

---

## **Caution**

---

**Proper handling care should be taken when using the test fixture. Refrain from applying brute force, doing so could damage the fixture. Particularly the upper portion (where the DUT is mounted) of the test fixture, where all the sensitive parts have been accurately set and adjusted. Do not place the test fixture on top of a desk or any hard objects with its face down (reverse).**

**Agilent 16044A Test Fixture**

# **Operation and Service Manual**

**Seventh Edition**



Agilent Part No. 16044-90040

**May 2012**

Printed in Malaysia

---

## Notices

The information contained in this document is subject to change without notice.

This document contains proprietary information that is protected by copyright. All rights are reserved. No part of this document may be photocopied, reproduced, or translated to another language without the prior written consent of the Agilent Technologies.

Agilent Technologies Japan, Ltd.

Component Test PGU-Kobe

1-3-2, Murotani, Nishi-Ku, Kobe-shi, Hyogo, 651-2241 Japan

© Copyright 1998, 1999, 2000, 2003, 2012 Agilent Technologies Japan, Ltd.

---

## Manual Printing History

The manual's printing date and part number indicate its current edition. The printing date changes when a new edition is printed. (Minor corrections and updates that are incorporated at reprint do not cause the date to change.) The manual part number changes when extensive technical changes are incorporated.

December 1998 First Edition (part number: 16044-90000)

February 1999 Second Edition (part number: 16044-90010)

April 1999 Third Edition (part number: 16044-90020)

December 1999 Fourth Edition (part number: 16044-90020)

November 2000 Fifth Edition (part number: 16044-90030)

May 2003 Sixth Edition (part number: 16044-90040)

May 2012 Seventh Edition (part number: 16044-90040)

---

## Safety Summary

The following general safety precautions must be observed during all phases of operation, service, and repair of this instrument. Failure to comply with these precautions or with specific WARNINGS elsewhere in this manual may impair the protection provided by the equipment. In addition it violates safety standards of design, manufacture, and intended use of the instrument.

The Agilent Technologies assumes no liability for the customer's failure to comply with these requirements.

- **DO NOT Operate In An Explosive Atmosphere**

Do not operate the instrument in the presence of flammable gasses or fumes. Operation of any electrical instrument in such an environment constitutes a definite safety hazard.

- **Keep Away From Live Circuits**

Operating personnel must not remove instrument covers. Component replacement and internal adjustments must be made by qualified maintenance personnel. Do not replace components with the power cable connected. Under certain conditions, dangerous voltages may exist even with the power cable removed. To avoid injuries, always disconnect power and discharge circuits before touching them.

- **DO NOT Service Or Adjust Alone**

Do not attempt internal service or adjustment unless another person, capable of rendering first aid and resuscitation, is present.

- **DO NOT Substitute Parts Or Modify Instrument**

Because of the danger of introducing additional hazards, do not install substitute parts or perform unauthorized modifications to the instrument. Return the instrument to a Agilent Technologies Sales and Service Office for service and repair to ensure that safety features are maintained.

- **Dangerous Procedure Warnings**

Warnings, such as the example below, precede potentially dangerous procedures throughout this manual. Instructions contained in the warnings must be followed.

---

**WARNING**

---

**Dangerous voltages, capable of causing death, are presenting this instrument. Use extreme caution when handling, testing, and adjusting this instrument.**

---

## Certification

Agilent Technologies certifies that this product met its published specifications at the time of shipment from the factory. Agilent Technologies further certifies that its calibration measurements are traceable to the United States National Institute of Standards and Technology, to the extent allowed by the Institution's calibration facility, or to the calibration facilities of other International Standards Organization members.

---

## Warranty

This Agilent Technologies instrument product is warranted against defects in material and workmanship for a period corresponding to the individual warranty periods of its component products. Instruments are warranted for a period of one year. Fixtures and adapters are warranted for a period of 90 days. During the warranty period, Agilent Technologies will, at its option, either repair or replace products that prove to be defective.

For warranty service or repair, this product must be returned to a service facility designated by Agilent Technologies. Buyer shall prepay shipping charges to Agilent Technologies and Agilent Technologies shall pay shipping charges to return the product to Buyer. However, Buyer shall pay all shipping charges, duties, and taxes for products returned to Agilent Technologies from another country.

Agilent Technologies warrants that its software and firmware designated by Agilent Technologies for use with an instrument will execute its programming instruction when properly installed on that instrument. Agilent Technologies does not warrant that the operation of the instrument, or software, or firmware will be uninterrupted or error free.

---

## Limitation Of Warranty

The foregoing warranty shall not apply to defects resulting from improper or inadequate maintenance by Buyer, Buyer-supplied software or interfacing, unauthorized modification or misuse, operation outside the environmental specifications for the product, or improper site preparation or maintenance.

---

### **IMPORTANT**

No other warranty is expressed or implied. Agilent Technologies specifically disclaims the implied warranties of merchantability and fitness for a particular purpose.

---

## Exclusive Remedies

The remedies provided herein are buyer's sole and exclusive remedies. Agilent Technologies shall not be liable for any direct, indirect, special, incidental, or consequential damages, whether based on contract, tort, or any other legal theory.

---

## Assistance



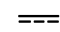





Product maintenance agreements and other customer assistance agreements are available for Agilent Technologies products.

For any assistance, contact your nearest Agilent Technologies Sales and Service Office. Addresses are provided at the back of this manual.

---

## Safety Symbol

General definitions of safety symbols used on the instrument or in manuals are listed below.

-  Instruction Manual symbol: the product is marked with this symbol when it is necessary for the user to refer to the instrument manual.
-  Alternating current.
-  Direct current.
-  On (Supply).
-  Off (Supply).
-  In position of push-button switch.
-  Out position of push-button switch.
-  Frame (or chassis) terminal. A connection to the frame (chassis) of the equipment which normally include all exposed metal structure.

---

### WARNING

**This warning sign denotes a hazard. It calls attention to a procedure, practice, condition or the like, which, if not correctly performed or adhered to, could result in injury or death to personnel.**

---

### CAUTION

This Caution sign denotes a hazard. It calls attention to a procedure, practice, condition or the like, which, if not correctly performed or adhered to, could result in damage to or destruction of part or all of the product.

---

### NOTE

Note denotes important information. It calls attention to a procedure, practice, condition or the like, which is essential to highlight.

---



---

# Contents

|   |    |
|---|----|
| <b>1. Overview</b>  |    |
| Product Overview . . . . .  | 10 |
| Contents . . . . .  | 11 |
| Functions . . . . .   | 12 |
| <b>2. Operation</b>   |    |
| Performing Open and Short Correction . . . . .                        | 16 |
| Connecting the 16044A . . . . .                                       | 16 |
| Performing Short Correction . . . . .                                 | 17 |
| Performing Open Correction . . . . .                                  | 18 |
| DUT Measurement . . . . .   | 19 |
| Cleaning . . . . .  | 21 |
| Cleaning Points . . . . .   | 21 |
| Cleaning Procedure . . . . .  | 22 |
| <b>3. Specifications and Supplemental Performance Characteristics</b> |    |
| Specifications . . . . .  | 24 |
| Supplemental Performance Characteristics . . . . .                    | 25 |
| Additional Errors . . . . .   | 25 |
| D Measurement . . . . .   | 27 |
| Rs (ESR) Measurement . . . . .  | 27 |
| Spring pressure . . . . .   | 27 |
| <b>4. Service</b>   |    |
| Maintenance . . . . .   | 30 |
| Replacable Parts for DUT Block Assembly . . . . .                     | 31 |
| Replacing the Measuring Block and Pin Adjustment . . . . .            | 38 |
| Preparing the Measuring Block . . . . .                               | 38 |
| Removing the Measuring Block . . . . .                                | 41 |
| Mounting the Measuring Block and Adjusting the Pin . . . . .          | 42 |





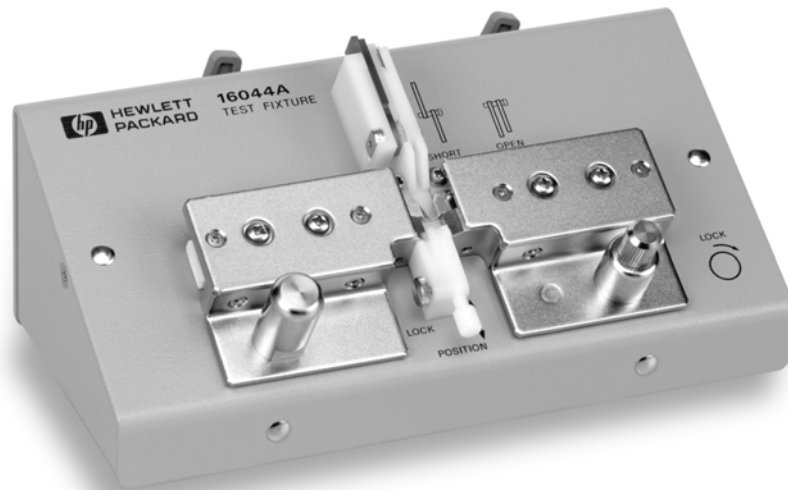
---

**1 Overview**

## Product Overview

The 16044A is a four-terminal test fixture designed for impedance measurements. Its precise measurement capabilities is adapted to evaluate low impedance components such as high value capacitor. Contact resistance produces an error in the D (dissipation factor) readings. In order to solve this problem, 16044A was designed to have a Kelvin (four terminal) contact, which ensures repeatable measurements for low impedance SMD L,C and R components. In addition , the 16044A is equipped with a mechanism that can easily perform Open and Short correction.

Figure 1-1 Product Overview



## Contents

Table 1-1 shows contents of the 16044A.

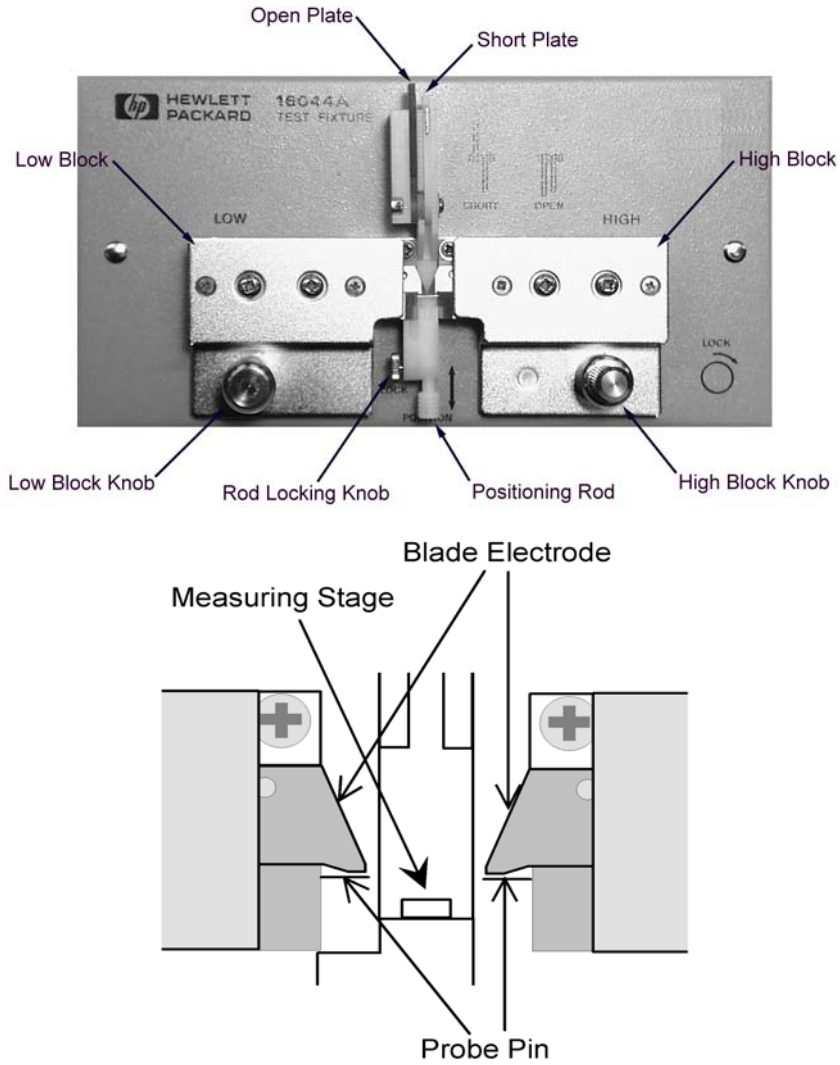
**Table 1-1**                      **Contents**

| Description                            | Part Number | Quantity |
|--|-------------|----------|
| 16044A Test Fixrure                    | 16044A      | 1        |
| Operation and Service Manual (English) | 16044-90030 | 1        |
| Cleaning Rod                           | 5182-7586   | 1        |

---

## Functions

Figure 1-2 16044A Parts



| <b>Parts</b>     | <b>FUNCTION</b>   |
|------------------|---|
| Open Plate       | Used for open correction measurement.   |
| Short Plate      | Used for open and short correction measurement.   |
| Low Block        | Connected to the $L_{CUR}$ , $L_{POT}$ terminals.   |
| High Block       | Connected to the $H_{CUR}$ , $H_{POT}$ terminals.   |
| Low Block Knob   | Use for lateral adjustments.  |
| High Block Knob  | Use for lateral adjustments, rotating the knob clockwise sets the block in a fix position.  |
| Positioning Rod  | Used for adjusting the stage height.  |
| Rod Locking Knob | Used for locking the positioning rod in a fix position.   |
| Blade Electrode  | Connects the DUT electrode with the probe pin. The Blade Electrode of each Low and High Blocks are connected to the $L_{POT}$ and $H_{CUR}$ respectively. |
| Probe Pin        | Connects the DUT electrode with the blade electrode. The Probe Pin of each Low and High Blocks are connected to the $L_{CUR}$ and $H_{POT}$ respectively. |
| Measuring Stage  | Where the DUT is mounted.   |



---

## 2 Operation

This chapter describes the proper methods for open and short correction and DUT measurement.



---

## Performing Open and Short Correction

To enhance measurement accuracy, open and short correction should be done before DUT measurement. The following procedure shows correction and measurement by the 16044A.

---

### CAUTION

Proper handling care should be taken when using the test fixture. Refrain from applying brute force, doing so could damage the fixture. Particularly the upper portion (where the DUT is mounted) of the test fixture, where all the sensitive parts have been accurately set and adjusted. Do not place the test fixture on top of a desk or any hard objects with its face down (reverse).

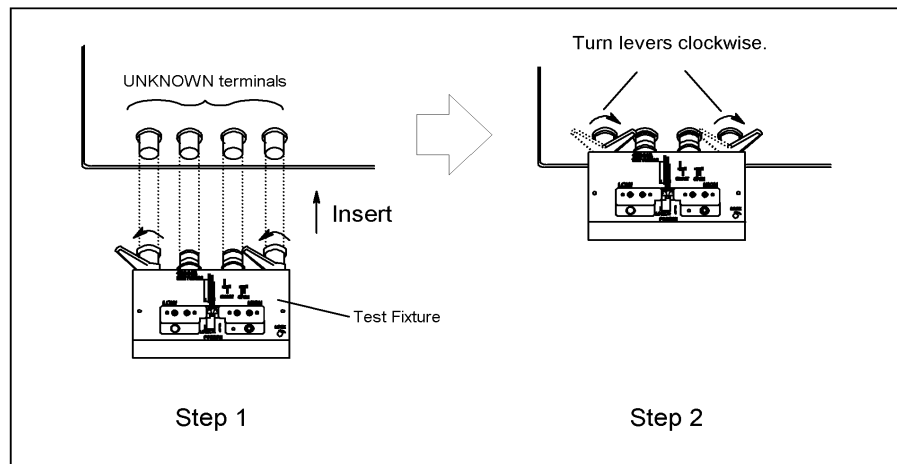
---

### Connecting the 16044A

1. Set the cable length setting of the measuring instrument at 0 m.
2. Connect the 16044A directly to the UNKNOWN terminals as shown in Figure 2-1.

Figure 2-1

### Connecting the 16044A



### Performing Short Correction

1. Refer to Figure 2-2(1), adjust the positioning rod to its minimum height by gently pulling it backwards.
2. Adjust the High Block to the right, giving space for the short plate before locking the horizontal knob.

**CAUTION**

If the High Block can not be adjusted to the right, Do Not to pull down the short plate. Doing so could damage the probe pin.

3. Move the Low Block to the left, hold to a position before pulling down the short plate. Pull down the short plate (Figure 2-2 (2)).

**CAUTION**

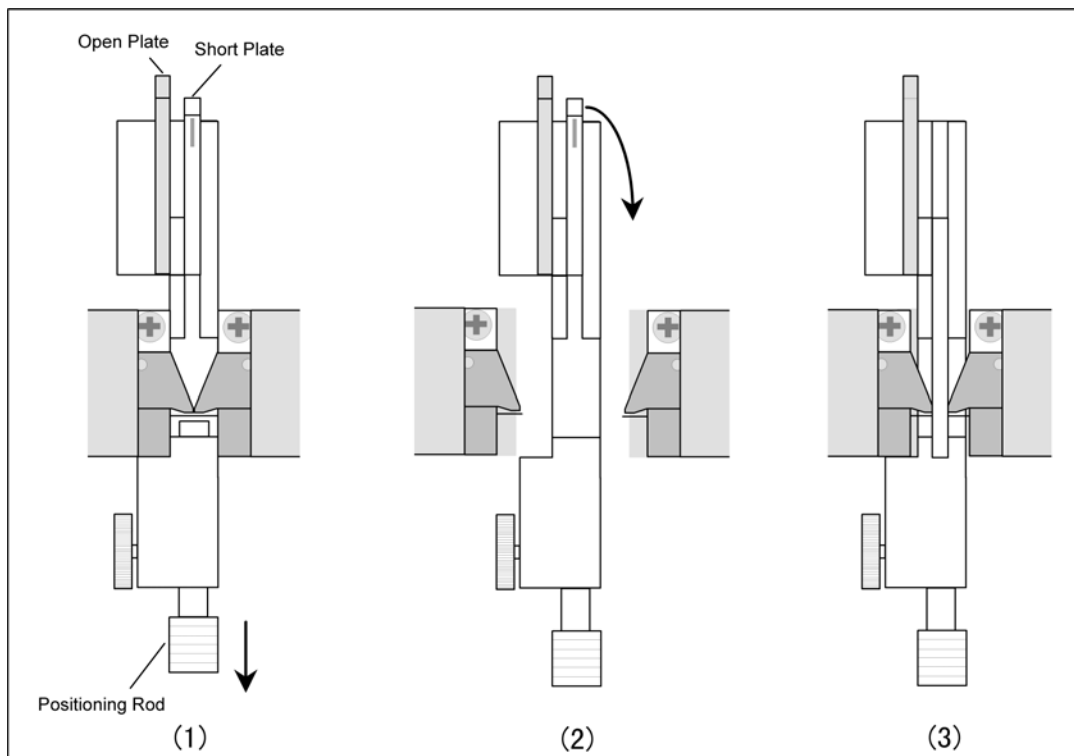
When operating the Low/High Block, take caution in applying force to the short plate. Sudden impact could damage the blade electrode and probe pin.

4. Connect the Low Block gently to the short plate.
5. Loosen the horizontal locking knob, connect the High Block slowly to the short plate.
6. Follow the directions in your manual when using the measuring instrument. Make sure that you perform the short correction (Figure 2-2 (3)).

**CAUTION**

During operation, with the High/Low Block connected to the short plate. Do Not attempt to move the short plate, doing so could damage the probe pin.

**Figure 2-2 Performing Short Correction**



### Performing Open Correction

1. Adjust the positioning rod to its minimum height by gently pulling it backwards.
2. Adjust the High Block to the right giving enough space for the short plate before locking the horizontal knob.
3. Move the Low Block to the left, hold to a position before pulling down the open plate (Figure 2-3(1)).

---

**CAUTION**

If the Low Block can not be adjusted to the left terminal, Do Not pull down the open plate. Doing so could damage the probe pin.

---

4. Connect the Low Block slowly to the open plate.

---

**CAUTION**

When operating the Low/High Block, take caution in applying force to the open and short plate. Sudden impact could damage the blade electrode and probe pin.

---

5. Slowly pull down the short plate (Figure 2-3(2)).
6. Loosen the horizontal locking knob, connect the High Block slowly to the short plate (Figure 2-3(3)).
7. Follow the directions in your manual when using the measuring instrument. Make sure that you perform the open correction.

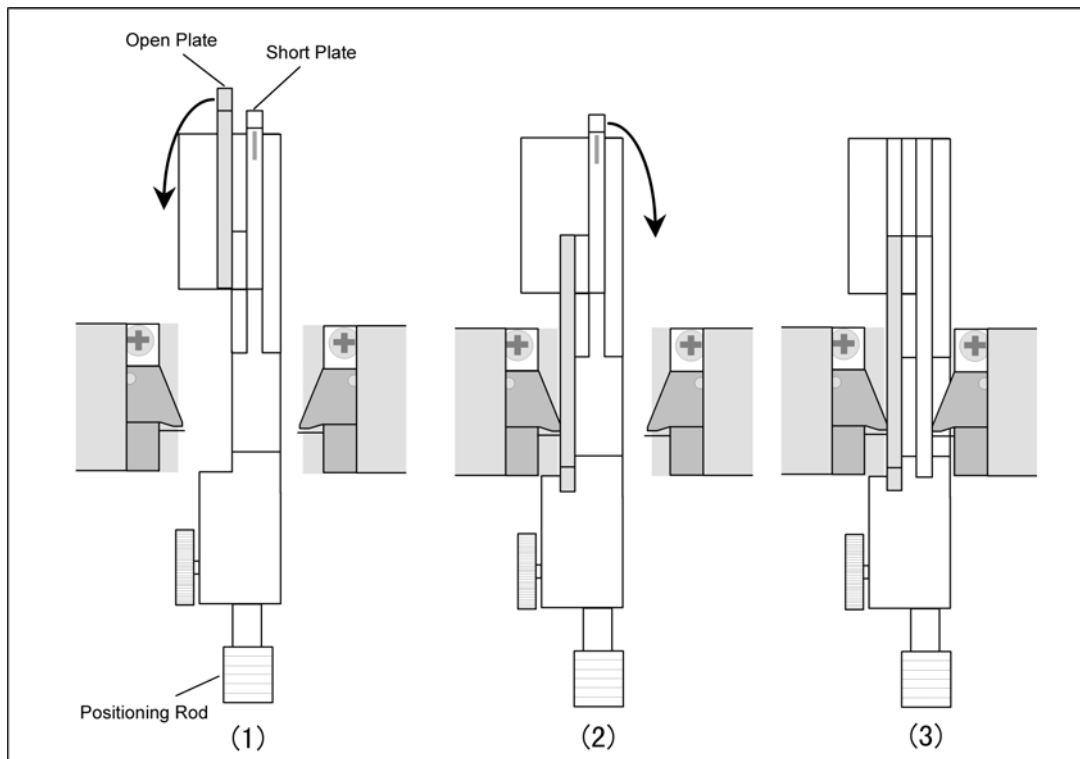
---

**CAUTION**

During operation, when the High/Low Block is connected to the open/short plate. Do Not attempt to move the open/short plate, doing so could damage the probe pin.

---

**Figure 2-3 Performing Open Correction**

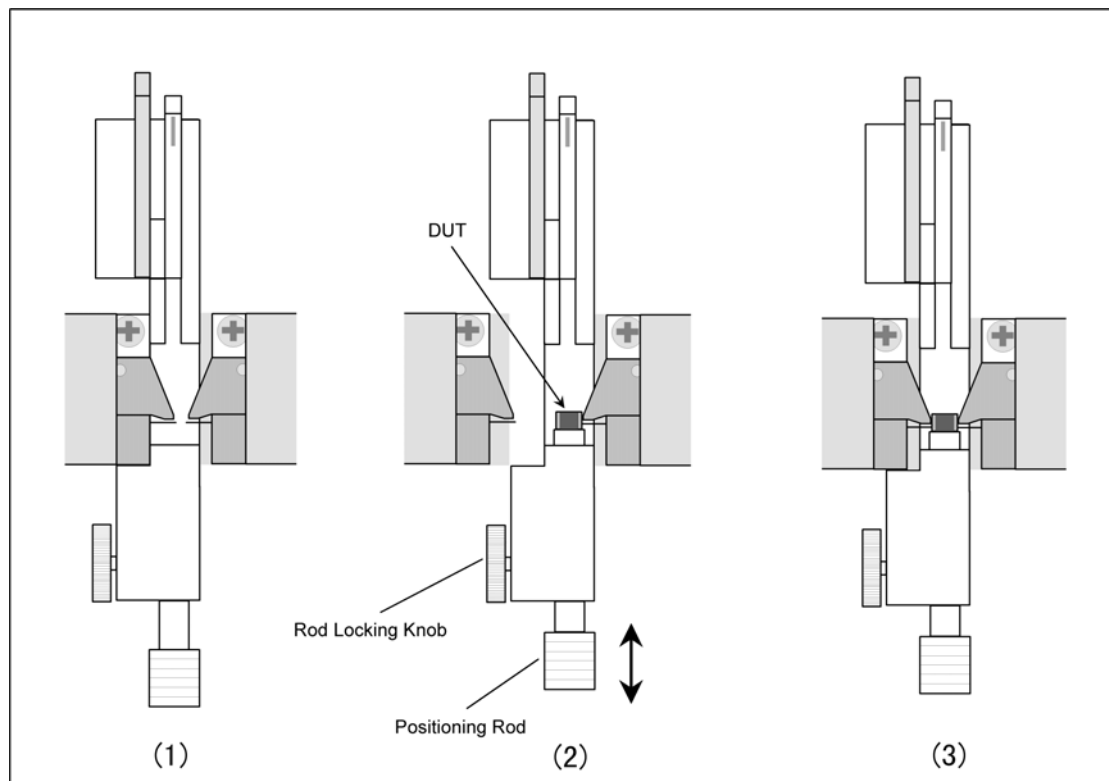


## DUT Measurement

Before performing DUT measurement, open and short corrections should be done as described in the previous sections.

1. Adjust the High Block in order to position the DUT at the center of the measuring stage, then tighten the high block knob (Figure 2-5(1)).
2. Adjust the Low Block to the left then hold to a position giving enough space before placing the DUT on the measuring stage. Mount the DUT on the measuring stage.
3. Adjust the positioning rod with respect to the DUT's size (Figure 2-5(2)).

Figure 2-4 Performing DUT Measurement



## Operation

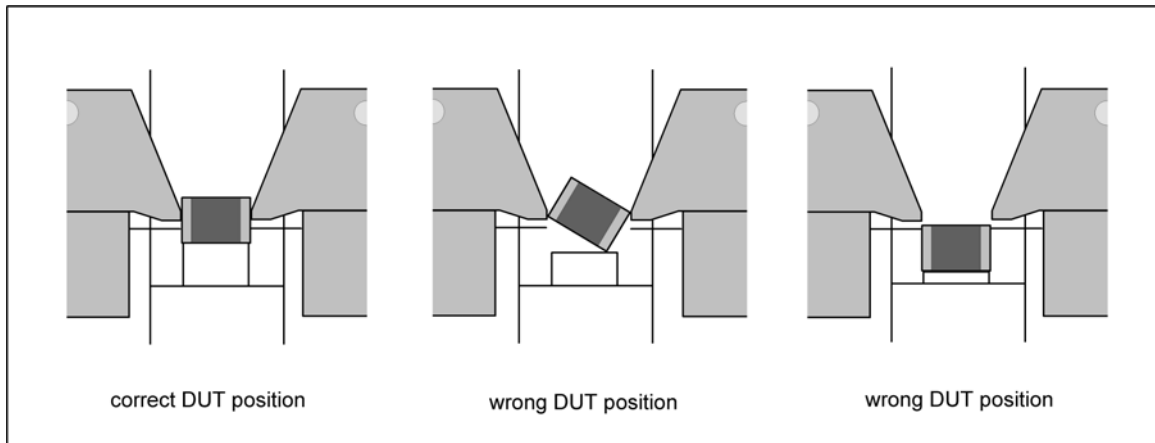
### DUT Measurement

---

**NOTE**

Make sure that proper adjustments are made to ensure accurate measurement. The DUT should be properly connected with the probe pin and blade electrode at four points (refer to Figure 2-5). Even if the DUT is too small use a magnifying lens to make sure that four points are in proper contact.

**Figure 2-5 Proper DUT Position**



- 
4. Tighten the rod locking knob.
  5. Slowly connect the Low Block's blade electrode to the DUT (Figure 2-5(3)).
  6. Follow the directions of the operating manual in doing the measurement.
  7. If you are going to measure another DUT of the same size, simply adjust the Low Block to the left and change the DUT without moving the High Block.

---

**NOTE**

Contact pressure could cause measurement variations in the DUT, when measuring ferrite inductor or multi-layer ceramic capacitors with high permittivity.

---

**NOTE**

In case the probe pin got damaged use the provided probe pin with part number 42110A (probe pin × 4). Replacement procedure is listed on "Chapter 4 Service".

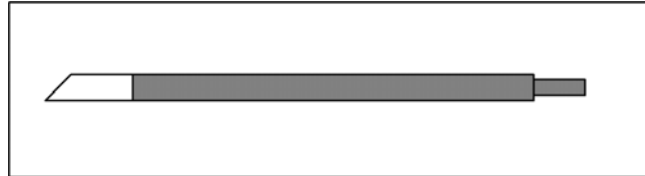
---

## Cleaning

To keep higher reliability and better measurements, regular cleaning of the following points with the furnished cleaning rod (Agilent Part Number 5182-7586) is recommended.

Figure 2-6

Cleaning rod



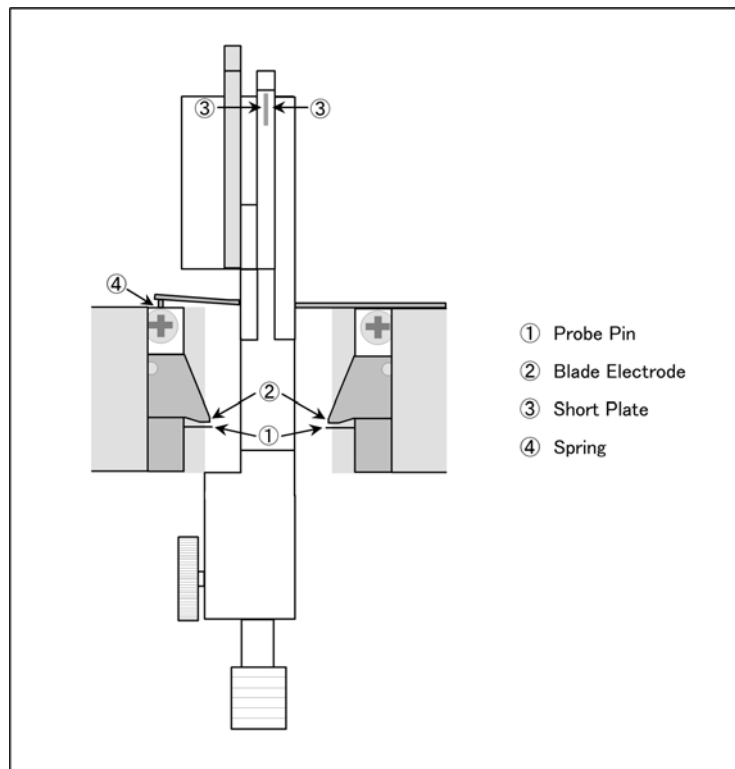
## Cleaning Points

Figure 2-7 shows required cleaning points.

- Probe Pin (1 of Figure 2-7, contact points of the DUT)
- Blade Electrode (2 of Figure 2-7, contact points of the DUT)
- Short Plate (3 of Figure 2-7, contact points of the Probe Pin and Blade Electrode)
- Spring (4 of Figure 2-7, contact point of the Low BLock)

Figure 2-7

Cleaning Points



### Cleaning Procedure

Scrub the dirt on the points shown in Figure 2-7 with the rubber (white) side of the cleaning rod. Particularly the probe pin, the plating of the DUT's electrode could stick to the probe pin. Take caution when cleaning the probe pin with the cleaning rod. The probe pin is very sensitive and could be damaged easily.

---

**NOTE**

Replace the probe pin if the dirt can not be removed. And use the provided probe pin with part number 42110A (probe pin × 4). Replacement procedure is listed on “Chapter 4 Service”.

---

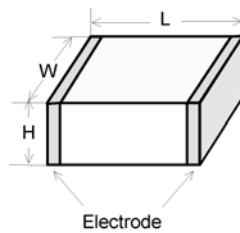
---

## **3 Specifications and Supplemental Performance Characteristics**

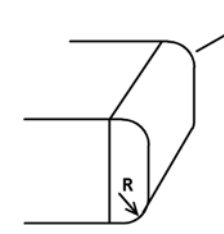
This chapter provides the specifications and supplemental performance characteristics of the 16044A test fixture.



## Specifications

|                            |  |   |
|----------------------------|--|---|
| Applicable Instruments     | LCR meters and Impedance Analyzers with four-terminals   |   |
| Applicable DUT Type        | SMD(surface mount device) or chip components   |   |
| Applicable DUT Size        |  $0.8\text{mm} \leq H \leq 3.0\text{mm}$<br>$0.8\text{mm} \leq W \leq 8.0\text{mm}$<br>$1.0\text{mm} \leq L \leq 8.0\text{mm}$ |   |
| Frequency                  | $\leq 10\text{MHz}$  |   |
| DC Bias                    | $\pm 40\text{V}$ Maximum   |   |
| Operating Environment      | temp.  | $0^{\circ}\text{C}$ to $+55^{\circ}\text{C}$              |
|                            | humidity   | 15% to 95%RH( @ wet bulb temp. $<40^{\circ}\text{C}$ )    |
| Non Operating Environment. | temp.  | $-40^{\circ}\text{C}$ to $+70^{\circ}\text{C}$            |
|                            | humidity   | $\leq 90\%$ RH ( @ wet bulb temp. $<65^{\circ}\text{C}$ ) |
| Dimension                  | 160 (W) $\times$ 70 (H) $\times$ 98 (D) mm   |   |
| Weight                     | 550g   |   |

### NOTE

|   |  |
|---|--|
|  | <p>In using the stage, the electrode of the DUT must be in contact at an angle (R) less than or equal to 0.4mm.If not the probe pin may not be able to measure the DUT properly.</p> |
|---|--|

## Supplemental Performance Characteristics

This section provides useful data on the 16044A. These supplemental performance characteristics should not be considered specifications.

### Additional Errors

Additional errors are calculated as follows.

#### **|Z| Measurement**

Additional error  $Z_e$  [%] of the  $|Z|$  measurement is calculated by substituting the values in the table below into the following equation.

$$Z_e \text{ [%]} = \pm \{ A + (Z_s/Z_x + Y_o \times Z_x) \times 100 \}$$

where

|                    |  |
|--------------------|--|
| A [%]              | Additional Error ( Proportional Error) |
| $Z_s$ [ $\Omega$ ] | Short Repeatability (Impedance)        |
| $Y_o$ [S]          | Open Repeatability (Admittance)        |
| $Z_x$ [ $\Omega$ ] | Measured Value (Impedance)             |

#### **Without extension cable**

Applicable Instruments : 4192A, 4194A, 4263B, 4268A, 4278A, 4279A, 4284A, 4285A, 4294A, 4338B

|       |   |
|-------|---|
| $Z_s$ | $\{ 1.5 + 40 \times ( f / 10 ) \} \times 10^{-3} \text{ [}\Omega\text{]}$ |
| $Y_o$ | $\{ 1.5 + 200 \times ( f / 10 ) \} \times 10^{-9} \text{ [S]}$            |
| A     | $2 \times ( f / 10 )^2 \text{ [%]}$                                       |

where  $f$  is the measurement frequency (MHz).

#### **4194A (extension cable 1m)**

|       |   |
|-------|---|
| $Z_s$ | $\{ 3 + 80 \times ( f / 10 \text{ MHz} ) \} \times 10^{-3} \text{ [}\Omega\text{]}$ |
| $Y_o$ | $\{ 3 + 400 \times ( f / 10 ) \} \times 10^{-9} \text{ [S]}$                        |
| A     | $5 \times ( f / 10 )^2 \text{ [%]}$   |

where  $f$  is the measurement frequency (MHz).

**4285A, 4294A (extension cable 1m)**

|    |   |  |
|----|---|--|
| Zs |   | $\{3 + 80 \times (f / 10)\} \times 10^{-3} [\Omega]$     |
| Yo |   | $\{3 + 400 \times (f / 10)\} \times 10^{-9} [\text{nS}]$ |
| A  | $f \leq 5 \text{ MHz}$                  | $5 \times (f / 10)^2 [\%]$                               |
|    | $5 \text{ MHz} < f \leq 10 \text{ MHz}$ | $6 \times (f / 10) [\%]$                                 |

where f is the measurement frequency (MHz).

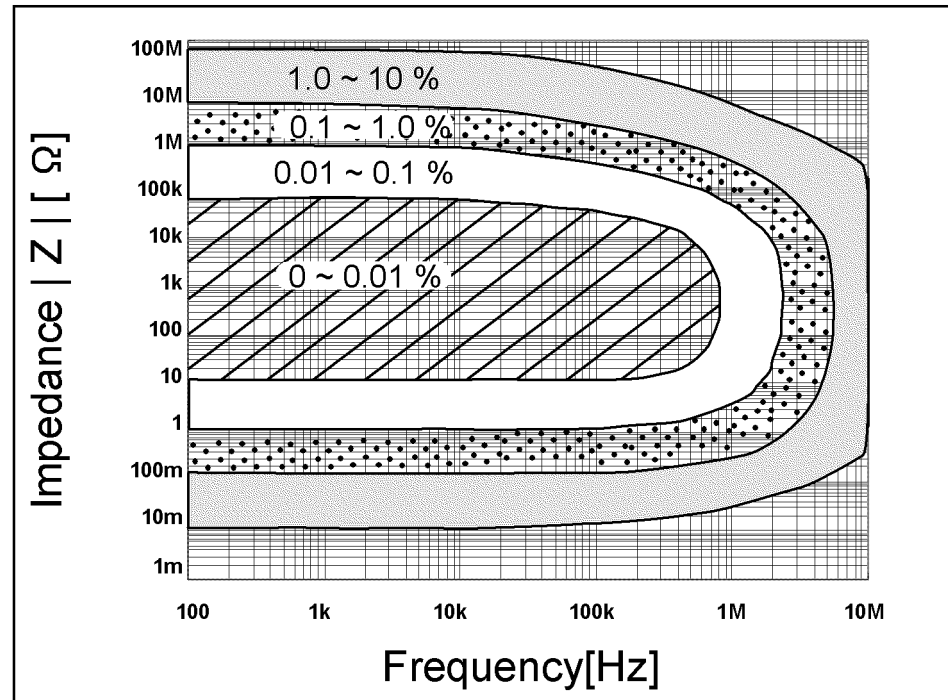
**4285A, 4294A (extension cable 2m)**

|    |   |  |
|----|---|--|
| Zs |   | $\{3 + 80 \times (f / 10)\} \times 10^{-3} [\text{W}]$   |
| Yo |   | $\{3 + 400 \times (f / 10)\} \times 10^{-9} [\text{nS}]$ |
| A  | $f \leq 5 \text{ MHz}$                  | $7 \times (f / 10)^2 [\%]$                               |
|    | $5 \text{ MHz} < f \leq 10 \text{ MHz}$ | $6 \times (f / 10) [\%]$                                 |

where f is the measurement frequency (MHz).

**Figure 3-1**

**Additional Error of the |Z| measurement**



### D Measurement

Additional error  $D_e$  of the D measurement is calculated by additional error  $Z_e$  [%] of |Z| measurement as follows.

If  $D_x \leq 0.1$ :

$$D_e = Z_e / 100$$

If  $0.1 < D_x \leq 0.5$

$$D_e = (Z_e / 100) \times (1 + D_x)$$

where  $D_x$  is the measured value of D. It is necessary for  $Z_e$  to be below 10 %.

**NOTE**

D is not expressed as a percentage but as an absolute value.

### Rs (ESR) Measurement

Additional error  $R_{se}$ [%] of the  $R_s$  measurement is calculated by additional error  $Z_e$  [%] of |Z| measurement as follows.

If  $D_x \leq 0.1$ :

$$R_{se} [\%] = Z_e / D_x$$

If  $0.1 < D_x \leq 0.5$

$$R_{se} [\%] = (Z_e / D_x) \times \sqrt{(1 + D_x^2)}$$

$D_x$  is the measured value of D and is calculated as follows.

$$D_x = 2 \times \pi \times f \times C_{sx} \times R_{sx}$$

where

f: measurement signal frequency

$C_{sx}$ : measured value of  $C_s$

$R_{sx}$ : measured value of  $R_s$ ,

### Spring pressure

|                 |   |
|-----------------|---|
| Spring Pressure | 140 g ± 30 [g] (applicable short measurement) |
|-----------------|---|

Specifications and Supplemental Performance Characteristics  
**Supplemental Performance Characteristics**

---

## **4** **Service**

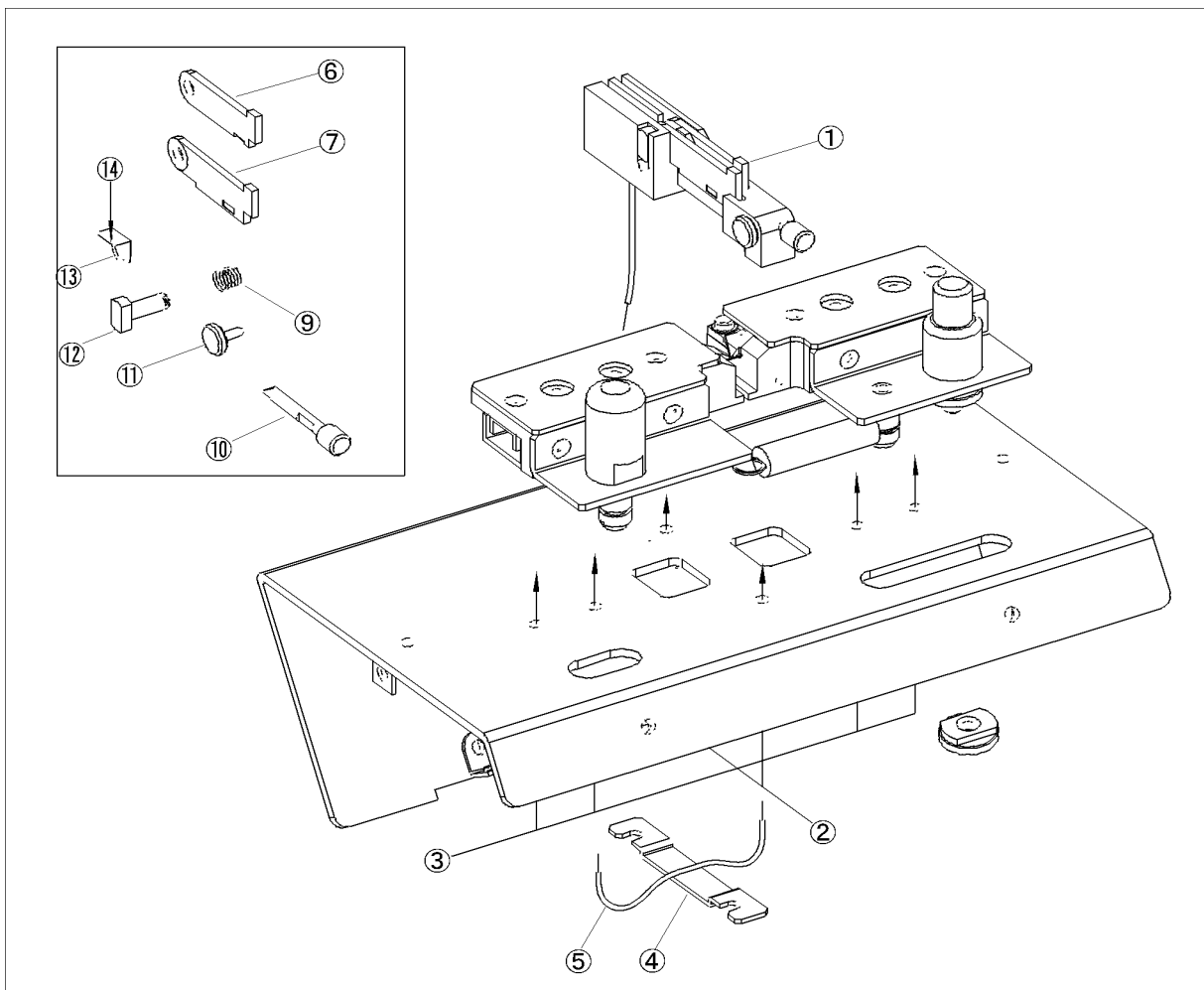
This chapter provides information on servicing and proper maintenance.

## Maintenance

Check the parts number of all replaceable parts as provided in the tables and figures listed below. Do not attempt to disassemble any parts that is not included in the figure.

The tables and figures below show and list the replaceable parts for the 16044A. The parts listed can be ordered from your nearest Agilent Technologies Sales and Service Office. Ordering information must include the Agilent part number and the quantity required.

**Figure 4-1**      **Replaceable Parts for DUT Block Assembly**

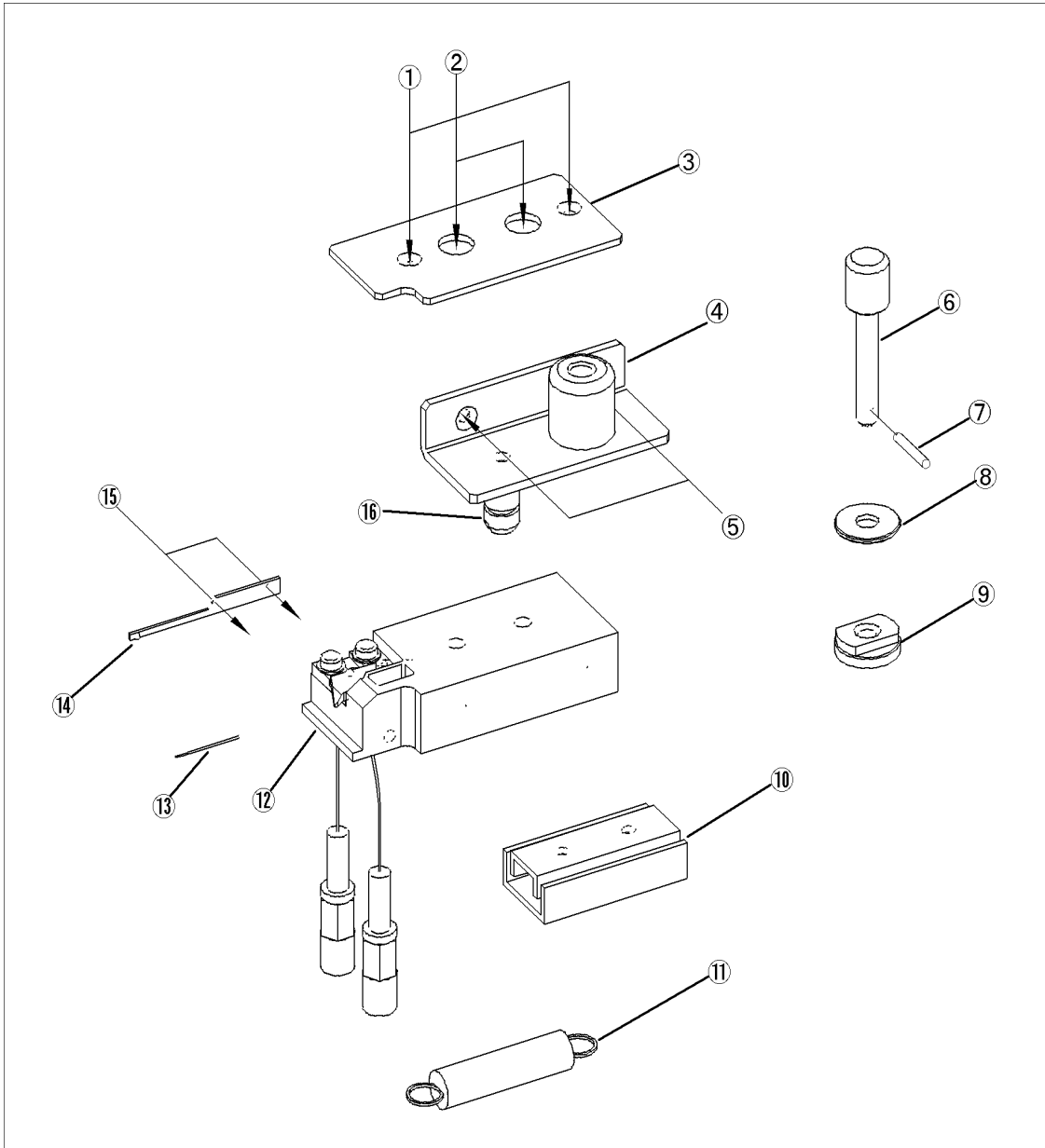


**Replacable Parts for DUT Block Assembly**

| Reference Designator | Part No.    | Qty. | Description                    |
|----------------------|-------------|------|--------------------------------|
| 1                    | 16044-65003 | 1    | DUT Block Assy (includes 6~15) |
| 2                    | 0515-1550   | 2    | Screw                          |
| 3                    | 0515-0924   | 4    | Screw                          |
| 4                    | 16044-00605 | 1    | Angle                          |
| 5                    | 16044-61604 | 1    | Wire Assy                      |
| 6                    | 16044-65004 | 1    | Plate:Short                    |
| 7                    | 16044-26501 | 1    | Plate:Open                     |
| 9                    | 16044-08003 | 1    | Spring                         |
| 10                   | 16044-25002 | 1    | Positioning Rod                |
| 11                   | 16044-24012 | 1    | Rod Locking Knob               |
| 12                   | 16044-24005 | 1    | Shaft                          |
| 13                   | 16044-00604 | 1    | Contact                        |
| 14                   | 0515-1872   | 1    | Screw                          |
| 15                   | 16044-61603 | 1    | Wire                           |



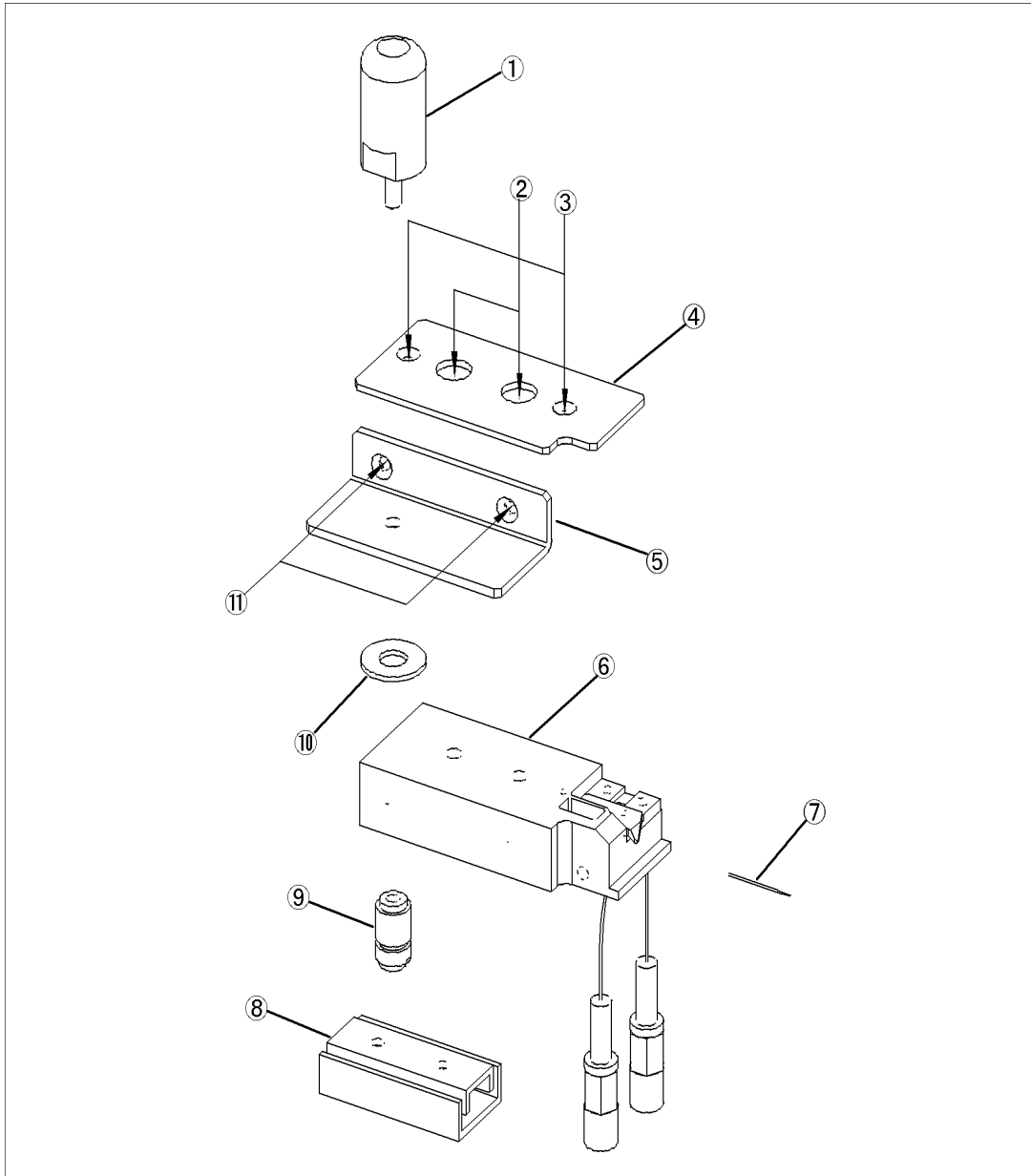
Figure 4-2 (Right) Replacable Parts for High Block Assembly



**Replacable Parts for High Block Assembly**

| <b>Reference Designator</b> | <b>Part No.</b> | <b>Qty.</b> | <b>Description</b>             |
|-----------------------------|-----------------|-------------|--------------------------------|
| 1                           | 0515-0952       | 2           | Screw                          |
| 2                           | 0515-0924       | 2           | Screw                          |
| 3                           | 16044-04003     | 1           | Top Cover                      |
| 4                           | 16044-04005     | 1           | L - Cover                      |
| 5                           | 0515-0952       | 2           | Screw                          |
| 6                           | 16044-24004     | 1           | Knob                           |
| 7                           | 1480-0815       | 1           | Spring Pin                     |
| 8                           | 3050-1983       | 1           | Washer                         |
| 9                           | 16044-24010     | 1           | Nut                            |
| 10                          | 1494-0078       | 1           | Slide Unit                     |
| 11                          | 1460-2409       | 1           | Spring                         |
| 12                          | 16004-65006     | 1           | Right Meas Block (includes 13) |
| 13                          | 1253-0549       | 1           | Probe Pin                      |
| 14                          | 16044-08001     | 1           | Spring                         |
| 15                          | 0515-2421       | 2           | Screw                          |
| 16                          | 16044-24007     | 1           | Nut                            |

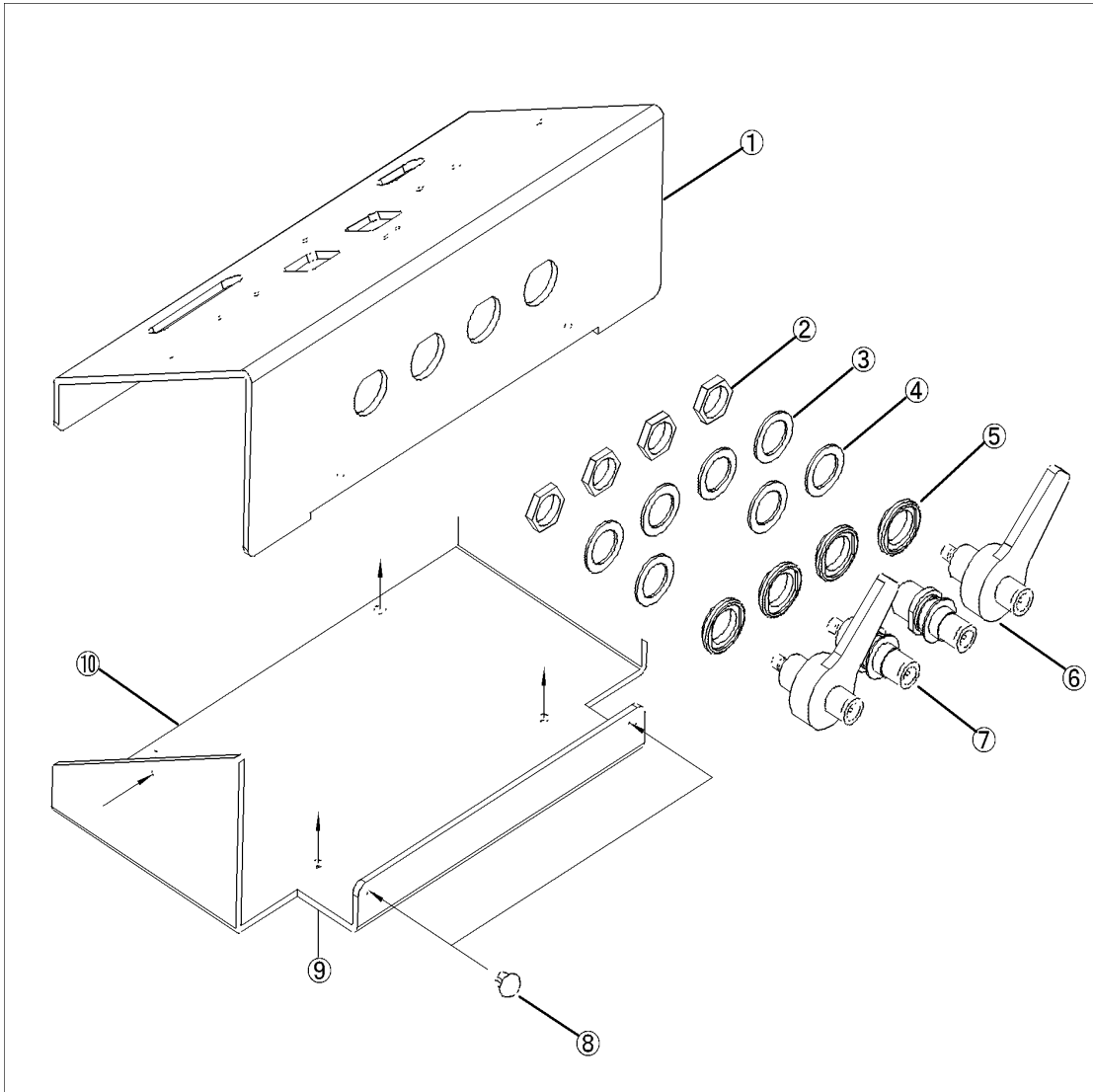
Figure 4-3 (Left) Replacable Parts for Low Block Assembly



**Replacable Parts for Low Block Assembly**

| <b>Reference Designator</b> | <b>Parts No.</b> | <b>Qty.</b> | <b>Description</b>           |
|-----------------------------|------------------|-------------|------------------------------|
| 1                           | 16044-24011      | 1           | Standoff                     |
| 2                           | 0515-0924        | 2           | Screw                        |
| 3                           | 0515-0952        | 2           | Screw                        |
| 4                           | 16044-04004      | 1           | Upper Cover                  |
| 5                           | 16044-04006      | 1           | L - Cover                    |
| 6                           | 16044-65007      | 1           | Meas Block Left (includes 7) |
| 7                           | 1253-0549        | 1           | Probe Pin                    |
| 8                           | 1494-0078        | 1           | Slide Unit                   |
| 9                           | 16044-24007      | 1           | Nut                          |
| 10                          | 3050-1984        | 1           | Washer                       |
| 11                          | 0515-0952        | 2           | Screw                        |

Figure 4-4 Replacable Parts for Cover Assembly



**Replacable Parts for Cover Assembly**

| <b>Reference Designator</b> | <b>Parts No.</b> | <b>Qty.</b> | <b>Description</b>              |
|-----------------------------|------------------|-------------|---------------------------------|
| 1                           | 16044-04001      | 1           | Top Cover                       |
| 2                           | N/A              | 4           | Nut (included in BNC connector) |
| 3                           | 3050-0067        | 4           | Washer                          |
| 4                           | 3050-0789        | 3           | Washer : PTFE                   |
| 5                           | 16047-40002      | 4           | Washer : Insulator              |
| 6                           | 16044-60002      | 2           | BNC Connector (with lever)      |
| 7                           | 1253-0476        | 2           | BNC Connector (w/o lever)       |
| 8                           | 6960-0016        | 2           | Plug Hole                       |
| 9                           | 0515-0914        | 6           | Screw                           |
| 10                          | 16044-04002      | 1           | Bottom Cover                    |

---

## Replacing the Measuring Block and Pin Adjustment

This section describes the procedures in replacing the measuring block.

Replacing the measuring block consists the following procedures: preparing the measuring block (new), removing the measuring block (old) and mounting the (new) measuring block and adjusting its pin. If you are going to replace the probe pin only the above procedures need not be followed.

Follow the procedures listed below when replacing the high block. The same procedure follows for the low block.

You need to use a pin adjuster (Agilent P/N 16044-65005) when adjusting the position of the probe pin. Also, it is recommended that you use a pin set, magnifying lens and the like in doing this adjustment.

### Preparing the Measuring Block

Insert the pin adjuster to the new measuring block.

1. Have the replaceable parts prepared.

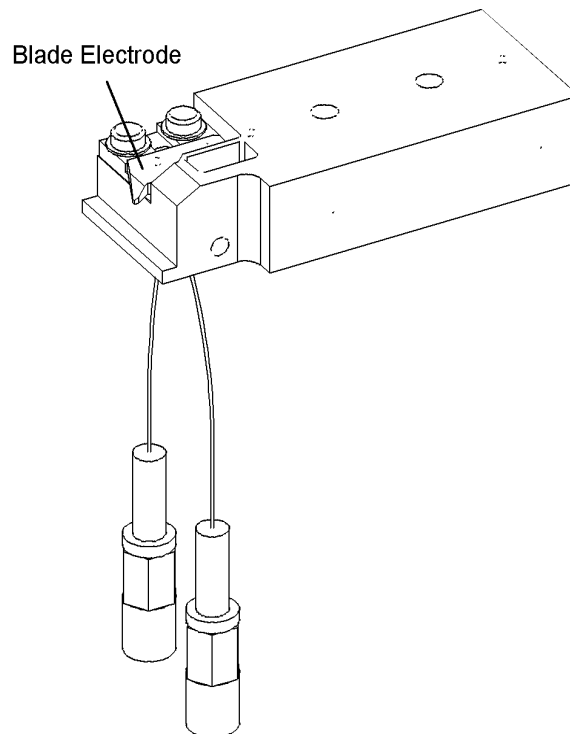
---

#### NOTE

The blade electrode of the new block has already been pre-adjusted. Do not loosen the screw that holds the blade electrode. Refrain from applying brute force.

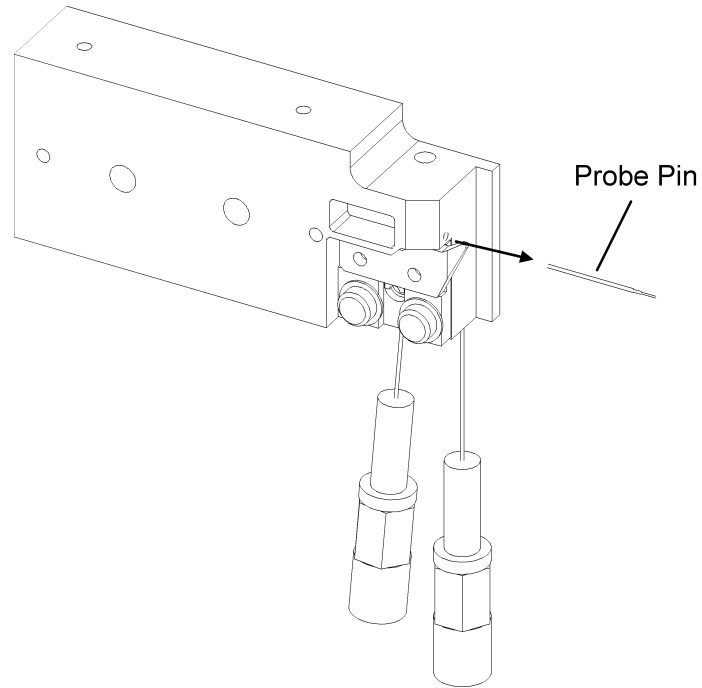
---

**Figure 4-5** Measuring block replacement (new High block)



2. Remove the probe pin from the measuring block with a pin set or tools alike.

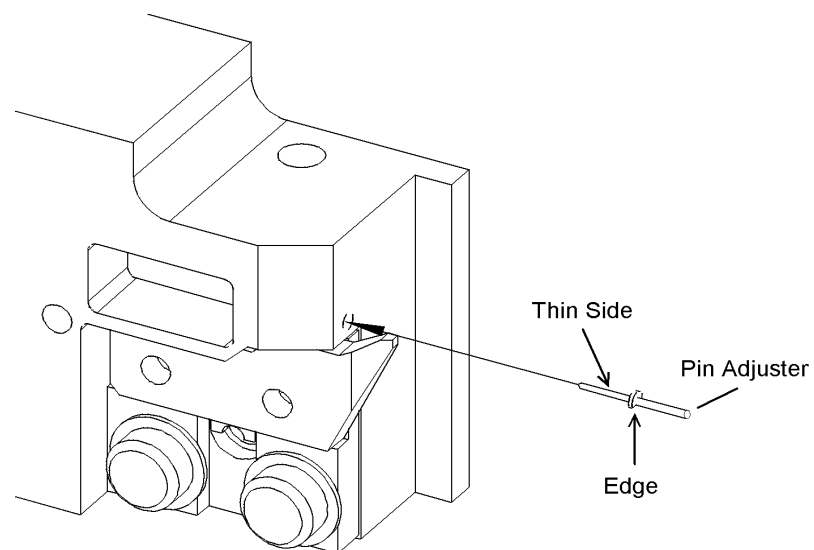
**Figure 4-6** Removing the probe pin



**NOTE** Do not bend or misplace the probe pin since it will be used later on.

3. Insert the thin side pin of the adjuster while observing its edge.

**Figure 4-7** Inserting the pin adjuster

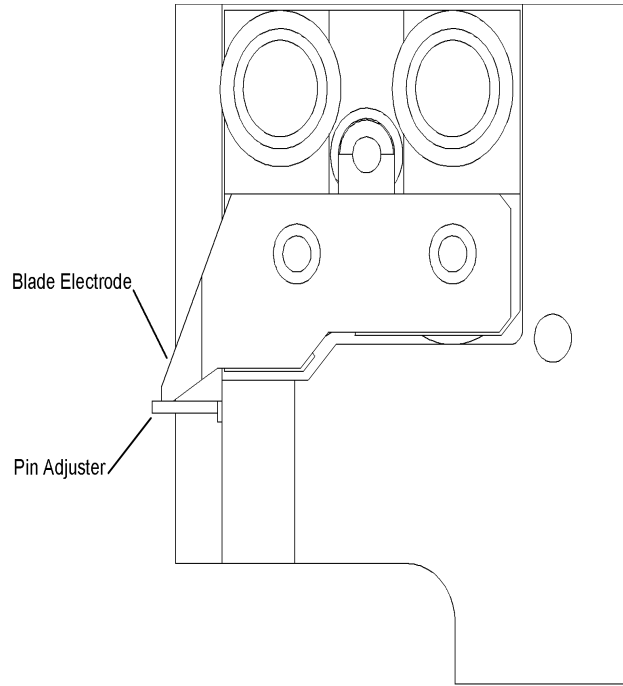




Service  
Replacing the Measuring Block and Pin Adjuster

4. Be sure there are no gaps between the pin adjuster and blade electrode.

**Figure 4-8**      **Checking the position of the pin adjuster**



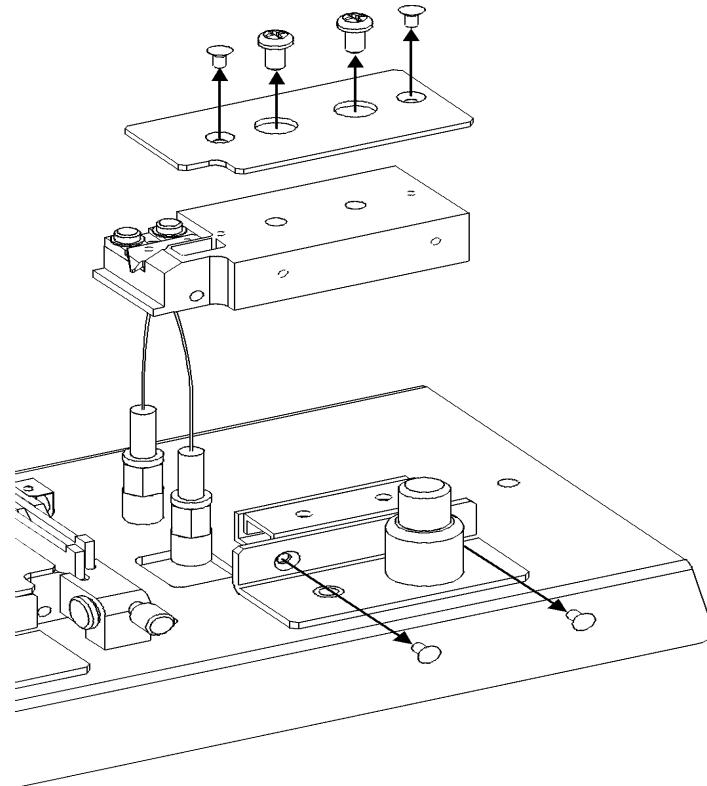
## Removing the Measuring Block

Remove the old block from the main unit (test fixture ).

1. Loosen the 6 screws from the main unit to remove the bottom cover.
2. Disconnect the shielded wires that connects the block from the BNC connector. Also, disconnect the lead wire from the block terminal.
3. Remove the screws holding the cover and measuring block.

Figure 4-9

### Removing the old block

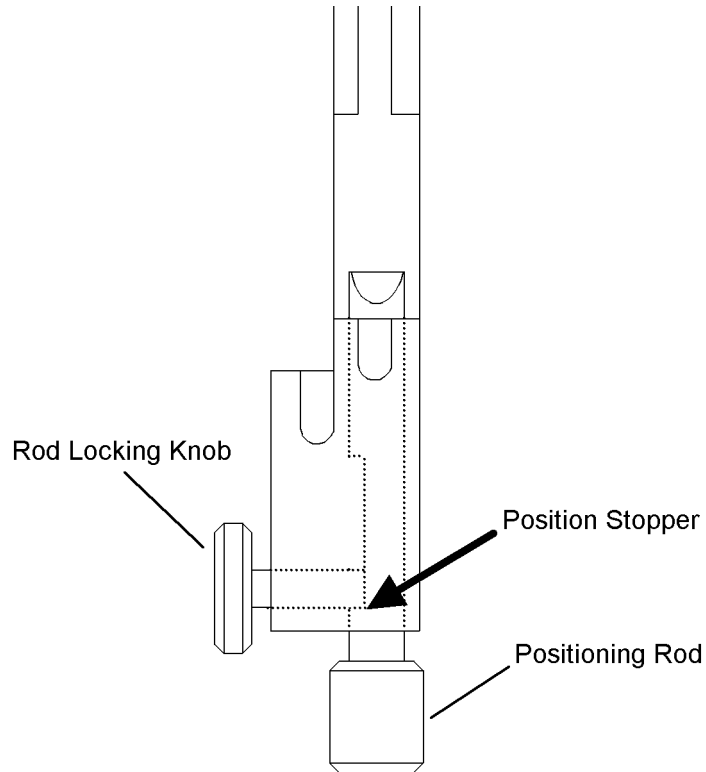


### Mounting the Measuring Block and Adjusting the Pin

Mount the measuring block to the main unit with the pin adjuster attached and adjust the position of the pin.

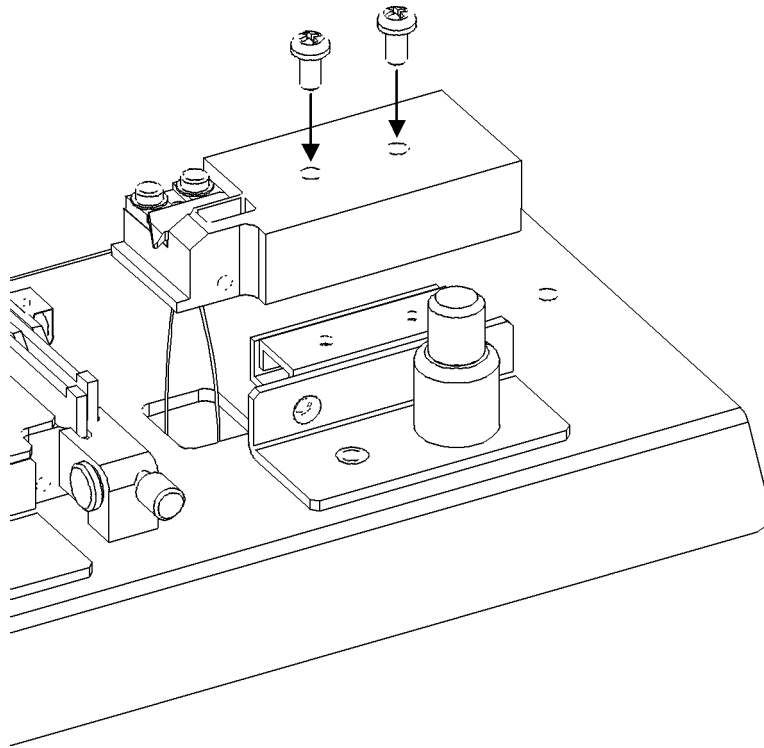
1. Loosen the rod locking knob.
2. As shown in figure 4-10 adjust the height of the positioning rod until it reaches the position stopper.

**Figure 4-10** Adjusting the height of the positioning rod



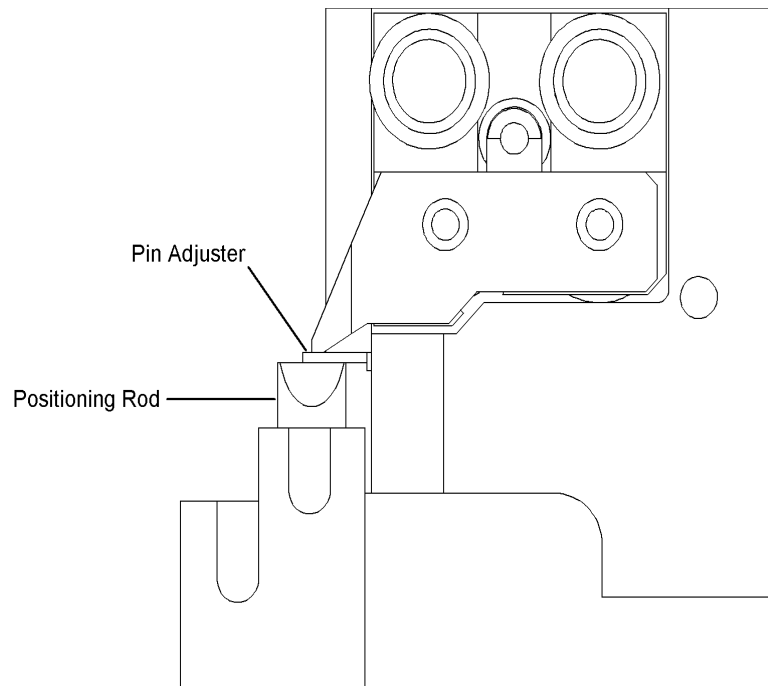
3. Tighten the rod locking knob.
- 4 As shown in figure 4-11 attach the measuring block to the unit, half-tight the 2 screws in order to adjust its position.

**Figure 4-11** Half-tight the measuring block



5. Adjust the position of the measuring block, such that there are no contact gaps between the pin adjuster and positioning rod.

**Figure 4-12** Adjusting the position of the block

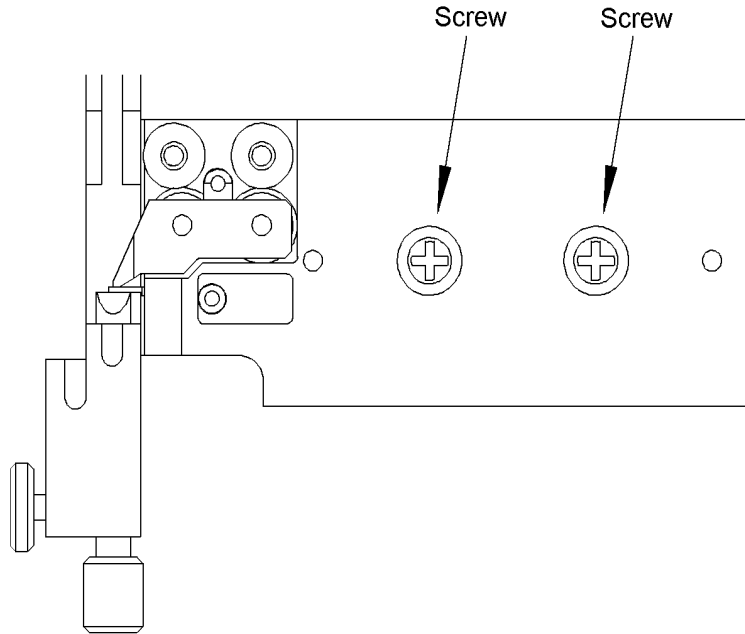


**Replacing the Measuring Block and Pin Adjustment**

6. Tighten the 2 screws to secure the measuring block. Make sure the block is in proper position such that there are no position gaps.

**Figure 4-13**

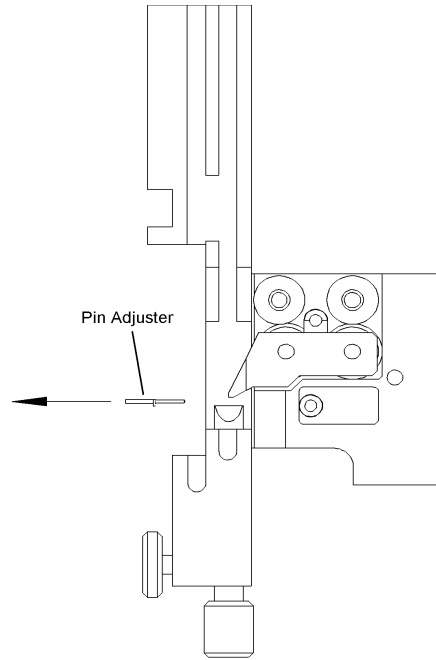
**Screwing the block**



7. Move the measuring block to its left and right sides. Check if there are no gaps between the positioning rod and the pin adjuster. The pin adjuster should not bump into the positioning rod.

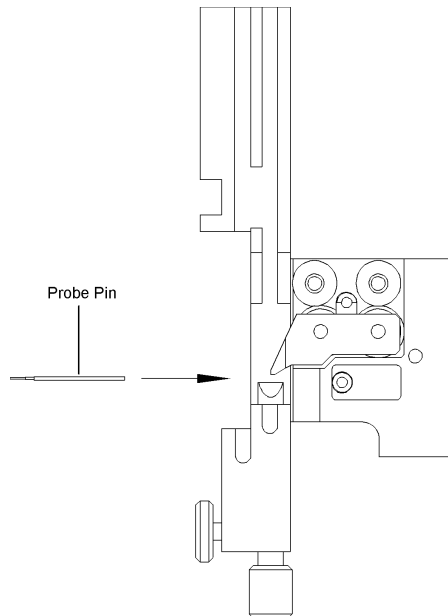
8. Move the measuring block to the right, then remove the pin adjuster.

**Figure 4-14** Removing the pin adjuster



9. Move the measuring block to the right, then insert the probe pin previously removed.

**Figure 4-15** Inserting the probe pin

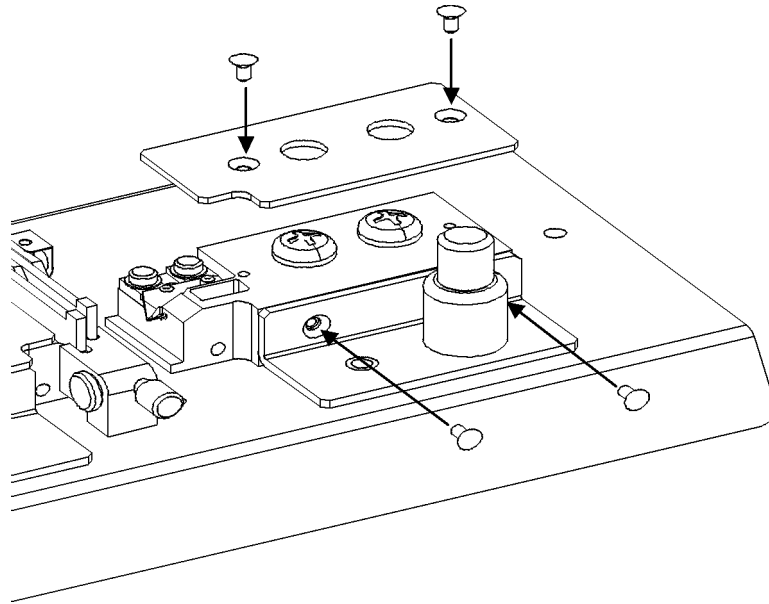


Service  
Replacing the Measuring Block and Pin Adjustment

10. Mount the cover on the block and tighten its screws.

Figure 4-16

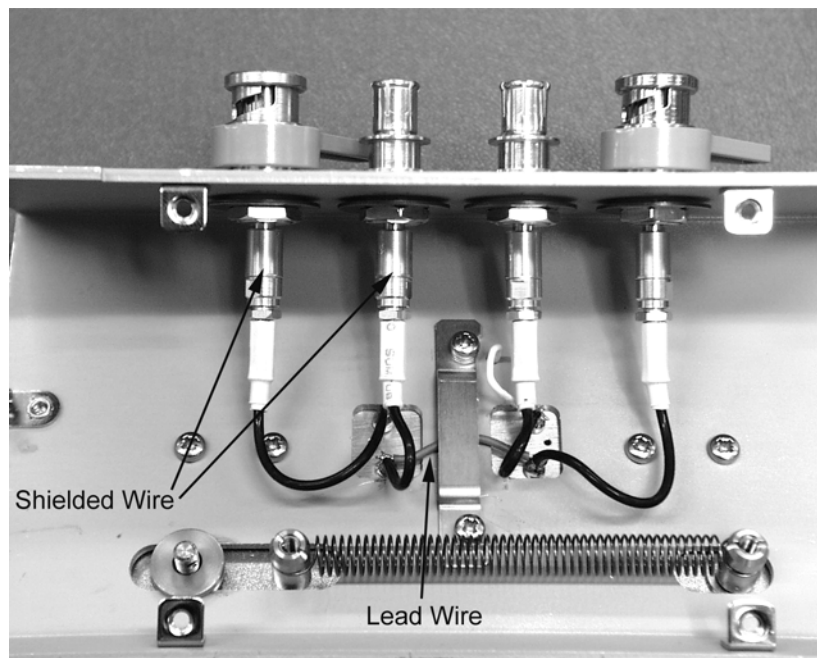
Mounting the cover



11. Connect the shielded wires of the block to the BNC connector. And resolder the lead wire to the terminal.

Figure 4-17

Connecting the lead and shielded wires



12. Attach the bottom cover and tighten its 6 screws to the main unit.

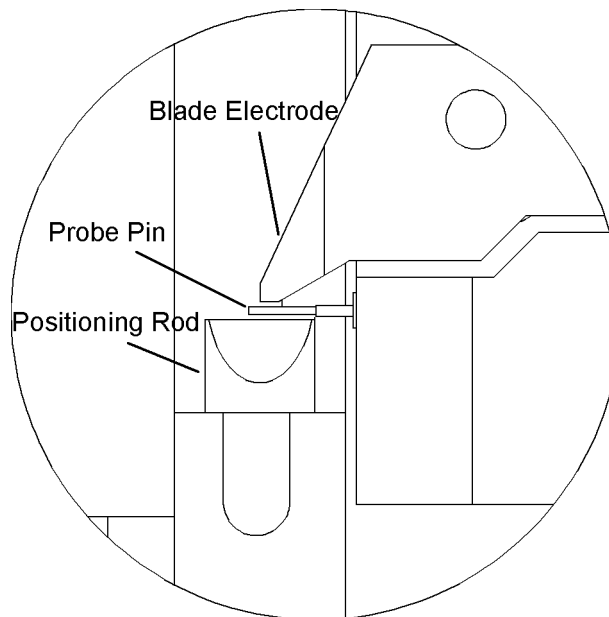
### Checking the pin position

The following guidelines are provided in determining the correct position of the probe pin.

- The probe pin should be leading the blade electrode by approximately 0.3mm.
- The spacing between the probe pin and blade electrode should be approximately 0.1 mm.
- The spacing between the probe pin and positioning rod should be approximately 0.1 mm.
- The probe pin should not be in contact with the positioning rod, even if the block is moved laterally.

Figure 4-18

### Magnifying the position of the probe pin





Service  
**Replacing the Measuring Block and Pin Adjustment**