

Keysight 16034G/H Test Fixture

Notices

© Keysight Technologies
1999-2017

No part of this manual may be reproduced in any form or by any means (including electronic storage and retrieval or translation into a foreign language) without prior agreement and written consent from Keysight Technologies, Inc. as governed by United States and international copyright laws.

Trademark Acknowledgments

Manual Part Number

16034-90100

Edition

Edition 5, January 2019

Printed in Malaysia

Published by:

Keysight Technologies International
Japan G.K,
1-3-3 Higashikawasaki-cho
Chuo-ku
Kobe-shi, Hyogo, Japan

Warranty

THE MATERIAL CONTAINED IN THIS DOCUMENT IS PROVIDED "AS IS," AND IS SUBJECT TO BEING CHANGED, WITHOUT NOTICE, IN FUTURE EDITIONS. FURTHER, TO THE MAXIMUM EXTENT PERMITTED BY APPLICABLE LAW, KEYSIGHT DISCLAIMS ALL WARRANTIES, EITHER EXPRESS OR IMPLIED WITH REGARD TO THIS MANUAL AND ANY INFORMATION CONTAINED HEREIN, INCLUDING BUT NOT LIMITED TO THE IMPLIED WARRANTIES OF MERCHANTABILITY AND FITNESS FOR A PARTICULAR PURPOSE. KEYSIGHT SHALL NOT BE LIABLE FOR ERRORS OR FOR INCIDENTAL OR CONSEQUENTIAL DAMAGES IN CONNECTION WITH THE FURNISHING, USE, OR PERFORMANCE OF THIS DOCUMENT OR ANY INFORMATION CONTAINED HEREIN. SHOULD KEYSIGHT AND THE USER HAVE A SEPARATE WRITTEN AGREEMENT WITH WARRANTY TERMS

COVERING THE MATERIAL IN THIS DOCUMENT THAT CONFLICT WITH THESE TERMS, THE WARRANTY TERMS IN THE SEPARATE AGREEMENT WILL CONTROL.

Technology Licenses

The hardware and/or software described in this document are furnished under a license and may be used or copied only in accordance with the terms of such license.

Declaration of Conformity

Declarations of Conformity for this product and for other Keysight products may be downloaded from the Web. Go to <http://www.keysight.com/go/conformity>. You can then search by product number to find the latest Declaration of Conformity.

U.S. Government Rights

The Software is "commercial computer software," as defined by Federal Acquisition Regulation ("FAR") 2.101. Pursuant to FAR 12.212 and 27.405-3 and Department of Defense FAR Supplement ("DFARS") 227.7202, the U.S. government acquires commercial computer software under the same terms by which the software is customarily provided to the public. Accordingly, Keysight provides the Software to U.S. government customers under its standard commercial license, which is embodied in its End User License Agreement (EULA), a copy of which can be found at

<http://www.keysight.com/find/sweula> The license set forth in the EULA represents the exclusive authority by which the U.S. government may use, modify, distribute, or disclose the Software. The EULA and the license set forth therein, does not require or permit, among other things, that Keysight: (1) Furnish technical information related to commercial computer software or commercial computer software documentation that is not customarily provided to the public; or (2) Relinquish to, or otherwise provide, the government rights in excess of these rights customarily provided to the public to use, modify, reproduce, release,

perform, display, or disclose commercial computer software or commercial computer software documentation. No additional government requirements beyond those set forth in the EULA shall apply, except to the extent that those terms, rights, or licenses are explicitly required from all providers of commercial computer software pursuant to the FAR and the DFARS and are set forth specifically in writing elsewhere in the EULA. Keysight shall be under no obligation to update, revise or otherwise modify the Software. With respect to any technical data as defined by FAR 2.101, pursuant to FAR 12.211 and 27.404.2 and DFARS 227.7102, the U.S. government acquires no greater than Limited Rights as defined in FAR 27.401 or DFARS 227.7103-5 (c), as applicable in any technical data.

Safety Notices

CAUTION

A **CAUTION** notice denotes a hazard. It calls attention to an operating procedure, practice, or the like that, if not correctly performed or adhered to, could result in damage to the product or loss of important data. Do not proceed beyond a CAUTION notice until the indicated conditions are fully understood and met.

WARNING

A **WARNING** notice denotes a hazard. It calls attention to an operating procedure, practice, or the like that, if not correctly performed or adhered to, could result in personal injury or death. Do not proceed beyond a WARNING notice until the indicated conditions are fully understood and met.

1 Service

This chapter provides information on servicing and proper maintenance.

Serial Number for Non-RoHS 16034G/H:
“MY44100001 – MY44199999”

Serial Number for RoHS 16034G/H:
“MY44200001 – MY44299999”

Maintenance

An exploded view of the 16034G/H for parts identification is shown in **Figure 1-1** and **Figure 1-2**. Do not disassemble any further than shown. Maintenance consists principally of cleaning contacts and replacing worn or damaged parts. Take special care when cleaning contacts.

To order parts, use the Keysight part numbers listed in **Table 1-1** and **Table 1-2**. If a faulty part is located in an assembly that cannot be disassembled, order the next higher assembly or return the fixture to the nearest Keysight Technologies Sales/Service Office for repair or replacement.

Shown are the supported parts and their respective RoHS compliant replacement support part. RoHS conversion involves with design and dimension change which result in the RoHS support part backward incompatible with non-RoHS 16034G/H. Special handling is needed while using the RoHS replacement part on non-RoHS 16034G/H. The original support part number is replaced by the respective “RoHS Compliant Replacement Part”. Once the original support part is depleted, please proceed to obtain the RoHS compliant support part.

NOTE

For RoHS Compliant Upper Level Assembly Replacement Part, if multiple parts are replaced by a common higher assembly part, only order ONE part of the higher level common assembly.

Replaceable Parts

Figure 1-1 Replaceable Parts (part 1 of 2)

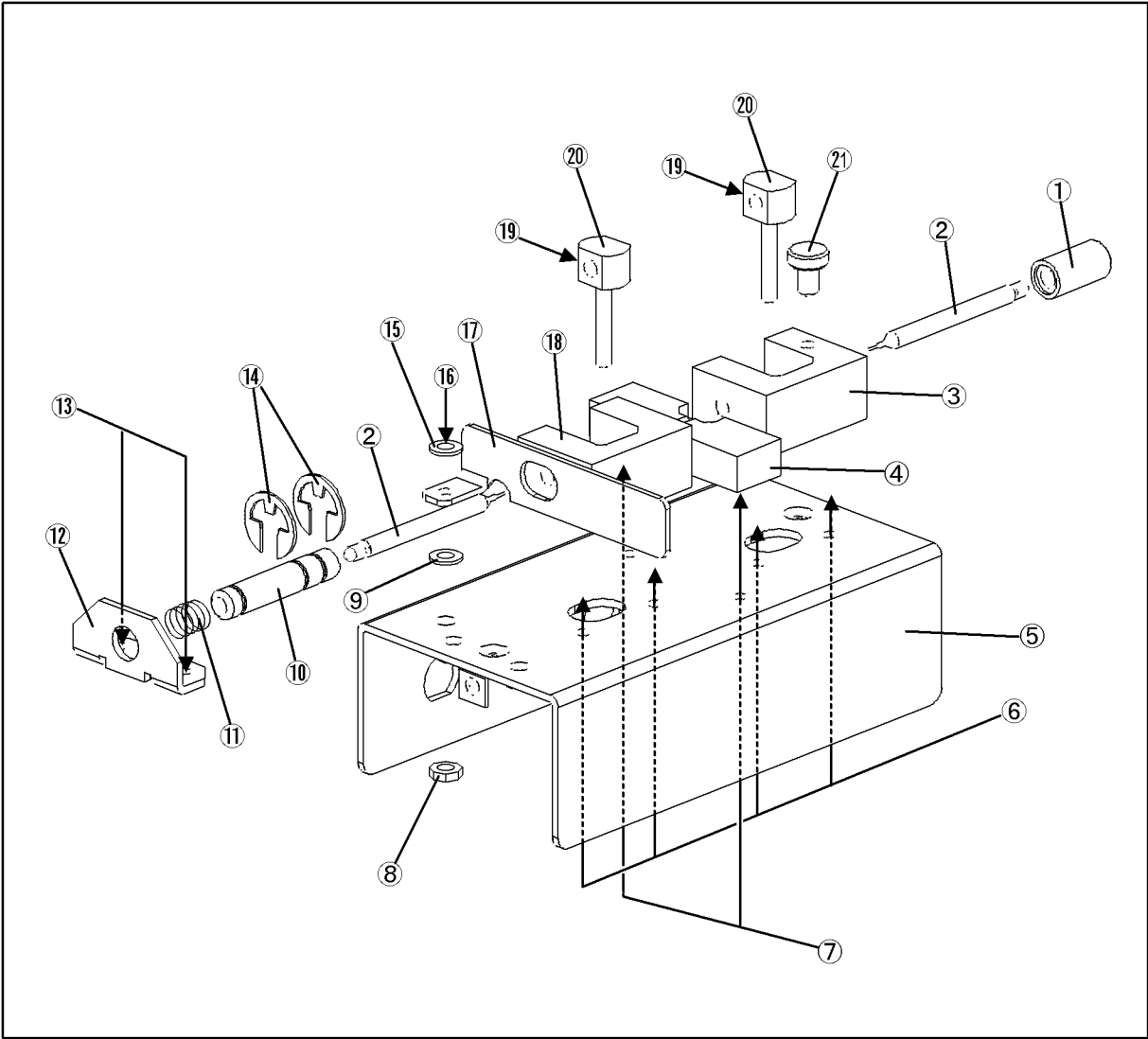


Table 1-1

Replaceable Parts (part 1 of 2)

Ref /D	Non-RoHS Part No.	Description	Qty	RoHS Compliant Replacement Part	Description	Qty
1	16034-25013	KNOB	1	16034-25013	KNOB	1
2	16034-24011 (16034-24051)	ELECTRODE (16034G)	2	16034-24651	ELECTRODE (16034G)	2
	16034-24011 (16034-24061)	ELECTRODE (16034H)	2	16034-24661	ELECTRODE (16034H)	2
3	16034-25011	BLOCK	1	^a Set change: 16034-25614 (16034G)	BLOCK (16034G)	1
				^b Set change: 16034-25621 (16034H)	BLOCK (16034H)	1
4	16034-25014	BLOCK (16034G)	1	^a Set change: 16034-25614 (16034G)	BLOCK (16034G)	1
	16034-25021	BLOCK (16034H)	1	^b Set change: 16034-25621 (16034H)	BLOCK (16034H)	1
5	16034-04011	COVER TOP (16034G)	1	16034-04611	COVER TOP (16034G)	1
	16034-04011 (16034-04021)	COVER TOP (16034H)	1	16034-04621	COVER TOP (16034H)	1
6	0515-1550	SCREW	4	0515-0372	SCREW	4
7	0515-1550	SCREW	2	0515-0372	SCREW	2
8	0535-0031	NUT-HEX W/LOCKER	1	0535-0031	NUT-HEX W/LOCKER	1
9	3050-1139	WASHER	1	3050-1139	WASHER	1
10	16034-25015	KNOB	1	16034-25015	KNOB	1
11	16034-08001	SPRING	1	16034-08001	SPRING	1
12	16034-01211	BRACKET	1	16034-01211	BRACKET	1
13	0515-1550	SCREW	2	0515-0372	SCREW	2

Table 1-1

Replaceable Parts (part 1 of 2)

Ref /D	Non-RoHS Part No.	Description	Qty	RoHS Compliant Replacement Part	Description	Qty
14	0510-0083	RETAINER	2	0510-0083	RETAINER	2
15	3050-0891	WASHER	1	3050-0891	WASHER	1
16	0515-0920	SCREW	1	0515-1141	SCREW	1
17	16034-05011	LEVER	1	16034-05011	LEVER	1
18	16034-25012	BLOCK	1	^a Set change: 16034-25614 (16034G)	BLOCK (16034G)	1
				^b Set change: 16034-25621 (16034H)	BLOCK (16034H)	1
19	3030-0007	SCREW	2	3030-0007	SCREW	2
20	16034-24012	PLUG	2	16034-24012	PLUG	2
21	16034-24014	SCREW	1	16034-24014	SCREW	1

- a. Replace all the associated parts marked with ^a as they are mutually dependent
b. Replace all the associated parts marked with ^b as they are mutually dependent

Figure 1-2 Replaceable Parts (part 2 of 2)

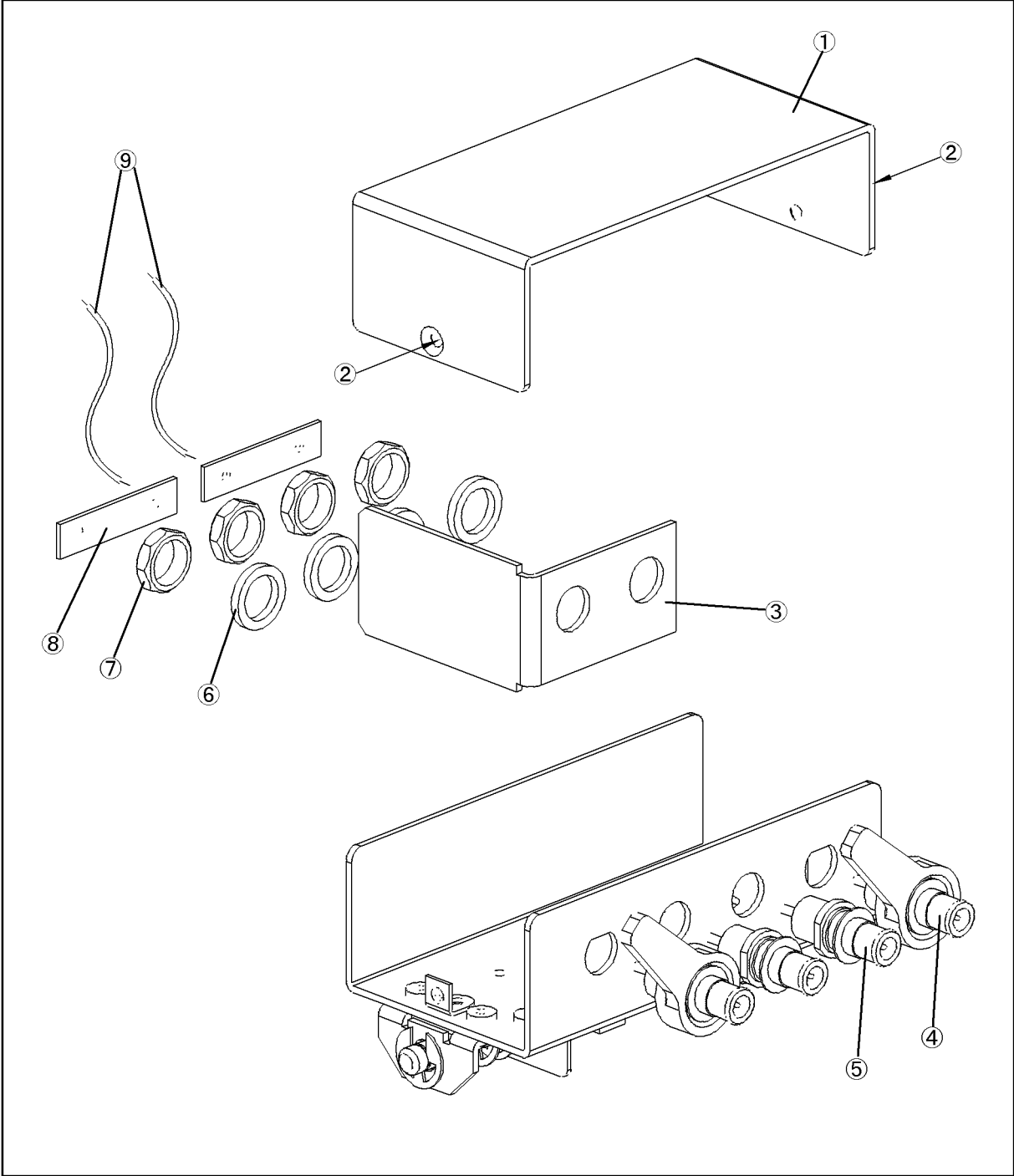


Table 1-2

Replaceable Parts (part 2 of 2)

Ref /D	Non-RoHS Part No.	Description	Qty	RoHS Compliant Replacement Part	Description	Qty
1	16034-04012	COVER BOTTOM	1	16034-04612 (Texture change)	COVER BOTTOM	1
2	0515-0914	SCREW	2	0515-1946	SCREW	2
3	16034-00601 (16034-01212)	PLATE-SHIELD	1	16034-01212	PLATE-SHIELD	1
4	16012-7122	BNC-ASSY	2	5012-8617 (Level color change)	BNC-ASSY	2
5	1250-1798 (16047-60016)	CONNECTOR -BNC	2	5012-8628	CONNECTOR -BNC	2
6	2190-0016	WASHER	4	2190-0016	WASHER	4
7	2950-0043	NUT-HEX-DBL-CHAM	4	2950-0043	NUT-HEX-DBL-CHAM	4
8	16047-00617	PLATE	2	16034-00617 (Do not mix non-RoHS with RoHS part. Replace both plates with RoHS part if one of the non-RoHS plate is defective.	PLATE	2
9	16034-68021	JUMPER WIRE (2 ea.)	1	16034-68021	JUMPER WIRE (2 ea.)	1

This information is subject to change without notice.
© Keysight Technologies 1999-2019
Edition 5, January 2019



16034-90100
www.keysight.com