

# Keysight Technologies M9352A PXI Hybrid Amplifier/Attenuator

## Product Fact Sheet

### Industries and Applications

- Aerospace and Defense
- Radar and Wideband Signal Capture
- Wireless Communications

### Product Description

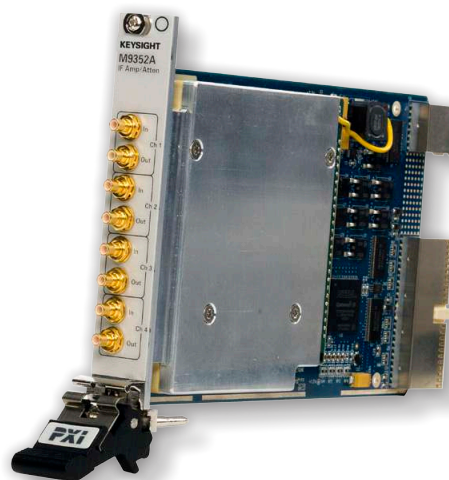
The Keysight Technologies, Inc. M9352A is a one-slot, 4-channel, PXI Hybrid IF Amplifier/Attenuator with 1 GHz analog bandwidth providing excellent IF signal conditioning for use in multi-channel modular solutions. Combine with the M9362A-D01 PXI Quad Downconverter, up to four M9202A IF Digitizers, and a local oscillator for wideband signal capture where multiple channels are required for applications such as multi-channel coherent signal analysis.

#### Models

M9352A	PXI Hybrid Amplifier/Attenuator Module
--------	--

### Main Features and Benefits

Product features	Your benefit
Frequency range	10 MHz to 1 GHz
Multiple programmatic interfaces	Easy integration into existing test environments and reduced development time
PXIe form-factor	Conforms to Modular Open Systems Approach (MOSA)



### Specifications and Characteristics

#### Hardware

Size	One-slot
Channels	4
Bandwidth	1 GHz analog
Attenuation Range	31.5 dB in .5 dB steps
Minimum Gain:	$\geq 5$ dB
Maximum Gain:	$\geq 36$ dB
Noise Figure	3 dB
Input TOI	+43 dBm

#### Chassis slot compatibility:

cPCI (J1), PXI-1, PXIe hybrid

## Software Information

The M9352A PXI Amplifier/Attenuator module is supplied with a comprehensive portfolio of module drivers, documentation, examples and software tools to help you quickly develop test systems with your software platform of choice.

A soft front panel interface is provided to monitor and control the amplifier/attenuator with the following functions:

- Setting gain values
- Monitoring hardware status

Operating systems	Microsoft Windows XP Microsoft Windows 7 (32/64-bit)
Keysight IO Libraries	Includes: VISA Libraries, Keysight Connection Expert, IO Monitor
Standard compliant drivers	IVI-COM, IVI-C, LabVIEW, MATLAB
Supported Application Development Environments (ADE)	VisualStudio (C/C++, C#, VB.NET), LabVIEW, LabWindows/CVI, MATLAB VEE

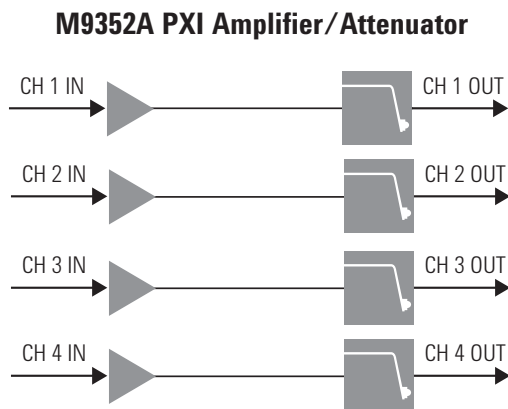


Figure 1. Block diagram of M9352A PXI 4-channel amplifier/attenuator module

PICMG and the PICMG logo, CompactPCI and the CompactPCI logo, AdvancedTCA and the AdvancedTCA logo are US registered trademarks of the PCI Industrial Computers Manufacturers Group. "PCIe" and "PCI EXPRESS" are registered trademarks and/or service marks of PC-SIG.



## Typical Product Configuration

Model	Description
M9352A PXI	Amplifier/Attenuator Module:

## Ordering Information

Related Products	
M9018A	18-slot PXIe Chassis
M9036A	PXIe Embedded PC Controller
M9202A	PXIe IF Digitizer: 12-bit, 2 GS/s (with options CO1, FO2, MO5, DDC)
M9202A-V05	50 MHz BW Streaming
M9202A-V10	100 MHz BW Streaming
M9302A	PXI Local Oscillator: 3 GHz to 10 GHz
M9362A-D01	PXIe Quad Downconverter: 10 MHz to 26.5 GHz
M9362AD01-CA1	IF Jumper Cables for use with 4-M9202A Single CH Digitizers
M9362AD01-CA2	IF Jumper Cables for use with 2-M9202A Dual CH Digitizers
M9362AD01-CA3	IF Jumper Cables for use with the M9210A
M9362AD01-CA4	LO Interconnect Kit for use with the M9302A

Accessories
Software and product information on CD (included)
SMB to SMA Cables (eight included)

## Keysight Modular Products

[www.keysight.com/find/modular](http://www.keysight.com/find/modular)

USA: (800) 829-4444

For more information on Keysight Technologies' products, applications or services, please contact your local Keysight office. The complete list is available at: [www.keysight.com/find/contactus](http://www.keysight.com/find/contactus)

This information is subject to change without notice.  
 © Keysight Technologies 2012-2014  
 Published in USA, August 2, 2014  
 5990-9899EN  
[www.keysight.com](http://www.keysight.com)