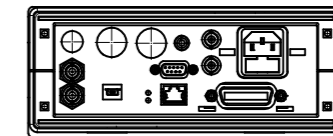
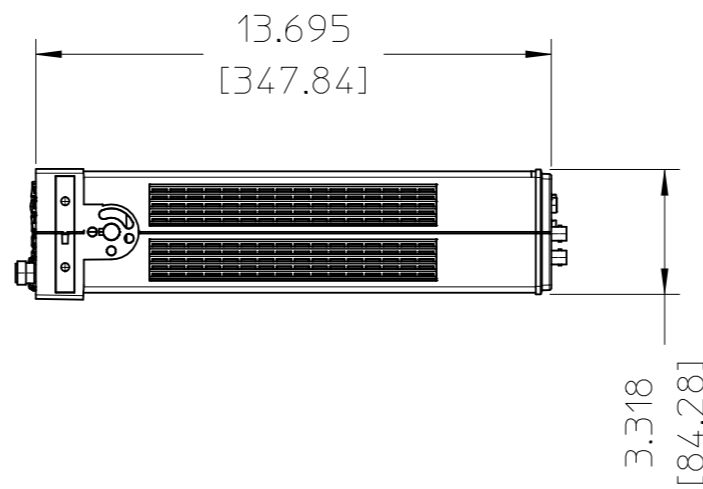
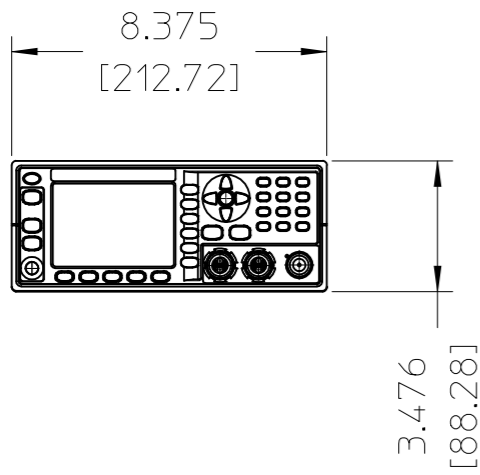
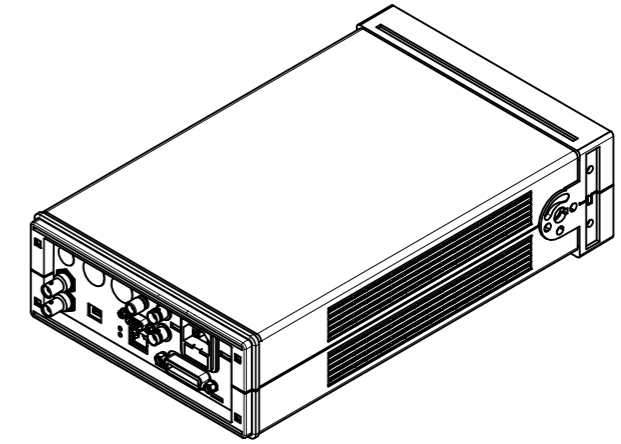
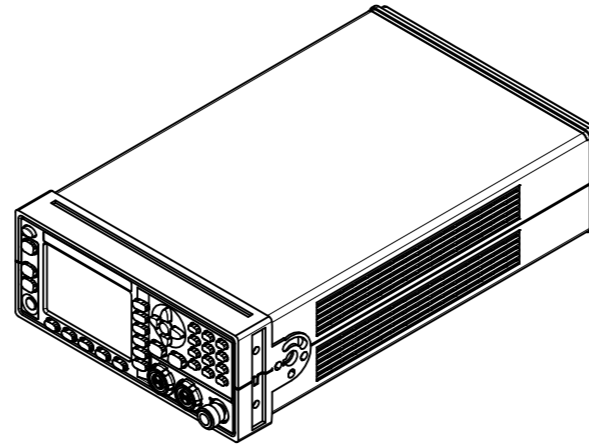
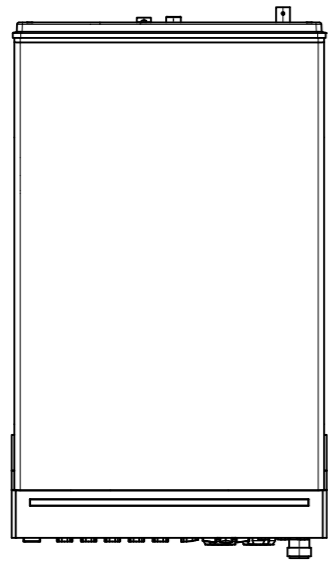


DO NOT SCALE THIS METRIC DRAWING	GD&T SYMBOLY PER ISO 1101 & ISO 5459	DRAWN BY	2015-02-16 DATE (YYYY-MM-DD)	TITLE			PART NUMBER
		ENGINEER/CHECKER	2015-02-16 DATE				
UNLESS OTHERWISE SPECIFIED		<ul style="list-style-type: none"> • DIMENSIONS ARE IN MILLIMETERS • THIRD ANGLE PROJECTION • ADHERENCE TO DWG A-5951-1561-1 (COMPANY STD. SECTION 608) AND A-5951-1745-1 (GSE) IS REQUIRED 		FRAME DATE: 2014-05-20			N1912A DOCUMENT NUMBER



DO NOT SCALE THIS METRIC DRAWING	GD&T SYMBOLOGY PER ISO 1101 & ISO 5459	DRAWN BY	2015-02-16 DATE (YYYY-MM-DD)	WITHOUT RUBBER BUMPER & HANDLE		
		ENGINEER/CHECKER	2015-02-16 DATE			
		UNLESS OTHERWISE SPECIFIED ° DIMENSIONS ARE IN MILLIMETERS ° THIRD ANGLE PROJECTION		TITLE	FRAME DATE: 2014-05-20	PART NUMBER
		° ADHERENCE TO DWG A-5951-1561-1 (COMPANY STD. SECTION 608) AND A-5951-1745-1 (GSE) IS REQUIRED		1 OF 1 SHEET	1:5 SCALE	A3 SIZE
				N1912A DOCUMENT NUMBER		