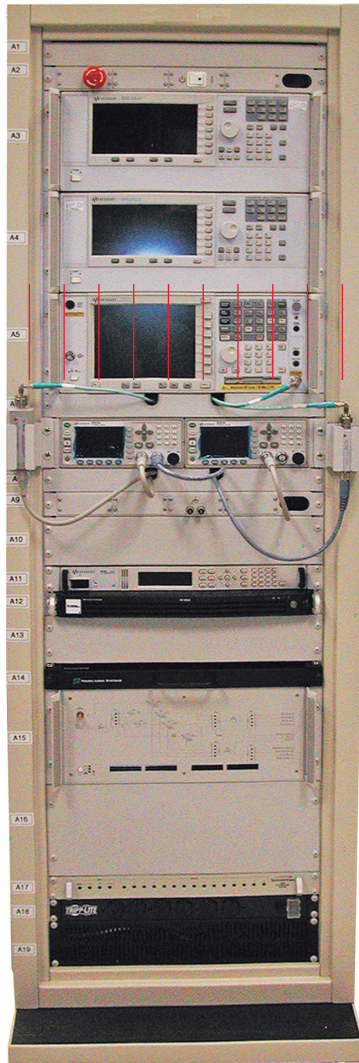


# Keysight Technologies Signal Simulation Test System Z2090B-032

## Technical Overview



# Introduction

## System Capability

- RF signal generation for 50 MHz to 20 GHz
- Individual and combined RF carriers
- Spectrum Analysis and Vector Signal Analysis capabilities
- RF Power measurement capability to 26 GHz

## System Software

The system comes with standard Keysight instrument drivers, measurement firmware depending on instrument options selected, Win XP Pro™ operating system, and Norton Ghost™.

## System Hardware

- Two Keysight E8267D 20 GHz Performance Signal Generators with built in AWG capability
- Keysight E4440A Spectrum Analyzer
- Two Keysight N1912A RF Power Meters with wide band power sensors
- RF switch and signal conditioning chassis
- Internal 10 MHz reference distribution
- System rack, cabling, and industrial PC
- Modular DC power supply

## Rack Hardware

- Keysight 1.6meter or 3rd party ruggedized rack, PDU and cooling

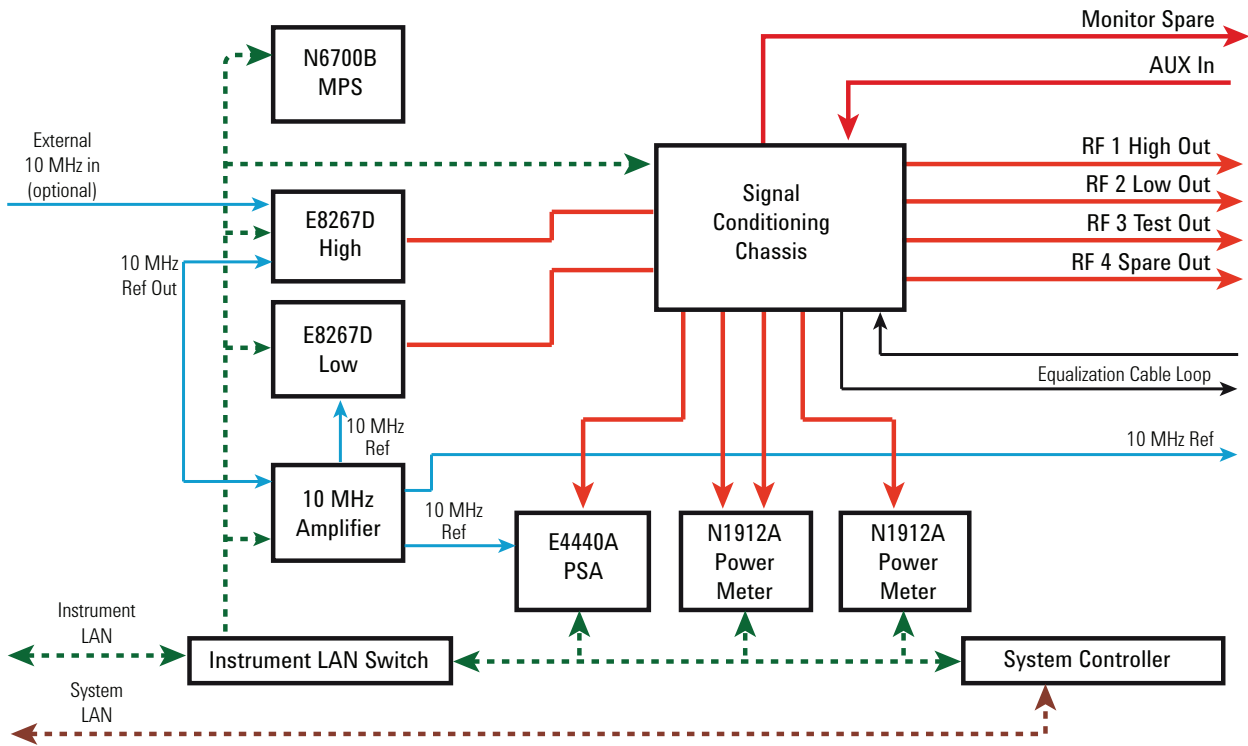
## System Description

The Z2090B-032 Signal Stimulator Test Set (SSTS) provides generation and measurement of two individual and/or combined RF signals which are routed to one of four RF outputs. The RF signals are generated by two Keysight vector PSG signal generators which are capable of generating RADAR and communications signals from 50 MHz to 20 GHz. Measurement capability is provided by an Keysight PSA signal analyzer and an Keysight RF power meter.

## Keysight will tailor the system to specific customer needs

Any test system is only as good as its capability to test the specific UUT. Keysight has the expertise, resources and processes in place to match the system to your needs. Our experience along with that of selected partners will ensure that your testing needs are fully met in a cost competitive manner.

## System Functional Block Diagram



## System Benefits

- This system solution provides a single part number with capability to supply RF stimulus and perform measurements for multiple channel communication and radar products
- SSTS is a platform solution that can be customized to specific requirement

## Warranty & Support

Keysight provides a 1-year return-to-Keysight warranty on custom systems. Warranty extensions and custom repair strategies are available to meet your specific requirements.

Keysight aims to maximize the value you receive, while minimizing your risk and problems. We strive to ensure that you get the test and measurement capabilities you paid for and obtain the support you need. Our extensive support resources and services can help you choose the right Keysight products for your applications and apply them successfully. Every instrument and system we sell has a global warranty. Support is available for at least five years beyond the production life of the product. Two concepts underlie Keysight's overall support policy: "Our Promise" and "Your Advantage."

## Application Assistance

Keysight's application experts are available to help optimize the system, taking full advantage of the system capability for your unique application. Operator training is also available to help you get the system into service quickly.

If your application goes beyond the standard system offering described above, Keysight program managers and engineering professionals can help define and implement unique functionality. They ensure that your custom system requirements are implemented successfully.

## Our Promise

Our Promise means your Keysight test and measurement equipment will meet its advertised performance and functionality. When you are choosing new equipment, we will help you with product information, including realistic performance specifications and practical recommendations from experienced test engineers. When you use Keysight equipment, we can verify that it works properly, help with product operation, and provide basic measurement assistance for the use of specified capabilities, at no extra cost upon request. Many self-help tools are available.

**myKeysight**

**myKeysight**

[www.keysight.com/find/mykeysight](http://www.keysight.com/find/mykeysight)

A personalized view into the information most relevant to you.



[www.lxistandard.org](http://www.lxistandard.org)

LAN eXtensions for Instruments puts the power of Ethernet and the Web inside your test systems. Keysight is a founding member of the LXI consortium.



**Three-Year Warranty**

[www.keysight.com/find/ThreeYearWarranty](http://www.keysight.com/find/ThreeYearWarranty)

Keysight's commitment to superior product quality and lower total cost of ownership. The only test and measurement company with three-year warranty standard on all instruments, worldwide.



**Keysight Assurance Plans**

[www.keysight.com/find/AssurancePlans](http://www.keysight.com/find/AssurancePlans)

Up to five years of protection and no budgetary surprises to ensure your instruments are operating to specification so you can rely on accurate measurements.



[www.keysight.com/quality](http://www.keysight.com/quality)

Keysight Electronic Measurement Group

DEKRA Certified ISO 9001:2008

Quality Management System

**Keysight Channel Partners**

[www.keysight.com/find/channelpartners](http://www.keysight.com/find/channelpartners)

Get the best of both worlds: Keysight's measurement expertise and product breadth, combined with channel partner convenience.

[www.keysight.com/find/assist](http://www.keysight.com/find/assist)

For more information on Keysight Technologies' products, applications or services, please contact your local Keysight office. The complete list is available at: [www.keysight.com/find/contactus](http://www.keysight.com/find/contactus)

**Americas**

Canada	(877) 894 4414
Brazil	55 11 33 51 7010
Mexico	001 800 254 2440
United States	(800) 829 4444

**Asia Pacific**

Australia	1 800 629 485
China	800 810 0189
Hong Kong	800 938 693
India	1 800 112 929
Japan	0120 (421) 345
Korea	080 769 0800
Malaysia	1 800 888 848
Singapore	1 800 375 8100
Taiwan	0800 047 866
Other AP Countries	(65) 375 8100

**Europe & Middle East**

Belgium	32 (0) 2 404 93 40
Denmark	45 45 80 12 15
Finland	358 (0) 10 855 2100
France	0825 010 700* *0.125 €/minute
Germany	49 (0) 7031 464 6333
Ireland	1890 924 204
Israel	972-3-9288-504/544
Italy	39 02 92 60 8484
Netherlands	31 (0) 20 547 2111
Spain	34 (91) 631 3300
Sweden	0200-88 22 55
United Kingdom	44 (0) 118 927 6201

For other unlisted countries:

[www.keysight.com/find/contactus](http://www.keysight.com/find/contactus)

(BP-04-23-14)

