

Errata

Title & Document Type: 1715A/25A Option 005 TV Sync Oscilloscope Operating Note

Manual Part Number: 01715-90905

Revision Date: August 1983

About this Manual

We've added this manual to the Agilent website in an effort to help you support your product. This manual provides the best information we could find. It may be incomplete or contain dated information, and the scan quality may not be ideal. If we find a better copy in the future, we will add it to the Agilent website.

HP References in this Manual

This manual may contain references to HP or Hewlett-Packard. Please note that Hewlett-Packard's former test and measurement, life sciences, and chemical analysis businesses are now part of Agilent Technologies. The HP XXXX referred to in this document is now the Agilent XXXX. For example, model number HP8648A is now model number Agilent 8648A. We have made no changes to this manual copy.

Support for Your Product

Agilent no longer sells or supports this product. You will find any other available product information on the Agilent Test & Measurement website:

www.agilent.com

Search for the model number of this product, and the resulting product page will guide you to any available information. Our service centers may be able to perform calibration if no repair parts are needed, but no other support from Agilent is available.



Agilent Technologies



**HEWLETT
PACKARD**

OPTION 005
(For HP Models 1715A/1725A)
TV SYNC OSCILLOSCOPE

Model
1715A/005
1725A/005

OPERATING NOTE/AUGUST 1983

1. INTRODUCTION.

2. This operating note provides operating and service information for the HP Models 1715A/1725A Option 005 and the TV Sync aspect of the Option 535/534.

3. DESCRIPTION.

4. TV Sync Option 005 enables the 1715A/1725A oscilloscopes to trigger on composite video waveforms, which aids in viewing and measuring video signals. Option 005 is used in several different markets including television, display systems, and video systems. This enhanced version of HP 1715A/1725A oscilloscopes is frequently found in production, test, and development.

5. OPERATION.

6. Option 005 adds the circuits and controls that enable the oscilloscope to trigger on a composite video signal and display the signal on either channel A or B. The oscilloscope's main time base triggers on the vertical interval of the composite video signal, which it receives by connecting the MAIN TRIGGER output BNC to the Main EXT TRIG input BNC. The delayed time base triggers on horizontal line sync pulses by connecting the DELAYED TRIGGER BNC to the Delayed EXT TRIG input. Composite video signals are connected to the 75Ω TV INPUT. They are ac coupled to the TV VERTICAL OUT BNC with approximately unity gain. TV VERTICAL OUT BNC is connected to the oscilloscope's CHANNEL A or B vertical INPUT (don't use 50Ω coupling). Figure 1 shows the added controls and connectors, and a description of the operation of each. Refer to the 1715A/1725A Operating and Service Manual for a description of the remaining controls and indicators.

7. SPECIFICATIONS.

8. The specifications in table 1 apply to the HP Model 1715A/1725A Option 005.

9. RECOMMENDED TEST EQUIPMENT.

10. The following test equipment is required in addition to that listed in the Operation and Service Manual:

Composite TV Sync Signal Generator

11. PERFORMANCE TEST.

12. The following performance test is in addition to those in the 1715A/1725A oscilloscopes Operating and Service Manuals.

Table 1. Option Specifications

TV INPUT	
Max Input:	5 VRMS (Need neg sync pulses)
Min Input:	0.25 V p-p
75Ω Input Impedance:	±3%
TV CLAMP:	AC coupled, neg clamping to ground
MAIN TRIGGER and DELAYED TRIGGER Output	
Rectangular wave with a peak voltage range of 0.75 < V _{peak} < 1.0 V	

a. Connect TV signal generator to TV INPUT 75Ω make the following connections as shown in figure 2 and set oscilloscope controls as follows:

MAIN TIME/DIV	2.0 msec
DELAYED TIME /DIV	10.0 μsec
MAIN	engaged
Delayed TRIG LEVEL	Detent
TIME INTERVAL	ΔT off
Main Triggering	EXT
Delayed Triggering	EXT
CHAN A VOLTS/DIV	as required for at least 2 div display

b. Adjust Main TRIG LEVEL for stable display. If a stable display is observed, the field reference portion of the TV sync circuitry is operating properly.

c. Try both slope triggering modes ± and observe that display remains stable.

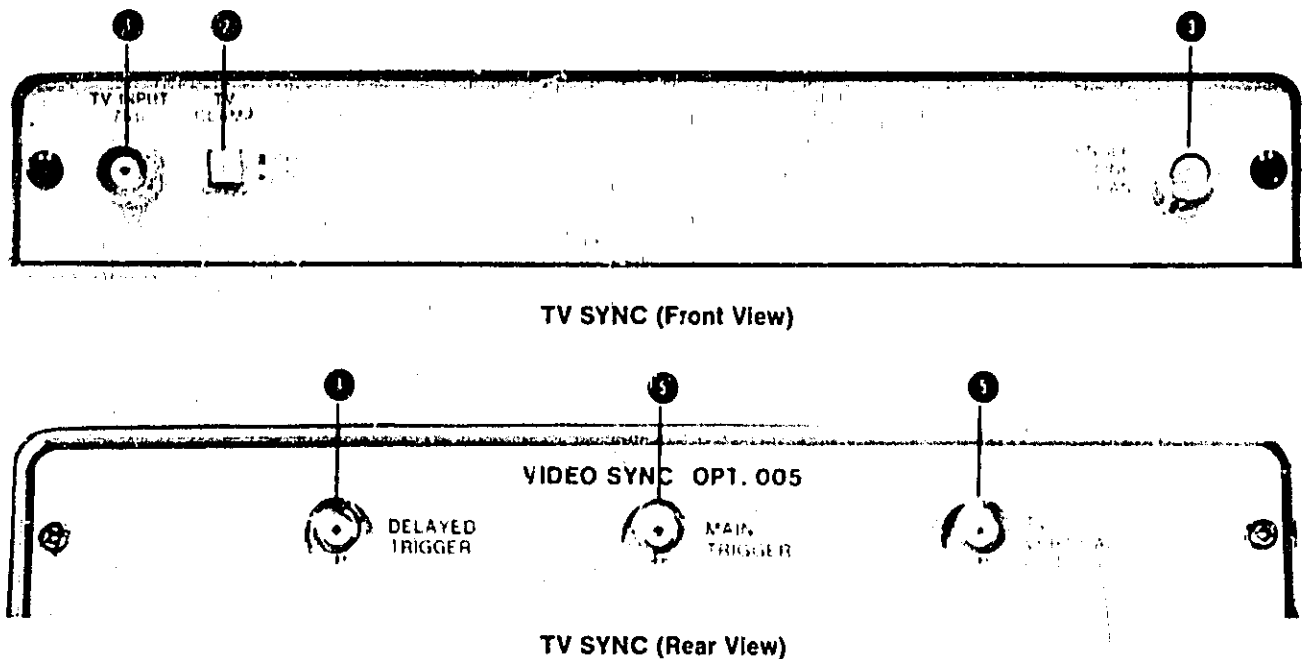
d. Press DLY'D sweep and observe individual line sync pulses are displayed on CRT (adjust intensity as needed).

e. Adjust the TIME INTERVAL STOP potentiometer and observe that line sync pulses move slowly across CRT.

f. Set Delayed TRIG LEVEL to obtain a stable display (Delayed slope select to -). TIME INTERVAL STOP potentiometer adjustment now provides discrete delay changes. Adjust SINGLE LINE SCAN and note the continuous control of horizontal position.

Operating Note Part No. 01715-90905
Microfiche Part No. 01715-90805





- 1 TV INPUT 75Ω. This input matches the impedance of most TV transmission lines (75Ω).
- 2 TV CLAMP. TV CLAMP clamps the composite video signal to the bottom of the output sync pulses. This eliminates vertical position shifting caused by changing video levels, which allows viewing of the VITS (Vertical Interval Test Signals) without vertical movement of the display. Note, TV VERTICAL OUT BNC must be used to provide clamping.
- 3 SINGLE LINE SCAN. In DLY'D display mode, with the delayed time base in neg slope triggered mode (TRIG LEVEL in nondetent), the expanded portion of the waveform jumps from line sync pulse to line sync pulse as TIME INTERVAL STOP potentiometer is turned. To fine tune the horizontal position in a continuous manner, use SINGLE LINE SCAN, which allows a 3 to 50 μsec delay window with respect to each delayed trigger point for precise measurements.
- 4 DELAYED TRIGGER. Provides a delayed trigger event derived from each horizontal line sync pulse.
- 5 MAIN TRIGGER. Provides a main trigger event derived from the vertical interval of each field.
- 6 TV VERTICAL OUT. This is the ac coupled and clamped (if TV CLAMP is engaged) version of the input waveform connected to TV INPUT 75Ω.

Figure 1. Controls and Connectors

13. TV SYNC OSCILLOSCOPE FUNCTIONS.

14. MAIN TRIGGER. This function is useful in both Main and Dly'd Sweep modes. Main trigger locks in on one complete frame (2 interlaced fields) of video and displays field 1 or field 2. Switching Main POS/NEG (↖) will transfer the display to the opposite field in the frame. This feature operates similarly in Dly'd Sweep mode. When individual lines are examined in Dly'd, changing Main POS/NEG (↖) will display the corresponding lines in the opposite field. This application is typically used when inspecting "VITS" signals. For example, when viewing the multiburst signal (located on line 17 of field 1), POS/NEG (↖) switches the display to the color bars (line 17 of field 2).

15. TIME INTERVAL STOP POTENTIOMETER. This control has several operating modes that provide numerous useful functions. In MAIN INTEN mode with TRIG LEVEL in detent, TIME INTERVAL STOP continuously

moves the intensified portion of main sweep to the desired area for expansion. The brightened segment expands to full screen when the DLY'D button is pressed. In DLY'D mode, the STOP control provides continuous vernier control of the expanded region. This allows a magnified scanning of a waveform to inspect and measure lines or segments of lines. When Dly'd TRIG LEVEL is in the nondetent position the STOP control moves the brightened (MAIN) or expanded (DELAYED) display in discrete jumps from line sync pulse to line sync pulse.

16. DELAYED GATE Output (Rear Panel). This output can be used to superimpose an intensified marker on the video monitor as a reference for line selection. The DELAYED GATE Output is connected to the monitor with a BNC "T" connector where the video signal source feeds into the monitor, thus superimposing the delayed gate output on the video signal. This generates a white line on the monitor's display. Setting main sweep to 2

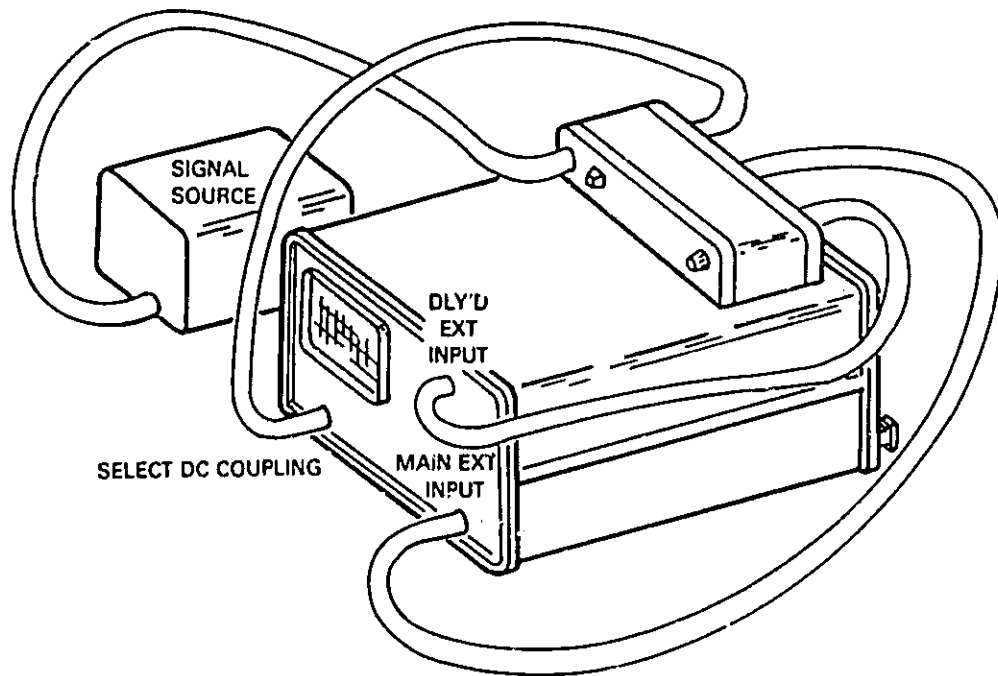


Figure 2. TV Sync Hookup

msec/div delayed sweep to $5 \mu\text{sec/div}$ and selecting MAIN INTEN, displays a narrow white line across the screen of the monitor. The width of the white line varies with the Dly'd sweep speed, and the position of the white line can be adjusted with the STOP potentiometer. The amplitude of the video signal may be DC offset by the delayed gate signal, which will give an intensified and DC offset (MAIN INTEN) marker.

17. REPLACEABLE PARTS.

18. Table 2 lists the replaceable parts for Option 005, and figure 3 shows the mechanical view. Refer to Section VI in the oscilloscope Operating and Service Manual for other parts and for ordering information.

19. SERVICE.

20. **MANUAL CHANGES.** When the 1715A/1725A Operating and Service Manual has been changed to include the information in this operation note, the manual applies to Option 005.

21. THEORY OF OPERATION.

22. Refer to figure 4 and 5. The TV Sync Separator provides additional circuits to allow triggering on a composite video signal. The Main Time Sweep triggers on a field reference pulse derived from the vertical interval, and the delayed time base triggers on individual horizontal line sync pulses. TV Sync Separator, A200, converts the composite video signal to a field sync

reference to the main time base, and a linesync reference to the delayed time base.

23. The composite video signal is ac coupled through A200C5 and clamped by A200CR1, if switch A200SI is pressed, from the TV INPUT to the TV VERTICAL OUT.

24. After amplification, level shifting, and clamping, the composite video signal is applied to Stripping Amplifier A200Q3. With the emitter connected to ground, all video information is removed leaving only negative going composite sync pulses at the collector. A200U1 triggers on the negative going transitions of each line sync pulse to produce a positive going pulse which is delayed about $40 \mu\text{s}$ from trigger source and has a variable width controlled by SINGLE LINE SCAN R201. As potentiometer R201 is adjusted, the width varies at the trailing edge from approximately $3 \mu\text{sec}$ to $50 \mu\text{sec}$. If the oscilloscope is set for triggered delayed sweep with a negative slope, adjusting SINGLE LINE SCAN provides a fine tuned delay of the triggered waveform.

25. The Field Sync Integrator filters out the line sync pulses and integrates the vertical interval serrated pulses into a positive trigger that is applied to the clock input of A200U2. The output of A200U2 is a square wave with each half-cycle synchronous to a vertical interval of a field. Changing POS/NEG (/ \) from one slope to the other changes the main time base trigger reference from one field to the other.

Table 2. Option 005 Replaceable Parts

Action	Ref. Desig.	HP Part No.	C D	Qty	Description
ADD	A200	01715-66501	6	1	BD ASSY-TV SYNC
ADD	H200	2200-0762	9	6	MS 4-40 0.250 LG
ADD	H201	2360-0113	2	5	MS 6-32 0.250 LG
ADD	H202	2200-0103	2	2	MS 4-40 0.250 LG
ADD	H203	2200-0166	7	1	MS 4-40 0.312 LG
ADD	H204	2200-0105	4	5	MS 4-40 0.31 LG
ADD	H205	2950-0072	3	1	NUTH 1/4-32 0.062
ADD	H206	2950-0043	8	4	NUTH 3/8-32 0.093
ADD	H207	2190-0016	3	2	WIL .377 .507 .02
ADD	H208	0360-1632	0	2	LUG SOLDER
ADD	H209	0400-0001	1	1	GROMMET 0.750
ADD	J201	1250-0118	3	4	CONNRF BNC BHDJ
ADD	J202	1250-0118	3		CONNRF BNC BHDJ
ADD	J203	1250-0118	3		CONNRF BNC BHDJ
ADD	J204	1250-0118	3		CONNRF BNC BHDJ
DELETE	MP25	01720-04120	8	1	COVER-TOP-STD
DELETE	MP65	1540-0292	9	1	CASE ACCESSORY
ADD	MP201	01715-00203	7	1	FRT PNL TV SYNC
ADD	MP202	01715-00204	8	1	REAR PNL TV SYNC
ADD	MP203	01715-01201	7	1	BRACKET-REAR PNL
ADD	MP204	01715-04101	2	1	TOP COVER-SCOPE (Option 005)
ADD	MP204	01715-04104	5	1	TOP COVER-SCOPE (Option 534/535, which is the Option 005 and DVM)
ADD	MP205	01715-04103	4	1	TOP COV-TV SYNC
ADD	MP206	01726-20503	5	2	FRAME REAR
ADD	MP207	0370-0603	4	1	P. B. M GRAY SQ
ADD	MP208	0370-1005	2	1	KNOB-JADE GREY
ADD	MP209	0370-2626	5	1	BEZEL-PB GRAY
ADD	MP210	1540-0325	9	1	CASE CRVG HANDLE
ADD	R201	2100-1530	9	1	RV CCC 200K
ADD	W206	01715-61601	7	1	CABLE-POWER
ADD	A200	01715-66501	6	1	BD ASSY-TV SYNC
ADD	A200C1	0160-2055	9	3	CF CE 0.01 UF 100V
ADD	A200C2	0180-0116	1	2	CF TA 6.8 U 35V
ADD	A200C3	0160-2055	9		CF CE 0.01 UF 100V
ADD	A200C4	0160-2055	9		CF CE 0.01 UF 100V
ADD	A200C5	0160-0576	5	1	CF 0.1 UF 20% 50V
ADD	A200C6	0180-0116	1		CF TA 6.8 U 35V
ADD	A200C7	0140-0204	4	1	CF MI 47P 500V
ADD	A200C8	0160-3456	6	2	CF CE 1000 1KV
ADD	A200C9	0160-0939	4	1	CF MI 430P 300V
ADD	A200C10	0140-0199	6	1	CF MI 240P 300V
ADD	A200C11	0140-0191	8	2	CF MI 56P 300V
ADD	A200C12	0160-3457	7	2	CF 2000 PF 250 VDC
ADD	A200C13	0160-3457	7		CF 2000 PF 250 VDC
ADD	A200C14	0160-3456	6		CF CE 1000 1KV

Table 2. Option 005 Replaceable Parts (Cont'd)

Action	Ref. Desig.	HP Part No.	C	D	Qty	Description
ADD	A200C15	0140-0191	8			CF MI 56P 300V
ADD	A200CR1	1901-0518	8	1		DIO-SCHOTTKY
ADD	A200CR2	1901-0040	1	1		DGP SI 30 200M
ADD	A200CR3	1901-0535	9	1		DIODE SCHOTTKY
ADD	A200J1	1251-5971	8	1		CONN-WAFER 3
ADD	A200Q1	1854-0215	1	2		QN S PL 5 2N3904
ADD	A200Q2	1853-0036	2	2		QP S PS 5 2N3906
ADD	A200Q3	1854-0215	1			QN S PL 5 2N3904
ADD	A200Q4	1853-0036	2			QP S PL 5 2N3906
ADD	A200R1	0683-2225	3	1		RF 0.25 CC 2200 5
ADD	A200R2	0683-1005	5	2		RF 0.25 CC 10 5
ADD	A200R3	0683-1005	5			RF 0.25 CC 10 5
ADD	A200R4	0757-0710	4	1		RF 0.25 MF 75 1
ADD	A200R5	0683-2705	4	1		RF 0.25 CC 27 5
ADD	A200R6	0757-0280	3	2		RF 0.12 MF 1K 1
ADD	A200R7	0757-0442	9	8		RF 0.12 MF 10K 1
ADD	A200R8	0757-0457	6	2		RF 0.12 MF 47.5K 1
ADD	A200R9	0757-0200	7	1		RF 0.12 MF 5.62K
ADD	A200R10	0757-0401	0	1		RF 0.12 MF 100 1
ADD	A200R11	0757-0280	3	2		RF 0.12 MF 1K 1
ADD	A200R12	0757-0459	8	3		RF 0.12 MF 56.2K 1
ADD	A200R13	0757-0442	9			RF 0.12 MF 10K 1
ADD	A200R14	0757-0457	6			RF 0.12 MF 47.5K 1
ADD	A200R15	0757-0442	9			RF 0.12 MF 10K 1
ADD	A200R16	0757-0465	6	1		RF 0.12 MF 100K 1
ADD	A200R17	0757-0458	7	2		RF 0.12 MF 51.1K 1
ADD	A200R18	0757-0442	9			RF 0.12 MF 10K 1
ADD	A200R19	0759-0442	9			RF 0.12 MF 10K 1
ADD	A200R20	0757-0459	8			RF 0.12 MF 56.2K 1
ADD	A200R21	0757-0459	8			RF 0.12 MF 56.2K 1
ADD	A200R22	0698-4530	8	1		RF 232K OHM 1
ADD	A200R23	0757-0450	9	1		RF 0.12 MF 22.1K 1
ADD	A200R24	0757-0442	9			RF 0.12 MF 10K 1
ADD	A200R25	0757-0458	7			RF 0.12 MF 51.1K 1
ADD	A200R26	0757-0442	9			RF 0.12 MF 10K 1
ADD	A200R27	0757-0442	9			RF 0.12 MF 10K 1
ADD	A200S1	3101-1400	5	1		3WPB 2 POLE 1 STA
ADD	A200U1	1820-1485	8	1		IC-MM74C221N
ADD	A200U2	1820-0839	5	1		IC DUAL D FF
ADD	A200VR1	1902-0041	4	1		DZ 5.11 5 400M
ADD	A200XU1	1200-0607	0	1		SOCKET-IC 16 PIN
ADD	A200XU2	1200-0638	7	1		SOCKET-IC 14 PIN

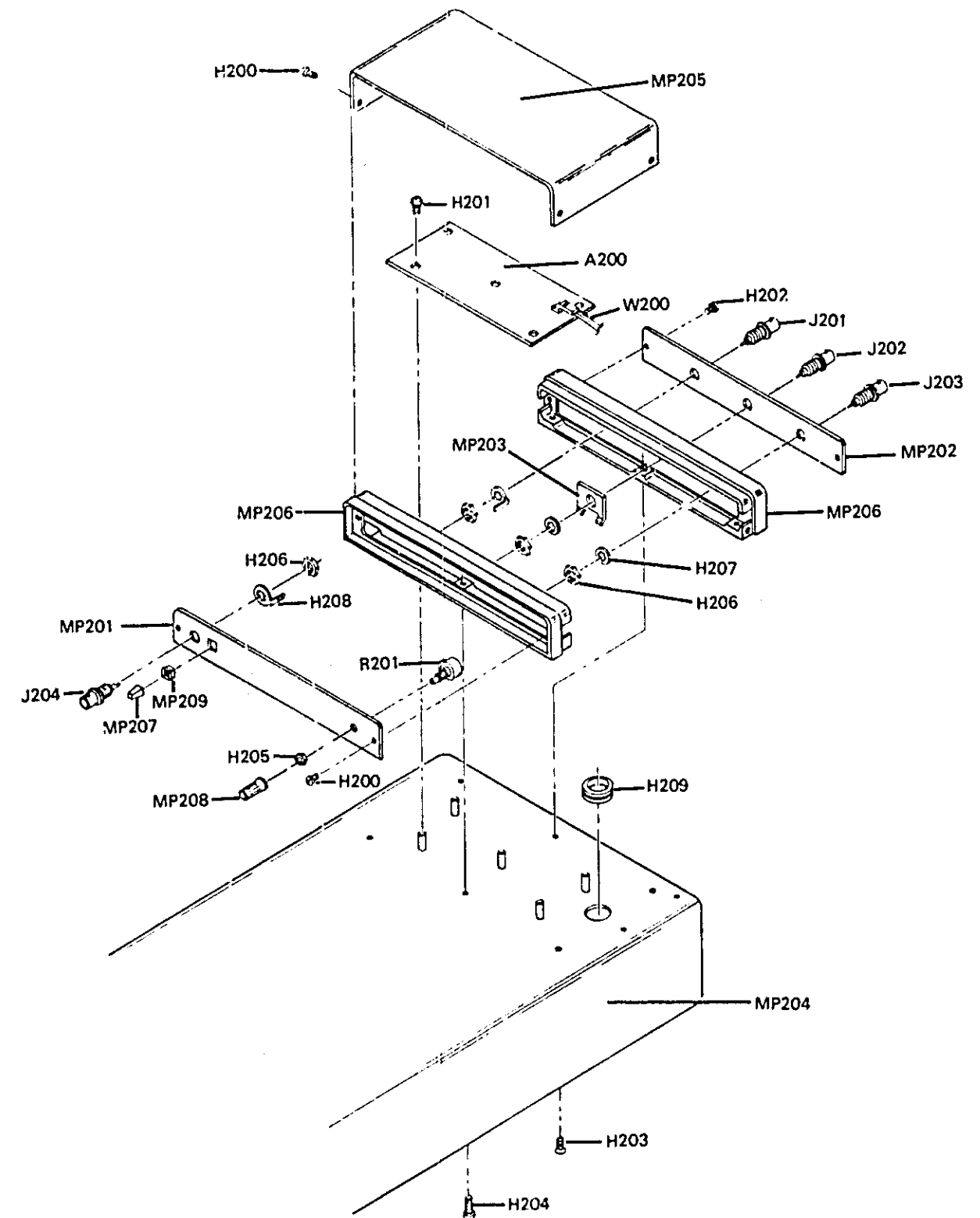


Figure 3.
Mechanical View
Page 5

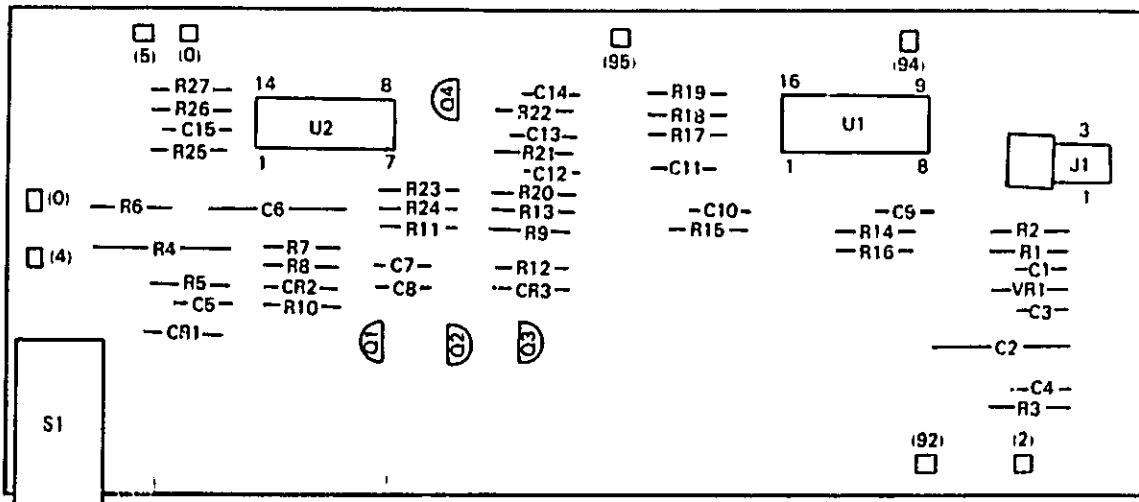


Figure 4. A200 Component Locator

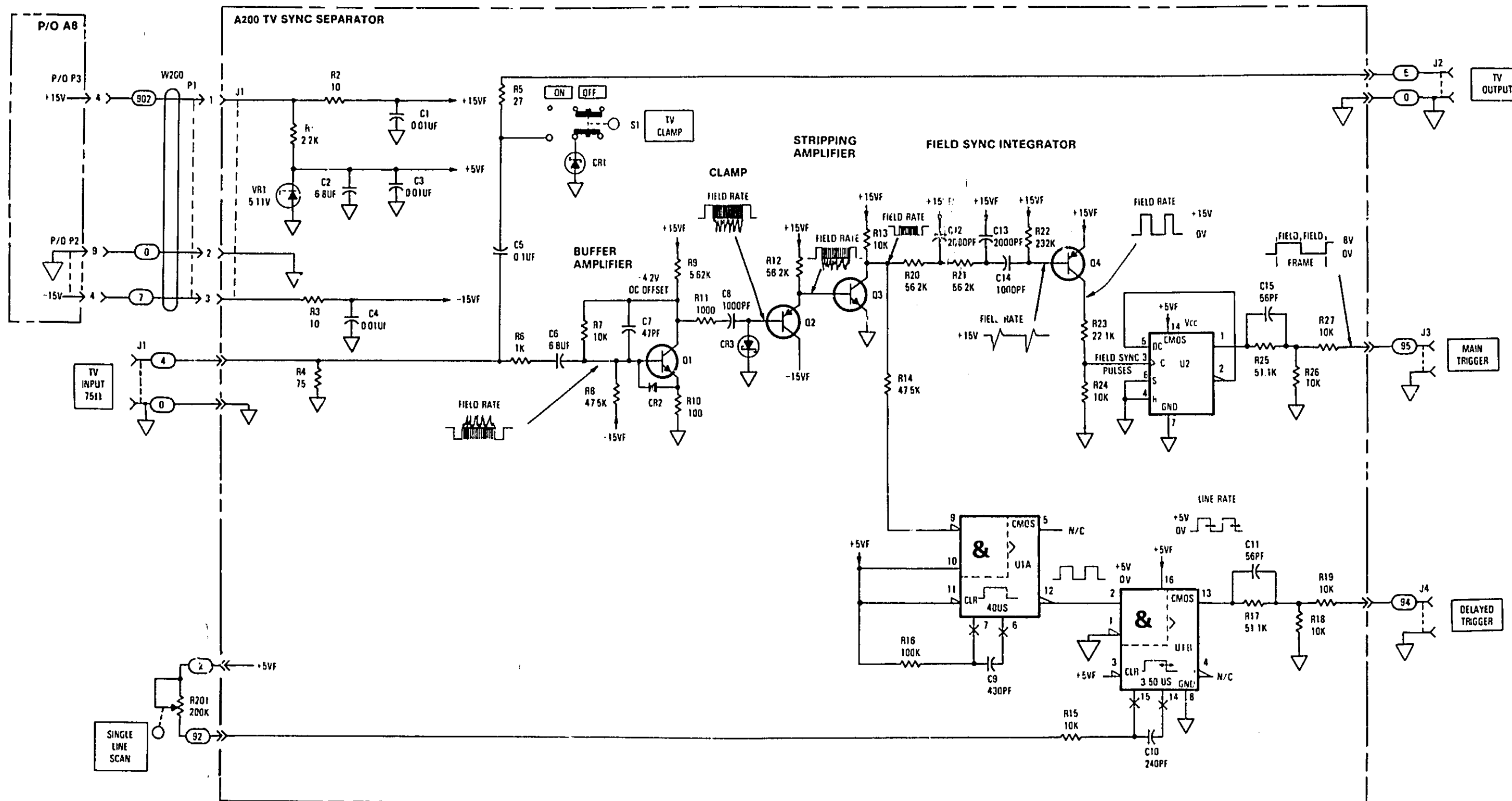


Figure 5.
TV Sync Separator, A200 Schematic (Option 005)
Page 7