

User Guide

Keysight  
N6850A  
Broadband  
Omnidirectional Antenna

# Notices

## Copyright Notice

© Keysight Technologies 2016–2019

No part of this manual may be reproduced in any form or by any means (including electronic storage and retrieval or translation into a foreign language) without prior agreement and written consent from Keysight Technologies, Inc. as governed by United States and international copyright laws.

## Manual Part Number

N6850-90001

## Edition

Edition 1.3, January 2019

## Published by

Keysight Technologies, Inc.  
1400 Fountaingrove Parkway  
Santa Rosa, CA 95403

## Technology Licenses

The hardware and/or software described in this document are furnished under a license and may be used or copied only in accordance with the terms of such license.

## Declaration of Conformity

Declarations of Conformity for this product and for other Keysight product may be downloaded from the Web. Go to the "Declarations of Conformity" web page <http://www.keysight.com/go/conformity>. You can then search by product number to find the latest Declaration of Conformity.

## U.S. Government Rights

The Software is "commercial computer software," as defined by Federal Acquisition Regulation ("FAR") 2.101. Pursuant to FAR 12.212 and 27.405-3 and Department of Defense FAR Supplement ("DFARS") 227.7202, the U.S. government acquires commercial computer software under the same terms by which the software is customarily provided to the public. Accordingly, Keysight provides the Software to U.S. government customers under its standard commercial license, which is embodied in its End User License Agreement (EULA), a copy of which can be found at

<http://www.keysight.com/find/sweula>. The license set forth in the EULA represents the exclusive authority by which the U.S. government may use, modify, distribute, or disclose the Software. The EULA and the license set forth therein, does not require or permit, among other things, that Keysight: (1) Furnish technical information related to commercial computer software or commercial computer software documentation that is not customarily provided to the public; or (2) Relinquish to, or otherwise provide, the government rights in excess of these rights customarily provided to the public to use, modify, reproduce, release, perform, display, or disclose commercial computer software or commercial computer software documentation. No additional government requirements beyond those set forth in the EULA shall apply, except to the extent that those terms, rights, or licenses are explicitly required from all providers of commercial computer software pursuant to the FAR and the DFARS and are set forth specifically in writing elsewhere in the EULA. Keysight shall be under no obligation to update, revise or otherwise modify the Software. With respect to any technical data as defined by FAR 2.101, pursuant to FAR 12.211 and 27.404.2 and DFARS 227.7102, the U.S. government acquires no greater than Limited Rights as defined in FAR 27.401 or DFAR 227.7103-5 (c), as applicable in any technical data.

## Warranty

THE MATERIAL CONTAINED IN THIS DOCUMENT IS PROVIDED "AS IS," AND IS SUBJECT TO BEING CHANGED WITHOUT NOTICE IN FUTURE EDITIONS. FURTHER, TO THE MAXIMUM EXTENT PERMITTED BY APPLICABLE LAW, KEYSIGHT TECHNOLOGIES DISCLAIMS ALL WARRANTIES OF MERCHANTABILITY AND FITNESS FOR A PARTICULAR PURPOSE. KEYSIGHT TECHNOLOGIES SHALL NOT BE LIABLE FOR ERRORS OR FOR INCIDENTAL OR CONSEQUENTIAL DAMAGES IN CONNECTION WITH THE FURNISHING, USE, OR PERFORMANCE OF THIS DOCUMENT OR OF ANY OF THE PRODUCTS TO WHICH IT PERTAINS. SHOULD KEYSIGHT TECHNOLOGIES HAVE A WRITTEN CONTRACT WITH THE USER AND SHOULD ANY OF THE CONTRACT TERMS CONFLICT WITH THESE TERMS THE CONTRACT TERMS SHALL CONTROL.

## Safety Information

### CAUTION

A CAUTION notice denotes a hazard. It calls attention to an operating procedure, practice, or the like that, if not correctly performed or adhered to, could result in damage to the product or loss of important data. Do not proceed beyond a CAUTION notice until the indicated conditions are fully understood and met

### WARNING

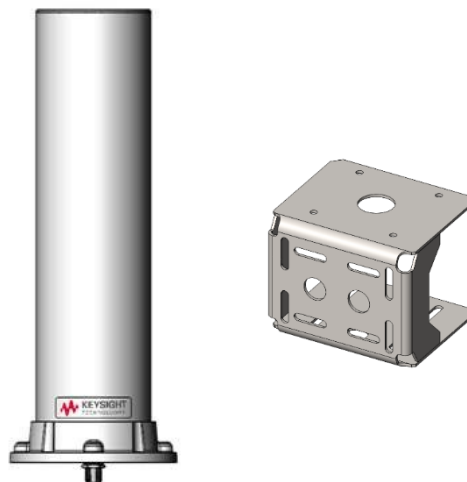
A WARNING notice denotes a hazard. It calls attention to an operating procedure, practice, or the like that, if not correctly performed or adhered to, could result in personal injury or death. Do not proceed beyond a WARNING notice until the indicated conditions are fully understood and met.

## Product Description

An antenna that covers the entire frequency range of interest for your spectrum monitoring or interference detection applications is very important. Assembling discrete antennas is time-consuming and usually has to be done on-site as they are hard to transport without damaging the elements and may require multiple antennas to cover the full frequency range of the receiver. Other antennas may not have uniform gain patterns that are required by received signal strength geolocation algorithms.

The Keysight N6850A Broadband Omni Antenna is a passive, omnidirectional antenna designed for receivers that operates up to 6 GHz. Mounting complexity is minimized with this one very compact antenna. The low profile design makes it ideal for inconspicuous spectrum monitoring applications. The antenna provides uniform gain pattern for applications requiring time difference of arrival or for received signal strength geolocation techniques.

Industries that find the antenna most useful include spectrum monitoring and signal location, outdoor and indoor and interference detection and location. Its use may be fixed-site, vehicle-mounted, or handheld operation. The antenna is for use with Keysight N6841A RF Sensor, Keysight N99XX handheld spectrum analyzers, Keysight spectrum analyzers, or any commercial spectrum analyzer or receiver with 6 GHz operation.



## Features and Benefits

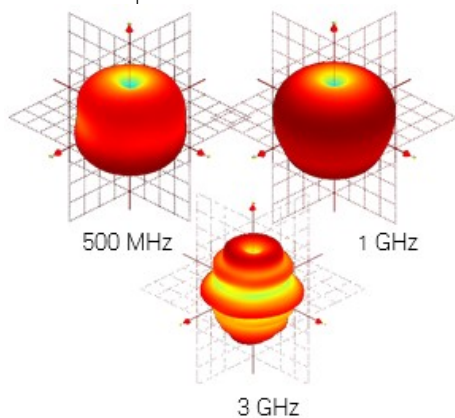
Product features	Your benefits
Wide frequency range	Covers 300 MHz to 6 GHz, meaning you only need only 1 antenna with your RF sensor or other receiver
Uniform gain pattern	Suitable for indoor or outdoor geolocation
Mounting adapter	Suitable for post or rail mounting, or handheld use. Easily adapted for vehicle mounting.
Compact design, low wind loading	Suitable for signal monitoring from tower or vehicle. Easy to transport, easy to mount.

## Specifications and Characteristics

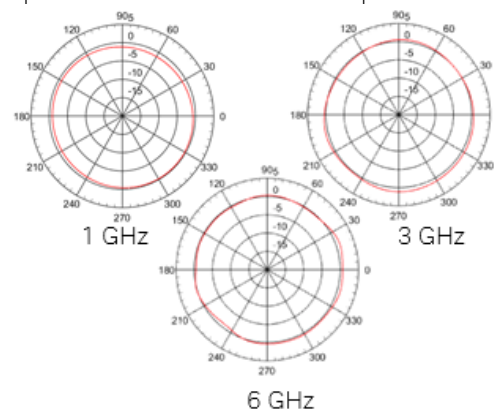
All specs and plots are Typical unless otherwise stated.

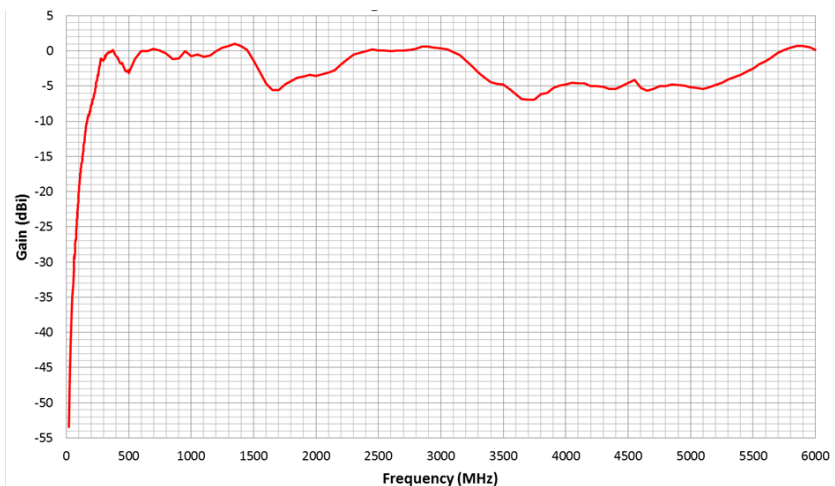
Hardware	
Frequency range	300 MHz to 6 GHz
Type	Omni-directional, Passive
Size	16.5 inch high x 6.14 inch wide
Connector	Type N
Polarization	Vertical
Impedance	50 ohms
VSWR	< 2.5 for 450 MHz to 6 GHz
Operating Temperature	-50 to +70°C
Ingress	IP67
Wind Survivability	100 miles/hr (160 km/hr)
ROHS	Compliant
Antenna weight	Approx. 1.15 kg
Mounting bracket weight	Approx 1.54 kg
Shipping weight	Approx 6.1 kg

3D gain plot of a representative unit at ambient temperature

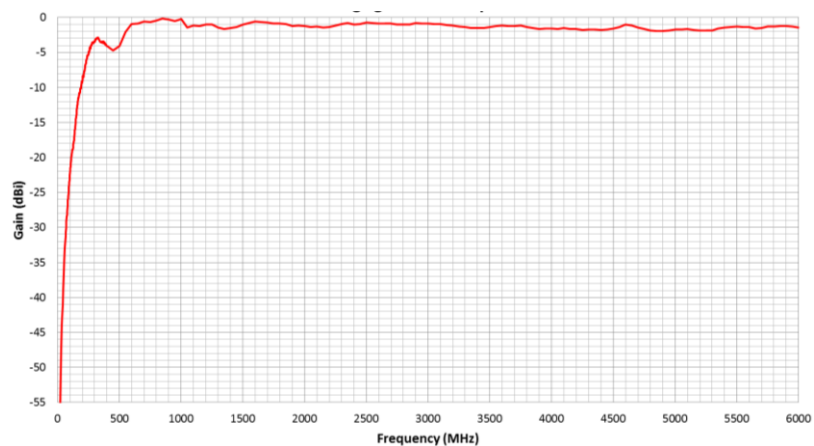


Radial gain pattern at the horizon of a representative unit at ambient temperature

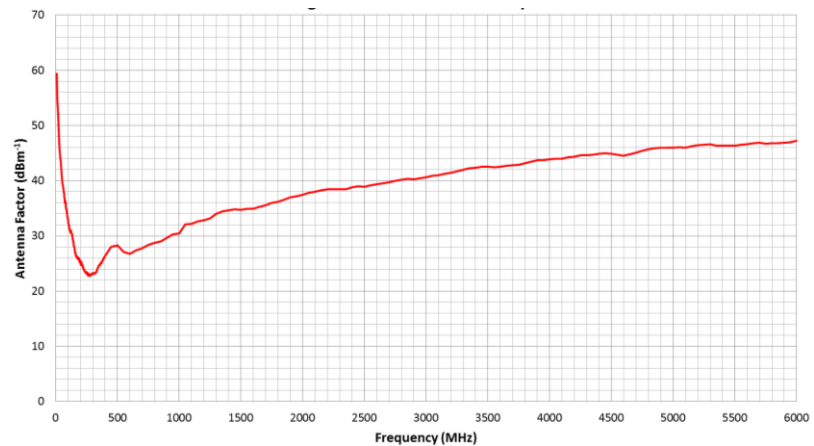




Average gain at the horizon at ambient temperature



Average gain over all space at ambient temperature

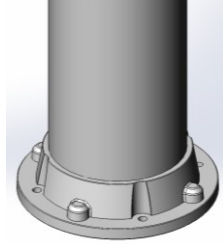


Average antenna factor over all space at ambient temperature

Note that signals below 350 MHz will require greater signal strength for antenna reception.

# Mounting

There are 4 threaded inserts and 4 through-holes for mounting the antenna. Use the enclosed mounting bracket or devise your own mount.



The 4 threaded inserts will accept 1/4"-20 x 0.5" (inch) length machine screws with 1/4" washer. The through-holes will accept 1/4"-20 x 1" (inch) bolt and nut. When used with the provided mounting bracket, it is possible to mount with either the 4 through-holes or the 4 threaded inserts.



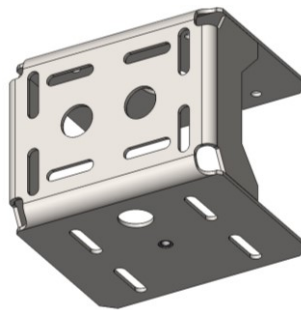
Through-hole mounting (quantity 4, not included)

1/4"-20 x 1 inch (minimum length)

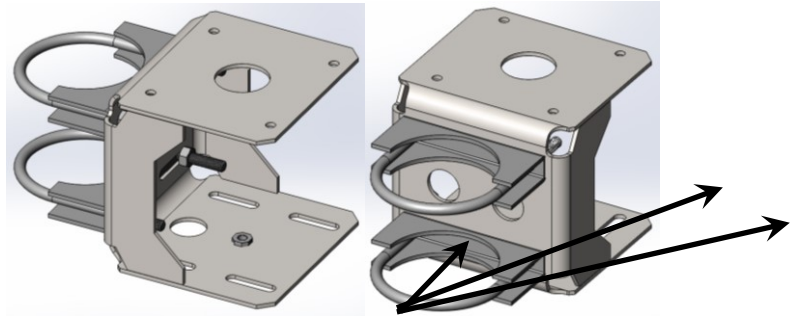


Threaded insert mounting (quantity 4, not included)

1/4"-20 x 0.5 inch (max 5/8 inch).

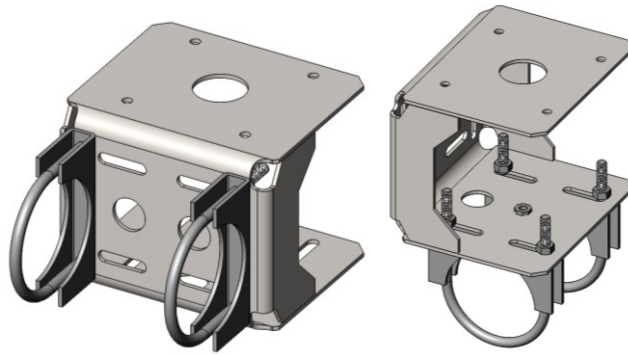


The mounting bracket can be vertical pole or horizontal rail mounted with 2 U-bolts (not included). All slots accommodate U-bolts for 1" to 3" diameter pipe. Mount designed for 5/16" diameter U-bolts.

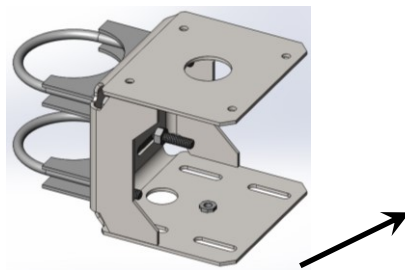


Cable feed through

U-bolts for vertical pole mounting (U-bolts not included)



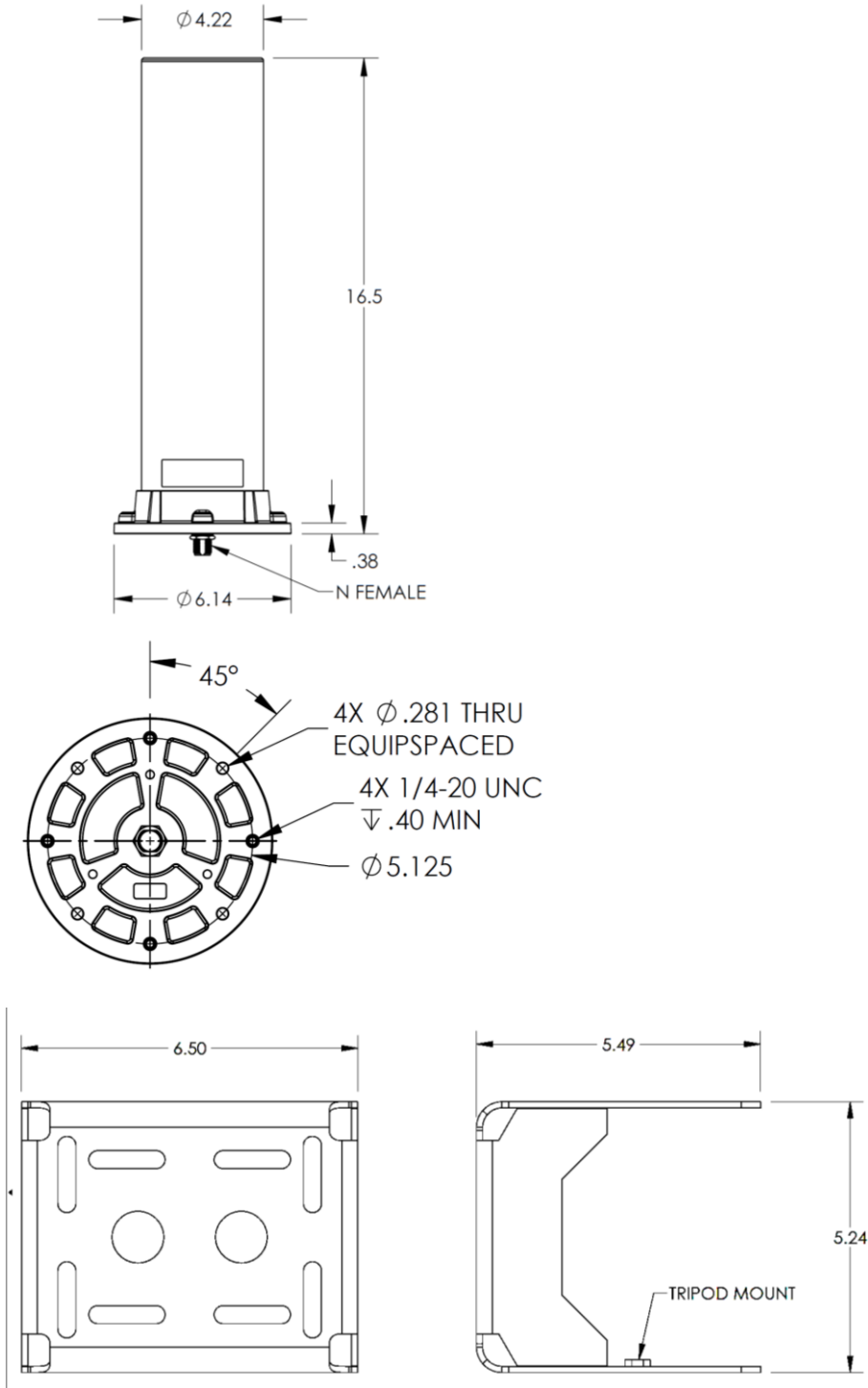
U-bolts for horizontal rail mounting (U-bolts not included)



1/4-20 Tripod mount

Vehicle mounting can be done by purchasing a magnetic mount with a 1/4-20 tripod screw.

# Dimensions





## Safety Symbols

The following general safety precautions must be observed during all phases of operation of this instrument. Failure to comply with these precautions or with specific warnings or operating instructions in the product manuals violates safety standards of design, manufacture, and intended use of the instrument. Keysight Technologies assumes no liability for the customer's failure to comply with these requirements. Product manuals are provided with your instrument on CD-ROM and/or in printed form. Printed manuals are an option for many products. Manuals may also be available on the Web. Go to [www.keysight.com](http://www.keysight.com) and type in your product number in the Search field at the top of the page.

### General

This product is a passive, receive-only antenna. Do not remove instrument shell – there are no user serviceable parts within.

### Environment Conditions

This instrument is intended for indoor or outdoor use. Refer to the specifications tables for ambient operating temperature range.



This symbol represents the time period during which no hazardous or toxic substance elements are expected to leak or deteriorate during normal use. Forty years is the expected useful life of this product.



### Waste Electrical and Electronic Equipment (WEEE)

#### Directive 2002/96/EC

This product complies with the WEEE Directive (2002/96/EC) marking requirement. The affixed product label (see below) indicates that you must not discard this electrical/electronic product in domestic household waste.

Product Category: With reference to the equipment types in the WEEE directive Annex 1, this product is classified as a “Monitoring and Control Instrumentation” product.

Do not dispose in domestic household waste.

To return unwanted products, contact your local Keysight office for more information.



This symbol indicated compliance with the China RoHS regulation for paper-/fiberboard packaging.

## Ordering Information

Model	Description
N6850A	Broadband omni antenna (6 GHz) Includes post/rail mounting adapter N-type antenna cable (5 ft) Mounting instructions Return-to-Keysight Warranty: 1 year

(Note: vehicle mount and mounting hardware not included)





This information is subject to change without notice. © Keysight Technologies January 2016-2019



**N6850-90001**

[www.keysight.com](http://www.keysight.com)