

Programmable DC Power Supplies

E36100B Series



Notices	6
Copyright Notice	6
Manual Part Number	6
Edition	6
Published by	6
Warranty	6
Technology Licenses	6
U.S. Government Rights	7
Third Party Licenses	7
Waste Electrical and Electronic Equipment (WEEE)	7
Declarations of Conformity	8
Safety Information	8
Safety and Regulatory Information	9
Safety Considerations	9
Safety Symbols	10
Regulatory Markings	11
South Korean Class A EMC declaration:	11
Safety and EMC Requirements	11
Environmental Conditions	12
1 Getting Started	13
Introduction	14
Front panel	14
Rear panel	15
Display	16
Dimension diagram	17
Setup the instrument	17
Options and Fuse Information	18
Ensure the correct AC input voltage and fuse settings	18
Programming Ranges	20
Table of programming and readback resolutions	20
Extending the Voltage Range and Current Range	21
Series connections	21
Parallel connections	21
Front Panel Operation	22
Configure the LAN interface	22
Set voltage and current	23
Specify 2- or 4-wire measurement	23
Configure Overcurrent Protection (OCP) and Overvoltage Protection (OVP)	24
Clear an OCP or OVP event	24
Clear an overtemperature protection (OTP) event	25
Lock and unlock the front panel	25
Save or recall the instrument's state	26
Configure the Power-on State	26
Read error codes	26
Remote Control	27
Keysight IO Libraries Suite	27
E36100B Series Web interface	27
Technical connection details	29
Rack Mounting the Instrument	30
Rack mounting a single instrument	30

Rack mounting multiple instruments side-by-side	30
2 SCPI Programming	32
Introduction to the SCPI Language	33
Command format used in this manual	34
Command separators	35
Using the MIN and MAX parameters	35
Querying parameter settings	35
SCPI command terminators	36
IEEE-488.2 common commands	36
SCPI parameter types	36
Error Messages	38
Error codes	38
SCPI Status Registers	42
What is an event register?	42
What is an enable register?	42
Standard Event Status Enable Register	43
Operation Status Register	43
Questionable Register	43
APPLY Subsystem	45
APPLY <voltage> DEFault MINimum MAXimum[, <current> DEFault MINimum MAXimum]APPLY?	45
CALibration Subsystem	46
CALibration:COUNT?	46
CALibration:CURRent[:DATA][:HIGH] <value>	46
CALibration:CURRent[:DATA]:LOW <value>	46
CALibration:CURRent:LEVel[:HIGH] MINimum MAXimum	46
CALibration:CURRent:LEVel:LOW MINimum MAXimum	46
CALibration:STATe <state>, <code>CALibration:STATe?	46
CALibration:STRing " <string>"CALibration:STRing?	47
CALibration:VOLTage[:DATA] <value>	47
CALibration:VOLTage:LEVel MINimum MAXimum	47
CURRent Subsystem	48
[SOURce:]CURRent[:LEVel][:IMMediate][:AMPLitude] <current> MINimum MAXimum UP DOWN	48
[SOURce:]CURRent[:LEVel][:IMMediate][:AMPLitude]? [MINimum MAXimum]	48
[SOURce:]CURRent[:LEVel][:IMMediate]:STEP[:INCRement] <current> DEFault[SOURce:]CURRent[:LEVel]	48
[:IMMediate]:STEP[:INCRement]? [DEFault]	48
[SOURce:]CURRent[:LEVel]:TRIGgered[:AMPLitude] <current> MINimum MAXimum[SOURce:]CURRent	48
[:LEVel]:TRIGgered[:AMPLitude]? [MINimum MAXimum]	48
[SOURce:]CURRent:PROTection:CLEar	48
[SOURce:]CURRent:PROTection:DElay[:TIME] <time> MINimum MAXimum[SOURce:]CURRent:PROTection:DElay[:TIME]? [MINimum MAXimum]	48
[SOURce:]CURRent:PROTection:STATe ON 1 OFF 0[SOURce:]CURRent:PROTection:STATe?	48
[SOURce:]CURRent:PROTection:TRIPped?	48
DISPlay Subsystem	49
DISPlay[:WINDow]:TEXT:CLEar	49
DISPlay[:WINDow]:TEXT[:DATA] " <string>"DISPlay[:WINDow]:TEXT[:DATA]	49
DISPlay[:WINDow][:STATe] ON 1 OFF 0DISPlay[:WINDow][:STATe]?	49
IEEE-488 Subsystem	50
*CLS	50
*ESE <enable value>*ESE?	50
*ESR?	50
*IDN?	50

*OPC*OPC?	51
*OPT?	51
*PSC 0 1*PSC?	51
*RST	51
*RCL <state>*SAV <state>	51
*SRE <enable value>*SRE?	52
*STB?	52
*TRG	52
*TST?	52
*WAI	52
MEASure Subsystem	53
MEASure:CURRent[:DC]?	53
MEASure[:VOLTagE][:DC]?	53
OUTPut Subsystem	54
OUTPut[:STATe] ON 1 OFF 0OUTPut[:STATe]?	54
OUTPut:PROTEction:CLEar	54
OUTPut:PON:STATe RST RCL0 RCL1 RCL2 RCL3 RCL4 RCL5 RCL6 RCL7 RCL8 RCL9 OUTPut:PON:STATe?	54
STATus Subsystem	55
STATus:OPERation:[EVENT]?	55
STATus:OPERation:CONDition?	55
STATus:OPERation:ENABle <value>	55
STATus:PRESet	55
STATus:QUEStionable:CONDition?	55
STATus:QUEStionable:ENABle <enable value>STATus:QUEStionable:ENABle?	56
STATus:QUEStionable:[EVENT]?	56
SYSTem Subsystem	57
SYSTem:ERRor[:NEXT]?	57
SYSTem:LOCal	57
SYSTem:REMote	57
SYSTem:RWLock	58
SYSTem:SECurity:IMMediate	58
SYSTem:VERSion?	58
TriggEring Commands	59
ABORt	59
INITiate[:IMMediate]	59
INITiate:CONTInuous ON 1 OFF 0INITiate:CONTInuous?	59
*TRG	59
TRIGger[:SEQuence]:DELay <seconds> MINimum MAXimumTRIGger[:SEQuence]:DELay? [MINimum MAXimum]	59
TRIGger[:SEQuence]:SOURce BUS IMMediateTRIGger[:SEQuence]:SOURce?	59
VOLTage Subsystem	60
[SOURce:]VOLTage[:LEVel][:IMMediate][:AMPLitude] <voltage> MINimum MAXimum DEFault	
[SOURce:]VOLTage[:LEVel][:IMMediate][:AMPLitude]? [MINimum MAXimum]	60
[SOURce:]VOLTage[:LEVel][:IMMediate]:STEP[:INCRement] <numeric value> DEFault[SOURce:]VOLTage[:LEVel][:IMMediate]:STEP[:INCRement]? [DEFault]	60
[SOURce:]VOLTage[:LEVel]:TRIGgered[:AMPLitude] <voltage> MIN MAX[SOURce:]VOLTage[:LEVel]:TRIGgered[:AMPLitude]? [MIN MAX]	60
[SOURce:]VOLTage:PROTEction:CLEar	60
[SOURce:]VOLTage:PROTEction:STATe ON 1 OFF 0[SOURce:]VOLTage:PROTEction:STATe?	60
[SOURce:]VOLTage:PROTEction:TRIPPed?	60
[SOURce:]VOLTage:PROTEction[:LEVel] <voltage> MINimum MAXimum[SOURce:]VOLTage:PROTEction[:LEVel]? [MINimum MAXimum]	60

[SOURce:]VOLTage:SENSe[:SOURce] INTernal EXTernal	61
3 Service and Support	62
Service and Repair	63
Types of service available	63
Cleaning and handling	63
Troubleshooting	64
Self-test procedures	65
To replace the power-line fuse	65
User replaceable parts	65
Performance Verification	66
Recommended test equipment	66
Test considerations	66
Measurement techniques	67
Setup for most tests	67
Constant Voltage (CV) verification	68
Constant Current (CC) verification	75
Low range current verification	78
Test Record Forms	79
Test Record Form - Keysight E36102B	80
Test Record Form - Keysight E36103B	81
Test Record Form - Keysight E36104B	82
Test Record Form - Keysight E36105B	83
Test Record Form - Keysight E36106B	85
Calibration Adjustment Procedures	87
Closed-case electronic calibration	87
Calibration interval	87
Calibration adjustment process	87
Calibration security	88
Calibration count	89
Calibration message	89
Saving calibration data	89
Calibration auto save	89
Calibration procedure	89
Save the calibration data	91
Specifications and Typical Characteristics	91

Notices

Copyright Notice

© Keysight Technologies, 2017-2022

No part of this manual may be reproduced in any form or by any means (including electronic storage and retrieval or translation into a foreign language) without prior agreement and written consent from Keysight Technologies as governed by United States and international copyright laws.

Manual Part Number

E36100-90002

Edition

Edition 5, November 2022

Published by

Keysight Technologies
Bayan Lepas Free Industrial Zone
11900 Penang
Malaysia

Warranty

THE MATERIAL CONTAINED IN THIS DOCUMENT IS PROVIDED “AS IS,” AND IS SUBJECT TO BEING CHANGED, WITHOUT NOTICE, IN FUTURE EDITIONS. FURTHER, TO THE MAXIMUM EXTENT PERMITTED BY APPLICABLE LAW, KEYSIGHT DISCLAIMS ALL WARRANTIES, EITHER EXPRESS OR IMPLIED, WITH REGARD TO THIS MANUAL AND ANY INFORMATION CONTAINED HEREIN, INCLUDING BUT NOT LIMITED TO THE IMPLIED WARRANTIES OF MERCHANTABILITY AND FITNESS FOR A PARTICULAR PURPOSE. KEYSIGHT SHALL NOT BE LIABLE FOR ERRORS OR FOR INCIDENTAL OR CONSEQUENTIAL DAMAGES IN CONNECTION WITH THE FURNISHING, USE, OR PERFORMANCE OF THIS DOCUMENT OR OF ANY INFORMATION CONTAINED HEREIN. SHOULD KEYSIGHT AND THE USER HAVE A SEPARATE WRITTEN AGREEMENT WITH WARRANTY TERMS COVERING THE MATERIAL IN THIS DOCUMENT THAT CONFLICT WITH THESE TERMS, THE WARRANTY TERMS IN THE SEPARATE AGREEMENT SHALL CONTROL.

Technology Licenses

The hardware and/or software described in this document are furnished under a license and may be used or copied only in accordance with the terms of such license.

U.S. Government Rights

The Software is “commercial computer software,” as defined by Federal Acquisition Regulation (“FAR”) 2.101. Pursuant to FAR 12.212 and 27.405-3 and Department of Defense FAR Supplement (“DFARS”) 227.7202, the U.S. government acquires commercial computer software under the same terms by which the software is customarily provided to the public. Accordingly, Keysight provides the Software to U.S. government customers under its standard commercial license, which is embodied in its End User License Agreement (EULA), a copy of which can be found at <http://www.keysight.com/find/sweula>. The license set forth in the EULA represents the exclusive authority by which the U.S. government may use, modify, distribute, or disclose the Software. The EULA and the license set forth therein, does not require or permit, among other things, that Keysight: (1) Furnish technical information related to commercial computer software or commercial computer software documentation that is not customarily provided to the public; or (2) Relinquish to, or otherwise provide, the government rights in excess of these rights customarily provided to the public to use, modify, reproduce, release, perform, display, or disclose commercial computer software or commercial computer software documentation. No additional government requirements beyond those set forth in the EULA shall apply, except to the extent that those terms, rights, or licenses are explicitly required from all providers of commercial computer software pursuant to the FAR and the DFARS and are set forth specifically in writing elsewhere in the EULA. Keysight shall be under no obligation to update, revise or otherwise modify the Software. With respect to any technical data as defined by FAR 2.101, pursuant to FAR 12.211 and 27.404.2 and DFARS 227.7102, the U.S. government acquires no greater than Limited Rights as defined in FAR 27.401 or DFAR 227.7103-5 (c), as applicable in any technical data.

Third Party Licenses

Portions of this software are licensed by third parties including open source terms and conditions. To the extent such licenses require that Keysight make source code available, we will do so at no cost to you. For more information, please contact Keysight support at <https://www.keysight.com/find/assist>.

Waste Electrical and Electronic Equipment (WEEE)

This product complies with the WEEE Directive) marketing requirement. The affixed product label (see below) indicates that you must not discard this electrical/electronic product in domestic household waste.

Product Category: With reference to the equipment types in the WEEE directive Annex 1, this product is classified as “Monitoring and Control instrumentation” product. Do not dispose in domestic household waste.

To return unwanted products, contact your local Keysight office, or see

about.keysight.com/en/companyinfo/environment/takeback.shtml for more information.



Declarations of Conformity

Declarations of Conformity for this product and for other Keysight products may be downloaded from the Web. Go to <https://regulations.about.keysight.com/DoC/default.htm>. You can then search by product number to find the latest Declaration of Conformity.

Safety Information

CAUTION

A CAUTION notice denotes a hazard. It calls attention to an operating procedure, practice, or the like that, if not correctly performed or adhered to, could result in damage to the product or loss of important data. Do not proceed beyond a CAUTION notice until the indicated conditions are fully understood and met.

WARNING

A WARNING notice denotes a hazard. It calls attention to an operating procedure, practice, or the like that, if not correctly performed or adhered to, could result in personal injury or death. Do not proceed beyond a WARNING notice until the indicated conditions are fully understood and met.

Safety and Regulatory Information

Safety Considerations

The following general safety precautions must be observed during all phases of operation, service, and repair of this instrument. Failure to comply with these precautions or with specific warnings elsewhere in this manual violates safety standards of design, manufacture, and intended use of the instrument. Keysight Technologies assumes no liability for the customer's failure to comply with these requirements.

WARNING

BEFORE APPLYING POWER

– Verify that the product is set to match the available line voltage and that the correct fuse is installed. Use the label on the bottom of the instrument to configure the power. See [Options and Fuse Information](#) for additional details.

GROUND THE INSTRUMENT

This product is a Safety Class I instrument (provided with a protective earth terminal). To minimize shock hazard, the instrument chassis and cabinet must be connected to an electrical ground. The instrument must be connected to the AC power supply mains through a three-conductor power cable, with the third wire firmly connected to an electrical ground (safety ground) at the power outlet. Any interruption of the protective (grounding) conductor or disconnection of the protective earth terminal will cause a potential shock hazard that could result in personal injury. If the instrument is to be energized via an external autotransformer for voltage reduction, be certain that the autotransformer common terminal is connected to the neutral (earthed pole) of the AC power lines (supply mains).

DO NOT OPERATE IN AN EXPLOSIVE ATMOSPHERE OR WET ENVIRONMENTS

Do not operate the device around flammable gases or fumes, vapor, or wet environments.

DO NOT OPERATE DAMAGED OR DEFECTIVE INSTRUMENTS

Instruments that appear damaged or defective should be made inoperative and secured against unintended operation until they can be repaired by qualified service personnel.

DO NOT SUBSTITUTE PARTS OR MODIFY INSTRUMENT

Because of the danger of introducing additional hazards, do not install substitute parts or perform any unauthorized modification to the instrument. Return the instrument to a Keysight Technologies Sales and Service Office for service and repair to ensure that safety features are maintained. To contact Keysight for sales and technical support, refer to the support links on the following Keysight website: www.keysight.com/find/assist (worldwide contact information for repair and service).

BE CAUTIOUS WHEN DEALING WITH OUTPUTS ABOVE 60 VDC

Always be cautious when dealing with output voltage above 60 VDC. Such voltage poses electrical shock hazard.

USE THE POWER CORD PROVIDED

Use the device with the power cord provided with the shipment.

USE THE DEVICE AS SPECIFIED

If the device is used in a manner not specified by manufacturer, the device protection may be impaired.

DO NOT BLOCK VENTILATION HOLES

Do not block any of the ventilation holes of the device.

WARNING

OBSERVE ALL DEVICE MARKINGS BEFORE CONNECTING TO DEVICE
 Observe all markings on the device before connecting any wiring to the device.



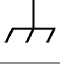




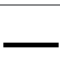

TURN DEVICE OFF BEFORE CONNECTING TO OUTPUT TERMINALS
 Turn off the device power before connecting to the output terminals.

ENSURE COVER IS SECURED IN PLACE
 Do not operate the device with the cover removed or loosened.

CAUTION

CLEAN WITH SLIGHTLY DAMPENED CLOTH
 Clean the outside of the instrument with a soft, lint-free, slightly dampened cloth. Do not use detergent, volatile liquids, or chemical solvents.

Safety Symbols

Symbol	Meaning
	Caution, risk of danger (refer to the manual for specific Warning or Caution information).
	Protective earth (ground) terminal.
	Frame or chassis (ground) terminal.
	In position of bi-stable push control.
	Out position of bi-stable push control.
	Alternating current (AC).
	Direct current (DC).
	Plus, positive polarity.
	Minus, negative polarity.

WARNING

The WARNING sign denotes a hazard. It calls attention to a procedure, practice, or the like, which, if not correctly performed or adhered to, could result in personal injury. Do not proceed beyond a WARNING sign until the indicated conditions are fully understood and met.





CAUTION

The CAUTION sign denotes a hazard. It calls attention to an operating procedure, or the like, which, if not correctly performed or adhered to, could result in damage to or destruction of part or all of the product. Do not proceed beyond CAUTION sign until the indicated conditions are fully understood and met.

NOTE

The NOTE sign denotes important information. It calls attention to a procedure, practice, condition or the like, which is essential to highlight.

Regulatory Markings

Symbol	Description
	The RCM mark is a registered trademark of the Australian Communications and Media Authority.
	The CE mark is a registered trademark of the European Community. This CE mark shows that the product complies with all the relevant European Legal Directives. ICES/NMB-001 indicates that this ISM device complies with the Canadian ICES-001. Cet appareil ISM est conforme a la norme NMB-001 du Canada. ISM GRP.1 Class A indicates that this is an Industrial Scientific and Medical Group 1 Class A product.
	This symbol indicates the time period during which no hazardous or toxic substance elements are expected to leak or deteriorate during normal use. Forty years is the expected useful life of the product.
	This symbol is a South Korean Class A EMC Declaration. This is a Class A instrument suitable for professional use and in electromagnetic environment outside of the home.
	The CSA mark is a registered trademark of the Canadian Standards Association.

South Korean Class A EMC declaration:

Information to the user:

This equipment has been conformity assessed for use in business environments. In a residential environment this equipment may cause radio interference.

- This EMC statement applies to the equipment only for use in business environment.

사용자 안내문

이 기기는 업무용 환경에서 사용할 목적으로 적합성평가를 받은 기기로서 가정용 환경에서 사용하는 경우 전파간섭의 우려가 있습니다.

- 사용자 안내문은 “업무용 방송통신기자재”에만 적용한다.

Safety and EMC Requirements

This power supply is designed to comply with the following safety and EMC (Electromagnetic Compatibility) requirements:

- Low Voltage Directive (2014/35/EU)
- EMC Directive (2014/30/EU)
- IEC61010-1:2010/EN61010-1:2010
- IEC61326-1:2012/EN61326-1:2013

Environmental Conditions

The E36100B Series is designed for indoor use and in an area with low condensation. The table below shows the general environmental requirements for this instrument.

Environmental condition	Requirement
Temperature	Operating condition: 0 °C to 40 °C
	Storage condition: -20 °C to 70 °C
Humidity	Operating condition: Up to 80% RH at 40 °C (non-condensing)
	Storage condition: Up to 90% RH at 65 °C (non-condensing)
Altitude	Up to 2000 m
Pollution degree	2
Installation category (AC input)	Category II

1 Getting Started

Introduction

Options and Fuse Information

Programming Ranges

Extending the Voltage Range and Current Range

Front-panel Operation

Remote Control

Rack Mounting the Instrument

This chapter describes the general operating information for the E36100B Series programmable DC power supplies.

Introduction

The Keysight E36100B Series is a series of DC bench and system power supplies with the following features and characteristics:

- Single output up to 100 V or 5 A
- Small size: two rack-units (2U), 1/4-rack form factor
- Remote sense capability
- Intuitive front panel
- High visibility organic light emitting diode (OLED) display
- High performance functionality: accuracy, transient response, and rise/fall time
- LAN (LXI Core) and USB interfaces for remote programming with SCPI

Front panel



Item	Description
A	Tough carrying handle
B	Information-packed, high-contrast OLED display; easily viewable even from sharp angles
C	Rotary knob for quick and easy configuration
D	Fast voltage/current setting and front-panel electronic calibration
E	Menu key opens intuitive user interface
F	Front-panel lock prevents accidental changes during tests
G	Output enable/disable switch to protect your DUT quickly
H	Dual-position power switch
I	Sense terminals
J	Output terminals
K	Earth ground reference point

Rear panel



The rear panel includes the power input, standard LAN and USB ports, and a security slot. Always use the power cord that arrived with the instrument or one with equivalent ratings.

Display

The power supply's front panel features a high-visibility OLED display.

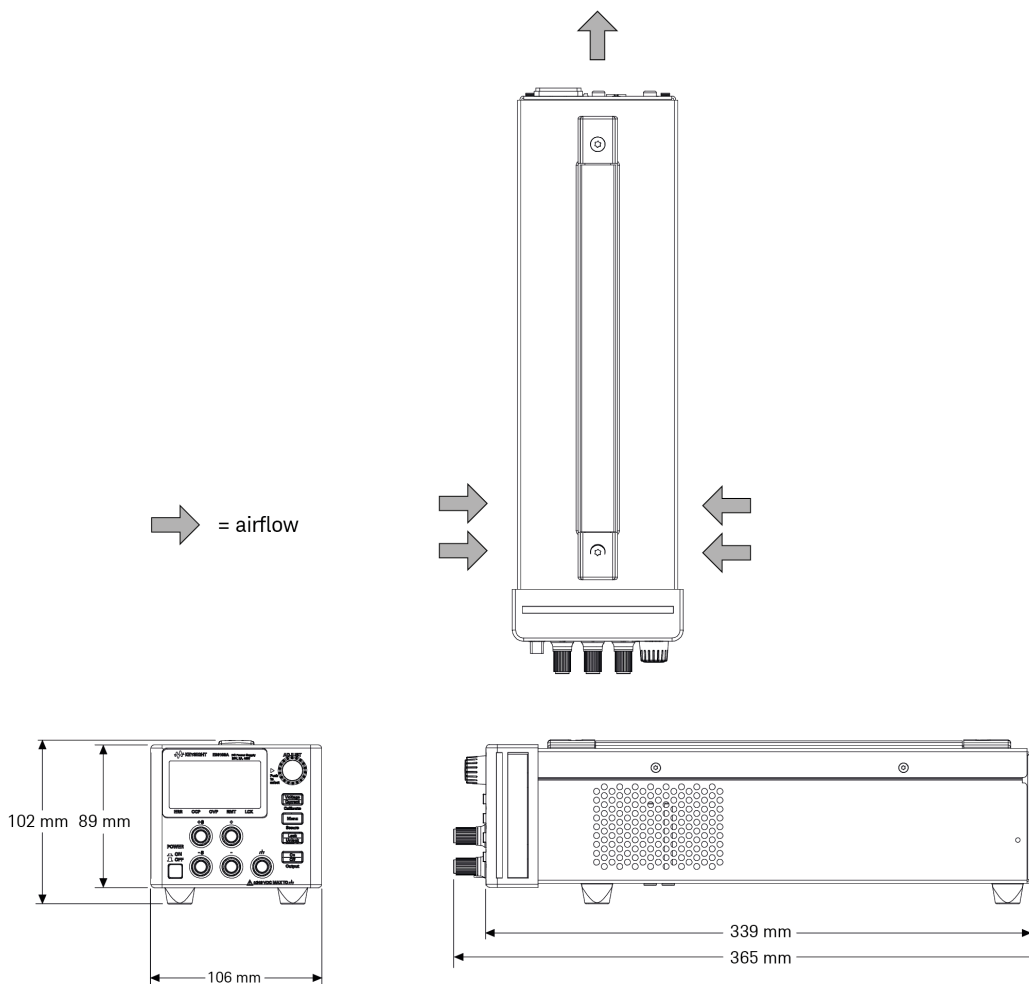


The upper left corner of the display shows either CV or CC to indicate that the instrument is in constant voltage or constant current mode. Below that is either 2W or 4W, to indicate whether 2-wire (normal) or 4-wire (remote sensing) measurement is in use. The right side of the display shows the output voltage and current (when the output is enabled), and the voltage and current settings are shown near the bottom of the screen.

The very bottom of the screen can show arrows, each of which represents a different annunciator.

Label	Meaning
ERR	An error has occurred.
OCP	An overcurrent protection event has occurred.
OVP	An overvoltage protection event has occurred.
RMT	The instrument is being programmed remotely.
LCK	The front panel is locked.

Dimension diagram



Setup the instrument

Place the instrument's feet on a flat, smooth horizontal surface. Connect output and sense leads to the front panel, being careful not to short the leads together. Attach the power cable to the rear panel, then plug it into main power. Connect LAN or USB cables as desired, and you may also secure the instrument with a security lock cable.

Before disconnecting cables and cords from the instrument, turn the instrument off using the front-panel power switch and disconnect from the supply source by unplugging the detachable power cord.

Options and Fuse Information

WARNING Ensure you order the proper instrument option for the mains power that will be used for the instrument.

Options OEM, OE3, and OE9 determine which power-line voltage is selected at the factory. The default is configured for 230 VAC \pm 10%, 47–63 Hz input voltage (option OE3).

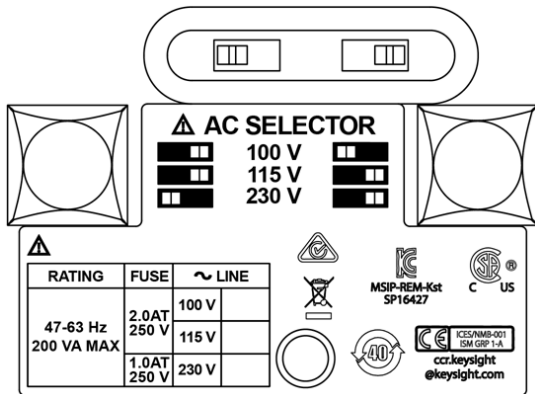
Option	Description
OEM	115 VAC \pm 10%, 47–63 Hz input voltage
OE3	230 VAC \pm 10%, 47–63 Hz input voltage
OE9	100 VAC \pm 10%, 47–63 Hz input voltage

Input power for E36102B, E36103B, E36104B, E36105B, and E36106B is 200 VA maximum.

Ensure the correct AC input voltage and fuse settings

Use the proper switch settings

To change the input AC voltage selector on the power supply, use the two AC selector switches on the underside of the power supply as shown.



For example, to select 230 V, slide the left switch to the left and the right switch to the right, as illustrated in the diagram below the switches.

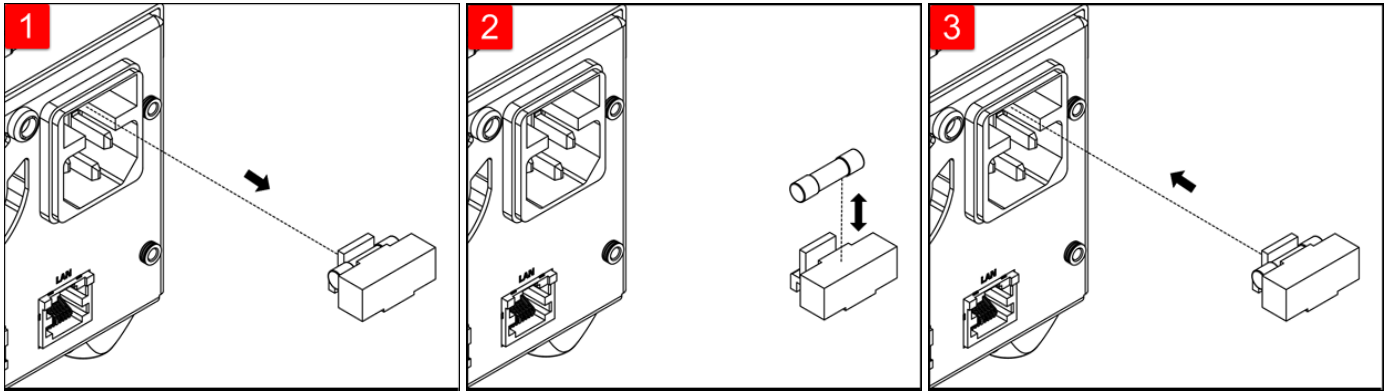
To select 115 V, slide both switches to the right, and to select 100 V, slide the two switches towards each other.

Use the correct fuse

You must use a time delay 2-A fuse for 100- and 115-VAC inputs, and a time delay 1-A fuse for 230-VAC inputs:

Part Number	Description	Manufacturer	Application
2110-1639	Fuse 1 A, 250 V Time-delay	Littelfuse	230-V line voltage
2110-1640	Fuse 2 A, 250 V Time-delay		100- and 115-V line voltage

To configure the correct fuse, follow the three steps shown below:



1 Pull the fuse holder out of the power supply.

2 Remove and insert the proper fuse into the fuse holder.

3 Re-insert the fuse holder into the power supply.

Programming Ranges

The following table shows the maximum voltage, current, and power that can be programmed for each model. The Default voltage is always 0 V.

Model	Max voltage (V)	Max current (A)	Max low range current (A)	Max power (W)
E36102B	6	5.0	0.020	30
E36103B	20	2.0	0.008	40
E36104B	35	1.0	0.004	35
E36105B	60	0.6	0.003	36
E36106B	100	0.4	0.002	40

Note that the actual programmable values are 3% above these nominal values, but instrument specifications are only guaranteed up to the values shown in this table.

Table of programming and readback resolutions

Model	Voltage programming	Voltage readback	Current programming	Current readback	Small current readback
E36102B	0.001 V	0.001 V	0.001 A	0.001 A	0.001 mA
E36103B	0.001 V	0.001 V	0.001 A	0.001 A	0.001 mA
E36104B	0.001 V	0.001 V	0.001 A	0.001 A	0.001 mA
E36105B	0.001 V	0.01 V	0.001 A	0.0001 A	0.001 mA
E36106B	0.001 V	0.01 V	0.001 A	0.0001 A	0.001 mA

Extending the Voltage Range and Current Range

The power supply may be able to provide voltages and currents greater than its rated maximum outputs if the power- line voltage is at or above its nominal value.

Operation can be extended up to 3% over the rated output without damage to the power supply, but performance cannot be guaranteed to meet specifications in this region. If the power- line voltage is maintained in the upper end of the input voltage range, the power supply will probably operate within its specifications. The power supply is more likely to stay within specifications if only one of the voltage or current outputs is exceeded.

Series connections

You can connect up to four E36100B Series power supplies up to the output isolation rating of any one supply to obtain a higher voltage than a single power supply can produce. Series-connected power supplies can be operated with one load across both power supplies or with a separate load for each power supply. The power supply has a reverse polarity diode connected across the output terminals so that if operated in series with other power supplies, damage will not occur if the load is short-circuited or if one power supply is turned on separately from its series partners.

When the series connection is used, the output voltage is the sum of the voltages of the individual power supplies. The current is the current of any one power supply. Each of the individual power supplies must be adjusted in order to obtain the total output voltage.

Parallel connections

You can connect up to four E36100B Series power supplies in parallel to obtain a total output current greater than a single power supply can produce. The total output current is the sum of the output currents of the individual power supplies. The output of each power supply can be set separately. The output voltage controls of one power supply should be set to the desired output voltage; the other power supply should be set for a slightly higher output voltage. The supply with the higher output voltage setting will deliver its constant current output, and drop its output voltage until it equals the output of the other supply, and the other supply will remain in the constant voltage operation and only deliver that fraction of its rated output current which is necessary to fulfill the total load demand.

Front Panel Operation

This section describes how to perform the following operations from the instrument's front panel.

Configure the LAN interface

Set voltage and current

Specify 2- or 4-wire measurement

Configure Overcurrent Protection (OCP) and Overvoltage Protection (OVP)

Clear an OCP or OVP event

Clear an overtemperature protection (OTP) event

Lock and unlock the front panel

Save or recall the instrument's state

Configure the Power-on State

Read error codes

Configure the LAN interface

You should generally be able to connect to the LAN by simply connecting the LAN cable and turning the instrument on. However, you can use the procedure below if you want to specify connections other than the default values or if you need to see what a given value is. This section provides procedures for viewing and changing LAN settings.

1. Press **[Menu]**.
2. Turn the knob to **I/O Config** and press the knob.
3. Turn the knob to **LAN** and press the knob.
4. Turn the knob to the desired IP Address to a value of the form xxx.xxx.xxx.xxx, where each xxx represents a base 10 number from 0 to 255. Press **[Voltage/Current]** to move between numbers, then press the knob to finish.
5. The instrument will briefly display CHANGE SAVED to indicate success.
6. Turn the knob to the desired Subnet address using the same method with which you set the IP Address. Then press the knob to select.
7. The instrument will briefly display CHANGE SAVED to indicate success.
8. Turn the knob to the desired Gateway address. Then press the knob to select.
9. The instrument will briefly display CHANGE SAVED to indicate success.
10. Press **[Menu]** to exit the menu system.

Set voltage and current

NOTE If you are in a menu, you must exit the menu before setting the voltage and current.

1. Press **[Voltage / Current]**.
2. Turn the knob to the desired voltage value, pushing the knob to move between digits.
3. Press **[Voltage / Current]**.
4. Turn the knob to the desired current value, pushing the knob to move between digits.
5. Press **[Voltage / Current]**.
6. If the display currently shows OFF, press **[Output On / Off]** to enable the output. Press this key again to turn the output off.

Constant voltage and constant current

If the output load resistance exceeds the voltage setting divided by the current setting, the instrument will operate in constant voltage mode. The current will equal the voltage divided by the load resistance.

If the output load resistance is less than the voltage setting divided by the current setting, the instrument will operate in constant current mode. The voltage will equal the current multiplied by the load resistance.

Specify 2- or 4-wire measurement

You have the option to use the remote sense terminals on the front panel to measure the voltage at the device under test (DUT). To specify whether you want to use this option:

1. Press **[Menu]**.
2. Turn the knob to **Sense Setting** and press the knob.
3. Turn the knob to **Internal** or **External** and press the knob.

The internal setting sets a relay within the power supply to connect the output and sensing connector. This means that only two wires are used; and remote sensing is disabled. The external setting sets a relay within the power supply to disconnect the output and remote sensing inputs. This means that four wires are used; and remote sensing is enabled.

Configure Overcurrent Protection (OCP) and Overvoltage Protection (OVP)

1. Press **[Menu]**.
2. Turn the knob to **OCP Set** or **OVP Set** and press the knob.
3. Press the knob again to choose OCP Delay or OVP Level.
4. Turn the knob to the desired OCP or OVP limit value. Then press the knob.
5. Turn the knob to **OCP On**, **OCP Off**, **OVP On**, or **OVP Off** and press the knob to enable or disable OCP or OVP.
6. Turn the knob to **Exit Menu** and press the knob.

NOTE If OCP or OVP is enabled, the instrument will display a triangle above the OCP or OVP annunciator.

Clear an OCP or OVP event

The instrument prominently displays an OCP TRIPPED or OVP TRIPPED message to indicate an overcurrent or overvoltage event. The triangle above OCP or OVP flashes continuously until the event is cleared.

NOTE The output will be automatically turned OFF when OCP/OVP occurs.

1. To begin, correct the condition that caused the OCP or OVP event. There are three ways to do this:
 - a. Turn off OCP or OVP as described above.
 - b. Set the current or voltage level to be less than the OCP or OVP level. You may be able to do this by adjusting the voltage setting, the current setting, or the resistance of the load.
 - c. Set the OCP or OVP limit value to be above the current or voltage level.
2. Press **[Menu]**.
3. Turn the knob to **OCP Set** or **OVP Set** and press the knob.
4. Turn the knob to the desired OCP or OVP limit value (if it needs to be changed). Then press the knob.
5. Turn the knob to **OCP Clear** or **OVP Clear** and press the knob.

Clear an overtemperature protection (OTP) event

The instrument prominently displays an OTP TRIPPED message to indicate an OTP event. In addition, the triangle above ERR will flash continuously until the error event is cleared.

NOTE The output will be automatically turned OFF when OTP occurs.

The overtemperature event will be logged in the Error list, and you must clear the OTP event before the output can be turned ON again.

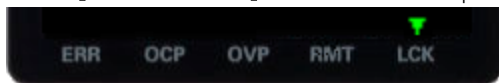
1. To begin, correct the condition that caused the OTP event and allow the instrument to cool.
2. Press **[Menu]**.
3. Turn the knob to **Error** and press the knob. The instrument will briefly display a message like 3 ERRORS (the number will vary) to indicate how many errors are in the queue.
4. Turn the knob to cycle through the error codes, recording them as you go. Press the knob to view the error description. Press **[Menu]** to exit and clear the error list.

NOTE An OTP event will occur again after it is cleared if the instrument remains overheated.

Lock and unlock the front panel

NOTE If you are in a menu, you must exit the menu before locking the front panel.

1. Press **[Lock / Unlock]** to lock the front panel. This produces an LCK annunciator triangle, as shown below.



2. If you press a key after the front panel is locked, the display will read HOLD KEY. That message indicates that you must press and hold the **[Lock / Unlock]** key to unlock the front panel and clear the LCK triangle.

Save or recall the instrument's state

The instrument allows you to save and recall the instrument state in one of 10 memory locations, labeled 0 through 9. This allows you to quickly configure the instrument for commonly used applications.

An instrument state includes the instrument's output enable status, voltage and current settings, and OCP and OCV settings. It does not include error codes or LAN configuration information.

To save or recall the instrument state

1. Press **[Menu]**.
2. Turn the knob to **Store** (or **Recall**) and press the knob.
3. Turn the knob to an option from **Store 0** to **Store 9** (or **Recall 0** to **Recall 9**) and press the knob to store or recall the present state of the instrument in the specified memory location.
4. The instrument will briefly display DONE.

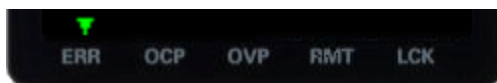
Configure the Power-on State

The instrument allows you to recall the power-on state as either the default (*RST) state or the state stored in one of 10 memory locations (0 through 9). To configure the power-on state:

1. Press **[Menu]**.
2. Turn the knob to **Power-on** and press the knob.
3. Turn the knob to Default, or a state from Recall 0 to Recall 9 and press the knob to make your selection.
4. The instrument will briefly display CHANGED SAVED if the recall state is different from the previous state, and NO CHANGE if the same state was selected.

Read error codes

NOTE You only need to do this if there is a triangle over **ERR** in the lower left corner of the screen, as shown below. Be sure to follow the procedure below carefully, and record each error code in order. Once you exit this menu, there is no way to retrieve the error codes again.



1. Press **[Menu]**.
2. Turn the knob to **Error** and press the knob. The instrument will briefly display a message like 3 ERRORS (the number will vary) to indicate how many errors are in the queue.
3. Turn the knob to cycle through the error codes, recording them as you go.

Remote Control

You can control the instrument remotely in two ways. To program the instrument via SCPI, use Keysight IO Libraries. To control the instrument via a simulated front panel, use the instrument's Web interface.

Keysight IO Libraries Suite

Keysight IO Libraries Suite is a collection free instrument control software that automatically discovers instruments and allows you to control instruments over the LAN, USB, GPIB, RS-232, and other interfaces. For more information, or to download IO Libraries, go to www.keysight.com/find/iosuite.

E36100B Series Web interface

You can monitor control the instrument from a Web browser by using the instrument's Web interface. To connect, simply enter the instrument's IP address or hostname in your browser's address bar and hit Enter.

NOTE

If you see an error indicating 400: Bad Request, that is related to an issue with "cookies" in your Web browser. To avoid this issue, either start the Web interface by using the IP address (not host name) in the address bar, or clear cookies from your browser immediately before starting the Web interface.

KEYSIGHT E36102B DC Power Supply 6V, 5A, 30W
TECHNOLOGIES Serial number: MY57086423

Log out

Home Control Instrument Configure LAN

Connected to E36102B DC Power Supply

Enable front panel identification indicator

Description	
Model number	E36102B DC Power Supply 6V, 5A, 30W
Serial number	MY57086423
Firmware revision	1.0.0-1.00
Description	Keysight E36102B DC Power Supply - MY57086423

VISA instrument addresses	
VXI-11 LAN protocol	TCPIP::
USB (USBTMC488)	USB::

More Information

Check the checkbox below the picture of the instrument to enable an indicator on the instrument's front panel. This is helpful if you have several E36100B Series instruments and you wish to identify the one to which you are connected.


The Configure LAN tab on the top allows you to change the instrument's LAN parameters; exercise caution when doing so, as you may interrupt your ability to communicate with the instrument.


When you click the Control Instrument tab, the instrument will ask you for a password (default is *keysight*, all lower case), and then it will open a new page, shown below.

KEYSIGHT E36102B DC Power Supply 6V, 5A, 30W
TECHNOLOGIES Serial number: MY57086423 Log out ⚙

Home **Control Instrument** Configure LAN ⓘ

Control Instrument > Soft Front Panel **LXI**

 Warning: Should network communication issues occur, the reported readings and instrument configuration settings shown in the Soft Front Panel may not represent the actual readings or instrument state. Do not rely on the reported readings from the Soft Front Panel to determine if a circuit that may have hazardous voltages present is safely de-energized.



Screenshot

This interface allows you to use the instrument just as you would from the front panel. Note the curved arrow keys that allow you to "turn" the knob. You can click the knob to "push" it, just as you would push any of the other keys on the front panel.

WARNING Read warning
Be sure to read and understand the warning at the top of the Control Instrument page.

Technical connection details

In most cases, you can easily connect to the instrument with the IO Libraries Suite or Web interface. In certain circumstances, it may be helpful to know the following information.

Interface	Details
VXI-11	VISA String: TCPIP0::<IP Address>::inst0::INSTR
LAN	Example: TCPIP0::192.168.10.2::inst0::INSTR
Web UI	Port number 80, URL http://<IP address>/
	USB0::0x2A8D::<Prod ID>::<Serial Number>::0::INSTR
	Example: USB0::0x2A8D::0x0902::MY55160003::0::INSTR
	The vendor ID: 0x2A8D, the product ID is 0x0902, and the instrument serial number is MY55160003.
	The product ID varies by model: 0x1502 (E36102B), 0x1602 (E36103B), 0x1702 (E36104B), 0x1802 (E36105B), 0x1902 (E36106B).

Using sockets

NOTE Power supplies allow data socket to be made.

Keysight instruments have standardized on using port 5025 for SCPI socket services. A data socket on this port can be used to send and receive ASCII/SCPI commands, queries, and query responses. All commands must be terminated with a newline for the message to be parsed. All query responses will also be terminated with a newline.

Rack Mounting the Instrument

NOTE Use the Rack Mount kit as stated below to rack mount the instrument. Installation instructions are provided with the rack mount kit.

Be sure to use the support rails in the rack cabinet.

CAUTION To prevent overheating, do not block airflow to or from the instrument. Allow enough clearance at the rear, sides, and bottom of the instrument to permit adequate internal air flow.

The power supply can be mounted in a standard 19-inch rack cabinet. They are designed to fit in two rack-units (2U) of space.

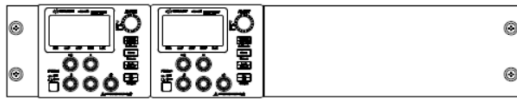
Remove the feet before rack mounting the unit. Do not block the air intake and exhaust at the sides and rear of the unit.

Rack mounting a single instrument

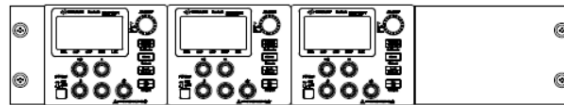
To rack mount a single instrument, order E36102-66502.



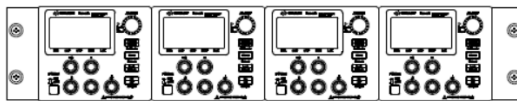
Rack mounting multiple instruments side-by-side



Rack mount kit with flange for 2 units (E36102-66503)



Rack mount kit with flange for 3 units (E36102-66504)



Rack mount kit with flange for 4 units (E36102-66505)



Rack mount kit with flange and handles for 4 units (E36102-66506)

2 SCPI Programming

Introduction to the SCPI Language

Error Messages

SCPI Status Registers

APPLy Subsystem

CALibration Subsystem

CURRent Subsystem

DISPlay Subsystem

IEEE-488 Subsystem

MEASure Subsystem

OUTPut Subsystem

STATus Subsystem

SYSTem Subsystem

Triggering Commands

VOLTage Subsystem

This chapter describes the programming information for the E36100B Series programmable DC power supplies.

Introduction to the SCPI Language

Standard Commands for Programmable Instruments (SCPI) is an ASCII- based instrument command language designed for test and measurement instruments. Refer to Simplified Programming Overview for basic techniques for programming the power supply over the remote interface.

SCPI commands are based on a hierarchical structure, also known as a tree system. In this system, associated commands are grouped together under a common node or root, thus forming subsystems. A portion of the SOURce subsystem is shown below to illustrate the tree system.

[SOURce:]

CURRent {<current>|MIN|MAX|UP|DOWN} CURRent? [MIN|MAX]

CURRent:

 TRIGgered {<current>|MIN|MAX} TRIGgered? {MIN|MAX}

VOLTage {<voltage>|MIN|MAX|UP|DOWN} VOLTage? [MIN|MAX]

VOLTage:

 TRIGgered {<voltage>|MIN|MAX} TRIGgered? {MIN|MAX}

SOURce is the root keyword of the command, CURRent and VOLTage are second-level keywords, and TRIGgered is the third- level keyword. A colon (:) separates a command keyword from a lower- level keyword.

Command format used in this manual

The format used to show commands in this manual is shown below:

```
CURRent {<current>|MINimum|MAXimum|UP|DOWN}
```

The command syntax shows most commands (and some parameters) as a mixture of upper- case and lower- case letters. The upper- case letters indicate the abbreviated spelling for the command. For shorter program lines, send the abbreviated form. For better program readability, send the long form.

For example, in the above syntax statement, CURR and CURRENT are both acceptable forms. You can use upper- case or lower- case letters. Therefore, CURRENT, curr, and Curr are all acceptable. Other forms, such as CUR and CURREN, will generate an error.

Braces ({}) enclose the parameter choices for a given command string. The braces are not sent with the command string.

A vertical bar (|) separates multiple parameter choices for a given command string.

Triangle brackets (<>) indicate that you must specify a value for the enclosed parameter. For example, the above syntax statement shows the current parameter enclosed in triangle brackets. The brackets are not sent with the command string. You must specify a value for the parameter (such as CURR 0.1).

Some parameters are enclosed in square brackets ([]). The brackets indicate that the parameter is optional and can be omitted. The brackets are not sent with the command string. If you do not specify a value for an optional parameter, the power supply chooses a default value.

A colon (:) separates a command keyword from a lower-level keyword. You must insert a blank space to separate a parameter from a command keyword. If a command requires more than one parameter, you must separate adjacent parameters using a comma as shown below:

```
SOURce:CURRent:TRIGgered
```

```
APPLy 3.5,1.5
```

Command separators

A colon (:) separates a command keyword from a lower-level keyword as shown below:

```
SOURce:CURRent:TRIGgered
```

A semicolon (;) is used to separate two commands within the same subsystem, and can also minimize typing. For example, sending the following command string,

```
SOUR:VOLT MIN;CURR MAX
```

is the same as sending the following two commands:

```
SOUR:VOLT MIN
```

```
SOUR:CURR MAX
```

Use a colon and a semicolon to link commands from different subsystems. For example, in the following command string, an error is generated if you do not use the colon and semicolon:

```
DISP:TEXT:CLE;:SOUR:CURR MIN
```

Using the MIN and MAX parameters

You can substitute MINimum or MAXimum in place of a parameter for many commands. For example, consider the following command:

```
CURRent {<current>|MIN|MAX}
```

Instead of selecting a specific current, you can substitute MINimum to set the current to its minimum value or MAXimum to set the current to its maximum value.

Querying parameter settings

You can query the value of most parameters by adding a question mark (?) to the command. For example, the following command sets the output current to 5 A:

```
CURR 5
```

You can query the value by executing:

```
CURR?
```

You can also query the maximum or minimum value allowed with the present function as follows:

```
CURR? MAX CURR? MIN
```

CAUTION If you send two query commands without reading the response from the first, and then attempt to read the second response, you may receive some data from the first response followed by the complete second response. To avoid this, do not send a query command without reading the response. When you cannot avoid this situation, send a device clear before sending the second query command.

SCPI command terminators

A command string sent to the power supply must terminate with a <new line> character. The IEEE- 488 EOI (end-or-identify) message is interpreted as a <new line> character and can be used to terminate a command string in place of a <new line> character. A <carriage return> followed by a <new line> is also accepted. Command string termination will always reset the current SCPI command path to the root level. The <new line> character has the ASCII decimal code of 10.

IEEE-488.2 common commands

The IEEE- 488.2 standard defines a set of common commands that perform functions like reset, self- test, and status operations. Common commands always begin with an asterisk (*), are four to five characters in length, and may include one or more parameters. The command keyword is separated from the first parameter by a blank space. Use a semicolon (;) to separate multiple commands as shown below:

```
*RST; *CLS; *ESE 32; *OPC?
```

SCPI parameter types

The SCPI language defines several different data formats to be used in program messages and response messages.

Numeric parameters

Commands that require numeric parameters will accept all commonly used decimal representations of numbers including optional signs, decimal points, and scientific notation. Special values for numeric parameters like MINimum, MAXimum, and DEFault are also accepted.

You can also send engineering unit suffixes (V, A, or SEC) with numeric parameters. If only specific numeric values are accepted, the power supply will automatically round the input numeric parameters. The following command uses a numeric parameter:

```
CURR {<current>|MIN|MAX|UP|DOWN}
```

Discrete parameters

Discrete parameters are used to program settings that have a limited number of values such as BUS and IMM. Query responses will always return the short form in all upper- case letters. The following command uses discrete parameters:

```
TRIG:SOUR {BUS|IMM}
```

Boolean parameters

Boolean parameters represent a single binary condition that is either true or false. For a false condition, the power supply will accept OFF or 0. For a true condition, the power supply will accept ON or 1. When you query a boolean setting, the power supply will always return 0 or 1. The following command uses a boolean parameter:

```
DISP {OFF|ON}
```

String parameters

String parameters can contain virtually any set of ASCII characters. A string must begin and end with matching quotes; either with a single quote or with a double quote. You can include the quote delimiter as part of the string by typing it twice without any characters in between. The following command uses a string parameter:

```
DISP:TEXT <quoted string>
```

Error Messages

The instrument returns error messages in accordance with the SCPI standard.

- Up to 20 errors can be stored in the instrument's error queue, and the triangle annunciator above **ERR** turns on when one or more errors are in the error queue.
- Error retrieval is first-in-first-out (FIFO), and errors are cleared as you read them. When you have read all errors from the error queue, the **ERR** annunciator turns off.
- If more than 20 errors have occurred, the last error stored in the queue (the most recent error) is replaced with -350,"Queue overflow". No additional errors are stored until you remove errors from the queue. If no errors have occurred when you read the error queue, the instrument responds with +0,"No error".
- Send **SYSTem:ERRor?** to read the most recent error. Each error is in the format: -104,"Data type error".
- To read the error queue from the front panel, press **[Menu]**, then turn the knob to **Error** and press the knob to select it. Then rotate the knob to view the error codes. Be sure to record the error messages, because they will be cleared when you exit the error list.
- The error queue is cleared by power cycles and ***CLS.**, but not ***RST.**

Error codes

The instrument's error codes are listed below:

- 440,"Query UNTERMINATED after indefinite response"
- 430,"Query DEADLOCKED"
- 420,"Query UNTERMINATED"
- 410,"Query INTERRUPTED"
- 400,"Query error"
- 363,"Input buffer overrun"
- 350,"Queue overflow"
- 330,"Self-test failed"
- 310,"System error"
- 277,"Macro redefinition not allowed"
- 276,"Macro recursion error"
- 273,"Illegal macro label"
- 272,"Macro execution error"
- 270,"Macro error"
- 241,"Hardware missing"
- 230,"Data corrupt or stale"

-225, "Out of memory"
-224, "Illegal parameter value"
-223, "Too much data"
-222, "Data out of range"
-221, "Settings conflict"
-213, "Init ignored"
-211, "Trigger ignored"
-200, "Execution error"
-183, "Invalid inside macro definition"
-181, "Invalid outside macro definition"
-178, "Expression data not allowed"
-171, "Invalid expression"
-170, "Expression error"
-168, "Block data not allowed"
-161, "Invalid block data"
-158, "String data not allowed"
-151, "Invalid string data"
-150, "String data error"
-148, "Character data not allowed"
-141, "Invalid character data"
-138, "Suffix not allowed"
-134, "Suffix too long"
-131, "Invalid suffix"
-128, "Numeric data not allowed"
-124, "Too many digits"
-123, "Exponent too large"
-121, "Invalid character in number"
-114, "Header suffix out of range"
-113, "Undefined header"
-112, "Program mnemonic too long"

-109, "Missing parameter"
-108, "Parameter not allowed"
-105, "GET not allowed"
-104, "Data type error"
-103, "Invalid separator"
-102, "Syntax error"
-101, "Invalid character"
-100, "Command error"
514, "LAN config error"
561, "Analog board - failed to save to EEPROM"
564, "Analog board - failed to load from EEPROM"
565, "Analog board - over temperature"
566, "Analog board - command timed out"
601, "Front panel does not respond"
609, "System ADC test failed"
610, "I/O board not plugged in"
611, "Unsupported I/O board"
612, "Analog board does not respond"
613, "Analog bias output $\pm 15V$ test failed"
614, "EEPROM test failed"
615, "EEPROM save failed"
616, "Model no mismatched"
630, "Fan test failed"
631, "System DAC test failed"
701, "Cal security disabled by jumper"
702, "Invalid state. Cal secured"
703, "Invalid secure code"
704, "Secure code too long"
708, "Cal output disabled"
717, "Cal OVP or OCP status enabled"

721, "Failed to calibrate voltage DAC"
722, "Failed to calibrate voltage ADC"
723, "Failed to calibrate OVP"
724, "Failed to calibrate current DAC"
725, "Failed to calibrate current ADC"
726, "Failed to calibrate OCP"
727, "Invalid Calibration sequence"
728, "Calibration failed"

SCPI Status Registers

All SCPI instruments implement status registers in the same way. The status system records various instrument conditions in three register groups: the Status Byte register, the Standard Event register, and the Questionable Status register groups. The Status Byte register records high-level summary information reported in the other register groups.

What is an event register?

An event register is a read-only register that reports defined conditions within the instrument. Bits in an event register are latched. Once an event bit is set, subsequent state changes are ignored. Bits in an event register are automatically cleared by a query of that register (such as *ESR? or STAT:QUES:EVEN?) or by sending the *CLS (clear status) command. A reset (*RST) or device clear will not clear bits in event registers. Querying an event register returns a decimal value corresponding to the binary-weighted sum of all bits set in the register.

What is an enable register?

An enable register defines which bits in the corresponding event register are logically ORed together to form a single summary bit. Enable registers are both readable and writable. Querying an enable register will not clear it. The *CLS (clear status) command does not clear enable registers but it does clear the bits in the event registers. To enable bits in an enable register, you must write a decimal value which corresponds to the binary-weighted sum of the bits you wish to enable in the register.

Standard Event Status Enable Register

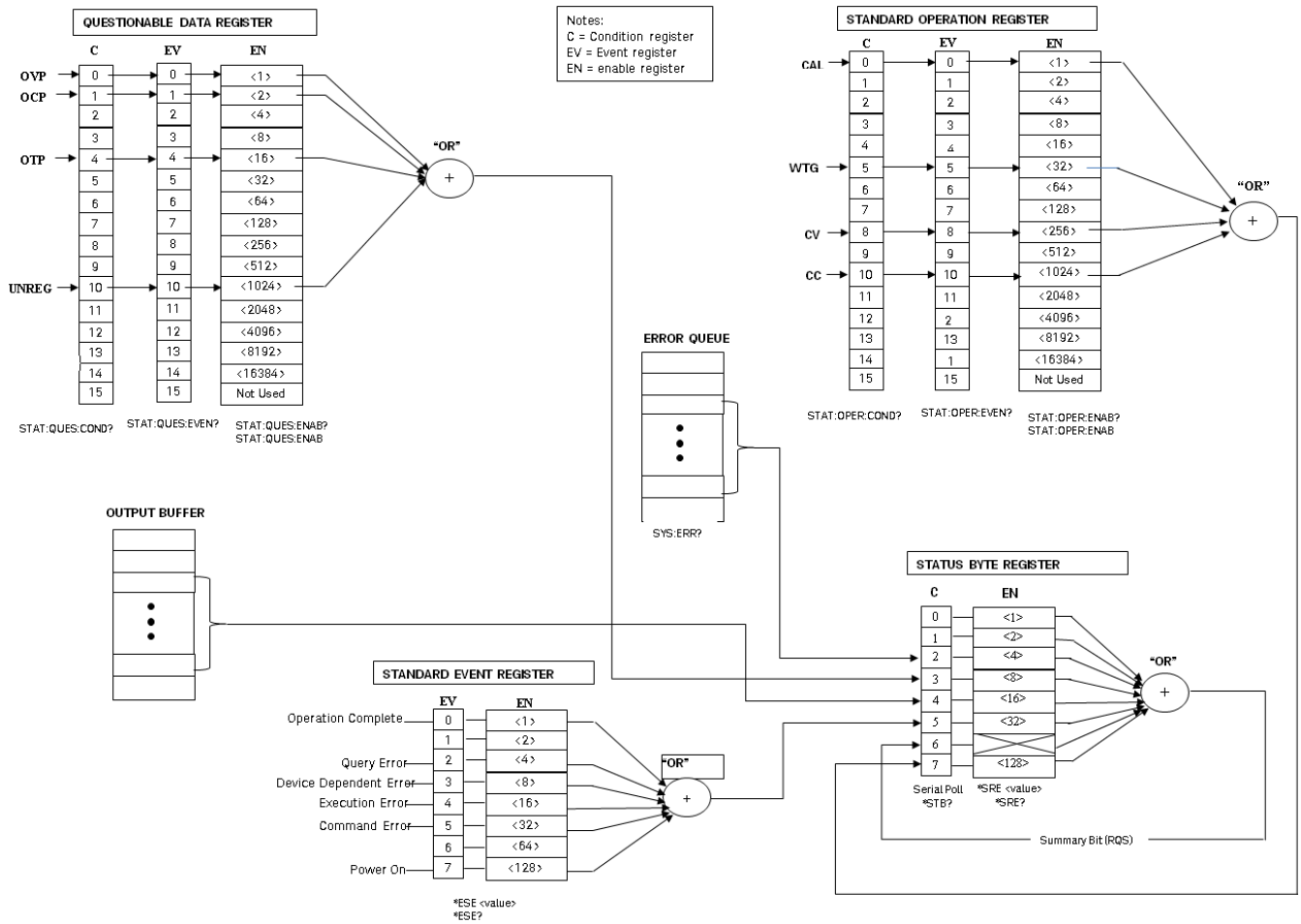
Bit	Value	Name	Description
0	1	OPC	Operation complete
1	2	(unused)	(reserved for future use)
2	4	QYE	Query error
3	8	DDE	Device dependent error
4	16	EXE	Execution error
5	32	CME	Command error
6	64	(unused)	(reserved for future use)
7	128	PON	Power-on

Operation Status Register

Bit	Value	Name	Description
0	1	CAL	The output is computing new calibration constants
1-4	2-16	(unused)	(reserved for future use)
5	32	WTG	The output is waiting for a trigger.
6-7	64-128	(unused)	(reserved for future use)
8	256	CV	The output is in constant voltage mode.
9	512	(unused)	(reserved for future use)
10	1024	CC	The output is in constant current mode.

Questionable Register

Bit	Value	Name	Description
0	1	OV	Output disabled by overvoltage protection
1	2	OC	Output disabled by overcurrent protection
2-3	4-8	(unused)	(reserved for future use)
4	16	OT	Output disabled by overtemperature protection
5-9	32-512	(unused)	(reserved for future use)
10	1024	UNR	Output is unregulated



APPLy Subsystem

APPLy <voltage>| DEFault | MINimum | MAXimum[,<current>| DEFault | MINimum | MAXimum]
APPLy?

Specifies and changes the output voltage and current in one command.

- The DEFault, MINimum, and MAXimum values for each mode are shown in **Programming Ranges**.
- The query returns a quoted string with the voltage setting before the current setting.
- Both values returned by the query have five decimal points: "25.00000,0.75000"

CALibration Subsystem

For a detailed discussion on the calibration procedures, see [Calibration Adjustment Procedures](#).

CALibration:COUNT?

Returns the number of times the instrument has saved calibration data as a signed whole number, for example +21. Your instrument was calibrated at the factory; read and record the initial count when you receive the instrument.

CALibration:CURRENT[:DATA][:HIGH] <value>

Enters an output current value (in amps) that you obtained by reading a DMM. You must first select a calibration level (CAL:CURRE:LEV) for the value being entered. This command can only be used when calibration is unsecured and output is ON.

CALibration:CURRENT[:DATA]:LOW <value>

Enters an output current value (in amps) that you obtained by reading a DMM. This is similar to CALibration:CURRENT[:DATA][:HIGH], but it is only used for small current calibration. This command can only be used when calibration is unsecured and output is ON.

CALibration:CURRENT:LEVEL[:HIGH] MINimum|MAXimum

Initiates calibration for a specific current level. The MINimum calibration must be performed before the MAXimum, and you must unsecure this instrument to use this command.

CALibration:CURRENT:LEVEL:LOW MINimum|MAXimum

Initiates small current calibration for a specific current level. The MINimum calibration must be performed before the MAXimum, and you must unsecure this instrument to use this command.

CALibration:STATE <state>, <code>

CALibration:STATE?

Unsecures or secures the power supply with the calibration security code Of up to nine digits. The query returns 1 (ON - unsecured for calibration) or 0 (OFF - secured against calibration).

- The query only returns the state; it does not return the passcode.
- The security code is nonvolatile, and does is not changed by power cycling or *RST.
- The front panel limits the user to entering codes of up to six digits.
- The default passcodes are 36102, 36103, 36104, 36105, and 36106.
- Example: Unlock the instrument to enable calibration: CAL:STATE 1,36102

CALibration:STRing "<string>"

CALibration:STRing?

Record or read up to 40 characters of instrument calibration information.

- You can store any information related to calibration, such as date or contact information.
- The power supply must be unsecured before sending a calibration message.
- You can read the string regardless of whether the supply is secured.

CALibration:VOLTage[:DATA] <value>

Enters an output voltage value (in volts) that you obtained by reading a DMM.

- You must first select a calibration level (CAL:CURR:LEV) for the value being entered.
- This command can only be used when calibration is unsecured and output is ON.

CALibration:VOLTage:LEVel MINimum|MAXimum

Initiates calibration for a specific voltage level. You must do the MINimum calibration before the MAXimum, and this command can only be used when calibration is unsecured.

CURRent Subsystem

[SOURce:]CURRent[:LEVel][:IMMediate][:AMPLitude] <current> | MINimum | MAXimum | UP | DOWN
[SOURce:]CURRent[:LEVel][:IMMediate][:AMPLitude]? [MINimum | MAXimum]

Programs the immediate current level of the instrument's output. See [Programming Ranges](#) for details.

This command changes the output immediately. The UP and DOWN parameters increase or decrease the immediate current by the amount specified by CURRent:STEP. A setting that exceeds the maximum or minimum rated current will cause error -222 (Data out of range).

[SOURce:]CURRent[:LEVel][:IMMediate]:STEP[:INCRement] <current> | DEFault
[SOURce:]CURRent[:LEVel][:IMMediate]:STEP[:INCRement]? [DEFault]

Sets the step size for current programming with the CURRent UP and CURRent DOWN commands. The query returns a number of the form +#.#####E+##.

[SOURce:]CURRent[:LEVel]:TRIGgered[:AMPLitude] <current> | MINimum | MAXimum
[SOURce:]CURRent[:LEVel]:TRIGgered[:AMPLitude]? [MINimum | MAXimum]

Sets the triggered current level in amps. The query returns a number of the form +#.#####E+##.

[SOURce:]CURRent:PROTection:CLEar

Clears an overcurrent protection event.

[SOURce:]CURRent:PROTection:DELAy[:TIME] <time> | MINimum | MAXimum
[SOURce:]CURRent:PROTection:DELAy[:TIME]? [MINimum | MAXimum]

Sets the time (in milliseconds) that the overcurrent protection is temporarily disabled after a current level change. The query returns a number of the form +#.#####E+##.

[SOURce:]CURRent:PROTection:STATe ON|1|OFF|0
[SOURce:]CURRent:PROTection:STATe?

Enables or disables overcurrent protection, which causes the instrument to go into a protected state when the power supply status is in constant current mode. The query returns 1 (ON) or 0 (OFF).

[SOURce:]CURRent:PROTection:TRIPped?

Indicates whether an overcurrent protection occurred (1) or not (0). This is reset to 0 by CURRent:PROTection:CLEar.

DISPlay Subsystem

DISPlay[:WINDow]:TEXT:CLEAr

Clears the message displayed on the front panel.

DISPlay[:WINDow]:TEXT[:DATA] "<string>"
DISPlay[:WINDow]:TEXT[:DATA]

Displays a message of up to 12 characters on the front panel. Additional characters are truncated.

DISPlay[:WINDow][:STATe] ON | 1 | OFF | 0
DISPlay[:WINDow][:STATe]?

Turns the display off or on. When the display is turned off, outputs are not sent to the display and all annunciators except ERROR are disabled. The display state is automatically turned on when you return to the local mode. Press and hold **[Lock/Unlock]** for a few seconds to return to the local mode.

IEEE-488 Subsystem

*CLS

Clears all event registers, the Status Byte register, and the error queue.

*ESE <enable value>

*ESE?

Enables bits in the Standard Event Enable register. The selected bits are then reported to the Status Byte. The query returns a decimal value corresponding to the binary-weighted sum of all bits in the register. All of the enabled events of the Standard Event Status Event Register are logically ORed to cause the Event Summary Bit (ESB) of the Status Byte Register to be set.

Standard Event Status Enable Register

Bit	Value	Name	Description
0	1	OPC	Operation complete
1	2	0	(reserved for future use)
2	4	QYE	Query error
3	8	DDE	Device-dependent error
4	16	EXE	Execution error
5	32	CME	Command error
6	64	0	(reserved for future use)
7	128	PON	Power-on has occurred

*ESR?

Returns a decimal value corresponding to the binary-weighted sum of all bits in the Standard Event register and clears the register to 0. The bit configuration is the same as the Standard Event Status Enable register (see *ESE).

*IDN?

Returns the power supply's identification string in the form shown below.

Keysight Technologies,E36102B,MY87654321,0.3.2-0.32

The four comma-separated fields are the manufacturer name, instrument model number, instrument serial number, and revision code.

*OPC
*OPC?

Sets the “Operation Complete” bit (bit 0) of the Standard Event register after the command is executed. The query returns 1 to the output buffer after the command is executed.

*OPT?

Returns the option number of the instrument.

*PSC 0|1
*PSC?

(*Power-on status clear*) Enables (1) or disables (0) the clearing of the Status Byte and the Standard Event register enable masks when power is turned on.

*RST

Resets the instrument to its default state, but does not clear any of the status registers or the error queue. It also does not affect any interface error conditions.

Parameter	Default value
OCP delay	50 ms
OVP level	Maximum (varies by model)
Voltage	0
Current	Maximum (varies by model)
OCP state	Off
OVP state	Off
Output state	Off
Relay sense	Internal

*RCL <state>

*SAV <state>

Saves (*SAV) the current instrument state or recalls (*RCL) a previously saved state file. All state storage locations (0 through 9) are nonvolatile.

- The parameters stored in a state file are the same parameters affected by *RST.
- States are not affected by the *RST command.
- Saving a state overwrites the previous state (if any) stored in that location.
- When shipped from the factory, storage locations 0 through 9 are empty.

*SRE <enable value>

*SRE?

Enables bits in the Status Byte enable register. The query returns the decimal value corresponding to the binary-weighted sum of all bits set in the register.

*STB?

Queries the Status Byte summary register. This is similar to a serial poll but it is processed like any other instrument command. The *STB? command returns the same result as a serial poll but the "Request Service" bit (bit 6) is not cleared if a serial poll has occurred.

*TRG

Generates an event trigger to the trigger system when the trigger system has a BUS (software) trigger as its trigger source (TRIG:SOUR BUS). If the trigger system is not initiated, the *TRG command is simply ignored.

*TST?

Performs a complete self-test of the power supply and returns "0" (pass) or a non-zero value (fail). If the self-test fails, an error message is also generated with additional information on why the test failed.

The bits added together to produce a non-zero value in the case of a failing self-test are shown below.

Bit	Value	Name	Description
0	1		EEPROM status
1	2		Voltage monitor for +15 V
2	4		Model number detection failure
3	8	(unused)	(reserved for future use)
4	16	(unused)	(reserved for future use)
5	32		ADC failure
6	64		DAC failure
7	128	(unused)	(reserved for future use)

*WAI

Waits for all pending operations to complete before executing any additional remote interface commands. This command is used only in the triggered mode to wait for a pending delayed trigger.

MEASure Subsystem

MEASure:CURRent[:DC]?

Returns the sensed DC output current in amps in the format 1.23456789E+00.

MEASure[:VOLTage][:DC]?

Returns the sensed DC output voltage in volts in the format 1.23456789E+00. Use the [SOURce:]VOLTage:SENSe [:SOURce] command to specify whether the voltage uses internal or external (remote) sensing.

OUTPut Subsystem

OUTPut[:STATe] ON | 1 | OFF | 0
OUTPut[:STATe]?

Enables or disables the instrument's output. The query returns 0 (OFF) or 1 (ON). At *RST, the output state is off.

OUTPut:PROTection:CLEAr

Clears the latch that disables the output due to an overvoltage or overcurrent condition. You must clear the conditions that cause the fault before executing this command. You can then restore the output to the state that existed before the fault condition occurred.

OUTPut:PON:STATe RST|RCL0|RCL1|RCL2|RCL3|RCL4|RCL5|RCL6|RCL7|RCL8|RCL9|
OUTPut:PON:STATe?

Specifies whether the instrument's power-on state is the *RST state (default) or the state stored in one of ten memory locations.

STATus Subsystem

STATus:OPERation:[EVENT]?

Returns a decimal value corresponding to the binary-weighted sum of the bits in the event register of the Operation Status group. This read-only register stores (latches) all events that are passed by the Operation NTR and/or PTR filter.

- Reading the Operation Status Event register clears it.
- *RST has no effect on this register.

STATus:OPERation:CONDition?

Returns a decimal value corresponding to the binary-weighted sum of the bits in the condition register of the Operation Status group. This read-only register holds the live (unlatched) operational status of the instrument.

- Reading the Operation Status Condition register does not clear it.
- *RST clears this register, other than those bits where the condition still exists after *RST.

STATus:OPERation:ENABle <value>

Sets the value of the enable register for the Operation Status group. The enable register is a mask for enabling specific bits from the Operation Event register to set the OPER (operation summary) bit of the Status Byte register.

- STATus:PRESet clears all bits in the enable register.
- *CLS does not clear the enable register, but does clear the event register.

STATus:PRESet

Sets the all registers to their power-on values.

STATus:QUEStionable:CONDition?

Returns a decimal value corresponding to the binary-weighted sum of the bits in the Questionable Status condition register.

- This register is a read-only register, which holds the instrument's live (unlatched) operational status.
- Reading the Questionable Status Condition register does not clear it.
- *RST clears this register, other than those bits where the condition still exists after *RST

STATus:QUESTionable:ENABLE <enable value>

STATus:QUESTionable:ENABLE?

Enables bits in the Questionable Status enable register, which is a mask for enabling specific bits from the Operation Event register to set the QUES (questionable summary) bit of the Status Byte register. The selected bits are then reported to the Status Byte.

- STATus:PRESet clears all bits in the enable register.
- *CLS does not clear the enable register, but does clear the event register .

STATus:QUESTionable[:EVENT]?

Returns a decimal value corresponding to the binary-weighted sum of all bits in the Questionable Status event register.

- These bits are latched.
- Reading the event register clears it, but *RST has no effect on this register.

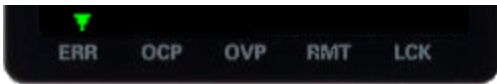
SYSTEM Subsystem

SYSTEM:COMMunicate:RLState LOCAL | REMote | RWLock
SYSTEM:COMMunicate:RLState?

Places the instrument in remote or local mode. The LOCAL parameter is the same as SYSTEM:LOCAL, the REMote parameter is the same as SYSTEM:REMote, and the RWLock parameter is the same as SYSTEMRWLock. The query returns LOC, REM, or RWL.

SYSTEM:ERRor[:NEXT]?

Queries the power supply's error queue. When the front-panel ERR annunciator turns on, one or more errors have been detected. Up to 20 errors can be stored in the error queue. See [Error Messages](#).



- Errors are retrieved in first-in-first-out (FIFO) order. The ERR annunciator turns off after the last error is read.
- If more than 20 errors have occurred, the last error stored in the queue (the most recent error) is replaced with -350, “Queue overflow”. No additional errors are stored until you remove errors from the queue. If no errors have occurred when you read the error queue, the power supply responds with +0, “No error”.
- The error queue is cleared when power has been off or after a *CLS (clear status) command has been executed. The *RST (reset) command does not clear the error queue.

SYSTEM:LOCAL

Places the power supply in the local mode. All keys on the front panel are fully functional.

SYSTEM:REMote

Places the power supply into remote mode for remote operation. When the unit is being controlled remotely, the power supply will go to remote mode automatically. You can switch the instrument to local mode using SYSTEM:LOCAL or by pressing any key on the front panel.

SYSTem:RWLock

Places the power supply in the remote mode. This command is the same as SYSTem:REMOte, except that all front-panel keys, excluding the [Lock/Unlock] key are disabled. You can unlock the front panel by holding the [Lock/Unlock] key. This switches the instrument to local mode at the same time. The front panel will be unlocked when the instrument is switched to remote or local mode.

SYSTem:SECurity:IMMEDIATE

Clears and sanitizes all user memory (states, LAN information, and so on), usually to prepare the instrument for removal from a secure area. Instrument identification data (instrument firmware, model number, serial number, MAC address and calibration data) is not erased. This procedure is not recommended for routine use because of the possibility of unintended data loss.

SYSTem:VERSion?

Returns the SCPI version on which the instrument's command set is based, which is 2005.0.

Triggering Commands

ABORT

Clears any pending delayed trigger and returns the trigger system to idle. If INIT:CONT is enabled, the trigger system is continuously initiated.

INITiate[:IMMediate]

Cause the trigger system to initiate. When the trigger system is initiated, an event on the specified trigger source causes the corresponding trigger action on the power supply output. This command completes one full trigger cycle when the trigger source is IMMEDIATE or initiates the trigger subsystem when the trigger source is BUS.

INITiate:CONTinuous ON | 1 | OFF | 0

INITiate:CONTinuous?

Enables or disables continuous initiation of the trigger system. If this is disabled, an INIT initiates the trigger system for only one trigger action. If this is enabled, the trigger system is continuously initiated and INIT is redundant. The query returns 1 (ON) or 0 (OFF).

*TRG

Generates an event trigger to the trigger system when the trigger system has a BUS (software) trigger as its trigger source (TRIG:SOUR BUS). If the trigger system is not initiated, the *TRG command is simply ignored.

TRIGger[:SEQuence]:DELay <seconds> MINimum | MAXimum

TRIGger[:SEQuence]:DELay? [MINimum | MAXimum]

Sets the time delay (in seconds, from 0 to 32.767) from the detection of a bus trigger to the start of any corresponding trigger action on the power supply output. The default is 0, and the query returns a number of the form +#.#####E+##.

TRIGger[:SEQuence]:SOURce BUS | IMMEDIATE

TRIGger[:SEQuence]:SOURce?

Specifies the source from which the instrument will accept a trigger, either a bus (software) trigger or an internal immediate trigger. At *RST, the bus trigger source is selected. To ensure synchronization when the bus source is selected, send the *WAI (wait) command. You can also use the *OPC? (operation complete) query or the *OPC command to indicate when the operation has completed. The query returns BUS (wait for trigger command) or IMM (continuous triggering).

VOLTage Subsystem

[SOURce:]VOLTage[:LEVel][:IMMEDIATE][:AMPLitude] <voltage>|MINimum|MAXimum|DEFAULT
[SOURce:]VOLTage[:LEVel][:IMMEDIATE][:AMPLitude]? [MINimum | MAXimum]

Sets the output voltage in volts. The query returns a number of the form `+#.#####E+##`.

[SOURce:]VOLTage[:LEVel][:IMMEDIATE]:STEP[:INCRement] <numeric value>|DEFAULT
[SOURce:]VOLTage[:LEVel][:IMMEDIATE]:STEP[:INCRement]? [DEFAULT]

Sets the step size for voltage programming with the VOLTage UP and VOLTage DOWN commands. The query returns a number of the form `+#.#####E+##`.

[SOURce:]VOLTage[:LEVel]:TRIGgered[:AMPLitude] <voltage>|MIN|MAX
[SOURce:]VOLTage[:LEVel]:TRIGgered[:AMPLitude]? [MIN|MAX]

Sets the triggered voltage level in amps. The query returns a number of the form `+#.#####E+##`.

[SOURce:]VOLTage:PROTection:CLEAr

Clears an overvoltage protection event.

[SOURce:]VOLTage:PROTection:STATe ON|1|OFF|0
[SOURce:]VOLTage:PROTection:STATe?

Enables or disables overvoltage protection, which causes the instrument to go into a protected state when the power supply goes above the protection level specified by the VOLTage:PROTection[:LEVel]. The query returns 1 (ON) or 0 (OFF).

[SOURce:]VOLTage:PROTection:TRIPped?

Indicates whether an overvoltage protection occurred (1) or not (0). This is reset to 0 by VOLTage:PROTection:CLEAr.

[SOURce:]VOLTage:PROTection[:LEVel] <voltage>|MINimum | MAXimum[SOURce:]VOLTage:PROTection[:LEVel]? [MINimum|MAXimum]

Sets the level at which overvoltage protection trips, in volts. The query returns a number of the form `+#.#####E+##`.

[SOURce:]VOLTage:SENSe[:SOURce] INTernal | EXTernal

Specifies whether the instrument uses remote or local sensing. The query returns 0 (INT) or 1 (EXT).

The internal setting sets a relay within the power supply to connect the output and sensing connector. This means that only two wires are used; and remote sensing is disabled. The external setting sets a relay within the power supply to disconnect the output and remote sensing inputs. This means that four wires are used; and remote sensing is enabled. The Internal setting displays 2W in the upper left corner of the display, and the External setting shows 4W in the upper left corner.

3 Service and Support

Service and Repair

Performance Verification

Test Record Forms

Calibration Adjustment Procedures

Specifications and Typical Characteristics

This chapter describes the service information for the E36100B Series programmable DC power supplies.

Service and Repair

Types of service available

If your instrument fails during the warranty period, Keysight Technologies will repair or replace it under the terms of your warranty. After your warranty expires, Keysight offers repair services at competitive prices. You also have the option to purchase a service contract that extends the coverage after the standard warranty expires.

Obtaining repair service (worldwide)

To obtain service for your instrument, contact your nearest Keysight Technologies Service Center. They will arrange to have your unit repaired or replaced, and can provide warranty or repair-cost information where applicable. Ask the Keysight Technologies Service Center for shipping instructions, including what components to ship. Keysight recommends that you retain the original shipping carton for return shipments.

Repackaging for shipment

Ensure the following to ship the unit to Keysight for service or repair:

- Attach a tag to the unit identifying the owner and indicating the required service or repair. Include the model number and full serial number.
- Place the unit in its original container with appropriate packaging material.
- Secure the container with strong tape or metal bands.
- If the original shipping container is unavailable, use a container that will ensure at least 10 cm (4 in.) of compressible packaging material around the entire instrument. Use static-free packaging materials.

Keysight suggests that you always insure your shipments.

Cleaning and handling

Cleaning

To prevent electrical shock, disconnect the instrument from AC mains power and disconnect all test leads before cleaning. Clean the outside of the instrument using a soft, lint-free, cloth slightly dampened with water.

- Do not use detergent or solvents.
- Do not attempt to clean internally.

If required, contact a Keysight Technologies Sales and Service office to arrange for proper cleaning to ensure that safety features and performance are maintained.

Electrostatic Discharge (ESD) precautions

Almost all electrical components can be damaged by electrostatic discharge (ESD) during handling. Component damage can occur at electrostatic discharge voltages as low as 50 V.

The following guidelines will help prevent ESD damage during service operations:

- Disassemble instruments only in a static-free work area.
- Use a conductive work area to reduce static charges.
- Use a conductive wrist strap to reduce static charge accumulation.
- Minimize handling.
- Keep replacement parts in original static-free packaging.
- Remove all plastic, foam, vinyl, paper, and other static-generating materials from the immediate work area.

Troubleshooting

Before troubleshooting or repairing the instrument, make sure the failure is in the instrument rather than any external connections. Also make sure that the instrument was accurately calibrated within the last year (see [Calibration Adjustment Procedures > Calibration Interval](#) for details).

Perform the following verifications if the unit is inoperative:

- Verify that the ac power cord is connected to the power supply.
- Verify that the front-panel power switch is depressed.
- Verify that the power-line fuse is installed:
 - Use the 2.0 AT, 250 V fuse for 100 or 115 Vac operation.
 - Use the 1.0 AT, 250 V fuse for 230 Vac operation.
- Verify the power-line voltage setting.
 - See [Getting Started > Options and Fuse Information](#) for details.

Self-test procedures

A power-on self-test occurs automatically when you turn on the power supply. This limited test assures you that the power supply is operational.

The complete self-test of the power supply is enabled by pressing the **Recall** key or any front panel keys except the **Error** key and the power-line switch simultaneously. Then continue to press the **Recall** key for 5 seconds. It will take another 2 seconds for the complete self-test to end.

You can also perform a complete self-test from the remote interface see **SCPI Programming** for details.

- If the self-test is successful, "PASS" is displayed on the front panel.
- If the self-test fails, "FAIL" is displayed and the ERROR annunciator turns on. Record the error code and message and contact Keysight support if necessary.
- If the self-test is successful, this indicates a high chance that the power supply is operational.

To replace the power-line fuse

The power-line fuse is located within the power supply's fuse-holder assembly on the rear panel see **Getting Started > Options and Fuse Information** for details. For 100 or 115 Vac operation, you must use a 2.0 AT time-delay fuse. For 230 Vac operation, you must use a 1.0 AT time-delay fuse.

User replaceable parts

You can find the instrument support part list at Keysight's Test & Measurement Parts Catalog <http://www.keysight.com/find/parts>.

Performance Verification

Performance verification ensures that the instrument performs within the specifications stated in the data sheet. Some specifications are included in this document and were accurate at the time of publication, but the latest data sheet from the Keysight website should be referred to see if there are any changes since this document was published.

Recommended test equipment

The test equipments recommended for the performance verification and adjustment procedures are listed below. If the exact instrument is not available, use the accuracy requirements shown to select substitute calibration standards.

Type	Specification	Recommended model
Digital Multimeter	Readout: 6 1/2 digits Basic DC Accuracy: 0.0035%	Keysight 34401A or equivalent
Current Monitor	15 A (0.1 Ω), TC = 4 ppm/°C	Guildline 9230A-15R
Electronic Load	150 V, 5 A minimum, with transient capability and a slew rate of 833 kA/s or better.	Keysight N3300A mainframe, with N330xA modules
LAN / USB Controller		PC with Keysight Connection Expert loaded
Oscilloscope	Sensitivity: 1 mV; Bandwidth Limit: 20 MHz Probe: 1:1 with RF tip	Keysight Infiniium/6054A or equivalent
RMS Voltmeter	True RMS; Bandwidth: 20 MHz Sensitivity: 100 μ V	Rhode and Schwartz Model URE3 or equivalent
Differential Amplifier	Bandwidth: 20 MHz	LeCroy 1855A or equivalent
Terminations	1 – 50 Ω BNC termination 2 – 50 Ω , 1/8 W termination resistors	
Variable voltage transformer or AC source	Adjustable to highest rated input voltage range. Power: 500 VA	Keysight 6813B or equivalent
Calibration resistors for small current	300 Ω (E36102B) 1 W minimum 2.5 k Ω (E36103B) 1 W minimum 9 k Ω (E36104B) 1 W minimum 20 k Ω (E36105B) 1 W minimum 51 k Ω (E36106B) 1 W minimum	

Test considerations

- Ensure that the calibration ambient temperature is stable and between 20 °C and 30 °C.
- Ensure ambient relative humidity is less than 80%.
- Allow a 1-hour warm-up period before verification or calibration.
- Keep cables as short as possible, consistent with the impedance requirements.

CAUTION

The tests should be performed by qualified personnel. During performance verification tests, hazardous voltages may be present at the outputs of the power supply.

Measurement techniques

Voltmeter

To ensure that the values read by the voltmeter during both the verification procedure and the calibration procedure are not affected by the instantaneous measurement of the AC peaks of the output current ripple, make several DC measurements and average them.

Current-monitoring resistor

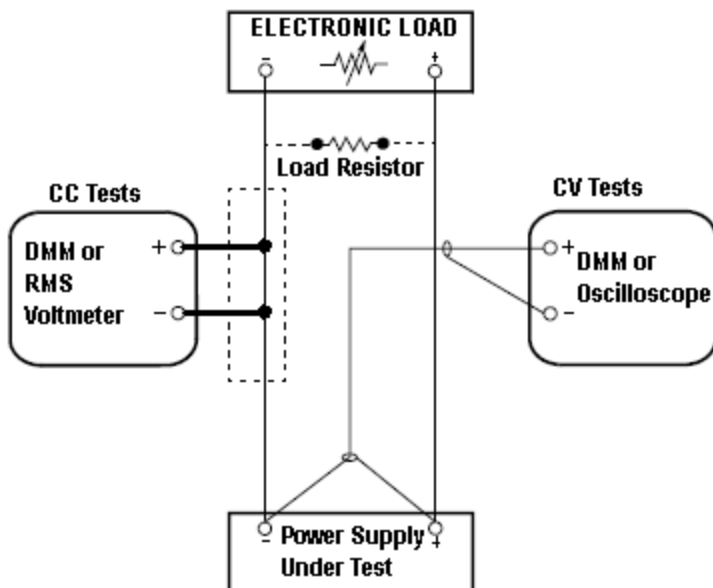
The 4-terminal current shunt is used to eliminate output current measurement error caused by voltage drops in the load leads and connections. It has special current-monitoring terminals inside the load connection terminals. Connect the voltmeter directly to these current-monitoring terminals.

Electronic load

Many of the test procedures require the use of a variable load capable of dissipating the required power. If a variable resistor is used, switches should be used to connect, disconnect, or short the load resistor. For most tests, an electronic load can be used. The electronic load is considerably easier to use than load resistors, but it may not be fast enough to test transient recovery time and may be too noisy for the noise (PARD) tests.

Fixed load resistors may be used in place of a variable load, with minor changes to the test procedures. Also, if computer controlled test setups are used, the relatively slow (compared to computers and system voltmeters) settling times and slew rates of the power system may have to be taken into account. "Wait" statements can be used in the test program if the test system is faster than the power system.

Setup for most tests



This setup is used for most tests and it requires the DMM, electronic load, and power supply being verified. Some wire is also required for connection between instruments. A LAN or USB cable is needed for readback data. The DMM measures the power supply output, and the electronic load draws current from the power supply. The accuracy of the current monitoring resistor must be 0.01% or better, which should include any self-heating effects.

Constant Voltage (CV) verification

Voltage programming and readback accuracy

These tests verify that the voltage programming and the LAN or USB readback functions are within specifications. Note that the readback values over the remote interface should be identical to those displayed on the front panel, but with maximum resolution.

1. Turn off the power supply using the AC line switch.
2. Connect a DMM between the (+) and (-) terminals of the output.
3. If you are using a computer to control the power supply, connect a LAN or USB cable from the power supply to the PC.
4. Turn on the power supply using the AC line switch.

Voltage programming accuracy

Step	Front panel	SCPI
5.	Set the instrument settings as described in the test record form under the Voltage Programming and Readback . See Test Record Forms for details.	VOLT 6; CURR 5 (for example for the E36102B, 6 V, 5 A output)
6.	Enable the output by pressing the Output ON key.	OUTP ON

7. The output status should be **CV** and the output current should be close to zero.
8. Record the voltage measured by the DMM and verify whether it is within the limits calculated.

Voltage readback accuracy

Step	Front panel	SCPI
9.		MEAS:VOLT? (for example for the E36102B, 6 V, 5 A output)

10. Record the voltage returned by the SCPI command query via Keysight Connection Expert, and verify whether it is within the limits calculated.

CV load and line regulation

These tests verify that the voltage variation due to load or line variation are within specifications.

CV load regulation

This test measures the change in output voltage resulting from a change in output current from full load to no load.

1. Turn off the power supply using the AC line switch.
2. Connect the power supply output with a DMM and an electronic load.
3. If you are using a PC to control the power supply, connect a LAN or USB cable from the power supply to the PC.
4. Turn on the power supply using the AC line switch.
5. Set the power supply settings as described in the test record form under “CV Load Regulation”. See the **Test Record Forms** under “CV Load Regulation” for details. Enable the output.
6. Operate the electronic load in constant current mode and set its current to the value in the test record form under “CV Load Regulation”. See the **Test Record Forms** under Test Description of “CV Load Regulation” for details. Check that the front panel CV annunciator of the power supply remains lit. If it turns to **CC** or **UNREG**, adjust the load so that the output current drops slightly until the CV annunciator lights up. Record the output voltage reading on the DMM as V_{load} .
7. Operate the electronic load in open mode (input off). Record the output voltage reading on the DMM immediately as $V_{no\ load}$.
8. Take the difference between the DMM readings in steps 6 and 7 that is the CV load regulation ($V_{load} - V_{no\ load}$). The difference of the readings during the immediate change should be within the specification limits.

CV line regulation

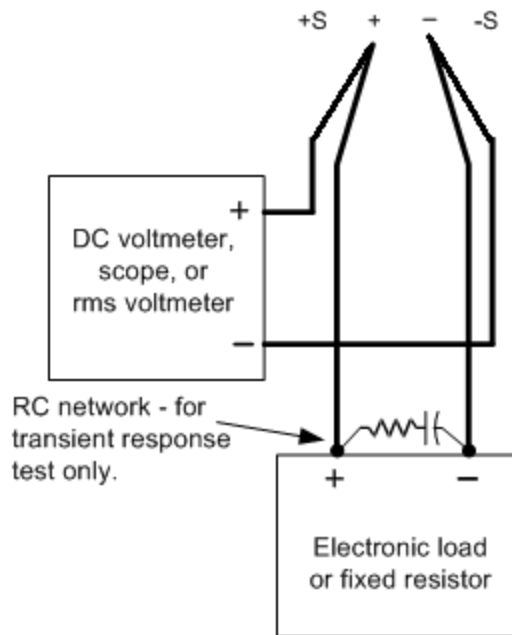
This test measures the change in output voltage that results from a change in AC line voltage from the minimum to maximum value within the line voltage specifications.

1. Turn off the power supply using the AC line switch.
2. Connect the power supply output with a DMM and an electronic load.
3. Connect a variable AC Source or Variac to the AC input, set to an appropriate line voltage for the power supply configuration.
4. If you are using a PC to control the power supply, connect a LAN or USB cable from the power supply to the PC.
5. Turn on the power supply using the AC line switch.
6. Set the power supply settings as described in the test record form under “CV Line Regulation”. See the **Test Record Forms** under “CV Line Regulation” for details. Enable the output.
7. Operate the electronic load in constant current mode and set its current to the value in the test record form under “CV Line Regulation”. See the **Test Record Forms** under Test Description of “CV Line Regulation” for details. Check that the front panel CV annunciator of the power supply remains lit. If it turns to **CC** or **UNREG**, adjust the load so that the output current drops slightly until the CV annunciator lights up.
8. Adjust the AC power source to low line voltage limit (90 VAC for nominal 100 VAC, 104 VAC for nominal 115 VAC, 194 VAC for nominal 215 VAC, or 207 VAC for nominal 230 VAC). Record the output reading on the DMM as V_{lowline} .
9. Adjust the AC power source to high line voltage (110 VAC for nominal 100 VAC, 127 VAC for nominal 115 VAC, 237 VAC for nominal 215 VAC or 253 VAC for nominal 230 VAC). Record the voltage reading on the DMM immediately as V_{highline} .
10. Take the difference between the DMM readings in steps 8 and 9 that is the CV line regulation ($V_{\text{lowline}} - V_{\text{highline}}$). The difference of the readings during the immediate change should be within the limit calculated from the specification.

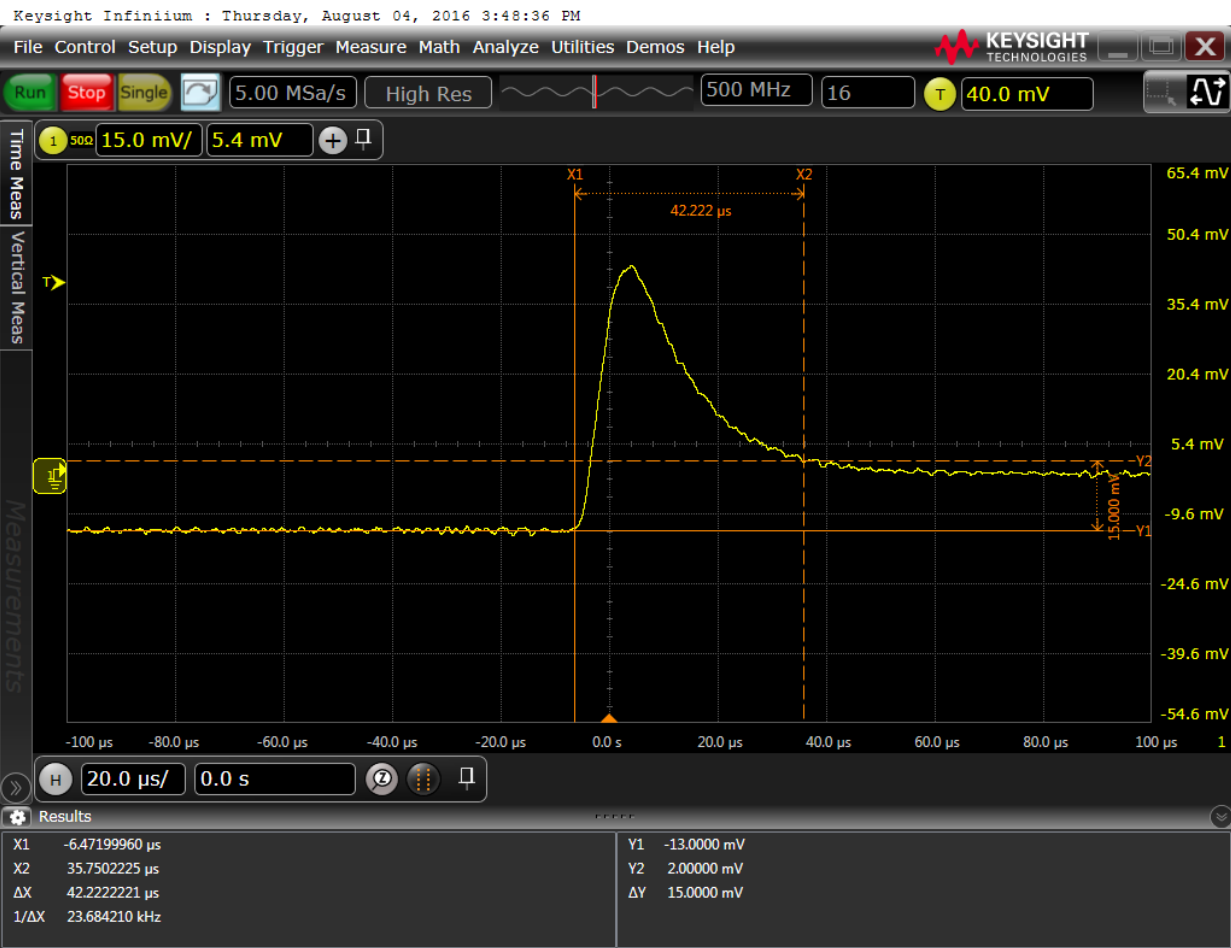
Transient response verification

This test measures the time for the output voltage to recover to within the specified value following a 50% change in the load current.

1. Turn off the power supply using the AC line switch.
2. Connect an oscilloscope and electronic load between the (+) and (-) terminals of the output to be tested as shown below.



3. If you are using a PC to control the power supply, connect a LAN or USB cable from the power supply to the PC.
4. Turn on the power supply using the AC line switch.
5. Set the instrument settings as described in the test record form under "Transient Response". See the **Test Record Forms** under "Transient Response" for details. Enable the output.
6. Operate the electronic load in constant current mode and set its current to the value in the test record form under "Transient Response". See the **Test Record Forms** under Test Description of "Transient Response" for details. Set the transient level to $\frac{1}{2}$ the maximum current. Set the transient duty cycle to 50% and transient frequency to 1 kHz. Check that the front panel CV annunciator of the power supply remains lit. If it turns to **CC** or **UNREG**, adjust the maximum current load so that the output current drops slightly until the CV annunciator lights up.
7. Adjust the oscilloscope to display transients as shown below. Note that the pulse width (t_2-t_1) of the transient at the voltage settling band, for example 15 mV for the E36102B from the base line is no more than 50 ms.



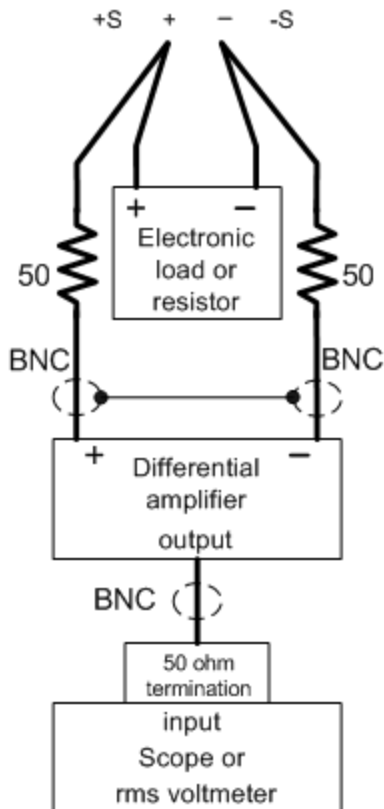
NOTE The oscilloscope cursors X1 and X2 represent t_1 and t_2 .

8. Transient response specification is met when the voltage recovers within $50 \mu\text{s}$.

Output noise verification

Periodic and random output deviations superimpose a residual AC voltage on the DC output. This residual voltage is specified as the rms or peak-to-peak noise in and is specified in the product data sheet.

1. Turn off the power supply using the AC line switch.
2. Connect a load resistor or electronic load, differential amplifier, and an oscilloscope (AC coupled) to the output as shown below.



3. Use an appropriate load resistor (see load resistor value **Recommended test equipment** list) to keep the power system at the instrument setting specified in the test record form under “CV Ripple and Noise”. See the **Test Record Forms** under “CV Ripple and Noise” for details.
4. As shown in the figure, use two BNC cables to connect the differential amplifier to the (+) and (-) output terminals. Each cable should be terminated by a 50 Ω resistor. The shields of the two BNC cables should be connected together. Connect the differential amplifier output to the oscilloscope with a 50 Ω termination at the oscilloscope input.
5. Set the differential amplifier to multiply by ten, divide by one, and 1 M Ω input resistance. Set the differential amplifier's positive and negative inputs to AC coupling. Set the oscilloscope's time base to 5 ms/div, and the vertical scale to 10 mV/div. Turn the bandwidth limit on (usually 20 or 30 MHz), and set the sampling mode to peak detect.

6. Program the power supply to the settings indicated in the in the test record form for the appropriate model under “CV Ripple and Noise” see the **Test Record Forms** under Test Description of “CV Ripple and Noise” for details and enable the output. Let the oscilloscope run for a few seconds to generate enough measurement points. On the Keysight Infiniium oscilloscope, the maximum peak-to-peak voltage measurement is indicated at the bottom of the screen on the right side. Divide this value by 10 to get the CV peak-to-peak noise measurement. The result should not exceed the peak-to-peak upper limits for instrument's “CV Ripple and Noise, peak-to-peak”. See the **Test Record Forms** under “CV Ripple and Noise” for details.
7. Disconnect the oscilloscope and connect an rms voltmeter in its place. Do not disconnect the 50 Ω termination. Divide the reading of the rms voltmeter by 10. The result should not exceed the rms limits in the test record form for the appropriate model under “CV Ripple and Noise, rms”. See the **Test Record Forms** under “CV Ripple and Noise” for details.

Constant Current (CC) verification

Current programming and readback accuracy

These tests verify that the current programming and the LAN or USB readback measurement functions are within specifications. Note that the readback values over the remote interface should be identical to those displayed on the front panel, but with maximum resolution.

1. Turn off the power supply using the AC line switch.
2. Connect the current shunt directly across the output terminals. Connect the DMM directly across the current shunt.
3. If you are using a PC to control the power supply, connect a LAN or USB cable from the power supply to the PC.
4. Turn on the power supply using the AC line switch.

Current programming accuracy

Step	Front Panel	SCPI
5.	Set the instrument settings as described in the test record form under Current Programming and Readback . See Test Record Forms for details.	VOLT 6; CURR 5 (for example for the E36102B, 6 V, 5 A output)
6.	Enable the output by pressing the Output ON key.	OUTP ON

7. The output status should be **CC** and the output voltage should be close to zero.
8. Divide the voltage drop (DMM reading) across the current shunt by the shunt resistance to convert to amps.
9. Record the current measured by the DMM and verify whether it is within the limits calculated.

Current readback accuracy

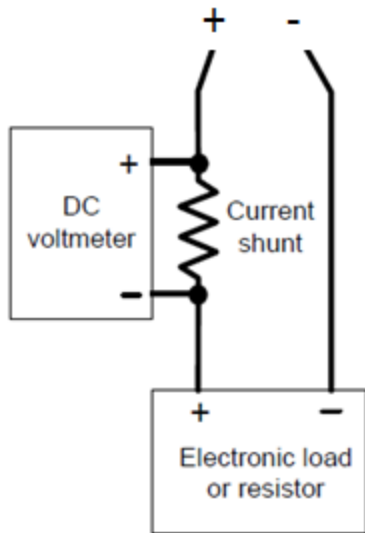
Step	Front Panel	SCPI
10.		MEAS:CURR? (for example for the E36102B, 6 V, 5 A output)

11. Record the current returned by the SCPI command query via Keysight Connection Expert, and verify whether it is within the limits calculated.

CC load regulation

This test measures the change in output current resulting from a change in output voltage from full scale to short circuit.

1. Turn off the power supply using the AC line switch.
2. Connect the power supply output with a DMM, an electronic load and a current shunt as shown below.



3. Turn on the power supply using the AC line switch.
4. Program the output voltage and output current as described in the test record form under CC load regulation.
5. Enable the output by sending the command OUTP ON or by pressing the Output ON key.
6. Operate the electronic load in constant voltage mode and set its voltage to the power supply output value as described in the test record form under “CC Load Regulation”. See the **Test Record Forms** under Test Description of “CC Load Regulation” for details. Check that the front panel CC annunciator of the power supply remains lit. If it turns to **CV** or **UNREG**, adjust the load so that the output current drops slightly until the CC annunciator lights up. Record the current reading (I_{load}), by dividing the voltage reading on the DMM by the resistance of the current monitoring resistor.
7. Operate the electronic load in short (input short) mode. Record the current reading, (I_{short}), by dividing the voltage reading on the DMM by the resistance of the current monitoring resistor.
8. Take the difference between the current readings in steps 6 and 7 is the load regulation current ($I_{load} - I_{short}$). The difference of the readings during the immediate change should be within the specification limits.

CC line regulation

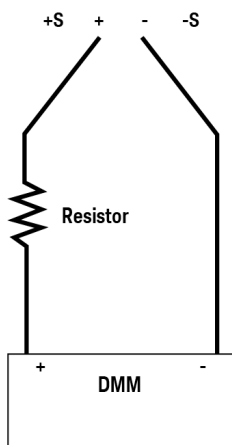
1. Turn off the power supply using the AC line switch.
2. Connect the power supply output with a DMM, an electronic load and a current shunt. See **Recommended test equipment** for details.
3. Connect the AC power cord of the power supply to the AC power source.
4. Turn on the power supply using the AC line switch.
5. Program the output voltage and output current as described in the test record form under CC line regulation.
6. Operate the electronic load in constant voltage mode and set its voltage to the power supply output value as described the test record form under “CC Line Regulation”. See the **Test Record Forms** under Test Description of “CC Line Regulation” for details. Check that the front panel CC annunciator of the power supply remains lit. If it turns to **CV** or **UNREG**, adjust the load so that the output current drops slightly until the CC annunciator lights up.
7. Adjust the AC power source to low line voltage limit (90 VAC for nominal 100 VAC, 104 VAC for nominal 115 VAC, 194 VAC for nominal 215 VAC, or 207 VAC for nominal 230 VAC). Record the output current reading (I_{lowline}) by dividing the voltage reading on the DMM by the resistance of the current monitoring resistor.
8. Adjust the AC power source to high line voltage (110 VAC for nominal 100 VAC, 127 VAC for nominal 115 VAC, 237 VAC for nominal 215 VAC or 253 VAC for nominal 230 VAC). Record the current reading (I_{highline}) again immediately by dividing the voltage reading on the DMM by the resistance of the current monitoring resistor.
9. Take the difference between the DMM readings in steps 7 and 8 is the CC line regulation ($I_{\text{lowline}} - I_{\text{highline}}$). The difference of the readings during the immediate change should be within the specification limits.

Low range current verification

Low range current programming and readback accuracy

These tests verify that the current programming and the LAN or USB readback measurement functions are within specifications. Note that the readback values over the remote interface should be identical to those displayed on the front panel, but with maximum resolution.

1. Turn off the power supply using the AC line switch.
2. Connect a DMM between the (+) and (-) terminals of the output.
3. Connect appropriate resistor in series with the (+) terminals of the power supply and (+) terminals of the DMM as shown below.



4. If you are using a PC to control the power supply, connect a LAN or USB cable from the power supply to the PC.
5. Turn on the power supply using the AC line switch.

Low range current programming accuracy

Step	Front Panel	SCPI
6.	Set the instrument settings as described in the test record form under Low Range Current Readback, Maximum Low Range Current (I_{lowmax})^a . See Test Record Forms for details. <small>[a] Current set when perform Low Range Current Readback Verification need to double up (for example, double up 0.02 A to 0.04 A), to ensure output status turn to CV,</small>	VOLT 6; CURR 0.04 This is an example for the E36102B, 6 V, 20 mA output.
7.	Enable the output by pressing the Output ON key.	OUTP ON
8.	The output status should be CV and the output current should be close to targeted current (20 mA for the E36102B, 6 V, 20 mA output).	
9.	Record the current measured by the DMM and current returned by the SCPI MEAS:CURRE? command query via Keysight Connection Expert and verify whether it is within the limits calculated.	MEAS:CURRE? This is an example for the E36102B, 6V, 20mA output.

Test Record Forms

[Test Record Form - Keysight E36102B](#)

[Test Record Form - Keysight E36103B](#)

[Test Record Form - Keysight E36104B](#)

[Test Record Form - Keysight E36105B](#)

[Test Record Form - Keysight E36106B](#)

Test Record Form – Keysight E36102B

E36102B	Report Number _____	Date _____	
Description	Lower limit	Result	Upper limit
Constant Voltage Tests			
Voltage Programming			
Zero Voltage Output (V_0)	-0.003 V	_____	0.003 V
Maximum Voltage Output (V_{max})	5.994 V	_____	6.006 V
Voltage Readback			
Zero Voltage measured over interface	$V_0 - 0.003 V$	_____	$V_0 + 0.003 V$
Maximum Voltage measured over interface	$V_{max} - 0.006 V$	_____	$V_{max} + 0.006 V$
CV Load Regulation ($V_{load} - V_{noload}$)	-2.6 mV	_____	2.6 mV
CV Line Regulation ($V_{lowline} - V_{highline}$)	-1.6 mV	_____	1.6 mV
CV Ripple and Noise			
peak-to-peak	–	_____	8 mV
rms	–	_____	350 μ V
Transient Response	–	_____	50 μ s
Constant Current Tests			
Correct Programming			
Zero Current Output (I_0)	0.044975 A	_____	0.055025 A
Maximum Current Output (I_{max})	4.9925 A	_____	5.0075 A
Current Readback			
Zero Current measured over interface	$I_0 - 0.004025 A$	_____	$I_0 + 0.004025 A$
Maximum Current measured over interface	$I_{max} - 0.0065 A$	_____	$I_{max} + 0.0065 A$
CC Load Regulation ($I_{load} - I_{short}$)	-1250 μ A	_____	1250 μ A
CC Line Regulation ($I_{lowline} - I_{highline}$)	-1250 μ A	_____	1250 μ A
Low Range Current Test			
Maximum Low Range Current measured over interface	$I_{low max} - 90 \mu A$	_____	$I_{low max} + 90 \mu A$

Test Description	Instrument settings	
Voltage Programming & Readback, Zero Voltage (V_0)	0 V	5 A
Voltage Programming & Readback, Maximum Voltage (V_{max})	6 V	5 A
CV Load Regulation, Line Regulation, Ripple and Noise	6 V	5 A
Transient Response	6 V	2.5 A to 5 A
Current Programming & Readback, Zero Current (I_0)	0.05 A	6 V
Current Programming & Readback, Maximum Current (I_{max})	5 A	6 V
CC Load Regulation, Line Regulation, Ripple and Noise	5 A	6 V
Low Range Current Readback, Maximum Low Range Current (I_{lowmax}) ^[a]	0.04 A	6 V

[a] The current set need to double up when perform Low Range Current Readback Verification to ensure output status turn to CV. Maximum Low Range Current of E36102B is 0.02 A, the Current need to set as 0.04 A.

Test Record Form - Keysight E36103B

E36103B	Report Number _____	Date _____	
Description	Lower limit	Result	Upper limit
Constant Voltage Tests			
Voltage Programming			
Zero Voltage Output (V_0)	-0.008 V	_____	0.008 V
Maximum Voltage Output (V_{max})	-19.982 V	_____	20.018 V
Voltage Readback			
Zero Voltage measured over interface	$V_0 - 0.005 V$	_____	$V_0 + 0.005 V$
Maximum Voltage measured over interface	$V_{max} - 0.015 V$	_____	$V_{max} + 0.015 V$
CV Load Regulation ($V_{load} - V_{noload}$)	-5 mV	_____	5 mV
CV Line Regulation ($V_{lowline} - V_{highline}$)	-4 mV	_____	4 mV
CV Ripple and Noise			
peak-to-peak	-	_____	15 mV
rms	-	_____	0.8 mV
Transient Response	-	_____	50 μs
Constant Current Tests			
Correct Programming			
Zero Current Output (I_0)	0.018990 A	_____	0.021010 A
Maximum Current Output (I_{max})	1.998 A	_____	2.002 A
Current Readback			
Zero Current measured over interface	$I_0 - 0.001010 A$	_____	$I_0 + 0.001010 A$
Maximum Current measured over interface	$I_{max} - 0.002 A$	_____	$I_{max} + 0.002 A$
CC Load Regulation ($I_{load} - I_{short}$)	-500 μA	_____	500 μA
CC Line Regulation ($I_{lowline} - I_{highline}$)	-500 μA	_____	500 μA
Low Range Current Test			
Maximum Low Range Current measured over interface	$I_{low max} - 60 \mu A$	_____	$I_{low max} + 60 \mu A$

Test Description	Instrument settings	
Voltage Programming & Readback, Zero Voltage (V_0)	0 V	2 A
Voltage Programming & Readback, Maximum Voltage (V_{max})	20 V	2 A
CV Load Regulation, Line Regulation, Ripple and Noise	20 V	2 A
Transient Response	20 V	1 A to 2 A
Current Programming & Readback, Zero Current (I_0)	0.02 A	20 V
Current Programming & Readback, Maximum Current (I_{max})	2 A	20 V
CC Load Regulation, Line Regulation, Ripple and Noise	2 A	20 V
Low Range Current Readback, Maximum Low Range Current (I_{lowmax}) ^[a]	0.016 A	20 V

[a] The current set need to double up when perform Low Range Current Readback Verification to ensure output status turn to CV. Maximum Low Range Current of E36103B is 0.008A, the Current need to set as 0.016A.

Test Record Form – Keysight E36104B

E36104B	Report Number _____	Date _____	
Description	Lower limit	Result	Upper limit
Constant Voltage Tests			
Voltage Programming			
Zero Voltage Output (V_0)	-0.012 V	_____	0.012 V
Maximum Voltage Output (V_{max})	34.9705 V	_____	35.0295 V
Voltage Readback			
Zero Voltage measured over interface	$V_0 - 0.008$ V	_____	$V_0 + 0.008$ V
Maximum Voltage measured over interface	$V_{max} - 0.0255$ V	_____	$V_{max} + 0.0255$ V
CV Load Regulation ($V_{load} - V_{noload}$)	-9.5 mV	_____	9.5 mV
CV Line Regulation ($V_{lowline} - V_{highline}$)	-7.5 mV	_____	7.5 mV
CV Ripple and Noise			
peak-to-peak	–	_____	20 mV
rms	–	_____	1.2 mV
Transient Response	–	_____	50 μ s
Constant Current Tests			
Correct Programming			
Zero Current Output (I_0)	0.009395 A	_____	0.010605 A
Maximum Current Output (I_{max})	0.9989 A	_____	1.0011 A
Current Readback			
Zero Current measured over interface	$I_0 - 0.000505$ A	_____	$I_0 + 0.000505$ A
Maximum Current measured over interface	$I_{max} - 0.001$ A	_____	$I_{max} + 0.001$ A
CC Load Regulation ($I_{load} - I_{short}$)	-250 μ A	_____	250 μ A
CC Line Regulation ($I_{lowline} - I_{highline}$)	-250 μ A	_____	250 μ A
Low Range Current Test			
Maximum Low Range Current measured over interface	$I_{low\ max} - 50$ μ A	_____	$I_{low\ max} + 50$ μ A

Test Description	Instrument settings	
Voltage Programming & Readback, Zero Voltage (V_0)	0 V	1 A
Voltage Programming & Readback, Maximum Voltage (V_{max})	35 V	1 A
CV Load Regulation, Line Regulation, Ripple and Noise	35 V	1 A
Transient Response	35 V	0.5 A to 1 A
Current Programming & Readback, Zero Current (I_0)	0.01 A	35 V
Current Programming & Readback, Maximum Current (I_{max})	1 A	35 V
CC Load Regulation, Line Regulation, Ripple and Noise	1 A	35 V
Low Range Current Readback, Maximum Low Range Current (I_{lowmax}) ^[a]	0.008 A	35 V

[a] The current set value must be doubled the output current to ensure the output status switch to CV mode. Maximum Low Range Current of E36104B is 0.004 A, the Current need to set as 0.008 A.

Test Record Form - Keysight E36105B

E36105B	Report Number _____	Date _____		
Description	Lower limit	Result	Upper limit	
Constant Voltage Tests				
Voltage Programming				
Zero Voltage Output (V_0)	-0.02 V	_____	0.02 V	
Maximum Voltage Output (V_{max})	59.95 v	_____	60.05 V	
Voltage Readback				
Zero Voltage measured over interface	$V_0 - 0.012$ V	_____	$V_0 + 0.012$ V	
Maximum Voltage measured over interface	$V_{max} - 0.042$ V	_____	$V_{max} + 0.042$ V	
CV Load Regulation ($V_{load} - V_{noload}$)	-16 mV	_____	16 mV	
CV Line Regulation ($V_{lowline} - V_{highline}$)	-13 mV	_____	13 mV	
CV Ripple and Noise				
peak-to-peak	-	_____	30 mV	
rms	-	_____	1.55 mV	
Transient Response	-	_____	50 μ s	
Constant Current Tests				
Correct Programming				
Zero Current Output (I_0)	0.005597 A	_____	0.006403 A	
Maximum Current Output (I_{max})	0.5993 A	_____	0.6007 A	
Current Readback				
Zero Current measured over interface	$I_0 - 0.000303$ A	_____	$I_0 + 0.000303$ A	
Maximum Current measured over interface	$I_{max} - 0.0006$ A	_____	$I_{max} + 0.0006$ A	
CC Load Regulation ($I_{load} - I_{short}$)	-150 μ A	_____	150 μ A	
CC Line Regulation ($I_{lowline} - I_{highline}$)	-150 μ A	_____	150 μ A	
Low Range Current Test				
Maximum Low Range Current measured over interface	$I_{low\ max} - 47.5$ μ A	_____	$I_{low\ max} + 47.5$ μ A	

Test Description	Instrument settings	
Voltage Programming & Readback, Zero Voltage (V_0)	0 V	0.6 A
Voltage Programming & Readback, Maximum Voltage (V_{max})	60 V	0.6 A
CV Load Regulation, Line Regulation, Ripple and Noise	60 V	0.6 A
Transient Response	60 V	0.3 A to 0.6 A
Current Programming & Readback, Zero Current (I_0)	0.006 A	60 V
Current Programming & Readback, Maximum Current (I_{max})	0.6 A	60 V
CC Load Regulation, Line Regulation, Ripple and Noise	0.6 A	60 V
Low Range Current Readback, Maximum Low Range Current (I_{lowmax}) ^[a]	0.006 A	60 V

[a] The current set need to double up when perform Low Range Current Readback Verification to ensure output status turn to CV. Maximum Low Range Current of E36105B is 0.003A, the Current need to set as 0.006A.

Test Record Form - Keysight E36106B

E36106B	Report Number _____	Date _____		
Description	Lower limit	Result	Upper limit	
Constant Voltage Tests				
Voltage Programming				
Zero Voltage Output (V_0)	-0.04 V	_____	0.04 V	
Maximum Voltage Output (V_{max})	99.91 V	_____	100.09 V	
Voltage Readback				
Zero Voltage measured over interface	$V_0 - 0.02$ V	_____	$V_0 + 0.02$ V	
Maximum Voltage measured over interface	$V_{max} - 0.07$ V	_____	$V_{max} + 0.07$ V	
CV Load Regulation ($V_{load} - V_{noload}$)	-30 mV	_____	30 mV	
CV Line Regulation ($V_{lowline} - V_{highline}$)	-22 mV	_____	22 mV	
CV Ripple and Noise				
peak-to-peak	-	_____	40 mV	
rms	-	_____	2.5 mV	
Transient Response	-	_____	50 μ s	
Constant Current Tests				
Correct Programming				
Zero Current Output (I_0)	0.003698 A	_____	0.004302 A	
Maximum Current Output (I_{max})	0.3995 A	_____	0.4005 A	
Current Readback				
Zero Current measured over interface	$I_0 - 0.000202$ A	_____	$I_0 + 0.000202$ A	
Maximum Current measured over interface	$I_{max} - 0.0004$ A	_____	$I_{max} + 0.0004$ A	
CC Load Regulation ($I_{load} - I_{short}$)	-100 μ A	_____	100 μ A	
CC Line Regulation ($I_{lowline} - I_{highline}$)	-100 μ A	_____	100 μ A	
Low Range Current Test				
Maximum Low Range Current measured over interface	$I_{low\ max} - 45$ μ A	_____	$I_{low\ max} + 45$ μ A	

Test Description	Instrument settings	
Voltage Programming & Readback, Zero Voltage (V_0)	0 V	0.4 A
Voltage Programming & Readback, Maximum Voltage (V_{max})	100 V	0.4 A
CV Load Regulation, Line Regulation, Ripple and Noise	100 V	0.4 A
Transient Response	100 V	0.2 A to 0.4 A
Current Programming & Readback, Zero Current (I_0)	0.004 A	100 V
Current Programming & Readback, Maximum Current (I_{max})	0.4 A	100 V
CC Load Regulation, Line Regulation, Ripple and Noise	0.4 A	100 V
Low Range Current Readback, Maximum Low Range Current (I_{lowmax}) ^[a]	0.004 A	100 V

[a] The current set need to double up when perform Low Range Current Readback Verification to ensure output status turn to CV. Maximum Low Range Current of E36106B is 0.002A, the Current need to set as 0.004A.

Calibration Adjustment Procedures

This chapter includes calibration adjustment procedures for Keysight E36100B Series power supplies. Instructions are applicable for performing the procedures from either the front panel or a controller over the LAN or USB.

NOTE Perform the verification tests before calibrating your instrument. If the instrument passes the verification tests, the unit is operating within its calibration limits and does not need to be re-calibrated.

Closed-case electronic calibration

The instrument uses closed-case electronic calibration; no internal mechanical adjustments are required. The instrument calculates correction factors based on reference signals that you apply and stores the correction factors in non-volatile memory. This data is not changed by cycling power, *RST, or SYSTem:PRESet.

Calibration interval

The recommended calibration interval for Keysight E36100B Series power supplies is one year.

Calibration adjustment process

The following general procedure is recommended to complete a full calibration adjustment.

1. Adhere to the test considerations. See [Performance Verification > Test considerations](#) for details.
2. Perform the performance verification tests to characterize the instrument. See [Performance Verification](#) for details.
3. Unsecure the instrument for calibration. See [Calibration security](#) for details.
4. Perform the calibration procedures. See [Calibration procedure](#) for details.
5. Secure the instrument against the calibration. See [Calibration security](#) for details.
6. Take note of the security code and calibration count in the instrument's maintenance records.
7. Perform the performance verification tests to verify the calibration.

Calibration security

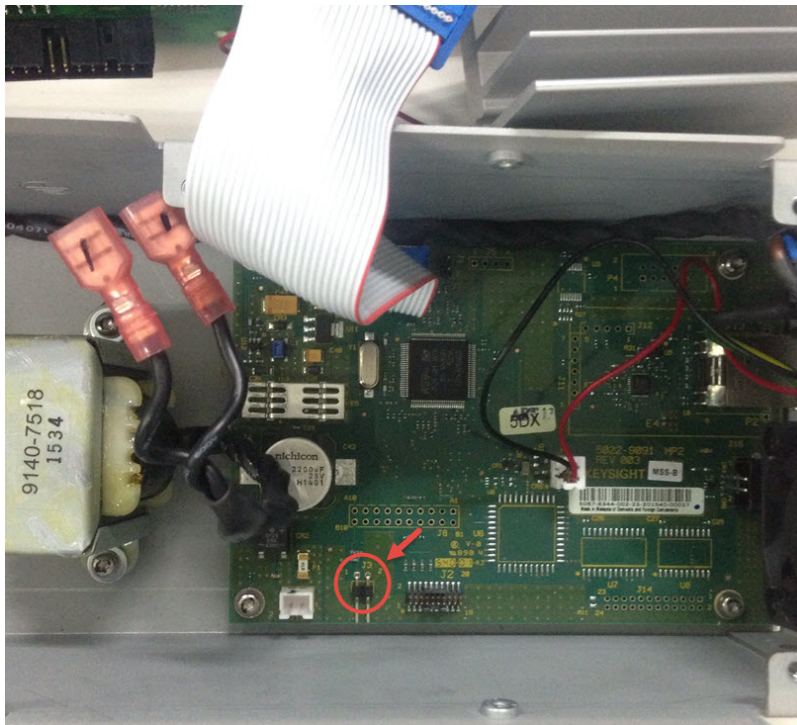
The instrument has a calibration security code to prevent accidental or unauthorized calibration. When you receive your power supply, it is secured by a default security code, as shown below. The security code is not changed by a power cycle or *RST.

Model	Default code
E36102B	036102
E36103B	036103
E36104B	036104
E36105B	036105
E36106B	036106

You can enter a security code of up to 6 digits on the front panel or up to 9 digits from the remote interface.

NOTE

To reset a forgotten security code to its factory default, you can turn on the instrument after shorting CAL SECURE jumper J3 inside the instrument as shown below.



Calibration count

The instrument counts the number of times it has saved calibration data. Your instrument was calibrated at the factory; when you receive your instrument, read and record the initial count. You can only read the calibration count by sending the CAL:COUNT? query, and the calibration count is not change by a power cycle or *RST.

If Auto Save is enabled, the count increments when you exit the calibration state. To avoid double counting, do not manually save the count with Auto Save enabled.

Calibration message

You can use the CALibration:STRing command to store a message of up to 40 characters in calibration memory. For example, you could store the last calibration date, the calibration due date, or contact information for the person responsible for calibration. The calibration message is not affected by a power cycle or *RST.

You can only store the calibration message when the instrument is unsecured, but you can execute the CALibration:STRing? query regardless of whether the instrument is secured. A new calibration message overwrites the previous message, and messages over 40 characters are truncated.

Saving calibration data

You must always save new calibration data before cycling instrument power or leaving the calibration state with the Auto Save feature off. To save calibration data, send CAL:SAVE or save the calibration data from the front panel.

Calibration auto save

The instrument includes a calibration Auto Save feature. This feature automatically saves the calibration data to non-volatile memory and increments the calibration count when you exit the calibration state.

To enable or disable the CAL auto Save feature, send CAL:ASAV ON or CAL:ASAV OFF. To query the CAL auto Save state, send CAL:ASAV?

Calibration procedure

Enter the calibration state

To begin the calibration procedure, you must enter the calibration state.

Step	Front panel	SCPI
1	Press and hold [Calibrate] while powering ON the unit.	
2	Press [Secure] , then turn the knob to the security code, pressing the knob to move between digits. Press [Secure] when done.	CAL:STAT ON, <code>

Calibrate voltage

Let the unit sit with output ON for one minute, then connect the DMM voltage input to the power supply.

Step	Front panel	SCPI
1	Turn the knob to 'Cal Voltage' and press the knob.	CAL:VOLT:LEV MIN
2	Measure the output voltage (low point) with the DMM.	
3	Enter the measured value, and press the knob.	CAL:VOLT <reading> CAL:VOLT:LEV MAX
4	Measure the output voltage (high point) with the DMM.	
5	Enter the measured value, and press the knob.	CAL:VOLT <reading>
6	Read DONE or FAIL on the display.	(wait 10 seconds) SYST:ERR?

Calibrate current

Let the unit sit with output ON for one minute, then connect a current monitoring resistor across the output terminals to be calibrated and then connect a DMM across the terminals of the monitoring resistor.

Step	Front panel	SCPI
1	Turn the knob to Cal Current and press the knob.	CAL:CURR:LEV MIN
2	Measure the low output current with the DMM (DMM reading / shunt resistance).	
3	Enter the measured value, and press the knob.	CAL:CURR <reading> CAL:CURR:LEV MAX
4	Measure the high output current with the DMM (DMM reading / shunt resistance).	
5	Enter the measured value, and press the knob.	CAL:CURR <reading>
6	Read DONE or FAIL on the display.	

Calibrate small current

Allow the unit to sit with output ON for one minute before continuing.

Step	Front panel	SCPI
1	Turn the knob to Cal Current and press the knob.	CAL:CURR:LEV:LOW MIN
2	Wait approximately 40 seconds for the 'Cal in Prog' message to leave the display.	
3	When the display shows second point calibration, connect the DMM current input with the appropriate calibration resistor (see Performance Verification > Recommended test equipment) for your instrument model to the power supply.	
4	Measure output current with the DMM.	CAL:CURR:LEV:LOW MAX
5	Enter the measured value, and press the knob.	CAL:CURR:LOW <rdg>
6	Read DONE or FAIL on the display.	(wait 25 seconds) SYST:ERR?

Save the calibration data

To save calibration data, go to the 'CAL Save' menu to save the calibration data or enable the 'Auto Save' feature. With Auto Save, calibration data will be saved when the user exits the calibration menu.

After completing the Voltage, Current and Small Current calibrations, save the calibration data before exiting the calibration state, or simply exit the calibration state if Auto Save is on.

To save the CAL data: CAL:SAVE

To enable the CAL Auto Save: CAL:ASAVE ON

To exit CAL State: CAL:STAT OFF, 036102

Specifications and Typical Characteristics

NOTE

For the characteristics and specifications of the E36100B Series programmable DC power supplies, refer to the data-sheet at <http://literature.cdn.keysight.com/litweb/pdf/5992-2437EN.pdf>.



This information is subject to change without notice.

© Keysight Technologies 2017-2022

Edition 5, November 2022

Printed in Malaysia



E36100-90002

www.keysight.com

Alimentation électrique CC programmable

Série E36100B



Avertissements	6
Avis de copyright	6
Référence du manuel	6
Modification	6
Publié par	6
Garantie	6
Licences technologiques	6
Droits du Gouvernement des États-Unis	7
Licences tierces	7
Déchets d'équipements électriques et électroniques (DEEE)	7
Certificats de conformité	8
Informations relatives à la sécurité	8
Informations sur la sécurité et la réglementation	9
Consignes de sécurité	9
Symboles de sécurité	11
Mentions réglementaires	12
Déclaration sud-coréenne de CEM de classe A :	12
Exigences de sécurité et de CEM	12
Conditions ambiantes	13
1 Mise en route	14
Introduction	15
Panneau avant	15
Panneau arrière	16
Affichage	17
Schéma de dimensions	18
Configuration de l'instrument	18
Options et informations sur les fusibles	19
Vérifiez que la tension d'entrée CA et les paramètres de fusible sont corrects	19
Plages de programmation	21
Tableau des résolutions de programmation et de relecture	21
Extension de la plage de tension et de courant	22
Connexions en série	22
Connexions en parallèle	22
Opération depuis le panneau avant	23
Configurer l'interface LAN	23
Régler la tension et le courant	24
Spécifier une mesure à 2 ou 4 fils	24
Configurer la protection contre les surintensités (OCP) et la protection contre les surtensions (OVP)	25
Supprimer un événement OCP ou OVP	25
Supprimer un événement de protection contre la surchauffe (OTP)	26
Verrouiller et déverrouiller le panneau avant	26
Sauvegarder ou rappeler l'état de l'instrument	27
Configurer l'état de tension en marche	27
Lire les codes d'erreur	28
Commande à distance	28
Keysight IO Libraries Suite	28
Interface web Série E36100B	28
Détails techniques de la connexion	31
Montage de l'instrument dans une armoire	32
Montage d'un seul instrument dans une armoire	32

Montage en armoire de plusieurs instruments côte à côte	32
2 Programmation SCPI	33
Présentation du langage SCPI	34
Format de commande utilisé dans ce manuel	35
Séparateurs de commandes	36
Utilisation des paramètres MIN et MAX	36
Interroger les réglages des paramètres	36
Termineurs de commande SCPI	37
Commandes courantes IEEE-488.2	37
Types de paramètres SCPI	37
Messages d'erreur	39
Codes d'erreur	39
Registres d'état SCPI	43
Qu'est-ce qu'un registre d'événement ?	43
Qu'est-ce qu'un registre d'activation ?	43
Registre d'activation de l'état des événements	44
Registre d'état de fonctionnement	44
Registre suspect	44
Sous-système APPLy	46
APPLy <voltage> DEFault MINimum MAXimum[,<current> DEFault MINimum MAXimum]APPLy?	46
Sous-système CALibration	47
CALibration:COUNt?	47
CALibration:CURRent[:DATA]:HIGH <value>	47
CALibration:CURRent[:DATA]:LOW <value>	47
CALibration:CURRent:LEVel[:HIGH] MINimum MAXimum	47
CALibration:CURRent:LEVel:LOW MINimum MAXimum	47
CALibration:STATe <state>,<code>CALibration:STATe?	47
CALibration:STRing "<string>"CALibration:STRing?	48
CALibration:VOLTage[:DATA] <value>	48
CALibration:VOLTage:LEVel MINimum MAXimum	48
Sous-système CURRent	49
[SOURce:]CURRent[:LEVel][:IMMediate][:AMPLitude] <current> MINimum MAXimum UP DOWN[SOURce:]CURRent[:LEVel][:IMMediate][:AMPLitude]? [MINimum MAXimum]	49
[SOURce:]CURRent[:LEVel][:IMMediate]:STEP[:INCRement] <current> DEFault[SOURce:]CURRent[:LEVel][:IMMediate]:STEP[:INCRement]? [DEFault]	49
[SOURce:]CURRent[:LEVel]:TRIGgered[:AMPLitude] <current> MINimum MAXimum[SOURce:]CURRent[:LEVel]:TRIGgered[:AMPLitude]? [MINimum MAXimum]	49
[SOURce:]CURRent:PROTection:CLEar	49
[SOURce:]CURRent:PROTection:DELAy[:TIME] <time> MINimum MAXimum[SOURce:]CURRent:PROTection:DELAy[:TIME]? [MINimum MAXimum]	49
[SOURce:]CURRent:PROTection:STATe ON 1 OFF 0[SOURce:]CURRent:PROTection:STATe?	49
[SOURce:]CURRent:PROTection:TRIPped?	50
Sous-système DISPlay	51
DISPlay[:WINDow]:TEXT:CLEar	51
DISPlay[:WINDow]:TEXT[:DATA] "<string>"DISPlay[:WINDow]:TEXT[:DATA]	51
DISPlay[:WINDow]:STATe ON 1 OFF 0DISPlay[:WINDow]:STATe?	51
Sous-système IEEE-488	52
*CLS	52
*ESE <enable value>*ESE?	52
*ESR?	52
*IDN?	52

*OPC*OPC?	53
*OPT?	53
*PSC 0 1*PSC?	53
*RST	53
*RCL <state>*SAV <state>	53
*SRE <enable value>*SRE?	54
*STB?	54
*TRG	54
*TST?	54
*WAI	54
Sous-système MEASure	55
MEASure:CURRent[:DC]?	55
MEASure[:VOLTagE][:DC]?	55
Sous-système OUTPut	56
OUTPut[:STATe] ON 1 OFF 0OUTPut[:STATe]?	56
OUTPut:PROTection:CLEar	56
OUTPut:PON:STATe RST RCL0 RCL1 RCL2 RCL3 RCL4 RCL5 RCL6 RCL7 RCL8 RCL9 OUTPut:PON:STATe?	56
Sous-système STATus	57
STATus:OPERation:[EVENT]?	57
STATus:OPERation:CONDition?	57
STATus:OPERation:ENABle <value>	57
STATus:PRESet	57
STATus:QUEStionable:CONDition?	57
STATus:QUEStionable:ENABle <enable value>STATus:QUEStionable:ENABle?	58
STATus:QUEStionable:[EVENT]?	58
Sous-système SYSTem	59
SYSTem:ERRor[:NEXT]?	59
SYSTem:LOCal	59
SYSTem:REMote	59
SYSTem:RWLock	60
SYSTem:SECurity:IMMediate	60
SYSTem:VERSion?	60
Commandes de déclenchement	61
ABORT	61
INITiate[:IMMediate]	61
INITiate:CONTInuous ON 1 OFF 0INITiate:CONTInuous?	61
*TRG	61
TRIGger[:SEQuence]:DELay <seconds> MINimum MAXimumTRIGger[:SEQuence]:DELay? [MINimum MAXimum]	61
TRIGger[:SEQuence]:SOURce BUS IMMEDIATETRIGger[:SEQuence]:SOURce?	61
Sous-système VOLTage	62
[SOURce:]VOLTagE[:LEVel][:IMMediate][:AMPLitude] <voltage> MINimum MAXimum DEFault[SOURce:]VOLTagE[:LEVel][:IMMediate][:AMPLitude]? [MINimum MAXimum]	62
[SOURce:]VOLTagE[:LEVel][:IMMediate]:STEP[:INCRement] <numeric value> DEFault[SOURce:]VOLTagE[:LEVel][:IMMediate]:STEP[:INCRement]? [DEFault]	62
[SOURce:]VOLTagE[:LEVel]:TRIGgered[:AMPLitude] <voltage> MIN MAX[SOURce:]VOLTagE[:LEVel]:TRIGgered[:AMPLitude]? [MIN MAX]	62
[SOURce:]VOLTagE:PROTection:CLEar	62
[SOURce:]VOLTagE:PROTection:STATe ON 1 OFF 0[SOURce:]VOLTagE:PROTection:STATe?	62
[SOURce:]VOLTagE:PROTection:TRIPped?	62
[SOURce:]VOLTagE:PROTection[:LEVel] <voltage> MINimum MAXimum[SOURce:]VOLTagE:PROTection[:LEVel]? [MINimum MAXimum]	62

[SOURce:]VOLTage:SENSe[:SOURce] INTernal EXTernal	63
3 Entretien et assistance	64
Entretien et réparation	65
Types de services proposés	65
Nettoyage et manutention	65
Dépannage	66
Procédures d'autotest	67
Pour remplacer le fusible - secteur	67
Pièces remplaçables par l'utilisateur	67
Vérification des performances	68
Équipement de test recommandé	68
Remarques relatives aux tests	68
Techniques de mesure	69
Configuration pour la plupart des tests	70
Vérification tension constante (CV)	71
Vérification courant constant (CC)	78
Vérification de courant de plage basse	81
Formulaires de relevé de test	82
Formulaires de relevé de test - Keysight E36102B	83
Formulaires de relevé de test - Keysight E36103B	85
Formulaires de relevé de test - Keysight E36104B	87
Formulaires de relevé de test - Keysight E36105B	89
Formulaires de relevé de test - Keysight E36106B	91
Procédures d'ajustement d'étalonnage	93
Étalonnage électronique– boîtier fermé	93
Périodicité de l'étalonnage	93
Procédure de réglage d'étalonnage	93
Sécurité de l'étalonnage	94
Nombre d'étalonnages	95
Message relatif à l'étalonnage	95
Enregistrer les données d'étalonnage	95
Enregistrement automatique d'étalonnage	95
Procédure d'étalonnage	95
Sauvegarder les données d'étalonnage	97
Spécifications et caractéristiques générales	97

Avertissements

Avis de copyright

© Keysight Technologies , 2017- 2022

Conformément aux lois internationales et des États-Unis relatives à la propriété intellectuelle, la reproduction, le stockage électronique et la traduction de ce manuel, même partiels, sous quelque forme et par quelque moyen que ce soit, sont interdits, sauf consentement écrit préalable de la société Keysight Technologies.

Référence du manuel

E36100-90003

Modification

Édition 5, novembre 2022

Publié par

Keysight Technologies
Bayan Lepas Free Industrial Zone
11900 Penang
Malaisie

Garantie

LES INFORMATIONS CONTENUES DANS CE DOCUMENT SONT FOURNIES EN L'ETAT ET POURRONT FAIRE L'OBJET DE MODIFICATIONS SANS PREAVIS DANS LES EDITIONS ULTÉRIEURES. DANS LES LIMITES DE LA LÉGISLATION EN VIGUEUR, KEYSIGHT EXCLUT EN OUTRE TOUTE GARANTIE, EXPRESSE OU IMPLICITE, CONCERNANT CE MANUEL ET LES INFORMATIONS QU'IL CONTIENT, Y COMPRIS, MAIS NON EXCLUSIVEMENT, LES GARANTIES IMPLICITES DE QUALITÉ MARCHANDE ET D'ADÉQUATION À UN USAGE PARTICULIER. KEYSIGHT NE SAURAIT EN AUCUN CAS ETRE TENUE RESPONSABLE DES ERREURS OU DES DOMMAGES ACCESSOIRES OU INDIRECTS LIES À LA FOURNITURE, A L'UTILISATION OU A L'EXACTITUDE DES INFORMATIONS CONTENUES DANS CE DOCUMENT OU AUX PERFORMANCES DE TOUT PRODUIT AUQUEL IL SE RAPPORTE. SI KEYSIGHT A PASSE UN AUTRE CONTRAT ECRIT AVEC L'UTILISATEUR ET QUE CERTAINS TERMES DE CE CONTRAT SEMBLENT CONTRADICTOIRES AVEC CEUX DU PRESENT DOCUMENT, LES CONDITIONS GENERALES D'UTILISATION DE CE CONTRAT-LA PREVALENT.

Licences technologiques

Le matériel et les logiciels décrits dans ce document sont protégés par un accord de licence et leur utilisation ou reproduction est soumise aux termes et conditions de ladite licence.

Droits du Gouvernement des États-Unis

Le Logiciel est un « logiciel informatique commercial » tel que défini par la Federal Acquisition Regulation (« FAR ») 2.101. Conformément aux FAR 12.212 et 27.405-3 et à l'addenda FAR du Ministère de la défense (« DFARS ») 227.7202, le gouvernement des États-Unis acquiert des logiciels informatiques commerciaux dans les mêmes conditions que celles dans lesquelles les logiciels sont habituellement fournis au public. De ce fait, Keysight fournit le Logiciel aux clients du gouvernement des États-Unis sous la licence commerciale standard, incluse dans son contrat de licence d'utilisateur final (EULA). Vous trouverez une copie de ce contrat sur le site <http://www.keysight.com/find/sweula>. La licence mentionnée dans l'EULA représente l'autorité exclusive par laquelle le gouvernement des États-Unis est autorisé à utiliser, modifier, distribuer ou divulguer le Logiciel. L'EULA et la licence mentionnées dans les présentes n'imposent ni n'autorisent, entre autres, que Keysight : (1) fournisse des informations techniques relatives au logiciel informatique commercial ni à la documentation du logiciel informatique commercial non habituellement fournies au public ; ou (2) abandonne, ou fournisse, des droits gouvernementaux dépassant les droits habituellement fournis au public pour utiliser, reproduire, communiquer, exécuter, afficher ou divulguer le logiciel informatique commercial ou la documentation du logiciel informatique commercial. Aucune exigence gouvernementale autre que celle établie dans l'EULA ne s'applique, sauf dans la mesure où ces conditions, droits ou licences sont explicitement requis de la part de tous les prestataires de logiciels commerciaux conformément à la FAR et au DFARS et sont spécifiquement établis par écrit ailleurs dans l'EULA. Keysight n'est en aucun cas tenu de mettre à jour, de réviser ou de modifier de quelque façon que ce soit le Logiciel. En ce qui concerne toutes les données techniques telles que définies par la FAR 2.101, conformément aux FAR 12.211 et 27.404.2 et au DFARS 227.7102, le gouvernement des États-Unis acquiert des droits n'excédant pas les Droits limités tels que définis dans la FAR 27.401 ou le DFARS 227.7103-5 (c), applicables dans toutes les données techniques.

Licences tierces

Certaines parties de ce logiciel sont concédées sous licence par des tiers, y compris les conditions générales Open Source. Dans la mesure où ces licences exigent que Keysight mette le code source à disposition, nous le ferons gratuitement. Pour plus d'informations, veuillez contacter l'assistance Keysight, à l'adresse <https://www.keysight.com/find/assist>.

Déchets d'équipements électriques et électroniques (DEEE)

Ce produit est conforme aux exigences marketing de la directive DEEE en matière de mise au rebut des équipements électriques et électroniques. L'étiquette collée sur le produit (voir ci-dessous) indique que vous ne devez pas jeter cet appareil électrique/électronique avec les ordures ménagères.

Catégorie du produit : par référence aux types d'équipements décrits dans l'annexe 1 de la directive WEEE, ce produit est classé comme un produit "d'instrumentation de surveillance et de contrôle". Ne le jetez pas avec les ordures ménagères.

Pour retourner vos produits usagés, contactez votre revendeur Keysight le plus proche ou visitez

about.keysight.com/en/companyinfo/environment/takeback.shtml pour de plus amples informations.



Certificats de conformité

Il est possible de télécharger la Déclaration de conformité pour ces produits et d'autres produits Keysight sur le Web. Consultez <https://regulations.about.keysight.com/DoC/default.htm>. Vous pouvez ensuite effectuer une recherche par numéro de produit pour trouver la dernière déclaration de conformité.

Informations relatives à la sécurité

ATTENTION

La mention ATTENTION signale un danger pour le matériel. Si la manœuvre ou la procédure correspondante n'est pas exécutée correctement, il peut y avoir un risque d'endommagement de l'appareil ou de perte de données importantes. En présence de la mention ATTENTION, il convient de ne pas poursuivre tant que les conditions indiquées n'ont pas été parfaitement comprises et remplies.

AVERTISSEMENT

La mention AVERTISSEMENT signale un danger pour la sécurité de l'opérateur. Si la manœuvre ou la procédure correspondante n'est pas exécutée correctement, il peut y avoir un risque grave, voire mortel pour les personnes. En présence de la mention AVERTISSEMENT, il convient de ne pas poursuivre tant que les conditions indiquées n'ont pas été parfaitement comprises et respectées.

Informations sur la sécurité et la réglementation

Consignes de sécurité

Les consignes de sécurité présentées dans cette section doivent être appliquées dans toutes les phases de l'utilisation, de l'entretien et de la réparation de cet instrument. Le non-respect de ces précautions ou des avertissements spécifiques mentionnés dans ce manuel constitue une violation des normes de sécurité établies lors de la conception, de la fabrication et de l'usage normal de l'instrument. Keysight Technologies ne saurait être tenu responsable du non-respect de ces consignes.

AVERTISSEMENT AVANT LA MISE SOUS TENSION

– Vérifiez que le produit est configuré conformément à la tension de ligne disponible et qu'un fusible adapté est installé. Utilisez l'étiquette au bas de l'instrument pour configurer la puissance. Reportez-vous à la section **Options et informations sur les fusibles** pour de plus amples informations.

MISE À LA TERRE DE L'INSTRUMENT

Ce produit est un instrument de mesure de la catégorie de sécurité I (il comporte une borne de terre de protection). Afin de minimiser les risques d'électrocution, son châssis et son armoire doivent être reliés à une prise de terre. L'instrument doit être relié à une source de courant alternatif par l'intermédiaire d'un cordon d'alimentation à trois conducteurs dont le troisième fil est connecté solidement à une prise de terre (prise de terre de sécurité) au niveau de la prise de courant. Toute interruption du conducteur de protection (mise à la terre) ou tout débranchement de la borne de terre de protection entraîne un risque d'électrocution pouvant provoquer des accidents graves. Si l'instrument doit être alimenté via un autotransformateur externe pour réduire la tension, assurez-vous que la borne commune de l'autotransformateur est connectée au neutre (borne mise à la terre) des lignes électriques (alimentation secteur).

NE L'UTILISEZ PAS DANS UNE ATMOSPHÈRE EXPLOSIVE OU DES ENVIRONNEMENTS HUMIDES
N'utilisez pas l'appareil dans des environnements avec des gaz ou des fumées inflammables, de la vapeur ou des environnements humides.

NE FAITES PAS FONCTIONNER DES INSTRUMENTS ENDOMMAGÉS OU DÉFECTUEUX
Les instruments endommagés ou défectueux doivent être désactivés et protégés contre toute utilisation involontaire jusqu'à ce qu'ils aient été réparés par une personne qualifiée.

NE REMPLACEZ JAMAIS DE COMPOSANTS ET N'APPORTEZ AUCUNE MODIFICATION À L'INSTRUMENT.

En raison des risques éventuels supplémentaires, ne remplacez pas de composants et n'apportez aucune modification non autorisée à l'instrument. Pour tout entretien ou réparation, renvoyez le produit à un bureau de ventes et de service après-vente Keysight Technologies. Ainsi, l'intégrité des fonctions de sécurité sera maintenue. Pour contacter Keysight afin d'obtenir un support technique et commercial, consultez les liens d'assistance sur le site Web Keysight suivant : www.keysight.com/find/assist (informations de contact dans le monde entier pour les réparations et le support).

SOYEZ PRUDENT LORSQUE VOUS TRAITÉZ AVEC DES SORTIES SUPÉRIEURES À 60 VDC
Soyez toujours prudent lorsque vous utilisez une tension de sortie supérieure à 60 VDC. Ces tensions présentent un risque d'électrocution.

UTILISER LE CORDON D'ALIMENTATION FOURNI

Utilisez l'appareil avec les cordons d'alimentation fournis avec la livraison.

UTILISER L'APPAREIL COMME INDIQUÉ

Si l'appareil est utilisé d'une manière non préconisée par le fabricant, il se peut que la protection de l'appareil ne soit plus efficace.

NE BLOQUEZ PAS LES ORIFICES D'AÉRATION

Ne bloquez aucun des orifices d'aération de l'appareil.

AVERTISSEMENT

OBSERVEZ TOUTES LES MARQUES SUR L'APPAREIL AVANT DE LE CONNECTER À UN APPAREIL

Observez tous les marquages portés par l'appareil avant de le brancher.

ÉTEIGNEZ L'APPAREIL AVANT DE LE CONNECTER AUX BORNES DE SORTIE

Coupez l'alimentation de l'appareil avant de le connecter aux bornes de sortie.

VÉRIFIEZ QUE LE CAPOT EST BIEN EN PLACE

Ne faites pas fonctionner l'appareil avec son capot démonté ou détaché.



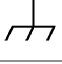




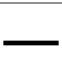

ATTENTION

NETTOYEZ AVEC UN CHIFFON LÉGÈREMENT HUMIDE






Nettoyez les parties externes de l'instrument à l'aide d'un chiffon doux non pelucheux légèrement humidifié.

N'utilisez pas de détergent, de liquides volatiles ou de solvants chimiques.

Symboles de sécurité

Symbole	Signification
	Attention, risque de danger (reportez-vous au manuel pour des informations détaillées sur les avertissements et les mises en garde).
	Borne de terre (masse) de protection.
	Raccordement du cadre ou du châssis à la terre (masse).
	Bouton-poussoir bistable en position enfoncée
	Bouton-poussoir bistable en position normale
	Courant alternatif (CA).
	Courant continu (CC).
	Plus, polarité positive.
	Moins, polarité négative.
AVERTISSEMENT	La mention AVERTISSEMENT signale un danger. Si la manœuvre ou la procédure correspondante n'est pas respectée ou correctement réalisée, il peut y avoir un risque de blessures. En présence de la mention AVERTISSEMENT, il convient de ne pas poursuivre tant que les conditions indiquées n'ont pas été parfaitement comprises et respectées.
ATTENTION	La mention ATTENTION signale un danger. Si la procédure correspondante n'est pas exécutée correctement ou respectée, il peut y avoir un risque d'endommagement ou de destruction d'une partie ou de l'ensemble de l'appareil. En présence de la mention ATTENTION, il convient de ne pas poursuivre tant que les conditions indiquées n'ont pas été parfaitement comprises et remplies.
REMARQUE	La mention REMARQUE signale des informations importantes. Il attire l'attention sur une procédure, une pratique, une condition ou autre, qu'il est important de noter.

Mentions réglementaires

Symbole	Description
	La marque RCM est une marque déposée de l'Australian Communications and Media Authority.
	Le marquage CE est une marque déposée de la Communauté Européenne. Cette marque CE montre que le produit est conforme à toutes les Directives juridiques européennes pertinentes. ICES/NMB-001 indique que cet appareil ISM est conforme à la norme canadienne ICES-001. Cet appareil ISM est conforme à la norme NMB-001 du Canada. La classe A ISM GRP 1 indique qu'il s'agit d'un produit industriel scientifique et médical de groupe 1 classe A.
	Ce symbole indique la période pendant laquelle aucune détérioration ou fuite de substances toxiques ou dangereuses n'est à attendre dans le cadre d'une utilisation normale. La durée de vie prévue du produit est de quarante ans.
	Ce symbole est une déclaration EMC de classe A de Corée du Sud. Il s'agit d'un instrument de classe A adapté à un usage professionnel dans un environnement électromagnétique en dehors du domicile.
	Le marquage CSA est une marque déposée de la Canadian Standards Association.

Déclaration sud-coréenne de CEM de classe A :

Information à l'utilisateur :

La conformité de cet équipement pour une utilisation dans des environnements professionnels a été évaluée. Dans un environnement résidentiel, cet équipement peut causer des interférences radio.

– Cette déclaration EMC ne s'applique que pour les équipements utilisés uniquement dans un environnement professionnel.

사용자 안내문

이 기기는 업무용 환경에서 사용할 목적으로 적합성평가를 받은 기기로서 가정용 환경에서 사용하는 경우 전파간섭의 우려가 있습니다.

– 사용자 안내문은 “업무용 방송통신기자재”에만 적용한다.

Exigences de sécurité et de CEM

Cette alimentation est conçue de manière à se conformer aux exigences de sécurité et de compatibilité CEM (Compatibilité électromagnétique) suivantes :

- Directive basse tension (2014/35/EU)
- Directive CEM (2014/30/EU)
- IEC61010-1 : 2010/EN61010-1 : 2010
- CEI 61326-1:2012/ EN 61326-1:2013

Conditions ambiantes

La série E36100B est conçue pour être utilisée dans des locaux fermés où la condensation est faible. Le tableau ci-dessous illustre les conditions ambiantes générales requises pour cet instrument.

Conditions ambiantes	Exigences
Température	Conditions de fonctionnement : Entre 0°C et 40°C
	Conditions de stockage : Entre -20°C et 70°C
Humidité	Conditions de fonctionnement : Jusqu'à 80 % d'humidité relative à 40 °C (sans condensation)
	Conditions de stockage : Jusqu'à 90% d'humidité relative à 65 °C (sans condensation)
Altitude	Jusqu'à 2000 m
Degré de pollution	2
Catégorie d'installation (entrée AC)	Catégorie II

1 Mise en route

Introduction

Options et informations sur les fusibles

Plages de programmation

Extension de la plage de tension et de courant

Fonctionnement du panneau avant

Commande à distance

Montage de l'instrument dans une armoire

Ce chapitre décrit les informations générales de fonctionnement des alimentations CC programmables de la série E36100B.

Introduction

La série Keysight E36100B est une série d'alimentations CC de banc et de système présentant les caractéristiques et caractéristiques suivantes :

- Sortie unique jusqu'à 100 V ou 5 A
- Petite taille : deux unités de rack (2U), facteur de forme 1/4 de rack
- Capacité de détection déportée
- Panneau avant intuitif
- Affichage à diodes électroluminescentes organiques (OLED) à haute visibilité
- Fonctionnalité haute performance : précision, réponse transitoire et temps d'augmentation/baisse
- Interfaces LAN (LXI Core) et USB pour la programmation à distance avec SCPI

Panneau avant



Élément	Description
A	Poignée de transport robuste
B	Jeu d'informations, affichage OLED à - contraste élevé ; facilement visible même à partir d'angles aigus
C	Bouton rotatif pour une configuration rapide et facile
D	Réglage rapide de la tension/courant et étalonnage électronique du panneau avant
E	La touche Menu ouvre une interface utilisateur intuitive
F	Le verrouillage du panneau avant empêche les modifications accidentelles pendant les tests
G	Commutateur d'activation/désactivation de la sortie pour protéger rapidement votre DUT
H	Interrupteur d'alimentation à deux positions
I	Bornes de détection
J	Bornes de sortie
K	Point de référence au sol

Panneau arrière



Le panneau arrière comprend l'entrée d'alimentation, les ports LAN et USB standard et une fente de sécurité. Utilisez toujours le cordon d'alimentation fourni avec l'instrument ou un cordon d'une puissance équivalente.

Affichage

Le panneau avant de l'alimentation est doté d'un écran OLED à visibilité élevée.

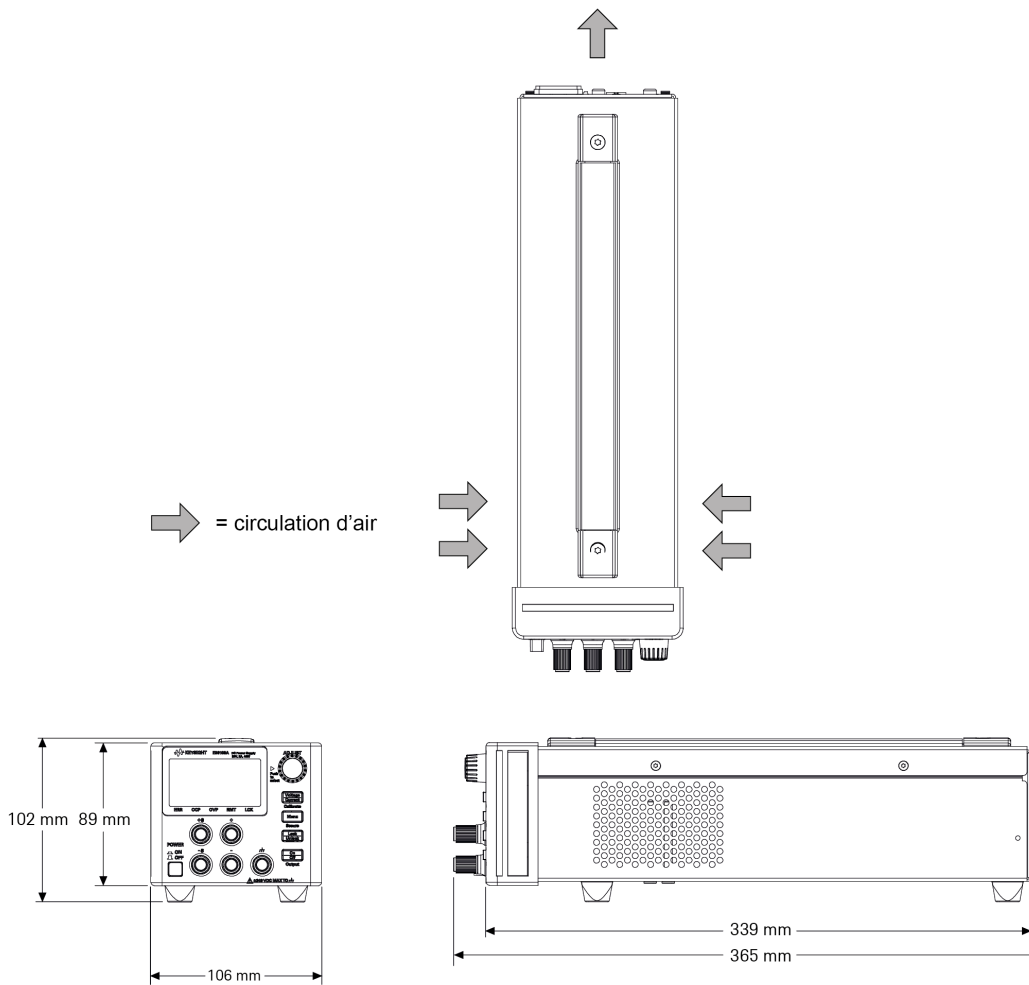


Le coin supérieur gauche de l'écran affiche CV ou CC pour indiquer que l'instrument est en mode tension constante ou courant constant. En dessous se trouve 2W ou 4W, pour indiquer si la mesure à 2 fils (normale) ou à 4 fils (détection à distance) est utilisée. Le côté droit de l'écran affiche la tension et le courant de sortie (lorsque la sortie est activée), et les paramètres de tension et de courant sont affichés près du bas de l'écran.

Tout en bas de l'écran peut afficher des flèches, chacune représentant un annonciateur différent.

Étiquette	Signification
ERR	Une erreur s'est produite.
OCP	Un événement de protection contre les surintensités s'est produit.
OVP	Un événement de protection contre les surtensions s'est produit.
RMT	L'instrument est en cours de programmation à distance.
LCK	Le panneau avant est verrouillé.

Schéma de dimensions



Configuration de l'instrument

Placez les pieds de l'instrument sur une surface horizontale plate et lisse. Connectez les sorties et les câbles de mesure au panneau avant, en veillant à ne pas court-circuiter les câbles. Fixez le câble d'alimentation sur le panneau arrière, puis branchez-le sur l'alimentation secteur. Connectez les câbles LAN ou USB comme vous le souhaitez, et vous pouvez également sécuriser l'instrument avec un câble de verrouillage de sécurité.

Avant de débrancher les câbles et les cordons de l'instrument, éteignez-le à l'aide de l'interrupteur d'alimentation du panneau avant et débranchez-le de la source d'alimentation en déconnectant le cordon d'alimentation amovible.

Options et informations sur les fusibles

AVERTISSEMENT Assurez-vous de commander l'option de l'instrument correspondant à la source d'intensité qui sera utilisée pour l'instrument.

Les options OEM, OE3 et OE9 déterminent la tension de ligne d'alimentation sélectionnée en usine. La valeur par défaut est configurée pour une tension d'entrée 230 V CA \pm 10%, 47-63 Hz (option OE3).

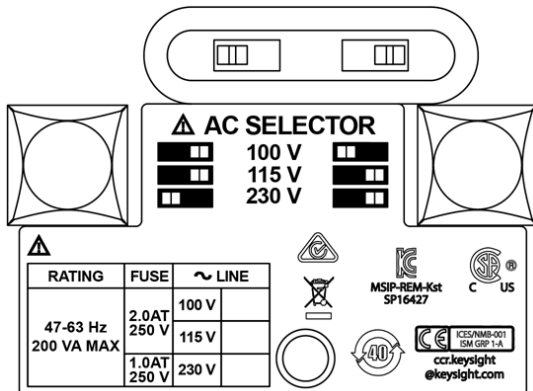
Option	Description
OEM	Tension d'entrée 115 V CA \pm 10%, 47-63 Hz
OE3	Tension d'entrée 230 V CA \pm 10%, 47-63 Hz
OE9	Tension d'entrée 100 V CA \pm 10%, 47-63 Hz

La puissance d'entrée pour E36102B, E36103B, E36104B, E36105B et E36106B est de 200 VA maximum.

Vérifiez que la tension d'entrée CA et les paramètres de fusible sont corrects

Utilisez les paramètres de commutation appropriés

Pour changer le sélecteur de tension d'entrée CA sur l'alimentation, utilisez les deux sélecteurs CA sous l'alimentation comme indiqué.



Par exemple, pour sélectionner 230 V, déplacez le commutateur de gauche à gauche et le commutateur de droite à droite, comme illustré dans le schéma sous les commutateurs.

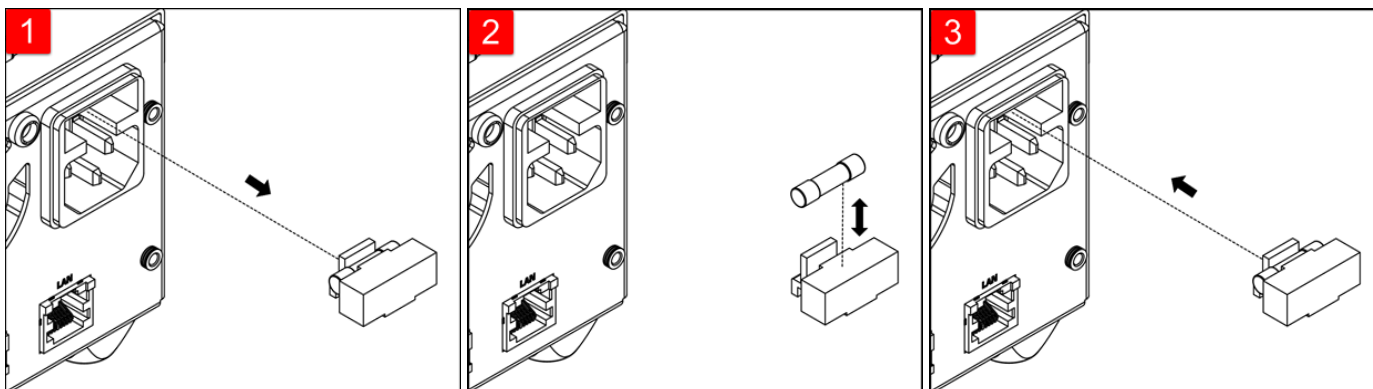
Pour sélectionner 115 V, déplacez les deux commutateurs vers la droite, et pour sélectionner 100 V, déplacez-les l'un vers l'autre.

Utilisez le fusible adapté.

Vous devez utiliser un fusible temporisé 2-A pour les entrées 100- et 115-VAC, et un fusible temporisé 1-A pour les entrées 230-VAC :

Numéro de pièce	Description	Fabricant	Application
2110-1639	Temporisation du fusible 1 A, 250 V	Littelfuse	Tension de ligne 230-V
2110-1640	Temporisation du fusible 2 A, 250 V		Tension de ligne 100- et 115-V

Pour configurer le fusible adapté, suivez les trois étapes ci-dessous :



1 Retirez le porte-fusible de son l'alimentation.

2 Retirez et insérez le fusible approprié dans le porte-fusible.

3 Réinsérez le porte-fusible dans l'alimentation.

Plages de programmation

Le tableau suivant montre la tension, l'intensité et la puissance maximales qu'il est possible de programmer pour chaque modèle. La tension par défaut est toujours 0 V.

Modèle	Tension max (V)	Courant max (A)	Courant de gamme bas max (A)	Puissance max (W)
E36102B	6	5,0	0,020	30
E36103B	20	2,0	0,008	40
E36104B	35	1,0	0,004	35
E36105B	60	0,6	0,003	36
E36106B	100	0,4	0,002	40

Notez que les valeurs programmables réelles sont supérieures de 3 % à ces valeurs nominales, mais les spécifications de l'instrument ne sont garanties que jusqu'aux valeurs indiquées dans ce tableau.

Tableau des résolutions de programmation et de relecture

Modèle	Programmation de tension	Relecture de tension	Programmation de courant	Relecture de courant	Petite relecture de courant
E36102B	0,001 V	0,001 V	0,001 A	0,001 A	0,001 mA
E36103B	0,001 V	0,001 V	0,001 A	0,001 A	0,001 mA
E36104B	0,001 V	0,001 V	0,001 A	0,001 A	0,001 mA
E36105B	0,001 V	0,01 V	0,001 A	0,0001 A	0,001 mA
E36106B	0,001 V	0,01 V	0,001 A	0,0001 A	0,001 mA

Extension de la plage de tension et de courant

L'alimentation peut être en mesure de fournir des tensions et des courants supérieurs à ses sorties maximales nominales si la tension d'alimentation est égale ou supérieure à sa valeur nominale.

Le fonctionnement peut être étendu jusqu'à 3 % au-dessus de la sortie nominale sans endommager l'alimentation, mais les performances ne peuvent pas être garanties pour répondre aux spécifications dans cette région. Si la tension de la ligne électrique est maintenue dans la limite supérieure de la plage de tension d'entrée, l'alimentation fonctionnera probablement dans les limites de ses spécifications. L'alimentation est plus susceptible de rester dans les spécifications si une seule des sorties de tension ou de courant est dépassée.

Connexions en série

Vous pouvez connecter jusqu'à quatre alimentations de la série E36100B jusqu'à l'isolement nominal de sortie de n'importe quelle alimentation pour obtenir une tension plus élevée qu'une seule alimentation peut produire. Les alimentations connectées en série peuvent fonctionner avec une charge sur les deux alimentations ou avec une charge distincte pour chaque alimentation. L'alimentation a une diode de polarité inversée connectée aux bornes de sortie de sorte que si elle est utilisée en série avec d'autres alimentations, aucun dommage ne se produira si la charge est court-circuitée ou si une alimentation est allumée séparément de ses partenaires en série.

Lorsque la connexion en série est utilisée, la tension de sortie est la somme des tensions des alimentations individuelles. Le courant est le courant de n'importe quelle alimentation. Chacune des alimentations individuelles doit être ajustée afin d'obtenir la tension de sortie totale.

Connexions en parallèle

Vous pouvez connecter jusqu'à quatre alimentations de la série E36100B en parallèle pour obtenir un courant de sortie total supérieur à celui qu'une seule alimentation peut produire. Le courant de sortie total est la somme des courants de sortie des différentes alimentations. La sortie de chaque alimentation peut être réglée séparément. Les commandes de tension de sortie d'une alimentation doivent être réglées sur la tension de sortie souhaitée ; l'autre alimentation doit être réglée pour une tension de sortie légèrement plus élevée. L'alimentation avec le réglage de tension de sortie le plus élevé fournira sa sortie de courant constant et baissera sa tension de sortie jusqu'à ce qu'elle soit égale à la sortie de l'autre alimentation, et l'autre alimentation restera en fonctionnement à tension constante et ne fournira que cette fraction de sa sortie nominale. Le courant qui est nécessaire pour répondre à la demande de charge totale.

Opération depuis le panneau avant

Cette section décrit comment effectuer les opérations suivantes depuis le panneau avant de l'instrument.

Configurer l'interface LAN

Régler la tension et le courant

Spécifier une mesure à 2 ou 4 fils

Configurer la protection contre les surintensités (OCP) et la protection contre les surtensions (OVP)

Supprimer un événement OCP ou OVP

Supprimer un événement de protection contre la surchauffe (OTP)

Verrouiller et déverrouiller le panneau avant

Sauvegarder ou rappeler l'état de l'instrument

Configurer l'état de tension en marche

Lire les codes d'erreur

Configurer l'interface LAN

Vous devriez généralement pouvoir vous connecter au réseau local en connectant simplement le câble réseau et en allumant l'instrument. Cependant, vous pouvez utiliser la procédure ci-dessous si vous souhaitez spécifier des connexions autres que les valeurs par défaut ou si vous avez besoin de voir ce qu'est une valeur donnée. Cette section fournit des procédures pour afficher et modifier les paramètres du réseau local.

1. Appuyez sur la touche **[Menu]**.
2. Tournez le bouton sur **I/O Config** et appuyez sur le bouton.
3. Tournez le bouton sur **LAN** et appuyez sur le bouton.
4. Tournez le bouton jusqu'à l'adresse IP souhaitée sur une valeur de la forme xxx.xxx.xxx.xxx, où chaque xxx représente un nombre en base 10 de 0 à 255. Appuyez sur **[Voltage/Current]** pour vous déplacer entre les numéros, puis appuyez sur le bouton pour terminer.
5. L'instrument affiche brièvement CHANGE SAVED pour indiquer la réussite.
6. Tournez le bouton jusqu'à l'adresse de sous-réseau souhaitée en utilisant la même méthode que celle utilisée pour définir l'adresse IP. Appuyez ensuite sur le bouton pour sélectionner.
7. L'instrument affiche brièvement CHANGE SAVED pour indiquer la réussite.
8. Tournez le bouton jusqu'à l'adresse de passerelle souhaitée. Appuyez ensuite sur le bouton pour sélectionner.
9. L'instrument affiche brièvement CHANGE SAVED pour indiquer la réussite.
10. Appuyez sur **[Menu]** pour quitter le menu d'exploitation.

Régler la tension et le courant

REMARQUE Si vous êtes dans un menu, vous devez le quitter avant de régler la tension et le courant.

1. Appuyez sur **[Voltage / Current]**.
2. Tournez le bouton jusqu'à la valeur de tension souhaitée, en appuyant sur le bouton pour passer d'un chiffre à l'autre.
3. Appuyez sur **[Voltage / Current]**.
4. Tournez le bouton jusqu'à la valeur actuelle souhaitée, en appuyant sur le bouton pour passer d'un chiffre à l'autre.
5. Appuyez sur **[Voltage / Current]**.
6. Si l'écran affiche actuellement OFF, appuyez sur **[Output On / Off]** pour activer la sortie. Appuyez à nouveau sur cette touche pour désactiver la sortie.

Tension et intensité constantes

Si la résistance de charge de sortie dépasse le réglage de tension divisé par le réglage de courant, l'instrument fonctionnera en mode de tension constante. L'intensité sera égale à la tension divisée par la résistance de charge.

Si la résistance de charge de sortie est inférieure au réglage de tension divisé par le réglage de courant, l'instrument fonctionnera en mode courant constant. La tension sera égale à l'intensité multipliée par la résistance de charge.

Spécifier une mesure à 2 ou 4 fils

Vous avez la possibilité d'utiliser les bornes de mesure à distance sur le panneau avant pour mesurer la tension sur l'appareil testé (DUT). Pour spécifier si vous souhaitez utiliser cette option :

1. Appuyez sur la touche **[Menu]**.
2. Tournez le bouton sur **Sense Setting** et appuyez sur le bouton.
3. Tournez le bouton sur **Internal** ou **External** et appuyez sur le bouton.

Le réglage interne définit un relais dans l'alimentation pour connecter le connecteur de sortie et de détection. Cela signifie que seuls deux fils sont utilisés et que la télédétection est désactivée. Le paramètre externe fixe un relais dans l'alimentation pour déconnecter la sortie et les entrées de télédétection. Cela signifie que quatre fils sont utilisés et que la mesure à distance est activée.

Configurer la protection contre les surintensités (OCP) et la protection contre les surtensions (OVP)

1. Appuyez sur la touche **[Menu]**.
2. Tournez le bouton sur **OCP Set** ou **OVP Set** et appuyez sur le bouton.
3. Appuyez à nouveau sur le bouton pour choisir OCP Delay ou OVP Level.
4. Tournez le bouton jusqu'à la valeur limite OCP ou OVP souhaitée. Puis appuyez sur le bouton.
5. Tournez le bouton sur **OCP On**, **OCP Off**, **OVP On** ou **OVP Off** et appuyez sur le bouton pour activer ou désactiver OCP ou OVP.
6. Tournez le bouton sur **Exit Menu** et appuyez sur le bouton.

REMARQUE Si OCP ou OVP est activé, l'instrument affichera un triangle au-dessus de l'annonceur OCP ou OVP.

Supprimer un événement OCP ou OVP

L'instrument affiche en évidence un message OCP TRIPPED ou OVP TRIPPED pour indiquer un événement de surintensité ou de surtension. Le triangle au-dessus de OCP ou OVP clignote en continu jusqu'à ce que l'événement soit effacé.

REMARQUE La sortie sera automatiquement désactivée lorsque OCP/OVP se produit.

1. Pour commencer, corrigez la condition qui a provoqué l'événement OCP ou OVP. Il existe trois façons de procéder :
 - a. Désactivez OCP ou OVP comme décrit ci-dessus.
 - b. Réglez le niveau de courant ou de tension pour qu'il soit inférieur au niveau OCP ou OVP. Vous pouvez peut-être le faire en ajustant le réglage de la tension, le réglage du courant ou la résistance de la charge.
 - c. Réglez la valeur limite OCP ou OVP au-dessus du niveau de courant ou de tension.
2. Appuyez sur la touche **[Menu]**.
3. Tournez le bouton sur **OCP Set** ou **OVP Set** et appuyez sur le bouton.
4. Tournez le bouton jusqu'à la valeur limite OCP ou OVP souhaitée (si elle doit être modifiée). Puis appuyez sur le bouton.
5. Tournez le bouton sur **OCP Clear** ou **OVP Clear** et appuyez sur le bouton.

Supprimer un événement de protection contre la surchauffe (OTP)

L'instrument affiche bien en vue un message OTP TRIPPED pour indiquer un événement OTP. De plus, le triangle au-dessus de ERR clignotera en continu jusqu'à ce que l'événement d'erreur soit effacé.

REMARQUE La sortie sera automatiquement désactivée lorsque OTP se produit.

L'événement de surchauffe sera enregistré dans la liste d'erreurs et vous devez effacer l'événement OTP avant que la sortie ne puisse être réactivée.

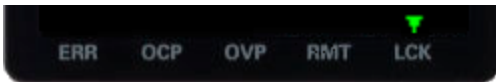
1. Pour commencer, corrigez la condition qui a causé l'événement OTP et laissez l'instrument refroidir.
2. Appuyez sur la touche **[Menu]**.
3. Tournez le bouton sur **Error** et appuyez sur le bouton. L'instrument affichera brièvement un message du type 3 ERREURS (le nombre variera) pour indiquer le nombre d'erreurs dans la file d'attente.
4. Tournez le bouton pour faire défiler les codes d'erreur, en les enregistrant au fur et à mesure. Appuyez sur le bouton pour afficher la description de l'erreur. Appuyez sur **[Menu]** pour quitter et effacer la liste des erreurs.

REMARQUE Un événement OTP se produira à nouveau après son effacement si l'instrument reste en surchauffe.

Verrouiller et déverrouiller le panneau avant

REMARQUE Si vous êtes dans un menu, vous devez le quitter avant de verrouiller le panneau avant.

1. Appuyez sur **[Lock/ Unlock]** pour verrouiller le panneau avant. Cela produit un triangle annonceur LCK, comme illustré ci-dessous.



2. Si vous appuyez sur une touche après le verrouillage du panneau avant, l'écran affichera HOLD KEY. Ce message indique que vous devez appuyer et maintenir la touche **[Lock / Unlock]** pour déverrouiller le panneau avant et effacer le triangle LCK.

Sauvegarder ou rappeler l'état de l'instrument

L'instrument vous permet d'enregistrer et de rappeler l'état de l'instrument dans l'un des 10 emplacements de mémoire, étiquetés de 0 à 9. Cela vous permet de configurer rapidement l'instrument pour les applications couramment utilisées.

Un état d'instrument comprend l'état d'activation de la sortie de l'instrument, les paramètres de tension et de courant, ainsi que les paramètres OCP et OCV. Il n'inclut pas les codes d'erreur ou les informations de configuration LAN.

Pour enregistrer ou rappeler l'état de l'instrument

1. Appuyez sur la touche **[Menu]**.
2. Tournez le bouton sur **Store** (ou **Recall**) et appuyez sur le bouton.
3. Tournez le bouton sur une option de **Store 0 à Store 9** (ou **Recall 0 à Recall 9**) et appuyez sur le bouton pour stocker ou rappeler l'état actuel de l'instrument dans l'emplacement mémoire spécifié.
4. L'instrument affiche brièvement DONE.

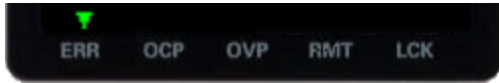
Configurer l'état de tension en marche

L'instrument vous permet de rappeler l'état de mise sous tension en tant qu'état par défaut (*RST) ou l'état stocké dans l'un des 10 emplacements de mémoire (0 à 9). Pour configurations l'état à la mise sous tension :

1. Appuyez sur la touche **[Menu]**.
2. Tournez le bouton sur **Power-on** et appuyez sur le bouton.
3. Tournez le bouton sur Par défaut ou sur un état de Rappel 0 à Rappel 9 et appuyez sur le bouton pour faire votre sélection.
4. L'instrument affichera brièvement CHANGED SAVED si l'état de rappel est différent de l'état précédent, et NO CHANGE si le même état a été sélectionné.

Lire les codes d'erreur

REMARQUE Vous n'avez besoin de le faire que s'il y a un triangle sur ERR dans le coin inférieur gauche de l'écran, comme indiqué ci-dessous. Assurez-vous de suivre attentivement la procédure ci-dessous et enregistrez chaque code d'erreur dans l'ordre. Une fois que vous quittez ce menu, il n'y a aucun moyen de récupérer à nouveau les codes d'erreur.



1. Appuyez sur la touche **[Menu]**.
2. Tournez le bouton sur **Error** et appuyez sur le bouton. L'instrument affichera brièvement un message du type 3 ERREURS (le nombre variera) pour indiquer le nombre d'erreurs dans la file d'attente.
3. Tournez le bouton pour faire défiler les codes d'erreur, en les enregistrant au fur et à mesure.

Commande à distance

Vous pouvez contrôler l'instrument à distance de deux manières. Pour programmer l'instrument via SCPI, utilisez les bibliothèques Keysight IO. Pour contrôler l'instrument via un panneau avant simulé, utilisez l'interface Web de l'instrument.

Keysight IO Libraries Suite

La suite Keysight IO Libraries est une série de logiciels de commande d'instruments gratuits qui découvre automatiquement des instruments et vous permet de commander des instruments sur la LAN, USB, GPIB, RS-232 et d'autres interfaces. Pour plus d'informations ou pour télécharger IO Libraries, rendez-vous à l'adresse www.keysight.com/find/iosuite.

Interface web Série E36100B

Vous pouvez surveiller contrôler l'instrument à partir d'un navigateur Web en utilisant l'interface Web de l'instrument. Pour vous connecter, saisissez simplement l'adresse IP ou le nom d'hôte de l'instrument dans la barre d'adresse de votre navigateur et appuyez sur Entrée.

REMARQUE Si vous voyez une erreur indiquant 400 : requête incorrecte, liée à un problème avec les « cookies » dans votre navigateur Web. Pour éviter ce problème, démarrez l'interface Web en utilisant l'adresse IP (pas le nom d'hôte) dans la barre d'adresse ou effacez les cookies de votre navigateur juste avant de lancer l'interface Web.

Home Control Instrument Configure LAN



Connected to E36102B DC Power Supply



Enable front panel identification indicator

Description

Model number	E36102B DC Power Supply 6V, 5A, 30W
Serial number	MY57086423
Firmware revision	1.0.0-1.00
Description	Keysight E36102B DC Power Supply - MY57086423

VISA instrument addresses

VXI-11 LAN protocol	TCPIP::
USB (USBTMC/488)	USB::

▼ More Information


Cochez la case sous la photo de l'instrument pour activer un indicateur sur le panneau avant de l'instrument. Cela est utile si vous disposez de plusieurs instruments de la série E36100B et que vous souhaitez identifier celui auquel vous êtes connecté.

L'onglet Configure LAN en haut vous permet de modifier les paramètres du réseau local de l'instrument ; soyez prudent lorsque vous faites cela, car vous pouvez interrompre votre communication avec l'instrument.

Lorsque vous cliquez sur l'onglet Instrument de contrôle, l'instrument vous demandera un mot de passe (la valeur par défaut est *keysight*, en minuscules), cela ouvrira une nouvelle page, représentée ci-dessous.

Control Instrument > Soft Front Panel



 Warning: Should network communication issues occur, the reported readings and instrument configuration settings shown in the Soft Front Panel may not represent the actual readings or instrument state. Do not rely on the reported readings from the Soft Front Panel to determine if a circuit that may have hazardous voltages present is safely de-energized.



Screenshot

Cette interface vous permet d'utiliser l'instrument comme vous le feriez à partir du panneau avant. Notez les flèches incurvées qui vous permettent de « tourner » le bouton. Vous pouvez cliquer sur le bouton pour « appuyer » dessus, tout comme vous presseriez l'une des autres touches du panneau avant.

AVERTISSEMENT Lire l'avertissement
Veillez à lire et à comprendre l'avertissement en haut de la page Instrument de contrôle.

Détails techniques de la connexion

Dans la plupart des cas, vous pouvez vous connecter facilement à l'instrument avec la suite IO Libraries ou l'interface Web. Dans certaines circonstances, il peut être utile de connaître les informations suivantes.

Interface Détails	
VXI-11	Chaîne VISA : TCPIP0::<Adresse IP>::inst0::INSTR
LAN	Exemple : TCPIP0::192.168.10.2::inst0::INSTR
IU Web	Numéro de port 80, URL http://<Adresse IP >/
	USB0::0x2A8D::<ID Prod>::Numéro de série::0::INSTR
	Exemple : USB0::0x2A8D::0x0902::MY55160003::0::INSTR
	L'ID fournisseur : 0x2A8D, l'ID du produit est 0x0902 et le numéro de série de l'instrument est MY55160003.
	L'ID du produit varie selon le modèle : 0x1502 (E36102B), 0x1602 (E36103B), 0x1702 (E36104B), 0x1802 (E36105B), 0x1902 (E36106B).

Utilisation de sockets

REMARQUE Les alimentations permettent de réaliser une prise de données.

Les instruments Keysight ont normalisé l'utilisation du port 5025 pour les services de socket SCPI. Un socket de données sur ce port permet d'émettre ou de recevoir des commandes, des demandes et des réponses ASCII/SCPI. Toutes les commandes doivent se terminer par une nouvelle ligne pour le message à traiter. Toutes les réponses doivent également se terminer par une nouvelle ligne.

Montage de l'instrument dans une armoire

REMARQUE Utilisez le kit de montage en armoire comme indiqué ci-dessous pour monter l'instrument dans une armoire. Les instructions d'installation sont fournies avec le kit de montage en armoire.

Utilisez les rails de guidage dans l'armoire.

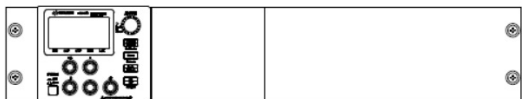
ATTENTION Pour éviter toute surchauffe, ne bloquez pas le flux d'air vers ou depuis l'instrument. Laissez un espace suffisant à l'arrière, sur les côtés et sous l'instrument afin de permettre une circulation d'air interne suffisante.

L'alimentation peut être installée dans une armoire de baie standard de 19 pouces. Ils sont conçus pour tenir dans deux unités de rack (2U) d'espace.

Démontez les pieds avant d'installer l'appareil dans l'armoire. N'obstruez pas l'entrée et les sorties d'air situées sur les côtés et à l'arrière de l'appareil.

Montage d'un seul instrument dans une armoire

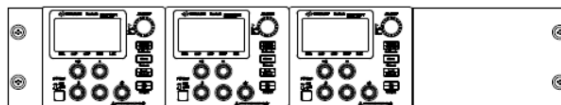
Pour installer un seul instrument en armoire, commandez la référence E36102-66502.



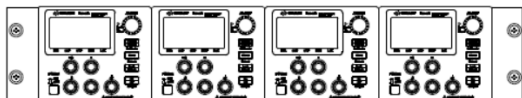
Montage en armoire de plusieurs instruments côte à côte



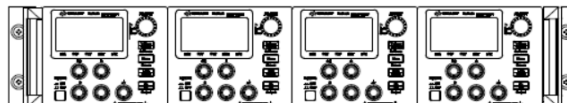
Kit de montage en armoire avec bride pour 2 unités (E36102-66503)



Kit de montage en armoire avec bride pour 3 unités (E36102-66504)



Kit de montage en armoire avec bride pour 4 unités (E36102-66505)



Kit de montage en armoire avec bride et poignées pour 4 unités (E36102-66506)

2 Programmation SCPI

Présentation du langage SCPI

Messages d'erreur

Registres d'état SCPI

Sous-système APPLy

Sous-système CALibration

Sous-système CURRent

Sous-système DISPlay

Sous-système IEEE-488

Sous-système MEASure

Sous-système OUTPut

Sous-système STATus

Sous-système SYSTem

Commandes de déclenchement

Sous-système VOLTage

Ce chapitre décrit les informations de programmation pour les alimentations CC programmables de la série E36100B.

Présentation du langage SCPI

SCPI (Standard Commands for Programmable Instruments) est un langage de commande d'instrument ASCII conçu pour les instruments de test et de mesure. Reportez-vous à la Présentation de la programmation simplifiée pour les techniques de base de programmation de l'alimentation via l'interface distante.

Les commandes SCPI sont hiérarchiquement structurées (système arborescent). Dans ce système, les commandes associées sont regroupées dans un nœud (ou racine) commun pour former un sous-système. Une partie du sous-système SOURce est représentée ci-dessous pour illustrer l'arborescence.

[SOURce:]

CURRent {<current>|MIN|MAX|UP|DOWN} CURRent? [MIN|MAX]

CURRent :

TRIGgered {<current>|MIN|MAX} TRIGgered? {MIN|MAX}

VOLTage {<voltage>|MIN|MAX|UP|DOWN} VOLTage? [MIN|MAX]

VOLTage:

TRIGgered {<voltage>|MIN|MAX} TRIGgered? {MIN|MAX}

SOURce est le mot-clé racine de la commande, CURRent et VOLTage sont des mots-clés de deuxième niveau et TRIGgered est le mot-clé de troisième niveau. Un signe deux-points (:) sépare un mot clé d'un mot clé de niveau inférieur.

Format de commande utilisé dans ce manuel

Le format utilisé pour afficher les commandes dans ce manuel est indiqué ci-dessous :

```
CURRent {<current>|MINimum|MAXimum|UP|DOWN}
```

La syntaxe des commandes affiche la plupart des commandes (et certains paramètres) sous la forme d'un mélange de lettres majuscules et minuscules. Les majuscules indiquent l'abréviation des commandes. Pour réduire la taille des lignes de programme, utiliser la forme abrégée. Pour une meilleure lisibilité des programmes, utiliser la forme complète.

Par exemple, dans l'instruction ci-dessus, CURR et CURRENT (courant) sont deux formes acceptables. Vous pouvez utiliser des lettres majuscules ou minuscules. Par conséquent, CURRENT, curr et Curr sont tous acceptables. Les autres formes, comme CUR et CURREN, ne sont pas acceptables et entraînent une erreur.

Les accolades ({ }) entourent les paramètres d'une commande donnée. Elles ne sont pas envoyées avec la chaîne de caractères des commandes.

Une barre verticale (|) sépare plusieurs paramètres dans une chaîne de commande donnée.

Les crochets angulaires (< >) indiquent que vous devez spécifier une valeur pour le paramètre délimité. Par exemple, l'instruction suivante indique le paramètre actuel entre les signes < et > . Les crochets ne sont pas envoyés avec la chaîne de commande. Vous devez spécifier une valeur pour le paramètre (comme CURR 0.1).

Certains paramètres sont placés entre crochets ([]). Cela indique que ce paramètre est facultatif et peut être omis. Les crochets ne sont pas envoyés avec la chaîne de commande. Si vous ne spécifiez pas de valeur pour un paramètre facultatif, l'alimentation choisit la valeur par défaut.

Un signe deux-points (:) sépare un mot clé d'un mot clé de niveau inférieur. Vous devez insérer un espace pour séparer un paramètre d'un mot clé de commande. Si une commande nécessite plusieurs paramètres, vous devez les séparer par une virgule (voir ci-dessous) :

```
SOURce:CURRent:TRIGgered
```

```
APPLy 3.5,1.5
```

Séparateurs de commandes

Un signe deux-points (:) sépare un mot clé d'un mot clé de niveau inférieur, comme indiqué ci-dessous :

```
SOURce:CURRent:TRIGgered
```

Un point-virgule (;) est utilisé pour séparer deux commandes au sein du même sous-système et peut également minimiser la saisie. Par exemple, envoyer la chaîne de commande suivante :

```
SOUR:VOLT MIN;CURR MAX
```

est identique aux deux commandes suivantes :

```
SOUR:VOLT MIN
```

```
SOUR:CURR MAX
```

Utilisez deux points et un point-virgule pour lier les commandes de différents sous-systèmes. Par exemple, dans la chaîne de commande suivante, une erreur est générée si vous n'utilisez pas les deux points et le point-virgule :

```
DISP:TEXT:CLE;;SOUR:CURR MIN
```

Utilisation des paramètres MIN et MAX

Vous pouvez substituer MINimum ou MAXimum à la place d'un paramètre pour de nombreuses commandes. Par exemple, examinons la chaîne :

```
CURRent {<current>|MIN|MAX}
```

Au lieu de sélectionner un courant spécifique, vous pouvez remplacer MINimum pour régler le courant à sa valeur minimale ou MAXimum pour régler le courant à sa valeur maximale.

Interroger les réglages des paramètres

Vous pouvez interroger la valeur de la plupart des paramètres en ajoutant un point d'interrogation (?) à la commande. Par exemple, la commande suivante définit le courant de sortie sur 5 A :

```
CURR 5
```

Vous pouvez rechercher la valeur en exécutant :

```
CURR?
```

Vous pouvez également interroger la valeur maximale ou minimale autorisée avec la fonction actuelle comme suit :

```
CURR? MAX CURR? MIN
```

ATTENTION

Si vous envoyez deux commandes de requête sans lire la réponse de la première, puis essayez de lire la deuxième réponse, vous pouvez recevoir des données de la première réponse suivies de la deuxième réponse complète. Pour éviter cela, n'envoyez pas de commande de requête sans lire la réponse. Lorsque vous ne pouvez pas éviter cette situation, envoyez un périphérique clear avant d'envoyer la deuxième commande de requête.

Termineurs de commande SCPI

Une commande envoyée à l'alimentation doit se terminer par le caractère <nouvelle ligne>. Le message IEEE-488 EOI (fin-or-identify) est interprété comme un caractère <nouvelle ligne> et peut être utilisé pour terminer une chaîne de commande à la place d'un caractère <nouvelle ligne>. Un <retour chariot> suivi d'une <nouvelle ligne> est également accepté. Le caractère de fin de commande réinitialise toujours le chemin de la commande SCPI au niveau racine. Le caractère <nouvelle ligne> a le code décimal ASCII de 10.

Commandes courantes IEEE-488.2

La norme IEEE-488.2 définit un ensemble de commandes communes qui exécutent des fonctions telles que des opérations de réinitialisation, d'autotest et d'état. Les commandes courantes commencent toujours par un astérisque (*), comportent quatre à cinq caractères et peuvent inclure un ou plusieurs paramètres. Le mot-clé d'une commande est séparé du premier paramètre par un espace blanc. Utilisez un point virgule (;) pour séparer plusieurs commandes, comme indiqué ci-dessous :

```
*RST; *CLS; *ESE 32; *OPC?
```

Types de paramètres SCPI

Le langage SCPI définit plusieurs formats de données différents à utiliser dans les messages de programme et les messages de réponse.

Paramètres numériques

Les commandes qui nécessitent des paramètres numériques acceptent toutes les notations décimales courantes des nombres, y compris les signes facultatifs, les points décimaux et la notation scientifique. Des valeurs spéciales pour les paramètres numériques tels que MINimum, MAXimum et DEFault sont également acceptées.

Vous pouvez également envoyer des suffixes d'unités techniques (V, A ou SEC) avec des paramètres numériques. Si seules des valeurs numériques spécifiques sont acceptées, l'alimentation arrondira automatiquement les paramètres numériques d'entrée. La commande suivante utilise un paramètre numérique :

```
CURR {<current>|MIN|MAX|UP|DOWN}
```

Paramètres discrets

Les paramètres discrets permettent de programmer des réglages ayant un nombre limité de valeurs tel que BUS et IMM. Les réponses aux requêtes retournent toujours la forme abrégée en majuscules. La commande suivante utilise un paramètre discret :

```
TRIG:SOUR {BUS|IMM}
```

Paramètres booléens

Les paramètres booléens représentent une condition binaire exclusivement vraie ou fausse. Pour une condition fausse, l'instrument accepte "OFF" ou "0". Pour une condition vraie, l'instrument accepte "ON" ou "1". Lorsque vous effectuez une requête sur un paramètre logique, l'alimentation renvoie toujours "0" ou "1". La commande suivante utilise un paramètre booléen :

```
DISP {OFF|ON}
```

Paramètres de chaîne

Les paramètres de chaînes peuvent pratiquement contenir n'importe quelle combinaison de paramètres ASCII. Une chaîne de caractères doit commencer et se terminer par des guillemets simples ou doubles. Vous pouvez inclure le délimiteur de guillemets dans la chaîne de caractères en le tapant deux fois sans caractères entre eux. La commande suivante utilise un paramètre de chaîne de caractères :

```
DISP:TEXT <quoted string>
```

Messages d'erreur

L'instrument retourne des messages d'erreur conformes au à la norme SCPI.

- Jusqu'à 20 erreurs peuvent être stockées dans la file d'attente d'erreurs de l'instrument, et l'indicateur triangulaire au-dessus de ERR s'allume lorsqu'une ou plusieurs erreurs se trouvent dans la file d'attente d'erreurs.
- Erreur de récupération premier entré/premier sorti (FIFO) ; ces erreurs sont effacées à la lecture. Après avoir lu toutes les erreurs de la file d'erreurs, le voyant **ERR** s'éteint.
- Si plus de 20 erreurs se sont produites, la dernière erreur stockée dans la file d'attente (l'erreur la plus récente) est remplacée par -350, Queue overflow ». Aucune erreur supplémentaire n'est enregistrée tant que vous ne supprimez pas des erreurs de la file. Si aucune erreur ne s'est produite depuis la dernière consultation de la file d'erreurs, l'appareil indique +0, "No error" (aucune erreur).
- Envoyer SYSTem:ERRor? pour lire l'erreur la plus récente. Chaque erreur est au format suivant : -104, "Data type error".
- Pour lire la file d'erreurs à partir du panneau avant, appuyez sur **[Menu]**, puis tournez le bouton sur Erreur et appuyez sur le bouton pour le sélectionner. Tournez ensuite le bouton pour afficher les codes d'erreur. Assurez-vous d'enregistrer les messages d'erreur, car ils seront effacés lorsque vous quitterez la liste d'erreurs.
- La file d'attente d'erreurs est effacée par des cycles d'alimentation et ***CLS**, mais pas ***RST**.

Codes d'erreur

Les codes d'erreur de l'instrument sont répertoriés ci-dessous :

- 440, "Query UNTERMINATED after indefinite response"
- 430, "Requête DEADLOCKED"
- 420, "Query UNTERMINATED"
- 410, "Query INTERRUPTED"
- 400, "Query error"
- 363, "Input buffer overrun"
- 350, "Queue overflow"
- 330, "Self-test failed"
- 310, "System error"
- 277, "Macro redefinition not allowed"
- 276, "Macro recursion error"
- 273, "Illegal macro label"
- 272, "Macro execution error"
- 270, "Macro error"

-241, "Hardware missing"
-230, "Data corrupt or stale"
-225, "Out of memory"
-224, "Illegal parameter value"
-223, "Too much data"
-222, "Data out of range"
-221, "Settings conflict"
-213, "Init ignored"
-211, "Trigger ignored"
-200, "Execution error"
-183, "Invalid inside macro definition"
-181, "Invalid outside macro definition"
-178, "Expression data not allowed"
-171, "Invalid expression"
-170, "Expression error"
-168, "Block data not allowed"
-161, "Invalid block data"
-158, "String data not allowed"
-151, "Invalid string data"
-150, "String data error"
-148, "Character data not allowed"
-141, "Invalid character data"
-138, "Suffix not allowed"
-134, "Suffix too long"
-131, "Invalid suffix"
-128, "Numeric data not allowed"
-124, "Too many digits"
-123, "Exponent too large"
-121, "Invalid character in number"
-114, "Header suffix out of range"

-113, "Undefined header" (en-tête indéfini)
-112, "Program mnemonic too long"
-109, "Missing parameter"
-108, "Parameter not allowed"
-105, "GET not allowed"
-104, "Data type error"
-103, "Invalid separator"
-102, "Syntax error"
-101, "Invalid character"
-100, "Command error"
514, "LAN config error"
561, "Analog board - failed to save to EEPROM"
564, "Analog board - failed to load from EEPROM"
565, "Analog board - over temperature"
566, "Analog board - command timed out"
601, "Front panel does not respond"
609, "System ADC test failed"
610, "I/O board not plugged in"
611, "Unsupported I/O board"
612, "Analog board does not respond"
613, "Analog bias output $\pm 15V$ test failed"
614, "EEPROM test failed"
615, "EEPROM save failed"
616, "Model no mismatched"
630, "Fan test failed"
631, "System DAC test failed"
701, "Cal security disabled by jumper"
702, "Invalid state. Cal secured"
703, "Invalid secure code"
704, "Secure code too long"

708, "Cal output disabled"
717, "Cal OVP or OCP status enabled"
721, "Failed to calibrate voltage DAC"
722, "Failed to calibrate voltage ADC"
723, "Failed to calibrate OVP"
724, "Failed to calibrate current DAC"
725, "Failed to calibrate current ADC"
726, "Failed to calibrate OCP"
727, "Invalid Calibration sequence"
728, "Calibration failed"

Registres d'état SCPI

Tous les instruments SCPI implémentent les registres d'état de la même manière. Le système d'état enregistre diverses conditions de l'instrument dans trois groupes de registres : le registre d'octet d'état, le registre d'événement standard et les groupes de registres d'état douteux. Le registre d'octet d'état enregistre les informations récapitulatives de haut niveau signalées dans les autres groupes de registres.

Qu'est-ce qu'un registre d'événement ?

Un registre d'événements est un registre en lecture seule qui signale des conditions définies au sein de l'instrument. Les bits d'un registre d'événements sont verrouillés. Une fois qu'un bit d'événement est défini, les changements d'état ultérieurs sont ignorés. Les bits d'un registre d'événements sont automatiquement effacés par une requête de ce registre (comme *ESR? ou STAT:QUES:EVENT?) ou en envoyant la commande *CLS (clear status). Une réinitialisation (*RST) ou un effacement de périphérique n'effacera pas les bits dans les registres d'événements. L'interrogation d'un registre d'événements renvoie une valeur décimale correspondant à la somme pondérée binaire de tous les bits définis dans le registre.

Qu'est-ce qu'un registre d'activation ?

Un registre d'activation définit quels bits dans le registre d'événements correspondant sont logiquement combinés ensemble pour former un seul bit de résumé. Les registres d'activation sont à la fois lisibles et inscriptibles. L'interrogation d'un registre d'activation ne l'effacera pas. La commande *CLS (clear status) n'efface pas les registres d'activation mais elle efface les bits dans les registres d'événements. Pour activer des bits dans un registre d'activation, vous devez écrire une valeur décimale qui correspond à la somme pondérée binaire des bits que vous souhaitez activer dans le registre.

Registre d'activation de l'état des événements

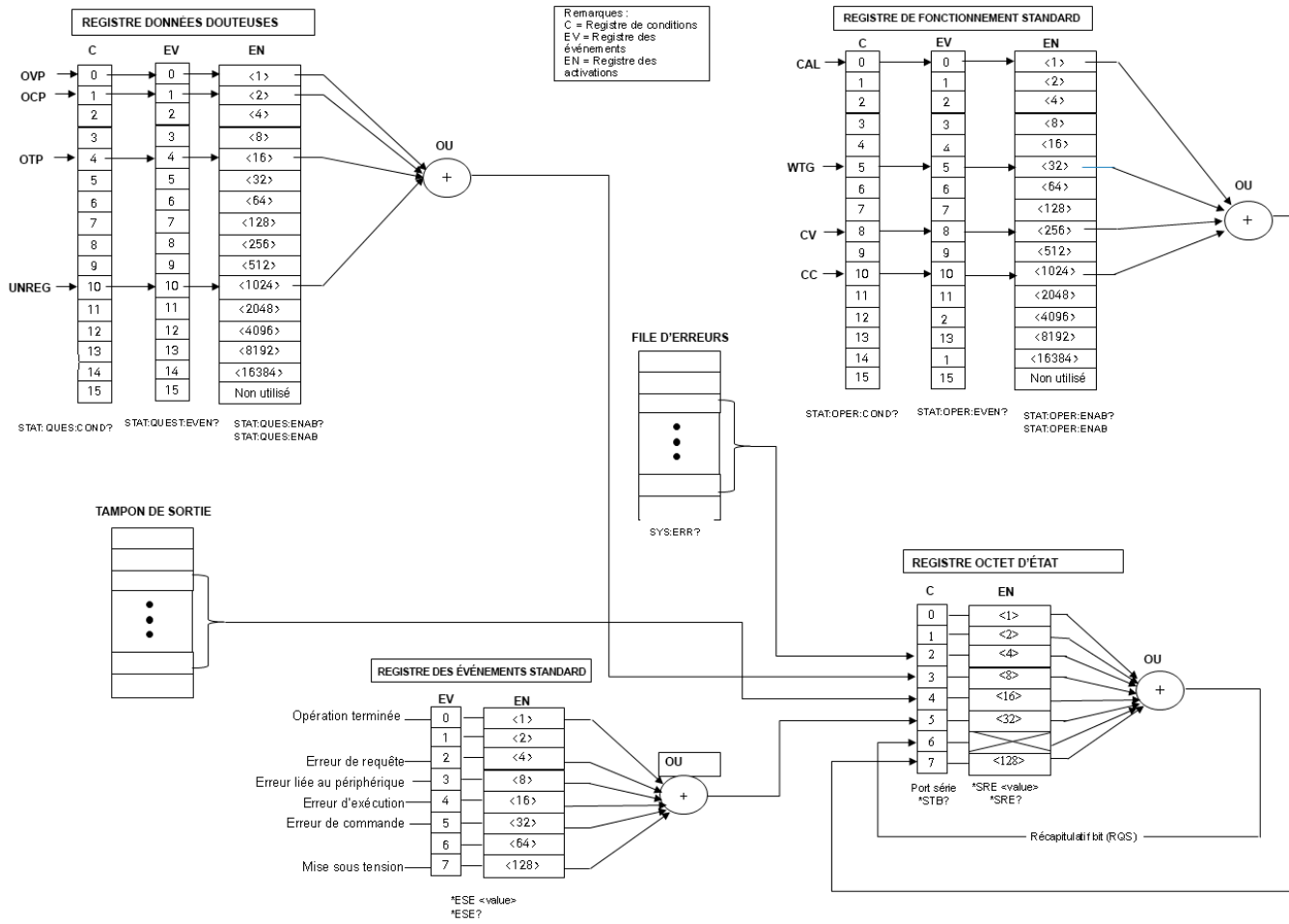
Bit	Valeur	Nom	Description
0	1	OPC	Opération terminée
1	2	(non-utilisé)	(réservé un usage futur).
2	4	QYE	Query error
3	8	DDE	Erreur liée au périphérique
4	16	EXE	Erreur d'exécution
5	32	CME	Erreur de commande
6	64	(non-utilisé)	(réservé un usage futur).
7	128	PON	Mise sous tension

Registre d'état de fonctionnement

Bit	Valeur	Nom	Description
0	1	CAL	La sortie calcule de nouvelles constantes d'étalonnage
1-4	2-16	(non-utilisé)	(réservé un usage futur).
5	32	WTG	La sortie attend un déclencheur.
6-7	64-128	(non-utilisé)	(réservé un usage futur).
8	256	CV	La sortie est en mode de tension constante.
9	512	(non-utilisé)	(réservé un usage futur).
10	1024	CC	La sortie est en mode d'intensité constante.

Registre suspect

Bit	Valeur	Nom	Description
0	1	OV	Sortie désactivée par protection contre les surtensions
1	2	OC	Sortie désactivée par protection contre les surintensités
2-3	4-8	(non-utilisé)	(réservé un usage futur).
4	16	OT	Sortie désactivée par protection contre la surchauffe
5-9	32-512	(non-utilisé)	(réservé un usage futur).
10	1024	UNR	La sortie n'est pas régulée



Sous-système APPLy

APPLy <voltage>| DEFault | MINimum | MAXimum[,<current>| DEFault | MINimum | MAXimum]
APPLy?

Spécifie et modifie la tension et le courant de sortie en une seule commande.

- Les valeurs DEFault, MINimum et MAXimum pour chaque mode sont affichées dans les **Plages de programmation**.
- La requête renvoie une chaîne entre guillemets avec le paramètre de tension avant le paramètre actuel.
- Les deux valeurs renvoyées par la requête ont cinq points décimaux : "25.00000,0.75000"

Sous-système CALibration

Pour une discussion détaillée sur les procédures d'étalonnage, voir [Procédures d'ajustement d'étalonnage](#).

CALibration:COUNT?

Renvoie le nombre de fois où l'instrument a enregistré les données d'étalonnage sous la forme d'un nombre entier signé, par exemple +21. Votre instrument a été calibré en usine ; lire et enregistrer le compte initial lorsque vous recevez l'instrument.

CALibration:CURRENT[:DATA][:HIGH] <value>

Entre une valeur de courant de sortie (en ampères) que vous avez obtenue en lisant un multimètre numérique. Vous devez d'abord sélectionner un niveau d'étalonnage (CAL:CURR:LEV) pour la valeur saisie. Cette commande ne peut être utilisée que lorsque l'étalonnage n'est pas sécurisé et que la sortie est activée.

CALibration:CURRENT[:DATA]:LOW <value>

Entre une valeur de courant de sortie (en ampères) que vous avez obtenue en lisant un multimètre numérique. Ceci est similaire à CALibration:CURRENT[:DATA][:HIGH], mais il n'est utilisé que pour l'étalonnage à petit courant. Cette commande ne peut être utilisée que lorsque l'étalonnage n'est pas sécurisé et que la sortie est activée.

CALibration:CURRENT:LEVEL[:HIGH] MINimum|MAXimum

Lance l'étalonnage pour un niveau de courant spécifique. L'étalonnage MINimum doit être effectué avant le MAXimum, et vous devez déverrouiller cet instrument pour utiliser cette commande.

CALibration:CURRENT:LEVEL:LOW MINimum|MAXimum

Lance un petit étalonnage de courant pour un niveau de courant spécifique. L'étalonnage MINimum doit être effectué avant le MAXimum, et vous devez déverrouiller cet instrument pour utiliser cette commande.

CALibration:STATE <state>,<code>

CALibration:STATE?

Non sécurisé ou sécurisé de l'alimentation avec le code de sécurité d'étalonnage de neuf chiffres maximum. La requête renvoie 1 (ON - non sécurisé pour l'étalonnage) ou 0 (OFF - sécurisé contre l'étalonnage).

- La requête ne renvoie que l'état ; il ne renvoie pas le mot de passe.
- Le code de sécurité n'est pas volatile et n'est pas modifié par un cycle d'alimentation ou *RST.
- Le panneau avant restreint l'utilisateur à entrer des codes de six chiffres maximum.
- Les codes d'accès par défaut sont 36102, 36103, 36104, 36105 et 36106.
- Exemple : Déverrouillez l'instrument pour activer l'étalonnage : CAL:STATE 1,36102

CALibration:STRing "<string>"
CALibration:STRing?

Enregistrez ou lisez jusqu'à 40 caractères d'informations sur l'étalonnage de l'instrument.

- Vous pouvez stocker toutes les informations relatives à l'étalonnage, telles que la date ou les coordonnées.
- L'alimentation ne doit pas être sécurisée avant d'envoyer un message d'étalonnage.
- Vous pouvez lire la chaîne, que l'approvisionnement soit sécurisé ou non.

CALibration:VOLTage[:DATA] <value>

Entrez une valeur de tension de sortie (en volts) que vous avez obtenue en lisant un multimètre numérique.

- Vous devez d'abord sélectionner un niveau d'étalonnage (CAL:CURR:LEV) pour la valeur saisie.
- Cette commande ne peut être utilisée que lorsque l'étalonnage n'est pas sécurisé et que la sortie est activée.

CALibration:VOLTage:LEVel MINimum|MAXimum

Lancez l'étalonnage pour un niveau de tension spécifique. Vous devez faire le calibrage MINimum avant le MAXimum, et cette commande ne peut être utilisée que lorsque le calibrage n'est pas sécurisé.

Sous-système CURRent

[SOURce:]CURRent[:LEVel][:IMMediate][:AMPLitude] <current> | MINimum | MAXimum | UP | DOWN
[SOURce:]CURRent[:LEVel][:IMMediate][:AMPLitude]? [MINimum | MAXimum]

Programme le niveau actuel immédiat de la sortie de l'instrument. Pour de plus amples informations, reportez-vous à la section [Plages de programmation](#).

Cette commande modifie immédiatement la sortie. Les paramètres UP et DOWN augmentent ou diminuent le courant immédiat de la quantité spécifiée par CURRent:STEP. Un réglage qui dépasse le courant nominal maximum ou minimum provoquera l'erreur -222 (Données hors limites).

[SOURce:]CURRent[:LEVel][:IMMediate]:STEP[:INCRement] <current> | DEFault
[SOURce:]CURRent[:LEVel][:IMMediate]:STEP[:INCRement]? [DEFault]

Définit la taille du pas pour la programmation actuelle avec les commandes COURANT HAUT et COURANT BAS. Cette demande retourne un numéro de caractères sous la forme +#.#####E+##.

[SOURce:]CURRent[:LEVel]:TRIGgered[:AMPLitude] <current> | MINimum | MAXimum
[SOURce:]CURRent[:LEVel]:TRIGgered[:AMPLitude]? [MINimum | MAXimum]

Définit le niveau de courant déclenché en ampères. Cette demande retourne un numéro de caractères sous la forme +#.#####E+##.

[SOURce:]CURRent:PROTection:CLEar

Efface un événement de protection contre les surintensités.

[SOURce:]CURRent:PROTection:DElay[:TIME] <time> | MINimum | MAXimum
[SOURce:]CURRent:PROTection:DElay[:TIME]? [MINimum | MAXimum]

Définit la durée (en millisecondes) pendant laquelle la protection contre les surintensités est temporairement désactivée après un changement de niveau de courant. Cette demande retourne un numéro de caractères sous la forme +#.#####E+##.

[SOURce:]CURRent:PROTection:STAtE ON|1|OFF|0
[SOURce:]CURRent:PROTection:STAtE?

Active ou désactive la protection contre les surintensités, ce qui fait passer l'instrument dans un état protégé lorsque l'état de l'alimentation est en mode courant constant. La requête renvoie 1 (ON) ou 0 (OFF).

[SOURce:]CURRent:PROTection:TRIPped?

Indique si une protection contre les surintensités s'est produite (1) ou non (0). Ceci est remis à 0 par CURRent:PROTection:CLEAr.

Sous-système DISPLAY

DISPlay[:WINDow]:TEXT:CLEAr

Efface le message affiché sur le panneau avant.

DISPlay[:WINDow]:TEXT[:DATA] "<string>"
DISPlay[:WINDow]:TEXT[:DATA]

Affiche un message comportant jusqu'à 12 caractères sur le panneau avant. Les caractères supplémentaires sont tronqués.

DISPlay[:WINDow][:STATe] ON | 1 | OFF | 0
DISPlay[:WINDow][:STATe]?

Éteint ou allume l'affichage. Lorsque l'écran est éteint, les sorties ne sont pas envoyées à l'écran et tous les indicateurs sauf ERROR sont désactivés. L'état d'affichage est automatiquement activé lorsque vous revenez au mode local. Appuyez et maintenez [Lock/Unlock] pendant quelques secondes pour revenir au mode local.

Sous-système IEEE-488

*CLS

Efface tous les registres d'événements, le registre d'octet d'état et la file d'attente des erreurs.

*ESE <enable value>

*ESE?

Active des bits dans le registre d'activation des événements standard. Les bits sélectionnés sont ensuite reportés dans l'octet d'état. La requête renvoie une valeur décimale correspondant à la somme pondérée binaire de tous les bits du registre. Tous les événements activés du registre d'activation des événements d'état d'événement standard sont logiquement OR pour que le bit de résumé d'événements (ESB) du registre d'octet d'état soit défini.

Registre d'activation de l'état des événements

Bit	Valeur	Nom	Description
0	1	OPC	Opération terminée
1	2	0	(réservé un usage futur).
2	4	QYE	Query error
3	8	DDE	Device-dependent error
4	16	EXE	Erreur d'exécution
5	32	CME	Erreur de commande
6	64	0	(réservé un usage futur).
7	128	PON	Power-on has occurred

*ESR?

Renvoie a valeur décimale de la somme pondérée correspondant au binaire de tous les bits dans le registre d'événements standard et efface le registre sur 0. La configuration des bits est identique à celle du registre d'activation d'état d'événement standard (voir *ESE).

*IDN?

Renvoie la chaîne d'identification de alimentation au format indiqué ci-dessous.

Keysight Technologies,E36102B,MY87654321,0.3.2-0.32

Les quatre champs séparés par des virgules sont le nom du fabricant, le numéro de modèle de l'instrument, le numéro de série de l'instrument et le code de révision.

*OPC
*OPC?

Définit le bit « Operation Complete » (opération terminée) (bit 0) du registre des événements standard après l'exécution de la commande. La requête renvoie 1 au tampon de sortie après l'exécution de la commande.

*OPT?

Renvoie le numéro d'option de l'instrument.

*PSC 0|1
*PSC?

(*Power-on status clear*) (Effacement état de mise sous tension) Active (1) ou désactive (0) l'effacement de l'octet d'état et le registre des événements standard active les masques lorsque l'alimentation est activée.

*RST

Réinitialise l'instrument à son état par défaut, mais ne supprime aucun des registres d'état ou la file d'attente des erreurs. Cela n'affecte pas non plus les conditions d'erreur d'interface.

Paramètre	Valeur par défaut
Délai d'OCP	50 ms
Niveau OVP	Maximum (varie selon le modèle)
Tension	0
Courant	Maximum (varie selon le modèle)
État du OCP	Off
État du OVP	Off
État de sortie	Off
Sens de relais	Interne

*RCL <state>

*SAV <state>

Enregistre (*SAV) l'état actuel de l'instrument ou rappelle (*RCL) un fichier d'état précédemment enregistré. Tous les emplacements de stockage d'état (0 à 9) sont non volatiles.

- Les paramètres stockés dans un fichier d'état sont les mêmes paramètres affectés par *RST.
- Les états ne sont pas affectés par la commande *RST.
- L'enregistrement d'un état écrase l'état précédent (le cas échéant) stocké dans cet emplacement.
- Lorsqu'ils sont expédiés depuis l'usine, les emplacements de stockage 0 à 9 sont vides.

*SRE <enable value>

*SRE?

Active les bits dans le registre d'activation d'octet d'état. La requête renvoie la valeur décimale correspondant à la somme pondérée binaire de tous les bits définis dans le registre.

*STB?

Renvoie le registre de résumé des octets d'état. Cela est similaire à l'interrogation série, mais traité comme une autre commande de l'instrument. La commande *STB? renvoie le même résultat qu'une interrogation série, mais le bit « Request Service » (Demander une service) (bit 6) n'est pas effacé en cas d'interrogation série.

*TRG

Génère un déclenchement d'événement sur le système de déclenchement lorsque le système de déclenchement dispose d'un déclenchement de BUS (logiciel) comme source de déclenchement (TRIG: SOUR BUS). Si le système de déclenchement n'est pas déclenché, la commande *TRG est simplement ignorée.

*TST?

Effectue un auto-test complet de l'alimentation et renvoie « 0 » (réussite) ou une valeur non nulle (échec). Si l'autotest échoue, un message d'erreur est également généré avec des informations supplémentaires expliquant pourquoi le test a échoué.

Les bits additionnés pour produire une valeur non nulle en cas d'échec d'un auto-test sont indiqués ci-dessous.

Bit	Valeur	Nom	Description
0	1		Statut EEPROM
1	2		Moniteur de tension pour +15 V
2	4		Échec de la détection du numéro de modèle
3	8	(non-utilisé)	(réservé un usage futur).
4	16	(non-utilisé)	(réservé un usage futur).
5	32		Échec ADC
6	64		Échec DAC
7	128	(non-utilisé)	(réservé un usage futur).

*WAI

Attend que toutes les opérations en cours soient terminées avant d'exécuter des commandes supplémentaires d'interface distante. Cette commande n'est utilisée que dans le mode déclenché pour attendre un déclenchement différé en attente.

Sous-système MEASure

MEASure:CURRent[:DC]?

Renvoie le courant de sortie CC détecté en ampères au format 1,23456789E+00.

MEASure[:VOLTage][:DC]?

Renvoie la tension de sortie CC détectée en volts au format 1,23456789E+00. Utilisez la commande [SOURce:]VOLTage:SENSe[:SOURce] pour spécifier si la tension utilise une détection interne ou externe (à distance).

Sous-système OUTPut

OUTPut[:STATe] ON | 1 | OFF | 0
OUTPut[:STATe]?

Active ou désactive la sortie de l'instrument. La requête renvoie 0 (OFF) ou 1 (ON). A *RST, l'état de la sortie est désactivé.

OUTPut:PROTection:CLEar

Efface le verrou qui désactive la sortie en raison d'une condition de surtension ou de surintensité. Vous devez effacer les conditions à l'origine de l'erreur avant d'exécuter cette commande. Vous pouvez ensuite restaurer la sortie dans l'état qui existait avant que la condition de défaut ne se produise.

OUTPut:PON:STATe RST|RCL0|RCL1|RCL2|RCL3|RCL4|RCL5|RCL6|RCL7|RCL8|RCL9|
OUTPut:PON:STATe?

Spécifie si l'état de mise sous tension de l'instrument est l'état *RST (par défaut) ou l'état stocké dans l'un des dix emplacements mémoire.

Sous-système STATus

STATus:OPERation:[EVENT]?

Renvoie une valeur décimale correspondant à la somme binaire pondérée des bits dans le registre d'événements du groupe Operation Status. Ce registre en lecture seule stocke (verrouille) tous les événements qui sont passés par le filtre Opération NTR et/ou PTR.

- La lecture du registre des événements d'état de fonctionnement l'efface.
- La commande *RST n'a pas d'effet sur ce registre.

STATus:OPERation:CONDition?

Renvoie une valeur décimale correspondant à la somme pondérée binaire des bits dans le registre de condition du groupe Operation Status. Ce registre en lecture seule contient l'état opérationnel en direct (déverrouillé) de l'instrument.

- La lecture du registre des événements d'état d'activation n'entraîne pas son effacement.
- La commande *RST efface ce registre, sauf les bits où la condition existe toujours après la commande *RST.

STATus:OPERation:ENABle <value>

Définit la valeur du registre d'activation du groupe État de fonctionnement. Le registre d'activation est un masque qui permet d'activer des bits spécifiques du registre des événements de fonctionnement pour activer le bit OPER (récapitulatif de l'exécution) du registre d'octet d'état.

- La fonction STATus:PRESet efface tous les bits du registre d'activation.
- La commande *CLS n'efface que le registre des événements, pas le registre d'activation.

STATus:PRESet

Définit tous les registres à leurs valeurs de mise sous tension.

STATus:QUESTionable:CONDition?

Renvoie une valeur décimale correspondant à la somme pondérée binaire des bits dans le registre de condition d'état douteux.

- Ce registre est un registre en lecture seule, qui contient l'état opérationnel en direct (déverrouillé) de l'instrument.
- La lecture du registre des événements d'état suspect n'entraîne pas son effacement.
- La commande *RST efface ce registre, sauf les bits où la condition existe toujours après la commande *RST

STATus:QUESTionable:ENABle <enable value>

STATus:QUESTionable:ENABle?

Active les bits dans le registre d'activation d'état douteux, qui est un masque permettant d'activer des bits spécifiques du registre d'événement d'opération pour définir le bit QUES (résumé douteux) du registre d'octet d'état. Les bits sélectionnés sont ensuite reportés dans l'octet d'état.

- La fonction STATus:PRESet efface tous les bits du registre d'activation.
- La commande *CLS n'efface que le registre des événements, pas le registre d'activation.

STATus:QUESTionable[:EVENT]?

Renvoie une valeur décimale correspondant à la somme pondérée binaire de tous les bits dans le registre d'événements d'état douteux.

- Ces bits sont verrouillés.
- La lecture du registre des événements l'efface, mais *RST n'a aucun effet sur ce registre.

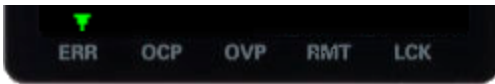
Sous-système SYSTem

SYSTem:COMMunicate:RLState LOCAL | REMote | RWLock
SYSTem:COMMunicate:RLState?

Place l'instrument en mode distant ou local. Le paramètre LOCAL est le même que SYSTem:LOCAL, le paramètre REMote est le même que SYSTem:REMote et le paramètre RWLock est le même que SYSTemRWLock. La requête renvoie LOC, REM, ou RWL.

SYSTem:ERRor[:NEXT]?

Interroge la file d'attente d'erreurs de l'alimentation. L'indicateur ERR du panneau avant signale la détection d'une ou plusieurs erreurs. La file d'attente des erreurs peut stocker jusqu'à 20 erreurs. Voir la rubrique [Messages d'erreur](#).



- Les erreurs se retrouvent dans un ordre de type FIFO (première entrée, première sortie). L'annonceur ERR se désactive après lecture de la dernière erreur.
- Si plus de 20 erreurs se sont produites, la dernière erreur stockée dans la file d'attente (l'erreur la plus récente) est remplacée par -350, « Queue overflow ». Aucune erreur supplémentaire n'est enregistrée tant que vous ne supprimez pas des erreurs de la file. Si aucune erreur ne s'est produite lors de la lecture de la file d'attente d'erreurs, l'alimentation indique +0, "No error" (aucune erreur).
- La file d'attente d'erreurs est effacée lorsque l'alimentation est coupée ou après qu'une commande *CLS (supprimer un état) a été exécutée. La commande *RST (réinitialisation) ne supprime pas la file d'attente d'erreurs.

SYSTem:LOCAL

Place l'alimentation en mode local. Toutes les touches du panneau avant sont entièrement fonctionnelles.

SYSTem:REMote

Place l'alimentation en mode distant pour un fonctionnement à distance. Lorsque l'unité est contrôlée à distance, l'alimentation passe automatiquement en mode distant. Vous pouvez faire passer l'instrument en mode local à l'aide de SYSTem:LOCAL ou en appuyant sur n'importe quelle touche du panneau avant.

SYSTem:RWLock

Place l'alimentation en mode distant. Cette commande est la même que SYSTem:REMOte, sauf que toutes les touches du panneau avant, à l'exception de la touche **[Lock/Unlock]** sont désactivées. Vous pouvez déverrouiller le panneau avant en maintenant enfoncée la touche **[Lock/Unlock]**. Cela fait passer l'instrument en mode local en même temps. Le panneau avant sera déverrouillé lorsque l'instrument passera en mode distant ou local.

SYSTem:SECurity:IMMediate

Efface et nettoie toute la mémoire utilisateur (états, informations LAN, etc.), généralement pour préparer l'instrument à être retiré d'une zone sécurisée. Les données d'identification de l'instrument (micrologiciel de l'instrument, numéro de modèle, numéro de série, adresse MAC et données d'étalonnage) ne sont pas effacées. Cette procédure n'est pas recommandée pour une utilisation de routine en raison de la possibilité de perte de données involontaire.

SYSTem:VERSion?

Renvoie la version SCPI sur laquelle le jeu de commandes de l'instrument est basé, qui est 2005.0.

Commandes de déclenchement

ABORt

Efface tout déclenchement retardé en attente et remet le système de déclenchement au repos. Si INIT:CONT est activé, le système de déclenchement est lancé en continu.

INITiate[:IMMEDIATE]

Provoquez le déclenchement du système de déclenchement. Lorsque le système de déclenchement est lancé, un événement sur la source de déclenchement spécifiée provoque l'action de déclenchement correspondante sur la sortie d'alimentation. Cette commande achève un cycle de déclenchement complet lorsque la source de déclenchement est IMMEDIATE ou lance le sous-système de déclenchement lorsque la source de déclenchement est BUS.

INITiate:CONTInuous ON | 1 | OFF | 0

INITiate:CONTInuous?

Active ou désactive l'initiation continue du système de déclenchement. S'il est désactivé, un INIT lance le système de déclenchement pour une seule action de déclenchement. S'il est activé, le système de déclenchement est lancé en continu et INIT est redondant. La requête renvoie 1 (ON) ou 0 (OFF).

*TRG

Génère un déclenchement d'événement sur le système de déclenchement lorsque le système de déclenchement dispose d'un déclenchement de BUS (logiciel) comme source de déclenchement (TRIG: SOUR BUS). Si le système de déclenchement n'est pas déclenché, la commande *TRG est simplement ignorée.

TRIGger[:SEQuence]:DELay <seconds> MINimum | MAXimum

TRIGger[:SEQuence]:DELay? [MINimum | MAXimum]

Définit le délai (en secondes, de 0 à 32,767) entre la détection d'un déclencheur de bus et le début de toute action de déclenchement correspondante sur la sortie d'alimentation. La valeur par défaut est 0 et la requête renvoie un nombre de la forme +#.#####E+##.

TRIGger[:SEQuence]:SOURce BUS | IMMEDIATE

TRIGger[:SEQuence]:SOURce?

Spécifie la source à partir de laquelle l'instrument accepte un déclencheur, soit un déclencheur de bus (logiciel) ou un déclencheur immédiat interne. À *RST, la source de déclenchement du bus est sélectionnée. Pour assurer la synchronisation lorsque la source du bus est sélectionnée, envoyez la commande *WAI (attente). Vous pouvez également utiliser la requête *OPC? (opération terminée) ou la commande *OPC pour indiquer quand l'opération est terminée. La requête renvoie BUS (attente d'une commande de déclenchement) ou IMM (déclenchement continu).

Sous-système VOLTage

[SOURce:]VOLTage[:LEVel][:IMMediate][:AMPLitude] <voltage>|MINimum|MAXimum|DEFault
[SOURce:]VOLTage[:LEVel][:IMMediate][:AMPLitude]? [MINimum | MAXimum]

Définit la tension de sortie en volts. La requête renvoie un nombre de la forme +#.#####E+##.

[SOURce:]VOLTage[:LEVel][:IMMediate]:STEP[:INCRement] <numeric value>|DEFault
[SOURce:]VOLTage[:LEVel][:IMMediate]:STEP[:INCRement]? [DEFault]

Définit la taille du pas pour la programmation de la tension avec les commandes VOLTage UP et VOLTage DOWN. Cette demande retourne un numéro de caractères sous la forme +#.#####E+##.

[SOURce:]VOLTage[:LEVel]:TRIGgered[:AMPLitude] <voltage>|MIN|MAX
[SOURce:]VOLTage[:LEVel]:TRIGgered[:AMPLitude]? [MIN|MAX]

Règle le niveau de tension déclenché en ampères. Cette demande retourne un numéro de caractères sous la forme +#.#####E+##.

[SOURce:]VOLTage:PROTection:CLEAr

Efface un événement de protection contre les surtensions.

[SOURce:]VOLTage:PROTection:STATe ON|1|OFF|0
[SOURce:]VOLTage:PROTection:STATe?

Active ou désactive la protection contre les surtensions, ce qui fait que l'instrument passe dans un état protégé lorsque l'alimentation dépasse le niveau de protection spécifié par VOLTage:PROTection[:LEVel]. La requête renvoie 1 (ON) ou 0 (OFF).

[SOURce:]VOLTage:PROTection:TRIPped?

Indique si une protection contre les surtensions s'est produite (1) ou non (0). Ceci est remis à 0 par VOLTage:PROTection:CLEAr.

[SOURce:]VOLTage:PROTection[:LEVel] <voltage>|MINimum | MAXimum[SOUR-
ce:]VOLTage:PROTection[:LEVel]? [MINimum|MAXimum]

Définit le niveau auquel la protection contre les surtensions se déclenche, en volts. Cette demande retourne un numéro de caractères sous la forme +#.#####E+##.

[SOURce:]VOLTage:SENSe[:SOURce] INTernal | EXTernal

Spécifie si l'instrument utilise la détection à distance ou locale. La requête renvoie 0 (INT) ou 1 (EXT).

Le réglage interne définit un relais dans l'alimentation pour connecter le connecteur de sortie et de détection. Cela signifie que seuls deux fils sont utilisés et que la télédétection est désactivée. Le paramètre externe fixe un relais dans l'alimentation pour déconnecter la sortie et les entrées de télédétection. Cela signifie que quatre fils sont utilisés et que la mesure à distance est activée. Le paramètre Interne affiche 2W dans le coin supérieur gauche de l'écran et le paramètre Externe affiche 4W dans le coin supérieur gauche.

3 Entretien et assistance

Entretien et réparation

Vérification des performances

Formulaires de relevé de test

Procédures d'ajustement d'étalonnage

Spécifications et caractéristiques générales

Ce chapitre décrit les informations de service pour les alimentations CC programmables de la série E36100B.

Entretien et réparation

Types de services proposés

Si votre instrument tombe en panne pendant la période de garantie, Keysight Technologies le répare ou le remplace conformément aux termes de votre garantie. À l'expiration de la garantie, Keysight propose des services de réparation à des prix compétitifs. Vous avez également la possibilité d'acheter un contrat de service qui prolonge la couverture après l'expiration de la garantie standard.

Obtention d'un service de dépannage (international)

Pour faire réparer votre instrument, contactez votre Centre de maintenance Keysight Technologies le plus proche. Nos services peuvent faire réparer ou remplacer l'instrument. Le cas échéant, ils peuvent vous indiquer les coûts d'une réparation ou d'une garantie. Demandez au Centre de maintenance Keysight Technologies les consignes d'expédition, y compris les composants à envoyer. Keysight recommande de conserver le carton d'emballage pour les expéditions de retour.

Reconditionnement pour un retour

Assurez-vous de ce qui suit pour expédier l'unité à Keysight pour entretien ou réparation :

- Fixez une étiquette identifiant le propriétaire et indiquant le service de maintenance ou de réparation nécessaire. Indiquez le numéro du modèle et le numéro de série complet de l'instrument.
- Placez l'appareil dans son emballage d'origine avec des matériaux d'emballage adéquats.
- Fermez l'emballage avec un ruban résistant ou des bandes métalliques.
- Si l'emballage d'origine n'est pas disponible, utilisez un emballage qui laisse un espace d'au moins 10 cm pour le matériau d'emballage compressible autour de l'ensemble de l'appareil. Utilisez des matériaux d'emballage antistatiques.

Keysight vous recommande de toujours assurer vos expéditions.

Nettoyage et manutention

Nettoyage

Pour prévenir toute électrocution, déconnectez l'instrument de l'alimentation secteur et tous les cordons de test avant de commencer le nettoyage. Nettoyez les parties externes de l'instrument à l'aide d'un chiffon doux non pelucheux légèrement humidifié avec de l'eau.

- N'utilisez pas de lessive ou de solvant.
- Ne tentez aucun nettoyage interne.

Si nécessaire, contactez un bureau de ventes et de service après-vente Keysight Technologies pour organiser un nettoyage approprié afin de garantir la préservation des caractéristiques de sécurité et de performance.

Précautions contre les décharges électrostatiques (ESD)

La plupart des composants électriques peuvent être endommagés par une décharge électrostatique durant leur manipulation. Ces décharges peuvent être très faibles (50 V). Elles sont suffisantes pour endommager un composant.

Les recommandations suivantes permettent d'éviter les dommages dus aux décharges électrostatiques (ESD) pendant les interventions de maintenance :

- Ne démontez l'instrument que dans une zone de travail antistatique.
- Utilisez une zone de travail conductrice pour réduire les charges statiques.
- Portez un bracelet conducteur pour éviter l'accumulation de charges statiques.
- Réduisez la manipulation au minimum.
- Conservez les pièces de rechange dans leur emballage antistatique d'origine.
- Débarrassez la zone de travail immédiate de tout plastique, mousse, vinyle, papier et autres matériaux producteurs d'électricité statique.

Dépannage

Avant de dépanner ou de réparer l'instrument, assurez-vous que la panne vient de l'instrument et non d'une connexion externe. Vérifiez également que l'instrument a été étalonné avec précision au cours de l'année précédente (voir la section [Procédure d'étalonnage > Intervalle d'étalonnage](#) Pour de plus amples informations).

Effectuez les vérifications suivantes si l'unité est inopérante :

- Vérifiez que le cordon d'alimentation secteur est connecté à l'alimentation.
- Vérifiez que l'interrupteur d'alimentation du panneau avant est enfoncé.
- Vérifiez que le fusible de la ligne électrique est installé :
 - Utilisez le fusible 2,0 AT, 250 V pour un fonctionnement à 100 ou 115 Vca.
 - Utilisez le fusible 1,0 AT, 250 V pour un fonctionnement en 230 Vca.
- Vérifiez la configuration de la tension secteur.
 - Reportez-vous à la section [Commencer > Options et informations sur les fusibles](#) pour de plus amples informations.

Procédures d'autotest

Un auto-test de mise sous tension se produit automatiquement lorsque vous allumez l'alimentation. Ce test limité vous assure que l'alimentation est opérationnelle.

L'auto-test complet de l'alimentation est activé en appuyant simultanément sur la touche Recall ou sur n'importe quelle touche du panneau avant, à l'exception de la touche Error et de l'interrupteur de la ligne d'alimentation. Continuez ensuite à appuyer sur la touche **Recall** pendant 5 secondes. Il faudra encore 2 secondes pour que l'autotest complet se termine.

Vous pouvez également effectuer un auto-test complet à partir de l'interface distante. Pour plus de détails reportez-vous au **Programmation SCPI**.

- Si l'autotest est réussi, le message « PASS » (Autotest réussi) est affiché sur le panneau avant.
- Si l'autotest échoue, le message « FAIL » (Autotest échoué) est affiché et l'indicateur ERROR s'allume. Enregistrez le code d'erreur et le message et contactez l'assistance Keysight si nécessaire.
- Si l'autotest réussit, cela indique une forte probabilité que la alimentation soit opérationnelle.

Pour remplacer le fusible - secteur

Le fusible de la ligne d'alimentation est situé dans l'ensemble porte-fusible de l'alimentation sur le panneau arrière, voir **Commencer > Options et informations sur les fusibles** pour plus d'informations. Pour un fonctionnement à 100 ou 115 Vca, vous devez utiliser un fusible temporisé de 2,0 AT. Pour un fonctionnement en 230 Vca, vous devez utiliser un fusible temporisé de 1,0 AT.

Pièces remplaçables par l'utilisateur

Vous pouvez trouver la liste des pièces de support de l'instrument dans le catalogue de pièces de test et de mesure de Keysight <http://www.keysight.com/find/parts>.

Vérification des performances

La vérification des performances garantit que l'instrument fonctionne conformément aux spécifications indiquées dans la fiche technique. Certaines spécifications sont incluses dans ce document et étaient exactes au moment de la publication, mais la dernière fiche technique du site Web de Keysight doit être consultée pour voir s'il y a eu des changements depuis la publication de ce document.

Équipement de test recommandé

L'équipement nécessaire aux tests de performances et aux procédures de réglage est répertorié ci-dessous. Si l'instrument exact n'est pas disponible, utilisez les exigences de précision indiquées pour sélectionner des normes d'étalonnage de remplacement.

Type	Spécification	Modèle recommandé
Multimètre numérique	Résultat : Précision CC de base à 6 1/2 chiffres : 0,0035%	Keysight 34401A ou matériel équivalent
Surveillance du courant	15 A (0.1 Ω), TC = 4 ppm/°C	Guildline 9230A-15R
Charge électronique	150 V, 5 A minimum, avec une capacité transitoire et une vitesse de balayage de 833 kA/s ou mieux.	Unité centrale Keysight N3300A, avec modules N330xA
LAN/ Contrôleur USB		PC avec Keysight Connection Expert chargé
Oscilloscope	Sensibilité : 1mV; Limite de bande passante: Sonde 20 MHz : 1:1 avec pointe RF	Keysight Infiniium/6054A ou matériel équivalent
Voltmètre efficace	Vrai RMS ; Bande passante : Sensibilité 20 MHz : 100 μ V	Modèle Rhode et Schwartz URE3 ou équivalent
Amplificateur différentiel	Bande passante : 20 MHz	LeCroy 1855A ou équivalent
Terminaisons	1 – Terminaison de 50 Ω BNC 2 – 50 Ω , résistances de terminaison de 1/8 W	
Transformateur de tension variable ou source CA	Réglable à la plage de tension d'entrée nominale la plus élevée. Puissance : 500 VA	Keysight 6813B ou matériel équivalent
Résistances d'étalonnage pour petit courant	300 Ω (E36102B) 1 W minimum 2.5 k Ω (E36103B) 1 W minimum 9 k Ω (E36104B) 1 W minimum 20 k Ω (E36105B) 1 W minimum 51 k Ω (E36106B) 1 W minimum	

Remarques relatives aux tests

- Assurez-vous que la température ambiante d'étalonnage est stable et comprise entre 20 °C et 30 °C.
- Assurez-vous que l'humidité ambiante relative est inférieure à 80 %.
- Prévoyez 1 heure de préchauffage avant de procéder à la vérification ou l'étalonnage.
- Maintenez les câbles les plus courts possibles et adaptés à l'impédance.

ATTENTION

Les tests doivent être effectués uniquement par du personnel qualifié. Pendant les tests de vérification des performances, des tensions dangereuses peuvent être présentes à la sortie de l'alimentation.

Techniques de mesure

Voltmètre

Pour vous assurer que les valeurs relevées par le voltmètre pendant les procédures de vérification et d'étalonnage ne sont pas affectées par la mesure instantanée des crêtes CA de l'ondulation de courant de sortie, effectuez plusieurs mesures CC et calculez leur moyenne.

Résistance de contrôle du courant

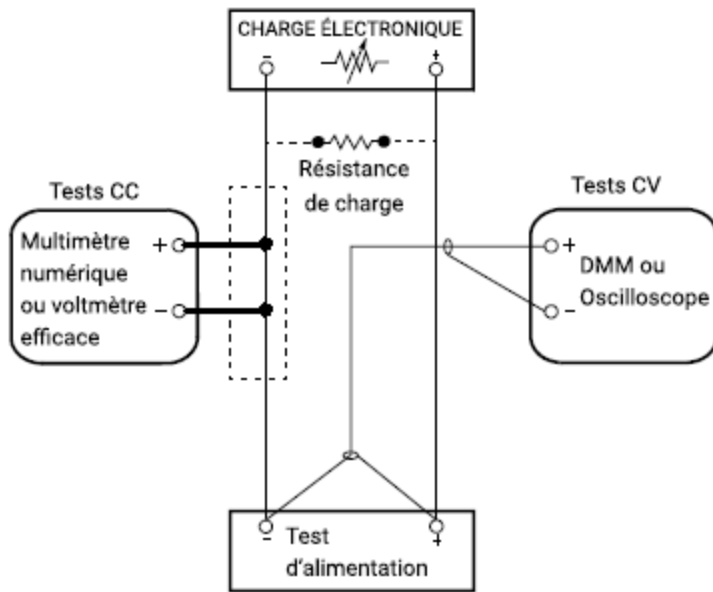
Le shunt de courant de 4 bornes permet d'éliminer les erreurs de mesure du courant de sortie provoquées par les chutes de tension dans les fils et les connexions de charge. Il inclut des bornes de contrôle de courant spéciales dans les bornes de connexion de charge. Branchez le voltmètre directement à ces bornes de contrôle du courant.

Charge électronique

La plupart des procédures de test exigent que vous utilisiez une charge variable capable de dissiper la puissance requise. Si vous utilisez une résistance variable, prévoyez des commutateurs pour brancher, débrancher ou court-circuiter cette dernière. Dans la plupart des tests, vous pouvez utiliser une charge électronique. La charge électronique est considérablement plus facile à utiliser que les résistances de charge. Toutefois, il est possible qu'elle ne soit pas suffisamment rapide pour tester le temps de récupération au transitoire et qu'elle soit trop bruyante pour les tests (PAR) de bruit.

Les résistances de charge fixes peuvent être utilisées à la place d'une charge variable, en adaptant sensiblement les procédures de test. Aussi, si vous utilisez des configurations de test assistées par ordinateur, les temps de stabilisation relativement courts (par rapport aux voltmètres des ordinateurs et du système) et les vitesses de balayage du système d'alimentation devront éventuellement être pris en compte. Vous pouvez utiliser des instructions d'attente dans le programme de test si le système de test est plus rapide que le système d'alimentation.

Configuration pour la plupart des tests



Cette configuration est utilisée pour la plupart des tests et nécessite la vérification du multimètre numérique, de la charge électronique et de l'alimentation. Certains fils sont également nécessaires pour la connexion entre les instruments. Un câble LAN ou USB est nécessaire pour relire les données. Le multimètre numérique mesure la sortie de l'alimentation et la charge électronique tire du courant de l'alimentation. La précision de la résistance de surveillance du courant doit être de 0,01 % ou mieux, ce qui doit inclure tous les effets d'auto-échauffement.

Vérification tension constante (CV)

Précision de programmation et de relecture de la tension

Ce test vérifie que les fonctions de programmation et de du LAN ou de l'USB de relecture de la tension sont conformes aux spécifications. Notez bien que les valeurs de Relecture via l'interface distante doivent être identiques à celles qui s'affichent sur le panneau avant, mais avec la résolution maximum.

1. Coupez l'alimentation électrique à l'aide du commutateur de ligne AC.
2. Connectez un DMM entre les bornes (+) et (-) de la sortie.
3. Si vous utilisez un ordinateur pour contrôler l'alimentation électrique, connectez un câble LAN ou USB de l'alimentation au PC.
4. Activez l'alimentation électrique à l'aide du commutateur de ligne AC.

Exactitude de programmation de la tension

Pas	Panneau avant	SCPI
5.	Définissez les paramètres de l'instrument comme décrit dans le formulaire d'enregistrement de test sous Programmation et relecture de tension . Voir Formulaires de relevé de test pour plus d'informations.	VOLT 6 ; CURR 5 (par exemple pour le E36102B, sortie 6 V, 5 A)
6.	Activez la sortie en appuyant sur la touche Output ON.	OUTP ON

7. L'état de sortie doit être CV et le courant de sortie doit être proche de zéro.
8. Enregistrez la tension mesurée par le DMM et vérifiez si elle se situe dans les limites calculées.

Précision de relecture de tension

Pas	Panneau avant	SCPI
9.		MEAS:VOLT? (par exemple pour le E36102B, sortie 6 V, 5 A)

10. Enregistrez la tension renvoyée par la requête de commande SCPI via Keysight Connection Expert et vérifiez si elle se situe dans les limites calculées.

Charge CV et régulation de ligne

Ces tests vérifient que la variation de tension due à la variation de charge ou de ligne est conforme aux spécifications.

Régulation de charge CV

Ce test mesure la variation de la tension de sortie résultant d'une modification du courant de sortie d'une charge pleine à une charge nulle.

1. Coupez l'alimentation électrique à l'aide du commutateur de ligne AC.
2. Connectez la sortie de l'alimentation avec un DMM et une charge électronique.
3. Si vous utilisez un PC pour contrôler l'alimentation électrique, connectez un câble LAN ou USB de l'alimentation au PC.
4. Activez l'alimentation électrique à l'aide du commutateur de ligne AC.
5. Réglez les paramètres d'alimentation comme décrit dans le formulaire d'enregistrement de test sous « Régulation de la charge CV ». Voir les **Formulaires de relevé de test** sous « Régulation de la charge CV » pour plus d'informations. Activez la fonction de sortie.
6. Faites fonctionner la charge électronique en mode courant constant et réglez son courant sur la valeur indiquée dans le formulaire d'enregistrement de test sous « Régulation de la charge CV ». Voir les **Formulaires de relevé de test** sous Description du test de « Régulation de la charge CV » pour plus de détails. Vérifiez que l'indicateur CV du panneau avant de l'alimentation électrique reste allumé. S'il passe à CC ou UNREG, réglez la charge de sorte que le courant de sortie chute légèrement jusqu'à ce que l'indicateur CV s'allume. Enregistrez la lecture de la tension de sortie sur le DMM comme V_{load} .
7. Faire fonctionner la charge électronique en mode ouvert (entrée désactivée). Enregistrez la lecture de la tension de sortie sur le DMM immédiatement comme V_{noload} .
8. Prenez la différence entre les lectures du DMM aux étapes 6 et 7, c'est-à-dire la régulation de la charge CV ($V_{load} - V_{noload}$). La différence des lectures pendant le changement immédiat doit être dans les limites de spécification.

Régulation sur CV-Ligne

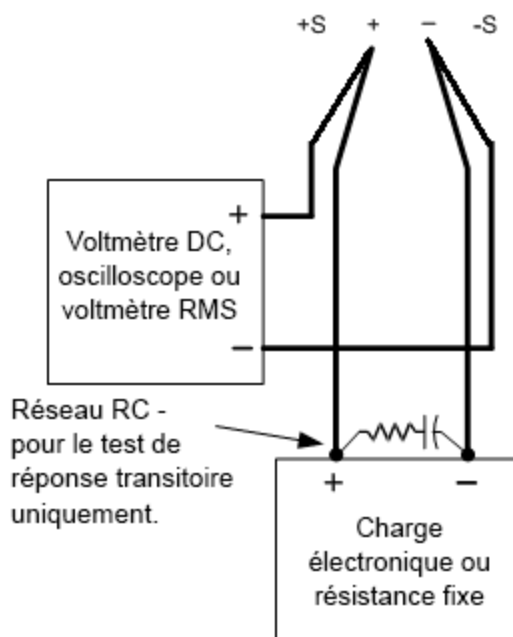
Ce test mesure le changement de tension de sortie qui résulte d'un changement de tension de ligne CA de la valeur minimale à la valeur maximale dans les spécifications de tension de ligne.

1. Coupez l'alimentation électrique à l'aide du commutateur de ligne AC.
2. Connectez la sortie de l'alimentation avec un DMM et une charge électronique.
3. Connectez une source CA variable ou un Variac à l'entrée CA, réglé sur une tension secteur appropriée pour la configuration de l'alimentation.
4. Si vous utilisez un PC pour contrôler l'alimentation électrique, connectez un câble LAN ou USB de l'alimentation au PC.
5. Activez l'alimentation électrique à l'aide du commutateur de ligne AC.
6. Réglez les paramètres d'alimentation comme décrit dans le formulaire d'enregistrement de test sous "Régulation de la ligne CV". Voir les **Formulaires de relevé de test** sous « Régulation de la ligne CV » pour plus d'informations. Activez la fonction de sortie.
7. Faites fonctionner la charge électronique en mode courant constant et réglez son courant sur la valeur indiquée dans le formulaire d'enregistrement de test sous « Régulation de la ligne CV ». Voir les **Formulaires de relevé de test** sous Description des tests de « Régulation de la ligne CV » pour plus d'informations. Vérifiez que l'indicateur CV du panneau avant de l'alimentation électrique reste allumé. S'il passe à CC ou UNREG, réglez la charge de sorte que le courant de sortie chute légèrement jusqu'à ce que l'indicateur CV s'allume.
8. Ajustez la source d'alimentation CA à la limite de tension de ligne basse (90 VCA pour 100 VCA nominal, 104 VCA pour 115 VCA nominal, 194 VCA pour 215 VCA nominal ou 207 VCA pour 230 VCA nominal). Enregistrez la lecture de sortie sur le DMM en tant que V_{lowline} .
9. Réglez la source d'alimentation CA sur une tension de ligne élevée (110 VCA pour 100 VCA nominaux, 127 VCA pour 115 VCA nominaux, 237 VCA pour 215 VCA nominaux ou 253 VCA pour 230 VCA nominaux). Enregistrez immédiatement la lecture de la tension sur le DMM en tant que V_{highline} .
10. Prenez la différence entre les lectures du DMM aux étapes 8 et 9, c'est-à-dire la régulation de la ligne CV ($V_{\text{lowline}} - V_{\text{highline}}$). La différence des lectures pendant le changement immédiat doit être dans la limite calculée à partir de la spécification.

Vérification de réponse transitoire

Ce test mesure le temps nécessaire à la récupération de la tension de sortie conformément à la valeur spécifiée suite à une variation de 50 % du courant de charge.

1. Coupez l'alimentation électrique à l'aide du commutateur de ligne AC.
2. Connectez un oscilloscope et une charge électronique entre les bornes (+) et (-) de la sortie à tester comme indiqué ci-dessous.



3. Si vous utilisez un PC pour contrôler l'alimentation électrique, connectez un câble LAN ou USB de l'alimentation au PC.
4. Activez l'alimentation électrique à l'aide du commutateur de ligne AC.
5. Définissez les paramètres de l'instrument comme décrit dans le formulaire d'enregistrement de test sous « Réponse transitoire ». Voir les **Formulaires de relevé de test** sous « Réponse transitoire » pour plus de détails. Activez la fonction de sortie.
6. Faites fonctionner la charge électronique en mode courant constant et réglez son courant sur la valeur indiquée dans le formulaire d'enregistrement de test sous « Réponse transitoire ». Voir les **Formulaires de relevé de test** sous Description des tests « Réponse transitoire » pour plus de détails. Réglez le niveau transitoire à la moitié du courant maximum. Réglez le rapport cyclique transitoire sur 50 % et la fréquence transitoire sur 1 kHz. Vérifiez que l'indicateur CV du panneau avant de l'alimentation électrique reste allumé. S'il passe à **CC** ou **UNREG**, réglez la charge de courant maximale de sorte que le courant de sortie chute légèrement jusqu'à ce que l'indicateur CV s'allume.
7. Configurez l'oscilloscope pour afficher des ondes transitoires, comme illustré ci-dessous. Notez que la largeur d'impulsion (t_2-t_1) du transitoire à la bande de stabilisation de la tension, par exemple 15 mV pour le E36102B à partir de la ligne de base, n'est pas supérieure à 50 ms.



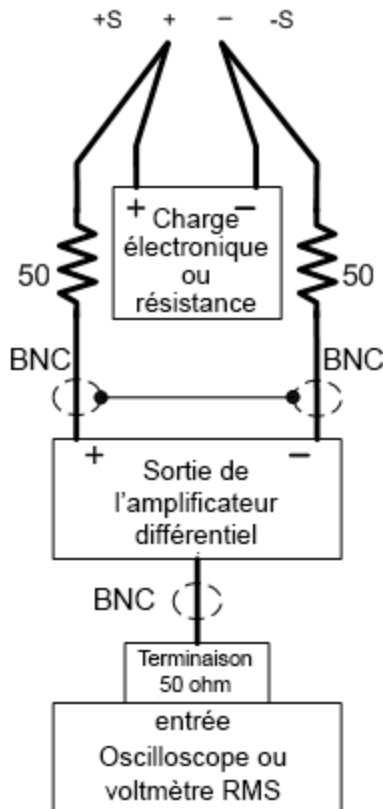
REMARQUE Les curseurs de l'oscilloscope X1 et X2 représentent t1 et t2.

8. La spécification de réponse transitoire est satisfaite lorsque la tension se rétablit dans les 50 μ s.

Vérification du bruit de sortie

Les écarts de sortie périodiques et aléatoires superposent une tension alternative résiduelle à la sortie CC. Cette tension résiduelle est spécifiée comme le bruit efficace ou crête à crête et est spécifiée dans la fiche technique du produit.

1. Coupez l'alimentation électrique à l'aide du commutateur de ligne AC.
2. Connectez une résistance de charge ou une charge électronique, un amplificateur différentiel et un oscilloscope (couplé CA) à la sortie comme indiqué ci-dessous.



3. Utilisez une résistance de charge appropriée (voir la liste **Équipement de test recommandé** pour la valeur de la résistance de charge) pour maintenir le système d'alimentation au réglage de l'instrument spécifié dans le formulaire d'enregistrement de test sous "Ondulation CV et bruit". Voir les **Formulaires de relevé de test** sous "Ondulation CV et bruit" pour plus de détails.
4. Comme indiqué sur la figure, utilisez deux câbles BNC pour connecter l'amplificateur différentiel aux bornes de sortie (+) et (-). Chaque câble doit être terminé par une résistance de 50 Ω. Les blindages des deux câbles BNC doivent être reliés ensemble. Connectez la sortie de l'amplificateur différentiel à l'oscilloscope avec une terminaison de 50 Ω à l'entrée de l'oscilloscope.
5. Configurez l'amplificateur différentiel pour une multiplication par dix, une division par un et une résistance d'entrée de 1 MΩ. Réglez les entrées positives et négatives de l'amplificateur différentiel sur le couplage CA. Réglez la base de temps de l'oscilloscope sur 5 ms/div et l'échelle verticale sur 10 mV/div. Activez la limite de bande passante (généralement 20 ou 30 MHz) et réglez le mode d'échantillonnage sur détection de crête.

6. Programmez l'alimentation électrique sur les paramètres indiqués dans le formulaire d'enregistrement de test pour le modèle approprié sous "Ondulation CV et bruit" voir les **Formulaires de relevé de test** sous Description du test de "Ondulation CV et bruit" pour plus de détails et activez la sortie. Laissez l'oscilloscope fonctionner pendant quelques secondes pour générer une quantité suffisante de points de mesure. Sur l'oscilloscope Keysight Infiniium, la mesure de tension crête à crête maximale est indiquée dans la partie inférieure droite de l'écran. Divisez cette valeur par 10 pour obtenir la mesure du bruit crête à crête CV. Le résultat ne doit pas dépasser les limites supérieures crête-à-crête pour "Ondulation CV et Bruit, crête-à-crête" de l'instrument. Voir les **Formulaires de relevé de test** sous "Ondulation CV et bruit" pour plus de détails.
7. Débranchez l'oscilloscope et branchez à la place un voltmètre efficace. Ne déconnectez pas la terminaison de 50Ω . Divisez la lecture du voltmètre efficace par 10. Le résultat ne doit pas dépasser les limites crête à crête dans le formulaire de relevé de test du modèle souhaité, sous "Ondulation et bruit CV, rms". Voir les **Formulaires de relevé de test** sous "Ondulation CV et bruit" pour plus de détails.

Vérification courant constant (CC)

Précision de programmation et de relecture du courant

Ces tests vérifient que la programmation actuelle et les fonctions de mesure de relecture LAN ou USB sont conformes aux spécifications. Notez bien que les valeurs de Relecture via l'interface distante doivent être identiques à celles qui s'affichent sur le panneau avant, mais avec la résolution maximum.

1. Coupez l'alimentation électrique à l'aide du commutateur de ligne AC.
2. Connectez le shunt de courant directement sur les bornes de sortie. Branchez le multimètre numérique directement au shunt de courant.
3. Si vous utilisez un PC pour contrôler l'alimentation électrique, connectez un câble LAN ou USB de l'alimentation au PC.
4. Activez l'alimentation électrique à l'aide du commutateur de ligne AC.

Précision de programmation du courant

Pas	Panneau avant	SCPI
5.	Définissez les paramètres de l'instrument comme décrit dans le formulaire d'enregistrement de test sous Programmation actuelle et relecture . Voir Formulaires de relevé de test pour plus d'informations.	VOLT 6 ; CURR 5 (par exemple pour le E36102B, sortie 6 V, 5 A)
6.	Activez la sortie en appuyant sur la touche Output ON.	OUTP ON
7.	L'état de la sortie doit être CC et la tension de sortie doit être proche de zéro.	
8.	Divisez la chute de tension (mesure du multimètre numérique) au shunt de courant par la résistance de shuntage pour convertir la mesure en ampères.	
9.	Enregistrez le courant mesuré par le DMM et vérifiez s'il est dans les limites calculées.	

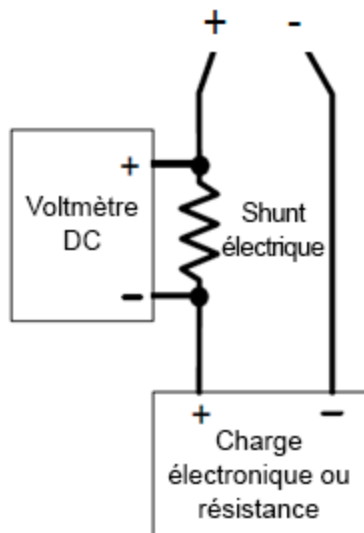
Précision de la relecture du courant

Pas	Panneau avant	SCPI
10.		MEAS:CURR? (par exemple pour le E36102B, sortie 6 V, 5 A)
11.	Enregistrez le courant renvoyé par la requête de la commande SCPI via Keysight Connection Expert et vérifiez s'il se situe dans les limites calculées.	

Régulation de charge CC

Ce test mesure la variation du courant de sortie résultant d'une modification de la tension de sortie d'une pleine échelle à un court-circuit.

1. Coupez l'alimentation électrique à l'aide du commutateur de ligne AC.
2. Connectez la sortie de l'alimentation avec un DMM, une charge électronique et un shunt de courant comme indiqué ci-dessous.



3. Activez l'alimentation électrique à l'aide du commutateur de ligne AC.
4. Programmez la tension de sortie et le courant de sortie comme décrit dans le formulaire d'enregistrement de test sous Régulation de charge CC.
5. Activez la sortie en envoyant la commande OUP ON ou en appuyant sur la touche Output ON.
6. Faites fonctionner la charge électronique en mode tension constante et réglez sa tension sur la valeur de sortie de l'alimentation comme décrit dans le formulaire d'enregistrement de test sous « Régulation de charge CC ». Voir les **Formulaires de relevé de test** sous Description du test de « Régulation de la charge CC » pour plus de détails. Vérifiez que l'indicateur CC du panneau avant de l'alimentation électrique reste allumé. S'il passe à CV ou UNREG, réglez la charge de sorte que le courant de sortie chute légèrement jusqu'à ce que l'indicateur CC s'allume. Enregistrez la lecture de courant (I_{load}), en divisant la lecture de tension sur le DMM par la résistance de la résistance de surveillance de courant.
7. Faites fonctionner la charge électronique en mode court (entrée courte). Enregistrez la lecture de courant, (I_{short}), en divisant la lecture de tension sur le DMM par la résistance de la résistance de surveillance de courant.
8. Prendre la différence entre les lectures de courant aux étapes 6 et 7 est le courant de régulation de charge ($I_{load} - I_{short}$). La différence des lectures pendant le changement immédiat doit être dans les limites de spécification.

Régulation sur ligne CC

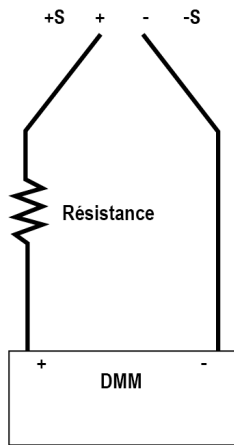
1. Coupez l'alimentation électrique à l'aide du commutateur de ligne AC.
2. Connectez la sortie de l'alimentation avec un DMM, une charge électronique et un shunt de courant. Voir **Équipement de test recommandé** pour plus de détails.
3. Connectez le cordon d'alimentation CA du bloc d'alimentation à la source d'alimentation CA.
4. Activez l'alimentation électrique à l'aide du commutateur de ligne AC.
5. Programmez la tension de sortie et le courant de sortie comme décrit dans le formulaire d'enregistrement de test sous la régulation de la ligne CC.
6. Faites fonctionner la charge électronique en mode tension constante et réglez sa tension sur la valeur de sortie de l'alimentation comme décrit dans le formulaire d'enregistrement de test sous « Régulation sur ligne CC ». Voir les **Formulaires de relevé de test** sous Description des tests de « Régulation de la ligne CC » pour plus d'informations. Vérifiez que l'indicateur CC du panneau avant de l'alimentation électrique reste allumé. S'il passe à CV ou UNREG, réglez la charge de sorte que le courant de sortie chute légèrement jusqu'à ce que l'indicateur CC s'allume.
7. Ajustez la source d'alimentation CA à la limite de tension de ligne basse (90 VCA pour 100 VCA nominal, 104 VCA pour 115 VCA nominal, 194 VCA pour 215 VCA nominal ou 207 VCA pour 230 VCA nominal). Enregistrez la lecture du courant de sortie (I_{lowline}) en divisant la lecture de la tension sur le DMM par la résistance de la résistance de surveillance du courant.
8. Réglez la source d'alimentation CA sur une tension de ligne élevée (110 VCA pour 100 VCA nominaux, 127 VCA pour 115 VCA nominaux, 237 VCA pour 215 VCA nominaux ou 253 VCA pour 230 VCA nominaux). Enregistrez à nouveau immédiatement la lecture de courant (I_{highline}) en divisant la lecture de tension sur le DMM par la résistance de la résistance de surveillance du courant.
9. Prendre la différence entre les lectures du DMM aux étapes 7 et 8 est la régulation de la ligne CC ($I_{\text{lowline}} - I_{\text{highline}}$). La différence des lectures pendant le changement immédiat doit être dans les limites de spécification.

Vérification de courant de plage basse

Programmation de courant bas de gamme et précision de relecture

Ces tests vérifient que la programmation actuelle et les fonctions de mesure de relecture LAN ou USB sont conformes aux spécifications. Notez bien que les valeurs de Relecture via l'interface distante doivent être identiques à celles qui s'affichent sur le panneau avant, mais avec la résolution maximum.

1. Coupez l'alimentation électrique à l'aide du commutateur de ligne AC.
2. Connectez un DMM entre les bornes (+) et (-) de la sortie.
3. Connectez la résistance appropriée en série avec les bornes (+) de l'alimentation et les bornes (+) du DMM comme indiqué ci-dessous.



4. Si vous utilisez un PC pour contrôler l'alimentation électrique, connectez un câble LAN ou USB de l'alimentation au PC.
5. Activez l'alimentation électrique à l'aide du commutateur de ligne AC.

Précision de programmation de courant à faible portée

Pas	Panneau avant	SCPI
6.	Réglez les paramètres de l'instrument comme décrit dans le formulaire d'enregistrement de test sous Relecture de courant de plage basse, courant de plage basse maximum (I_{lowmax})^a . Voir Formulaires de relevé de test pour plus d'informations. <small>[a] Le courant réglé lors de l'exécution de la vérification de la relecture du courant de plage basse doit doubler (par exemple, doubler 0,02 A à 0,04 A), pour garantir que l'état de sortie passe à CV,</small>	VOLT 6; CURR 0.04 Ceci est un exemple pour la sortie E36102B, 6 V, 20 mA.
7.	Activez la sortie en appuyant sur la touche Output ON.	OUTP ON
8.	L'état de la sortie doit être CV et le courant de sortie doit être proche du courant ciblé (20 mA pour la sortie E36102B, 6 V, 20 mA).	
9.	Enregistrer le courant mesuré par le DMM et le courant renvoyé par le SCPI MEAS:CURRE? requête de commande via Keysight Connection Expert et vérifiez si elle est dans les limites calculées.	MEAS:CURRE? Ceci est un exemple pour la sortie E36102B, 6V, 20mA.

Formulaires de relevé de test

Formulaires de relevé de test - Keysight E36102B

Formulaires de relevé de test - Keysight E36103B

Formulaires de relevé de test - Keysight E36104B

Formulaires de relevé de test - Keysight E36105B

Formulaires de relevé de test - Keysight E36106B

Formulaires de relevé de test - Keysight E36102B

E36102B	Numéro de rapport _____	Date _____		
Description	Limite inférieure	Résultat	Limite supérieure	
Tests de tension constante				
Programmation de tension				
Tension de sortie nulle (V_0)	-0,003 V	_____	0,003 V	
Tension de sortie Maximum (V_{max})	5,994 V	_____	6,006 V	
Relecture de tension				
Tension nulle mesurée sur l'interface	$V_0 - 0.003$ V	_____	$V_0 + 0.003$ V	
Tension maximale mesurée sur l'interface	$V_{max} - 0.006$ V	_____	$V_{max} + 0.006$ V	
Régulation de la charge CV ($V_{load} - V_{noload}$)	-2,6 mV	_____	2,6 mV	
Régulation de ligne CV ($V_{lowline} - V_{highline}$)	-1,6 mV	_____	1,6 mV	
Ondulation et bruit CV				
Crête à crête	-	_____	8 mV	
Valeur efficace	-	_____	350 μ V	
Réponse transitoire	-	_____	50 μ s	
Tests de courant constant				
Programmation correcte				
Sortie de courant zéro (I_0)	0,044975 A	_____	0,055025 A	
Courant de sortie maximal (I_{max})	4,9925 A	_____	5,0075 A	
Relecture de courant				
Courant zéro mesuré sur l'interface	$I_0 - 0.004025$ A	_____	$I_0 + 0.004025$ A	
Courant maximal mesuré sur l'interface	$I_{max} - 0.0065$ A	_____	$I_{max} + 0.0065$ A	
Régulation de charge CC ($I_{load} - I_{short}$)	-1250 μ A	_____	1250 μ A	
Régulation de ligne CC ($I_{lowline} - I_{highline}$)	-1250 μ A	_____	1250 μ A	
Test de courant à faible portée				
Courant maximal de plage basse mesuré sur l'interface	$I_{low\ max} - 90$ μ A	_____	$I_{low\ max} + 90$ μ A	

Description du test	Paramètres de l'instrument	
Programmation et relecture de tension, tension nulle (V_0)	0 V	5 A
Programmation et relecture de tension, tension maximale (V_{max})	6 V	5 A
Régulation de charge CV, régulation de ligne, ondulation et bruit	6 V	5 A
Réponse transitoire	6 V	2.5 A à 5 A
Programmation et relecture de courant, courant zéro (I_0)	0,05 A	6 V
Programmation et relecture de courant, courant maximum (I_{max})	5 A	6 V
Régulation de charge CC, régulation de ligne, ondulation et bruit	5 A	6 V
Relecture de courant de plage basse, courant de plage basse maximum (I_{lowmax}) [a]	0,04 A	6 V

[a] L'ensemble de courant doit doubler lors de l'exécution de la vérification de relecture du courant de plage basse pour garantir que l'état de sortie passe à CV. Le courant maximum de la plage basse du E36102B est de 0,02 A, le courant doit être réglé sur 0,04 A.

Formulaires de relevé de test - Keysight E36103B

E36103B	Numéro de rapport _____	Date _____		
Description	Limite inférieure	Résultat	Limite supérieure	
Tests de tension constante				
Programmation de tension				
Tension de sortie nulle (V_0)	-0,008 V	_____	0,008 V	
Tension de sortie Maximum (V_{max})	-19,982 V	_____	20,018 V	
Relecture de tension				
Tension nulle mesurée sur l'interface	$V_0 - 0.005 V$	_____	$V_0 + 0.005 V$	
Tension maximale mesurée sur l'interface	$V_{max} - 0.015 V$	_____	$V_{max} + 0.015 V$	
Régulation de la charge CV ($V_{load} - V_{noload}$)	-5 mV	_____	5 mV	
Régulation de ligne CV ($V_{lowline} - V_{highline}$)	-4 mV	_____	4 mV	
Ondulation et bruit CV				
Crête à crête	-	_____	15 mV	
Valeur efficace	-	_____	0,8 mV	
Réponse transitoire	-	_____	50 μ s	
Tests de courant constant				
Programmation correcte				
Sortie de courant zéro (I_0)	0,018990 A	_____	0,021010 A	
Courant de sortie maximal (I_{max})	1,998 A	_____	2,002 A	
Relecture de courant				
Courant zéro mesuré sur l'interface	$I_0 - 0.001010 A$	_____	$I_0 + 0.001010 A$	
Courant maximal mesuré sur l'interface	$I_{max} - 0.002 A$	_____	$I_{max} + 0.002 A$	
Régulation de charge CC ($I_{load} - I_{short}$)	-500 μ A	_____	500 μ A	
Régulation de ligne CC ($I_{lowline} - I_{highline}$)	-500 μ A	_____	500 μ A	
Test de courant à faible portée				
Courant maximal de plage basse mesuré sur l'interface	$I_{low max} - 60 \mu A$	_____	$I_{low max} + 60 \mu A$	

Description du test	Paramètres de l'instrument	
Programmation et relecture de tension, tension nulle (V_0)	0 V	2 A
Programmation et relecture de tension, tension maximale (V_{max})	20 V	2 A
Régulation de charge CV, régulation de ligne, ondulation et bruit	20 V	2 A
Réponse transitoire	20 V	1 A à 2 A
Programmation et relecture de courant, courant zéro (I_0)	0,02 A	20 V
Programmation et relecture de courant, courant maximum (I_{max})	2 A	20 V
Régulation de charge CC, régulation de ligne, ondulation et bruit	2 A	20 V
Relecture de courant de plage basse, courant de plage basse maximum (I_{lowmax}) [a]	0,016 A	20 V

[a] L'ensemble de courant doit doubler lors de l'exécution de la vérification de relecture du courant de plage basse pour garantir que l'état de sortie passe à CV. Le courant maximum de la plage basse du E36103B est de 0,008 A, le courant doit être réglé sur 0,016 A.

Formulaires de relevé de test - Keysight E36104B

E36104B	Numéro de rapport _____	Date _____	
Description	Limite inférieure	Résultat	Limite supérieure
Tests de tension constante			
Programmation de tension			
Tension de sortie nulle (V_0)	-0,012 V	_____	0,012 V
Tension de sortie Maximum (V_{max})	34,9705 V	_____	35,0295 V
Relecture de tension			
Tension nulle mesurée sur l'interface	$V_0 - 0.008$ V	_____	$V_0 + 0.008$ V
Tension maximale mesurée sur l'interface	$V_{max} - 0.0255$ V	_____	$V_{max} + 0.0255$ V
Régulation de la charge CV ($V_{load} - V_{noload}$)	-9,5 mV	_____	9,5 mV
Régulation de ligne CV ($V_{lowline} - V_{highline}$)	-7,5 mV	_____	7,5 mV
Ondulation et bruit CV			
Crête à crête	-	_____	20 mV
Valeur efficace	-	_____	1,2 mV
Réponse transitoire	-	_____	50 μ s
Tests de courant constant			
Programmation correcte			
Sortie de courant zéro (I_0)	0,009395 A	_____	0,010605 A
Courant de sortie maximal (I_{max})	0,9989 A	_____	1,0011 A
Relecture de courant			
Courant zéro mesuré sur l'interface	$I_0 - 0.000505$ A	_____	$I_0 + 0.000505$ A
Courant maximal mesuré sur l'interface	$I_{max} - 0.001$ A	_____	$I_{max} + 0.001$ A
Régulation de charge CC ($I_{load} - I_{short}$)	-250 μ A	_____	250 μ A
Régulation de ligne CC ($I_{lowline} - I_{highline}$)	-250 μ A	_____	250 μ A
Test de courant à faible portée			
Courant maximal de plage basse mesuré sur l'interface	$I_{low\ max} - 50$ μ A	_____	$I_{low\ max} + 50$ μ A

Description du test	Paramètres de l'instrument	
Programmation et relecture de tension, tension nulle (V_0)	0 V	1 A
Programmation et relecture de tension, tension maximale (V_{max})	35 V	1 A
Régulation de charge CV, régulation de ligne, ondulation et bruit	35 V	1 A
Réponse transitoire	35 V	0,5 A à 1 A
Programmation et relecture de courant, courant zéro (I_0)	0,01 A	35 V
Programmation et relecture de courant, courant maximum (I_{max})	1 A	35 V
Régulation de charge CC, régulation de ligne, ondulation et bruit	1 A	35 V
Relecture de courant de plage basse, courant de plage basse maximum (I_{lowmax}) [a]	0,008 A	35 V

[a] La valeur de consigne de courant doit être doublée du courant de sortie pour assurer le passage de l'état de sortie en mode CV. Maximum Low Range Current of E36104B is 0.004 A, the Current need to set as 0.008 A.

Formulaires de relevé de test - Keysight E36105B

E36105B	Numéro de rapport _____	Date _____	
Description	Limite inférieure	Résultat	Limite supérieure
Tests de tension constante			
Programmation de tension			
Tension de sortie nulle (V_0)	-0,02 V	_____	0,02 V
Tension de sortie Maximum (V_{max})	59.95 v	_____	60,05 V
Relecture de tension			
Tension nulle mesurée sur l'interface	$V_0 - 0.012 V$	_____	$V_0 + 0.012 V$
Tension maximale mesurée sur l'interface	$V_{max} - 0.042 V$	_____	$V_{max} + 0.042 V$
Régulation de la charge CV ($V_{load} - V_{noload}$)	-16 mV	_____	16 mV
Régulation de ligne CV ($V_{lowline} - V_{highline}$)	-13 mV	_____	13 mV
Ondulation et bruit CV			
Crête à crête	-	_____	30 mV
Valeur efficace	-	_____	1,55 mV
Réponse transitoire	-	_____	50 μs
Tests de courant constant			
Programmation correcte			
Sortie de courant zéro (I_0)	0,005597 A	_____	0,006403 A
Courant de sortie maximal (I_{max})	0,5993 A	_____	0,6007 A
Relecture de courant			
Courant zéro mesuré sur l'interface	$I_0 - 0.000303 A$	_____	$I_0 + 0.000303 A$
Courant maximal mesuré sur l'interface	$I_{max} - 0.0006 A$	_____	$I_{max} + 0.0006 A$
Régulation de charge CC ($I_{load} - I_{short}$)	-150 μA	_____	150 μA
Régulation de ligne CC ($I_{lowline} - I_{highline}$)	-150 μA	_____	150 μA
Test de courant à faible portée			
Courant maximal de plage basse mesuré sur l'interface	$I_{low max} - 47,5 \mu A$	_____	$I_{low max} + 47,5 \mu A$

Description du test	Paramètres de l'instrument	
Programmation et relecture de tension, tension nulle (V_0)	0 V	0,6 A
Programmation et relecture de tension, tension maximale (V_{max})	60 V	0,6 A
Régulation de charge CV, régulation de ligne, ondulation et bruit	60 V	0,6 A
Réponse transitoire	60 V	0,3 A à 0,6 A
Programmation et relecture de courant, courant zéro (I_0)	0,006 A	60 V
Programmation et relecture de courant, courant maximum (I_{max})	0,6 A	60 V
Régulation de charge CC, régulation de ligne, ondulation et bruit	0,6 A	60 V
Relecture de courant de plage basse, courant de plage basse maximum (I_{lowmax}) ^[a]	0,006 A	60 V

[a] L'ensemble de courant doit doubler lors de l'exécution de la vérification de relecture du courant de plage basse pour garantir que l'état de sortie passe à CV. Le courant maximum de la gamme basse du E36105B est de 0,003 A, le courant doit être défini sur 0,006 A.

Formulaires de relevé de test - Keysight E36106B

E36106B	Numéro de rapport _____	Date _____		
Description	Limite inférieure	Résultat	Limite supérieure	
Tests de tension constante				
Programmation de tension				
Tension de sortie nulle (V_0)	-0,04 V	_____	0,04 V	
Tension de sortie Maximum (V_{max})	99,91 V	_____	100,09 V	
Relecture de tension				
Tension nulle mesurée sur l'interface	$V_0 - 0.02$ V	_____	$V_0 + 0.02$ V	
Tension maximale mesurée sur l'interface	$V_{max} - 0.07$ V	_____	$V_{max} + 0.07$ V	
Régulation de la charge CV ($V_{load} - V_{noload}$)	-30 mV	_____	30 mV	
Régulation de ligne CV ($V_{lowline} - V_{highline}$)	-22 mV	_____	22 mV	
Ondulation et bruit CV				
Crête à crête	-	_____	40 mV	
Valeur efficace	-	_____	2,5 mV	
Réponse transitoire	-	_____	50 μ s	
Tests de courant constant				
Programmation correcte				
Sortie de courant zéro (I_0)	0,003698 A	_____	0,004302 A	
Courant de sortie maximal (I_{max})	0,3995 A	_____	0,4005 A	
Relecture de courant				
Courant zéro mesuré sur l'interface	$I_0 - 0.000202$ A	_____	$I_0 + 0.000202$ A	
Courant maximal mesuré sur l'interface	$I_{max} - 0.0004$ A	_____	$I_{max} + 0.0004$ A	
Régulation de charge CC ($I_{load} - I_{short}$)	-100 μ A	_____	100 μ A	
Régulation de ligne CC ($I_{lowline} - I_{highline}$)	-100 μ A	_____	100 μ A	
Test de courant à faible portée				
Courant maximal de plage basse mesuré sur l'interface	$I_{low\ max} - 45$ μ A	_____	$I_{low\ max} + 45$ μ A	

Description du test	Paramètres de l'instrument	
Programmation et relecture de tension, tension nulle (V_0)	0 V	0,4 A
Programmation et relecture de tension, tension maximale (V_{max})	100 V	0,4 A
Régulation de charge CV, régulation de ligne, ondulation et bruit	100 V	0,4 A
Réponse transitoire	100 V	0,2 A à 0,4 A
Programmation et relecture de courant, courant zéro (I_0)	0,004 A	100 V
Programmation et relecture de courant, courant maximum (I_{max})	0,4 A	100 V
Régulation de charge CC, régulation de ligne, ondulation et bruit	0,4 A	100 V
Relecture de courant de plage basse, courant de plage basse maximum (I_{lowmax}) ^[a]	0,004 A	100 V

[a] L'ensemble de courant doit doubler lors de l'exécution de la vérification de relecture du courant de plage basse pour garantir que l'état de sortie passe à CV. Le courant maximum de la plage basse du E36106B est de 0,002 A, le courant doit être défini sur 0,004 A.

Procédures d'ajustement d'étalonnage

Ce chapitre comprend les procédures de réglage de l'étalonnage pour les alimentations Keysight série E36100B. Les instructions s'appliquent à l'exécution des procédures à partir du panneau avant ou d'un contrôleur via le réseau local ou USB.

REMARQUE Effectuez les tests de vérification avant d'étalonner votre instrument. Si le bloc instrument réussit les tests de vérification, l'appareil fonctionne dans ses limites d'étalonnage et n'a pas besoin d'être réétalonné.

Etalonnage électronique– boîtier fermé

L'instrument utilise une méthode d'étalonnage électronique en boîtier fermé ; aucun réglage mécanique interne n'est nécessaire. L'instrument calcule les facteurs de correction sur la base des signaux de référence que vous appliquez et stocke les facteurs de correction dans une mémoire non volatile. Ces données ne sont pas modifiées par un cycle d'alimentation, *RST ou SYSTem:PRESet.

Périodicité de l'étalonnage

L'intervalle d'étalonnage recommandé pour les alimentations Keysight série E36100B est d'un an.

Procédure de réglage d'étalonnage

La procédure suivante constitue la recommandée pour réaliser un réglage complet de l'étalonnage.

1. Respectez les considérations de test. Pour plus d'informations, reportez-vous à la section **Vérification de performance > Considérations de test**.
2. Effectuez les tests de vérification des performances pour caractériser l'instrument. Pour plus d'informations, reportez-vous à la section **Vérification de performance**.
3. Déverrouillez l'instrument pour l'étalonner. Pour plus d'informations, reportez-vous à la section **Sécurité d'étalonnage**.
4. Exécutez les procédures d'étalonnage. Pour plus d'informations, reportez-vous à la section **Procédure d'étalonnage**.
5. Fixez l'instrument contre l'étalonnage. Pour plus d'informations, reportez-vous à la section **Sécurité d'étalonnage**.
6. Notez le code de sécurité et le nombre d'étalonnages dans les dossiers de maintenance de l'instrument.
7. Effectuez les tests de vérification des performances pour vérifier l'étalonnage.

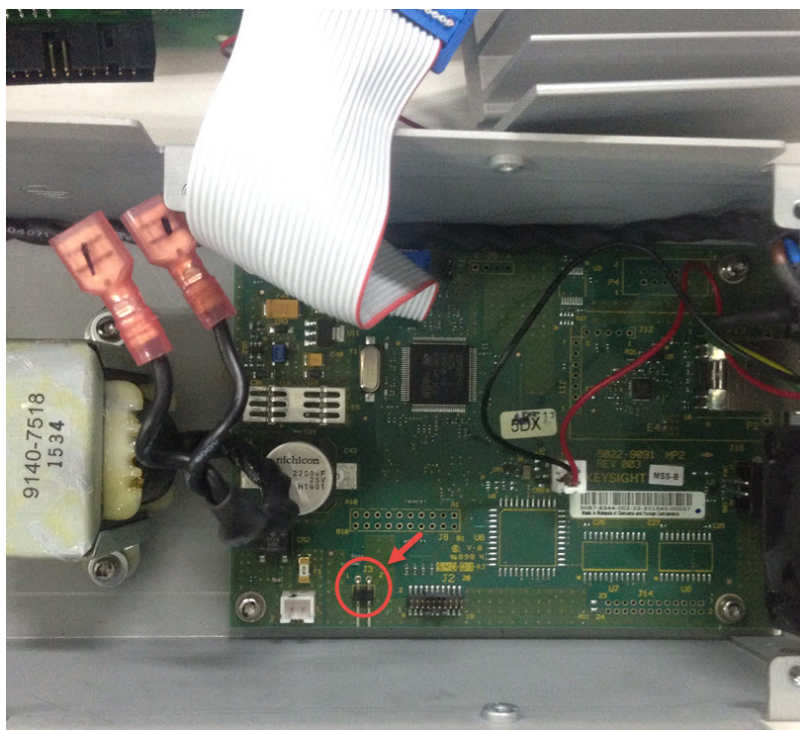
Sécurité de l'étalonnage

L'instrument dispose d'un code de sécurité d'étalonnage pour empêcher un étalonnage accidentel ou non autorisé. Lorsque vous recevez votre alimentation, elle est sécurisée par un code de sécurité par défaut, comme indiqué ci-dessous. Le code de sécurité n'est pas modifié par un cycle d'alimentation ou *RST.

Modèle	Code par défaut
E36102B	036102
E36103B	036103
E36104B	036104
E36105B	036105
E36106B	036106

Vous pouvez saisir un code de sécurité jusqu'à 6 chiffres sur le panneau avant ou jusqu'à 9 chiffres à partir de l'interface à distance.

REMARQUE Pour réinitialiser un code de sécurité oublié à sa valeur d'usine par défaut, vous pouvez allumer l'instrument après avoir court-circuité le cavalier CAL SECURE J3 à l'intérieur de l'instrument comme indiqué ci-dessous.



Nombre d'étalonnages

L'instrument compte le nombre de fois qu'il a enregistré des données d'étalonnage. Votre instrument a été calibré en usine ; Lorsque vous recevez votre instrument, lisez et notez le décompte initial. Vous ne pouvez lire le nombre d'étalonnages qu'en envoyant le message CAL:COUNT? requête, et le nombre d'étalonnages n'est pas modifié par un cycle d'alimentation ou *RST.

Si l'enregistrement automatique est activé, le décompte augmente lorsque vous quittez l'état d'étalonnage. Pour éviter un double comptage, n'enregistrez pas manuellement le décompte avec l'enregistrement automatique activé.

Message relatif à l'étalonnage

Vous pouvez utiliser la commande CALibration:STRing pour stocker un message de 40 caractères maximum dans la mémoire d'étalonnage. Par exemple, vous pouvez stocker la date du dernier étalonnage, la date d'échéance de l'étalonnage ou les coordonnées de la personne responsable de l'étalonnage. Le message d'étalonnage n'est pas affecté par un cycle d'alimentation ou *RST.

Vous ne pouvez enregistrer le message d'étalonnage que lorsque l'instrument n'est pas sécurisé, mais vous pouvez exécuter la commande CALibration:STRing ? requête, que l'instrument soit sécurisé ou non. Un nouveau message d'étalonnage écrase le message précédent et les messages de plus de 40 caractères sont tronqués.

Enregistrer les données d'étalonnage

Vous devez toujours enregistrer les nouvelles données d'étalonnage avant de rallumer l'instrument ou de quitter l'état d'étalonnage avec la fonction d'enregistrement automatique désactivée. Pour enregistrer les données d'étalonnage, envoyez CAL:SAVE ou enregistrez les données d'étalonnage à partir du panneau avant.

Enregistrement automatique d'étalonnage

L'instrument comprend une fonction d'enregistrement automatique de l'étalonnage. Cette fonction enregistre automatiquement les données d'étalonnage dans une mémoire non volatile et incrémente le nombre d'étalonnages lorsque vous quittez l'état d'étalonnage.

Pour activer ou désactiver la fonction d'enregistrement automatique CAL, envoyez CAL:ASAV ON ou CAL:ASAV OFF. Pour interroger l'état d'enregistrement automatique CAL, envoyez CAL:ASAV ?

Procédure d'étalonnage

Entrer dans l'état d'étalonnage

Pour commencer la procédure d'étalonnage, vous devez entrer dans l'état d'étalonnage.

Pas	Panneau avant	SCPI
1	Appuyez et maintenez [Calibrate] tout en allumant l'appareil.	
2	Appuyez sur [Secure] , puis tournez le bouton jusqu'au code de sécurité, en appuyant sur le bouton pour passer d'un chiffre à l'autre. Appuyez sur [Secure] une fois l'opération terminée.	CAL:STAT ON, <code>

Étalonner la tension

Laissez l'appareil reposer avec la sortie ON pendant une minute, puis connectez l'entrée de tension DMM à l'alimentation.

Pas	Panneau avant	SCPI
1	Tournez le bouton sur 'Cal Voltage' et appuyez sur le bouton.	CAL:VOLT:LEV MIN
2	Mesurez la tension de sortie (point bas) avec le DMM.	
3	Entrez la valeur mesurée et appuyez sur le bouton.	CAL:VOLT <reading> CAL:VOLT:LEV MAX
4	Mesurez la tension de sortie (point haut) avec le DMM.	
5	Entrez la valeur mesurée et appuyez sur le bouton.	CAL:VOLT <reading>
6	Lire DONE ou FAIL sur l'affichage.	(attendre 10 secondes) SYST:ERR?

Étalonner le courant

Laissez l'appareil reposer avec la sortie ON pendant une minute, puis connectez une résistance de surveillance du courant aux bornes de sortie à étalonner, puis connectez un multimètre numérique aux bornes de la résistance de surveillance.

Pas	Panneau avant	SCPI
1	Tournez le bouton sur Cal Current et appuyez sur le bouton.	CAL:CURR:LEV MIN
2	Mesurez le faible courant de sortie avec le DMM (lecture DMM / résistance shunt).	
3	Entrez la valeur mesurée et appuyez sur le bouton.	CAL:CURR <reading> CAL:CURR:LEV MAX
4	Mesurez le courant de sortie élevé avec le DMM (lecture DMM / résistance shunt).	
5	Entrez la valeur mesurée et appuyez sur le bouton.	CAL:CURR <reading>
6	Lire DONE ou FAIL sur l'affichage.	

Étalonner le petit courant

Laissez l'unité reposer avec la sortie ON pendant une minute avant de continuer.

Pas	Panneau avant	SCPI
1	Tournez le bouton sur Cal Current et appuyez sur le bouton.	CAL:CURR:LEV:LOW MIN
2	Attendez environ 40 secondes pour que le message 'Cal in Prog' quitte l'écran.	
3	Lorsque l'écran affiche l'étalonnage du deuxième point, connectez l'entrée de courant du multimètre numérique avec la résistance d'étalonnage appropriée (voir Vérification de performance > Equipement de test recommandé) pour votre modèle d'instrument à l'alimentation.	
4	Mesurez le courant de sortie avec le DMM.	CAL:CURR:LEV:LOW MAX
5	Entrez la valeur mesurée et appuyez sur le bouton.	CAL:CURR:LOW <rdg>

Pas	Panneau avant	SCPI
6	Lire DONE ou FAIL sur l'affichage.	(attendre 25 secondes) SYST:ERR?

Sauvegarder les données d'étalonnage

Pour enregistrer les données d'étalonnage, accédez au menu « CAL Save » pour enregistrer les données d'étalonnage ou activez la fonction « Auto Save ». Avec l'enregistrement automatique, les données d'étalonnage sont enregistrées lorsque l'utilisateur quitte le menu d'étalonnage.

Après avoir terminé les étalonnages de tension, de courant et de petit courant, enregistrez les données d'étalonnage avant de quitter l'état d'étalonnage, ou quittez simplement l'état d'étalonnage si l'enregistrement automatique est activé.

Pour sauvegarder les données CAL : CAL:SAVE

Pour activer la sauvegarde automatique CAL : CAL:ASAVE ON

Pour quitter l'état CAL : CAL:STAT OFF, 036102

Spécifications et caractéristiques générales

REMARQUE Pour connaître les caractéristiques et les spécifications des alimentations CC programmables de la série E36100B, reportez-vous à la fiche technique à l'adresse <http://literature.cdn.keysight.com/litweb/pdf/5992-2437EN.pdf>.

Ces informations peuvent faire l'objet de modifications sans préavis.

© Keysight Technologies, 2017 - 2022

Édition 5, novembre 2022

Imprimé en Malaisie



E36100-90003

www.keysight.com