

## Errata

**Title & Document Type:** 8568B Spectrum Analyzer Installation and Verification Manual

**Manual Part Number:** 08568-90119

**Revision Date:** September 1993

---

### HP References in this Manual

This manual may contain references to HP or Hewlett-Packard. Please note that Hewlett-Packard's former test and measurement, semiconductor products and chemical analysis businesses are now part of Agilent Technologies. We have made no changes to this manual copy. The HP XXXX referred to in this document is now the Agilent XXXX. For example, model number HP8648A is now model number Agilent 8648A.

### About this Manual

We've added this manual to the Agilent website in an effort to help you support your product. This manual provides the best information we could find. It may be incomplete or contain dated information, and the scan quality may not be ideal. If we find a better copy in the future, we will add it to the Agilent website.

### Support for Your Product

Agilent no longer sells or supports this product. You will find any other available product information on the Agilent Test & Measurement website:

[www.tm.agilent.com](http://www.tm.agilent.com)

Search for the model number of this product, and the resulting product page will guide you to any available information. Our service centers may be able to perform calibration if no repair parts are needed, but no other support from Agilent is available.

---

# **Installation and Verification Manual**

**HP 8568B Spectrum Analyzer**

**Includes Option 001, Option 400,  
Option 462, and Option 857**



**HP Part No. 08568-90119  
Printed in USA September 1993**

**Notice.**

The information contained in this document is subject to change without notice.

Hewlett-Packard makes no warranty of any kind with regard to this material, including but not limited to, the implied warranties of merchantability and fitness for a particular purpose. Hewlett-Packard shall not be liable for errors contained herein or for incidental or consequential damages in connection with the furnishing, performance, or use of this material.

---

## **Certification**

Hewlett-Packard Company certifies that this product met its published specifications at the time of shipment from the factory. Hewlett-Packard further certifies that its calibration measurements are traceable to the United States National Institute of Standards and Technology, to the extent allowed by the Institute's calibration facility, and to the calibration facilities of other International Standards Organization members.

---

## **Warranty**

This Hewlett-Packard instrument product is warranted against defects in material and workmanship for a period of one year from date of shipment. During the warranty period, Hewlett-Packard Company will, at its option, either repair or replace products which prove to be defective.

For warranty service or repair, this product must be returned to a service facility designated by Hewlett-Packard. Buyer shall prepay shipping charges to Hewlett-Packard and Hewlett-Packard shall pay shipping charges to return the product to Buyer. However, Buyer shall pay all shipping charges, duties, and taxes for products returned to Hewlett-Packard from another country.

Hewlett-Packard warrants that its software and firmware designated by Hewlett-Packard for use with an instrument will execute its programming instructions when properly installed on that instrument. Hewlett-Packard does not warrant that the operation of the instrument, or software, or firmware will be uninterrupted or error-free.

### **LIMITATION OF WARRANTY**

The foregoing warranty shall not apply to defects resulting from improper or inadequate maintenance by Buyer, Buyer-supplied software or interfacing, unauthorized modification or misuse, operation outside of the environmental specifications for the product, or improper site preparation or maintenance.

**NO OTHER WARRANTY IS EXPRESSED OR IMPLIED.  
HEWLETT-PACKARD SPECIFICALLY DISCLAIMS THE IMPLIED  
WARRANTIES OF MERCHANTABILITY AND FITNESS FOR A  
PARTICULAR PURPOSE.**

### **EXCLUSIVE REMEDIES**

**THE REMEDIES PROVIDED HEREIN ARE BUYER'S SOLE AND  
EXCLUSIVE REMEDIES. HEWLETT-PACKARD SHALL NOT BE  
LIABLE FOR ANY DIRECT, INDIRECT, SPECIAL, INCIDENTAL, OR  
CONSEQUENTIAL DAMAGES, WHETHER BASED ON CONTRACT,  
TORT, OR ANY OTHER LEGAL THEORY.**

---

## Assistance

*Product maintenance agreements and other customer assistance agreements are available for Hewlett-Packard products.*

*For any assistance, contact your nearest Hewlett-Packard Sales and Service Office.*

---

## Safety Notes

The following safety notes are used throughout this manual. Familiarize yourself with each of the notes and its meaning before operating this instrument.

### Caution

---

*Caution* denotes a hazard. It calls attention to a procedure that, if not correctly performed or adhered to, could result in damage to or destruction of the instrument. Do not proceed beyond a *caution* sign until the indicated conditions are fully understood and met.

---

### Warning

---

***Warning* denotes a hazard. It calls attention to a procedure which, if not correctly performed or adhered to, could result in injury or loss of life. Do not proceed beyond a *warning* note until the indicated conditions are fully understood and met.**

---

### Instruction Manual



The **instruction manual** symbol. The product is marked with this symbol when it is necessary for the user to refer to the instructions in the manual.

---

## General Safety Considerations

### Warning

---

*Before this instrument is switched on, make sure it has been properly grounded through the protective conductor of the ac power cable to a socket outlet provided with protective earth contact.*

**Any interruption of the protective (grounding) conductor, inside or outside the instrument, or disconnection of the protective earth terminal can result in personal injury.**

---

### Warning

---

**There are many points in the instrument which can, if contacted, cause personal injury. Be extremely careful.**

**Any adjustments or service procedures that require operation of the instrument with protective covers removed should be performed only by trained service personnel.**

---

### Caution

---

*Before this instrument is switched on, make sure its primary power circuitry has been adapted to the voltage of the ac power source.*

Failure to set the ac power input to the correct voltage could cause damage to the instrument when the ac power cable is plugged in.

---

---

## How to Use This Guide

**This guide uses the following conventions:**

<u>Front-Panel Key</u>	This represents a key physically located on the instrument.
Screen Text	This indicates text displayed on the instrument's screen.

---

## HP 8568B Documentation Description

Included with the HP Model 8568B spectrum analyzer are manuals: The Installation and Verification, the Operating and Programming Manual, and the Performance Tests and Adjustments Manual.

### HP 8568B Installation and Verification Manual

HP part number 08568-90119

Contents: General information, installation, specifications, characteristics, and operation verification.

### HP 8568B Operating and Programming Manual

HP part number 08568-90041

Contents: Manual and remote operation, including complete syntax and command description. Accompanying this manual is the separate, pocket-sized Quick Reference Guide, HP part number 5955-8970.

### HP 8568B Performance Tests and Adjustments Manual

HP part number 08568-90118

Contents: Electrical performance tests and adjustment procedures.

### HP 85680B RF Section Troubleshooting and Repair Manual

HP part number 85680-90137

Contents: RF section service information.

### HP 85662A IF-Display Section Troubleshooting and Repair Manual

HP part number 85662-90085

Contents: IF-Display section service information.

# Contents

---

## 1. General Information

What You'll Find in This Chapter . . . . .	1-1
Introducing the HP 8568B . . . . .	1-2
Safety . . . . .	1-2
Accessories Supplied . . . . .	1-2
Accessories Available . . . . .	1-5
Options . . . . .	1-6
Instruments Covered by This Manual . . . . .	1-7
Serial Numbers . . . . .	1-7
Calibration Cycle . . . . .	1-9
HP-IB Address Selection . . . . .	1-9
Bench Operation . . . . .	1-9
Electrostatic Discharge Information . . . . .	1-10
Static-Safe Accessories . . . . .	1-11
Routine Maintenance . . . . .	1-12
Cleaning the Display . . . . .	1-12
Cleaning the RF Section's Fan Filter . . . . .	1-13
Replacing the RF Section's Battery . . . . .	1-13
Ordering Information . . . . .	1-18
Direct Mail Order System . . . . .	1-18
Direct Phone-Order System . . . . .	1-18
Returning the Instrument for Service . . . . .	1-19
Service tags . . . . .	1-19
Original Packaging . . . . .	1-19
Other Packaging . . . . .	1-21
Sales and Service Offices . . . . .	1-22

## 2. Installation

What You'll Find in This Chapter . . . . .	2-1
Safety . . . . .	2-1
Preparation for Use . . . . .	2-3
Initial Inspection . . . . .	2-3
Operating Environment . . . . .	2-3
Power Requirements . . . . .	2-3
To Install Standard Instruments . . . . .	2-4
To Install Option 908 and 913 Instruments . . . . .	2-7
To Install Option 010 Instruments . . . . .	2-13
To Set the HP-IB Address . . . . .	2-20
From the Front Panel . . . . .	2-20
From the HP-IB Bus . . . . .	2-20
From the HP-IB Address Switch . . . . .	2-20



<b>3. Specifications</b>	
Introduction . . . . .	3-1
Frequency . . . . .	3-1
Measurement Range . . . . .	3-1
Displayed Values . . . . .	3-1
Center Frequency . . . . .	3-1
Range . . . . .	3-1
Readout Accuracy . . . . .	3-2
Frequency Span . . . . .	3-2
Range . . . . .	3-2
Full Span . . . . .	3-2
Frequency Count . . . . .	3-3
Resolution . . . . .	3-3
Resolution Bandwidth . . . . .	3-3
Resolution Bandwidth (Option 462 6 dB Bandwidths)	3-4
Resolution Bandwidth (Option 462 Impulse	
Bandwidths) . . . . .	3-4
Bandwidth Shape . . . . .	3-4
Stability . . . . .	3-5
Residual FM . . . . .	3-5
Spectral Purity . . . . .	3-5
Power-Line-Related Sidebands . . . . .	3-5
Amplitude . . . . .	3-6
Measurement Range . . . . .	3-6
Amplitude Measurement Range . . . . .	3-6
Displayed Values . . . . .	3-6
Scale . . . . .	3-6
Accuracy . . . . .	3-6
Reference Lines Accuracy . . . . .	3-7
Dynamic Range . . . . .	3-7
Spurious Responses . . . . .	3-7
Residual Responses . . . . .	3-7
Gain Compression . . . . .	3-8
Displayed Average Noise Level (Sensitivity) . . . . .	3-8
Amplitude Uncertainty . . . . .	3-9
Table Footnotes . . . . .	3-11
Marker . . . . .	3-12
Sweep . . . . .	3-12
Inputs . . . . .	3-13
INPUT #1 . . . . .	3-13
INPUT #2 . . . . .	3-13
outputs . . . . .	3-14
CAL OUTPUT . . . . .	3-14
1ST LO OUTPUT . . . . .	3-14
Options . . . . .	3-14
75 $\Omega$ Input Impedance, Option 001 . . . . .	3-14
INPUT #1 . . . . .	3-14
400 Hz Power Line Frequency Operation, Option 400 . . . . .	3-15
Power Line Related Sidebands . . . . .	3-15
General . . . . .	3-16
HP-IB Interface Functions . . . . .	3-16
Environmental . . . . .	3-16
Temperature . . . . .	3-16
Altitude . . . . .	3-16
Power Requirements . . . . .	3-16

Humidity . . . . .	3-16
Operation . . . . .	3-16
Storage . . . . .	3-16
EMI . . . . .	3-16
X-Rays . . . . .	3-16
IF Section Serial Prefix 3004A and above . . . . .	3-16
IF Section Serial Prefix 3001A and below . . . . .	3-16
Warm-Up Time . . . . .	3-18
Frequency Reference . . . . .	3-18
Operation . . . . .	3-18
Weight . . . . .	3-18
Dimensions . . . . .	3-19

#### 4. **Characteristics**

Frequency . . . . .	4-1
Resolution . . . . .	4-1
Stability . . . . .	4-2
Drift . . . . .	4-2
Spectral Purity . . . . .	4-2
Noise Sidebands . . . . .	4-2
Amplitude . . . . .	4-3
Average Noise Level . . . . .	4-3
Log to Linear Switching . . . . .	4-3
Frequency Response (Flatness) Uncertainty . . . . .	4-3
Residual Responses . . . . .	4-4
Third Order Intermodulation Distortion . . . . .	4-4
Inputs . . . . .	4-5
RF INPUTS . . . . .	4-5
Isolation . . . . .	4-5
LO Emission . . . . .	4-5
VIDEO INP . . . . .	4-5
IF INP . . . . .	4-5
EXT TRIGGER . . . . .	4-5
FREQ REFERENCE (IN) . . . . .	4-6
outputs . . . . .	4-6
Display Outputs . . . . .	4-6
Recorder Outputs . . . . .	4-6
SWEEP . . . . .	4-6
VIDEO . . . . .	4-7
PENLIFT . . . . .	4-7
21.4 MHz IF OUTPUT . . . . .	4-7
FREQ REFERENCE (OUT) . . . . .	4-7
VIDEO OUT . . . . .	4-7
IF OUT . . . . .	4-8
PROBE POWER (front panel) . . . . .	4-8
General . . . . .	4-8
Acoustic Noise Emission/ Geraeuschemission . . . . .	4-8
Function Descriptions . . . . .	4-9
Sweep . . . . .	4-9
Cathode Ray Tube . . . . .	4-10
Instrument State Storage . . . . .	4-10
Remote Operation . . . . .	4-10

<b>5. Operation Verification</b>	
What You'll Find in This Chapter . . . . .	5-1
Test System Configuration . . . . .	5-5
Equipment Connections . . . . .	5-5
Program Loading . . . . .	5-7
Program Operation . . . . .	5-7
HP-IB Addresses . . . . .	5-9
Error Messages . . . . .	5-10
Test Descriptions . . . . .	5-10
1. Input Attenuator Switching Uncertainty . . . . .	5-11
2. IF Gain Uncertainty . . . . .	5-12
3. Scale Fidelity (Log) . . . . .	5-13
4. Scale Fidelity (Linear) . . . . .	5-14
5. Log Scale Switching Uncertainty . . . . .	5-15
6. Resolution Bandwidths . . . . .	5-16
7. Impulse and Resolution Bandwidths (Opt. 462 Impulse Bandwidth) . . . . .	5-17
8. Line Related Sidebands . . . . .	5-18
9. Residual FM . . . . .	5-19
10. RF Gain Uncertainty . . . . .	5-20
11. Sweep Time Accuracy . . . . .	5-21
12. Average Noise Level . . . . .	5-22
13. Residual Responses . . . . .	5-23
14. Frequency Span Accuracy . . . . .	5-24
15. Frequency Response . . . . .	5-25
16. Second Harmonic Distortion . . . . .	5-26
17. Third Order Intermodulation Distortion . . . . .	5-27
18. Calibrator Output Amplitude Accuracy . . . . .	5-28

# Figures

---

1-1. HP 8568B with Accessories Supplied . . . . .	1-3
1-2. AC Power Cables Available . . . . .	1-4
1-3. Typical Serial Number Label . . . . .	1-8
1-4. Static-Safe Workstation . . . . .	1-10
1-5. Display Bezel Screws . . . . .	1-12
1-6. Removing the Bottom Cover . . . . .	1-14
1-7. Location of A15 Controller Assembly . . . . .	1-15
1-8. Location of Battery on A15 Controller Assembly . . . . .	1-16
1-9. Factory Packaging Materials for Each Section . . . . .	1-20
2-1. Rear-Panel Cable Connections . . . . .	2-4
2-2. Voltage Selector Board and Fuse . . . . .	2-5
2-3. Removing the Handles and Trim . . . . .	2-7
2-4. Removing the Information-Card Tray . . . . .	2-8
2-5. Attach the Rack Mount Flanges . . . . .	2-9
2-6. Voltage Selector Board and Fuse . . . . .	2-10
2-7. Rear-Panel Cable Connections . . . . .	2-11
2-8. Removing the Handles and Trim . . . . .	2-13
2-9. Removing the Information-Card Tray . . . . .	2-14
2-10. Attaching the Rack Handles and Flanges . . . . .	2-15
2-11. Rear-Panel Cable Connections . . . . .	2-15
2-12. Voltage Selector Board and Fuse . . . . .	2-16
2-13. Attaching the Inner-Member Brackets . . . . .	2-17
2-14. Slide Adapter for Non-HP System Rack Cabinets . . . . .	2-18
2-15. Removing the Bottom Cover . . . . .	2-21
2-16. Location of A15 Controller Assembly . . . . .	2-22
2-17. Address Switch (Shown in Factory Preset Position) . . . . .	2-23
2-18. Address Switch Set to 4 . . . . .	2-24
3-1. Instrument Dimensions with Handles . . . . .	3-19
3-2. Instrument Dimensions without Handles . . . . .	3-19
4-1. Typical Spectrum Analyzer Resolution . . . . .	4-1
4-2. Single Sideband Noise Normalized to 1 Hz BW versus Offset from Carrier . . . . .	4-2
4-3. Typical Sensitivity vs. Input Frequency . . . . .	4-3
4-4. Typical Optimum Dynamic Range . . . . .	4-4
5-1. Dual Bus (MTS) System Connection . . . . .	5-6
5-2. Single Bus System Connection . . . . .	5-6
5-3. RF Input and Calibration Controls . . . . .	5-9

## Tables

---

1- 1. Static-Safe Accessories . . . . .	1-11
1-2. Factory Packaging Materials . . . . .	1-20
1-3. Hewlett-Packard Sales and Service Offices . . . . .	1-23
2-1. Decimal and Binary Address Codes . . . . .	2-25
5-1. Tests Performed . . . . .	5-3
5-2. Tests Not Performed . . . . .	5-4
5-3. Equipment Summary . . . . .	5-4
5-4. HP-IB Addresses . . . . .	5-9

## General Information

---

### What You'll Find in This Chapter

This chapter introduces you to the HP 8568B spectrum analyzer and its options and accessories. Refer to Chapter 2 for information on inspecting and installing the HP 8568B. Refer to Chapter 3 and Chapter 4 for a complete listing of instrument specifications and characteristics. Refer to Chapter 5 for Operation Verification.

Introducing the HP 8568B .....	1-2
Safety .....	1-2
Accessories Supplied .....	1-2
Accessories Available .....	1-5
Options .....	1-6
Instruments Covered by This Manual .....	1-7
Serial Numbers .....	1-7
Calibration Cycle .....	1-9
HP-IB Address Selection .....	1-9
Bench Operation .....	1-9
Electrostatic Discharge Information .....	1-10
Static-Safe Accessories .....	1-11
Routine Maintenance .....	1-12
Cleaning the Display .....	1-12
Cleaning the RF Section's Fan Filter .....	1-13
Replacing the RF Section's Battery .....	1-13
Ordering Information .....	1- 18
Direct Mail-Order System .....	1- 18
Direct Phone-Order System .....	1-18
Returning the Instrument for Service .....	1-19
Service Tags .....	1-19
Original Packaging .....	1-19
Other Packaging .....	1-2 1
Sales and Service Offices .....	1-22

---

## **Introducing the HP 8568B**

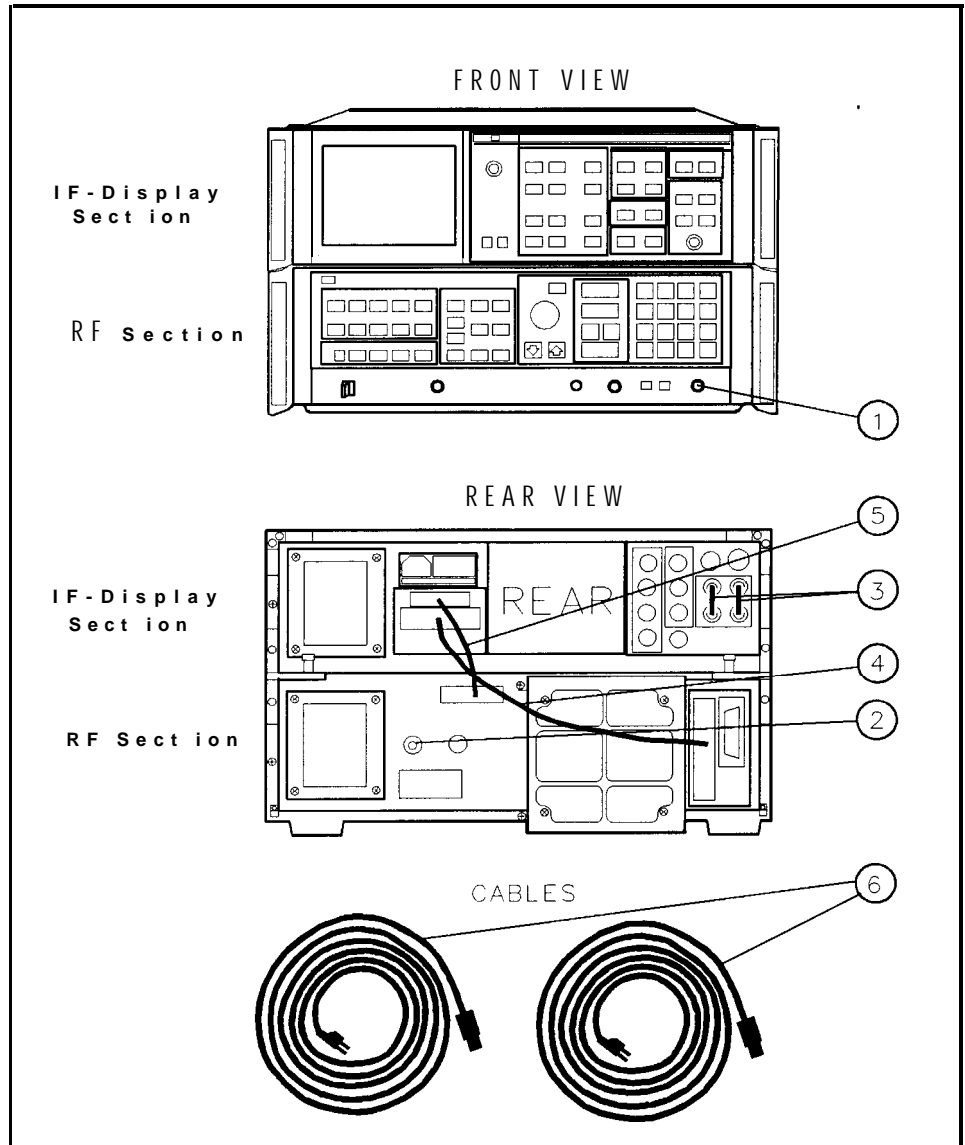
The HP 8568B spectrum analyzer is capable of measuring signals from -135 dBm to +30 dBm over a frequency range of 100 Hz to 1500 MHz. The HP 8568B is a complete, self-contained instrument that requires only an external ac power source for operation. A set of ac power cables, suitable for use in the country to which the instrument is originally shipped, are included with the instrument.

### **Safety**

Before installing or operating this instrument, you should familiarize yourself with the safety marking on the instrument and the safety instructions in the manuals. The instrument has been manufactured and tested in accordance with international safety standards. However, to ensure safe operation of the instrument and personal safety of the user, the cautions and warnings in the manuals must be followed. Refer to the summary of the safety information located near the front of this manual.

### **Accessories Supplied**

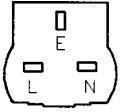

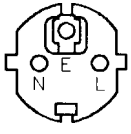
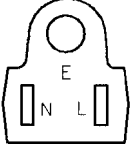
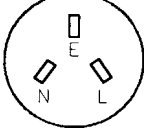
Figure 1-1 illustrates the instrument with the supplied accessories. In accordance with international safety standards, both sections of this instrument are equipped with three-wire ac power cables. Various power cables are available to connect the HP 8568B to the types of AC power outlets unique to specific geographic areas. See Figure 1-2. Cables appropriate for the area to which the instrument is originally shipped are included with the instrument.



**Figure 1-1. HP 8568B with Accessories Supplied**

Item	Description	HP Part Number
1	Type N (m) to BNC (f) connector	1250-0780
2	1ST LO OUT BNC termination	HP 11593A
3	BNC jumper cable (quantity: 2)	85660-60117
4	Bus interconnect cable (W31)	85662-60220
5	Coax interconnect cable (W30)	85662-60093
6	Line power cables (2 each)	see Figure 1-2



PLUG TYPE **	CABLE HP PART NUMBER	PLUG DESCRIPTION	CABLE LENGTH CM (INCHES)	CABLE COLOR	FOR USE IN COUNTRY
250V 	8120-1351 8120-1703	Straight* BS1363A 90°	229 (90) 229 (90)	Mint Gray Mint Gray	Great Britain, Cyprus, Nigeria, Singapore, Zimbabwe
250V 	8120-1369 8120-0696	Straight* NZSS198/ASC112 90°	201 (79) 221 (87)	Gray Gray	Argentina, Australia, New Zealand, Mainland China
250V 	8120-1689 8120-1692	Straight* CEE7-Y11 90°	201 (79) 201 (79)	Mint Gray Mint Gray	East and West Europe, Central African Republic United Arab Republic (unpolarized in many nations)
125V 	8120-1348 8120-1538	Straight* NEMA5-15P 90°	203 (80) 203 (80)	Black Black	United States Canada, Japan (100 V or 200 V), Brazil, Colombia, Mexico Philippines, Saudi Arabia, Taiwan
	8120-1378 8120-4753	Straight* NEMA5-15P	203 (80) 230 (90)	Jade Gray Jade Gray	
	8120-1521 8120-4754	Straight 90°	203 (80) 230 (90)	Jade Gray Jade Gray	
250V 	8120-5182 8120-5181	Straight* NEMA5-15P 90°	200 (78) 200 (78)	Jade Gray Jade Gray	Israel
<p>* Port number for plug is industry identifier for plug only. Number shown for cable is HP Part Number for complete cable, including plug</p> <p>** E = Earth Ground, L = Line; N = Neutral.</p>					

FORMAT80

**Figure 1-2. AC Power Cables Available**

## Accessories Available

A number of accessories are available from Hewlett-Packard to help you configure your HP 8568B for your specific needs.

Preamplifiers	The HP 8447D preamplifier provides a minimum of 26 dB gain from 100 kHz to 1.3 GHz to enhance measurements of very low-level signals.
Close-Field Probes	The HP 11940A and HP 11941A Close-Field Probes are small, hand-held, electromagnetic-field sensors. The probes can be used to make repeatable, absolute, magnetic-field measurements. When attached to a signal source, the probes can be used to generate a localized magnetic field for electromagnetic interference (EMI) susceptibility testing. The HP 11941A is specified over a frequency range of 9 kHz to 30 MHz. The HP 11940A operates from 30 MHz to 1 GHz.
75 to 50 ohm Minimum-Loss Pad	The minimum-loss pad (dc – 2.0 GHz), HP part number 08566-60122, is a low-VSWR resistive matching device for making measurements in 75-ohm systems.
Microwave Limiters	<p>The HP 11867A Limiter protects the instrument input circuits from damage due to high power levels. It operates over a frequency range of dc to 1.8 GHz and is rated 10 W continuous and 100 W peak power.</p> <p>The HP 11693A Limiter is similar to the HP 11863A but has a frequency range of 0.4 to 12.4 GHz and is rated 1 W continuous and 75 W peak power.</p>
HP-IB Cable	Use HP 10833A/B/C/D HP-IB cables.
Controllers	The HP 8568B is fully HP-IB programmable. The preferred controllers are HP 9000 Series 300 computers. Consult your local Hewlett-Packard service representative for other recommended controllers and available software.
HP 85650A Quasi-Peak Adapter	The HP 85650A adds to the spectrum analyzer the resolution bandwidth filters and quasi-peak detection capability specified by CISPR. Together the quasi-peak adapter and the spectrum analyzer provide many of the elements needed for an EMI receiver system.

HP 85685A RF Preselector	The HP 85685A RF Preselector can be used with an HP 8568B to form a multi-purpose RF test receiver. It improves spectrum analyzer measurement sensitivity while providing overload protection from out-of-band signals. This enables low-level signals to be monitored in the presence of high-level ambients. Its frequency range is 20 Hz to 2 GHz.
Troubleshooting and Repair Manual	Service information for the HP 8568B is available in the <i>HP 85680B Troubleshooting and Repair Manual</i> and the <i>HP 85662A Troubleshooting and Repair Manual</i> . They include schematic diagrams, block diagrams, component location illustrations, circuit descriptions, repair procedures, and troubleshooting information.
Service Kits	A service kit is available containing troubleshooting and alignment accessories for the HP 8568B. The kit includes a test cable and extender boards. Order the kit as HP part number 08568-60001. A combined kit, HP part number 08566-60005 is available containing accessories for both the HP 8566B and HP 8568B instruments.

## Options

Several options are available and can be ordered by option number when you order the instrument. Some of the options are also available as kits that can be ordered and installed after you have received your HP 8568B.

Option 001	75 ohm (BNC) RF input.
Option 010	Rack Mount Slide kit. This option supplies the necessary hardware and installation instructions for mounting an instrument on slides into a rack of 482.6 mm (19 inch) spacing. The heavy-duty slides are designed specifically to support the weight of the HP 8568B. Because of the weight of the HP 8568B, approximately 50 kg (112 lbs), the use of this option is recommended. Option 010 is also available as a kit (HP part number 5062-6407).
Option 080	Information Cards in Japanese.
Option 081	Information Cards in French.
Option 400	The standard HP 8568B requires that the power line frequency be 50 or 60 Hz. Option 400 allows the instrument to operate with a 400 Hz power line frequency.
Option 462	This option provides 6 dB bandwidths for making MIL-STD EM1 measurements. In addition to enhancing instrument capability for MIL-STD 461D and 462D EM1 measurements, Option 462 spectrum analyzers can still make all commercial

- EM1 and general-purpose measurements. Option 462 instruments with HP 85662A (top box) serial prefixes below 3341A were **compatible** with MIL-STD 462A/B/C (impulse bandwidth).
- Option 857 The HP 8568B Option 857 is used in EMC receiver applications. This option provides the cumulative log fidelity and absolute amplitude performance necessary for EMC receivers to meet their system specs.
- Option 908 Rack Mount Flange kit (to mount without handles). This option supplies the necessary hardware and installation instructions for mounting an instrument in a rack of 482.6 mm (19 inch) spacing. Option 908 is also available as a kit (HP part number 5062-3986).
- Option 910 Extra *HP 8568B Operating and Programming Manual* and an extra *HP 8568B Performance Tests and Adjustments Manual*.
- Option 913 Rack Mount Flanges with Handles (handles provided). This option supplies the necessary hardware and installation instructions for mounting an instrument with handles in a rack of 482.6 mm (19 inch) spacing. Option 913 is also available as a kit (HP part number 5062-3986).
- Option 915 This option supplies the HP 8568B troubleshooting and repair manuals.

## **Instruments Covered by This Manual**

This manual contains information for setup and verification of operation of HP 8568B spectrum analyzers, including those with Option 001 (75 Ohm RF INPUT), Option 400 (400 Hz operation), Option 462 (6 dB bandwidths or impulse bandwidths), or Option 857 installed. The procedures in this manual can also be used to setup and verify the operation of HP 8568A spectrum analyzers that have been converted into HP 8568B spectrum analyzers through the installation of an HP 8568AB Retrofit kit (formerly the HP 8568A+01K Retrofit Kit).

## **Serial Numbers**

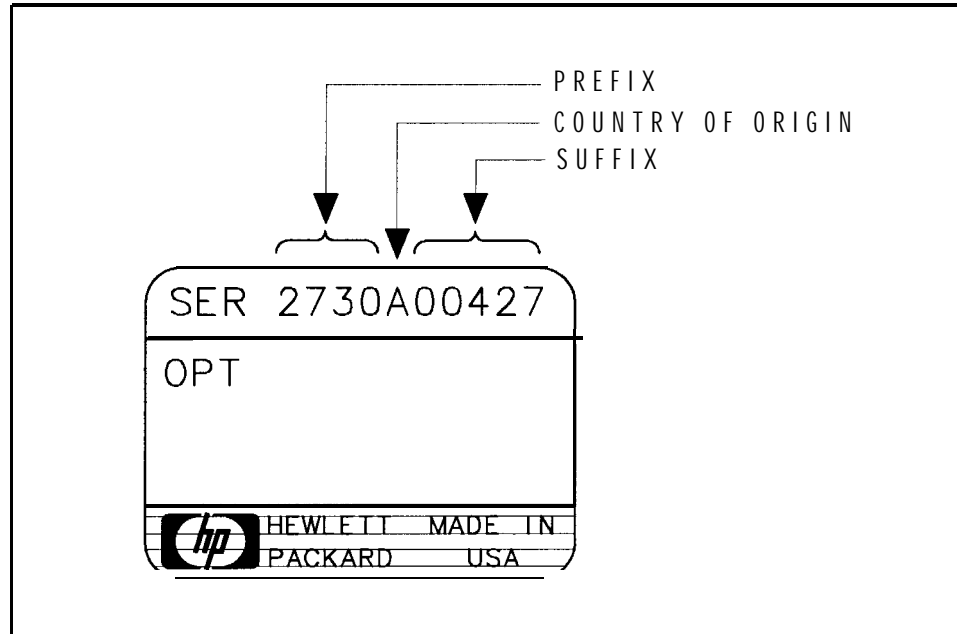
Hewlett-Packard makes frequent improvements to its products to enhance their performance, usability, or reliability. HP service personnel have access to complete records of design changes to each type of equipment, based on the equipment's serial number.

Whenever you contact HP about your instrument, have the complete serial number available to ensure obtaining the most complete and accurate information possible.

A serial number label is attached to the rear of each instrument section. The serial number has two parts: the prefix (the first four numbers and a letter), and the suffix (the last five numbers). See Figure 1-3.

The first four numbers of the prefix are a code identifying the date of the last major design change incorporated in your instrument.

The letter identifies the country in which the instrument was manufactured. The five-digit suffix is a sequential number and is different for each instrument. Whenever you list the serial number or refer to it in obtaining information about your instrument section, be sure to use the complete number, including the full prefix and the suffix.



**Figure 1-3. Typical Serial Number Label**

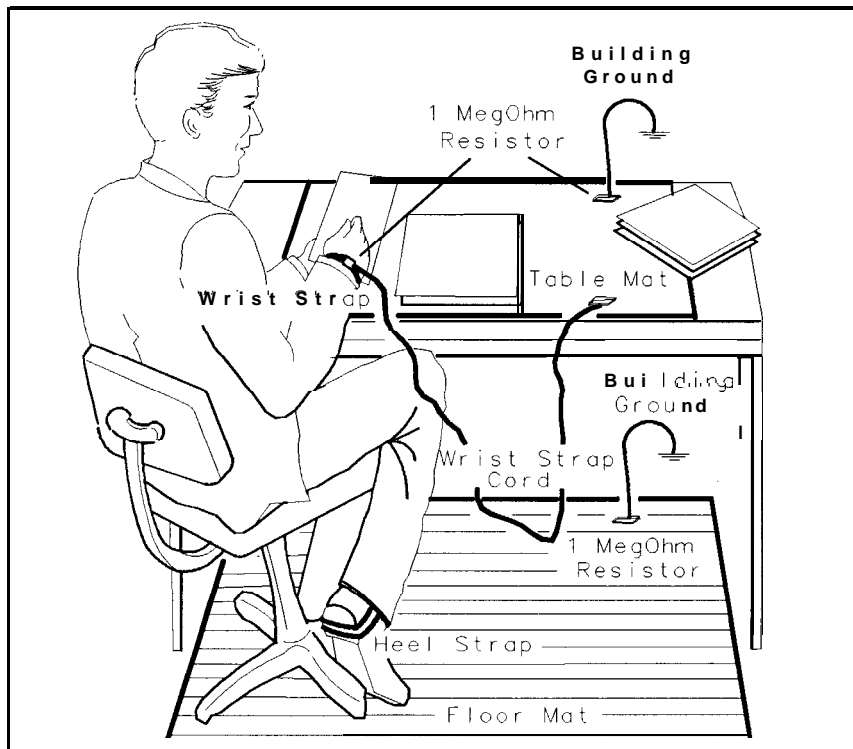
- Calibration Cycle** To ensure that the HP 8568B meets the specifications listed in Chapter 3, the operation verification listed in Chapter 5 should be performed every 6 months.
- HP-IB Address Selection** The instrument is shipped with the HP-IB address preset to 18 (ASCII 2R). The instrument stores this address in internal RAM memory which is maintained by a lithium battery in STANDBY and when line power is removed. This stored address can be changed from the front panel or on switches located on the RF section's A15 controller assembly. Refer to Chapter 2, "Installation."
- Bench Operation** The instrument has plastic feet and **foldaway** tilt stands for convenience in bench operation. The plastic feet are shaped to make full-width modular instruments self-aligning when stacked. The instrument is shipped with front handles attached for ease of moving.

## Electrostatic Discharge Information

Electrostatic discharge (ESD) can damage or destroy electronic components. Therefore, observe the following precautions:

- Be sure that all instruments are properly earth-grounded to prevent buildup of static charge.
- Before connecting any coaxial cable to an instrument connector for the first time each day, *momentarily* short the center and outer conductors of the cable together.
- Personnel should be grounded with a resistor-isolated wrist strap before touching the center pin of any connector and before removing any assembly from the instrument.
- When replacing the instrument's battery (refer to Replacing the RF Section Battery in this chapter), be sure to observe the following:
  - Perform the work at a static-safe workstation. See Figure 1-4.
  - Store or transport PC boards only in static-shielding containers.
  - Always handle board assemblies by the edges. Do not touch the edge-connector contacts or trace surfaces with bare hands.

Figure 1-4 shows an example of a static-safe workstation. Two types of ESD protection are shown: a) conductive table mat and wrist strap combination, and b) conductive floor mat and heel strap combination. The two types *must* be used together to ensure adequate ESD protection. Refer to Table 1-1 for a list of static-safe accessories and their part numbers.



FORMAT46

**Figure 1-4. Static-Safe Workstation**

## Static-Safe Accessories

**Table I-1. Static-Safe Accessories**

<b>HP Part Number</b>	<b>Description</b>
Order the following through any Hewlett-Packard Sales and Service Office	
9300-0797	Set includes: 3M static control mat 0.6 m x 1.2 m (2 ft x 4 ft) and 4.6 cm (15 ft) ground wire. (The wrist-strap and wrist-strap cord are not included. They must be ordered separately.)
9300-0980	Wrist-strap cord 1.5 m (5 ft)
9300-1383	Wrist-strap, color black, stainless steel, without cord, has four adjustable links and a 7 mm post-type connection.
9300-1169	ESD heel-strap (reusable 6 to 12 months).



---

## Routine Maintenance

### Cleaning the Display

The inside surface of the glass CRT shield is coated with a thin metallic film that can be easily damaged. To clean the glass CRT shield, use thin-film cleaner (HP part number 8500-2163) and a lint-free cloth. To clean the inside surface of the display glass, remove the glass CRT shield using the following procedure:

1. Disconnect the ac line power from the instrument sections.
2. Remove the two screws securing the display bezel and CRT glass shield to the front panel. These screws are located on the bottom edge of the bezel. See Figure I-5.

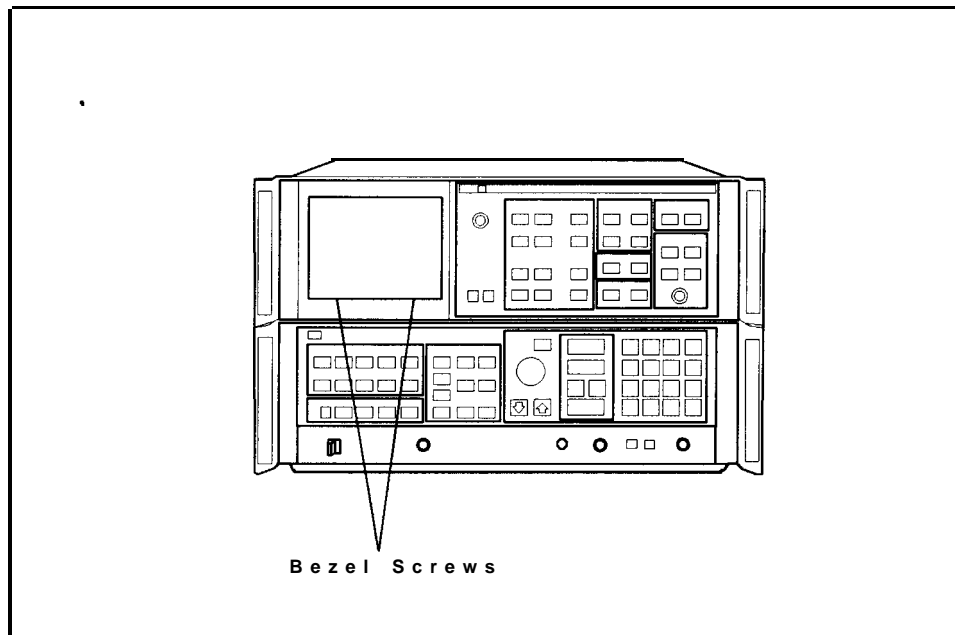
### Caution

---

While removing the two bezel screws, use caution to prevent the glass from falling.

---

3. Remove the bezel and CRT glass shield.



**Figure I-5. Display Bezel Screws**

4. Clean the glass using the thin-film cleaner and a lint-free cloth.
5. Replace the glass shield. Place the side of the glass that has the silver edge towards the CRT.
6. Replace the bezel and two screws.

## Cleaning the RF Section's Fan Filter

The fan on the RF section has a air filter that should be regularly inspected and cleaned. To clean the air filter perform the following:

1. Disconnect the ac line power from the RF section.
2. Remove the four screws securing the filter cover to the fan on the RF section. Remove the filter.
3. Clean the filter using a mild soap and water. Dry the filter thoroughly. If damaged, replace with a new filter (HP part number 85660-00049).
4. Replace the filter and its cover.

## Replacing the RF Section's Battery

The RF section's A15 controller assembly has a battery for maintaining internal RAM memory. This memory is primarily used for storing instrument states, error correction data, and DLPs (downloadable programs). Under normal conditions, the battery should typically last a minimum of three years. Use the following procedure to replace the battery. Refer to the *HP 85680B Troubleshooting and Repair Manual* for the HP part number.

---

### Warning

**Battery BT1 contains lithium iodide. Do not incinerate, puncture, or attempt to recharge this battery. Dispose of discharged battery in a safe manner.**

---

### Warning

**Changing the battery BT1 on the A15 controller assembly requires the removal of the RF section's protective bottom cover. This should be performed only by a qualified service person. Refer all such servicing of the instrument to qualified service persons.**

---

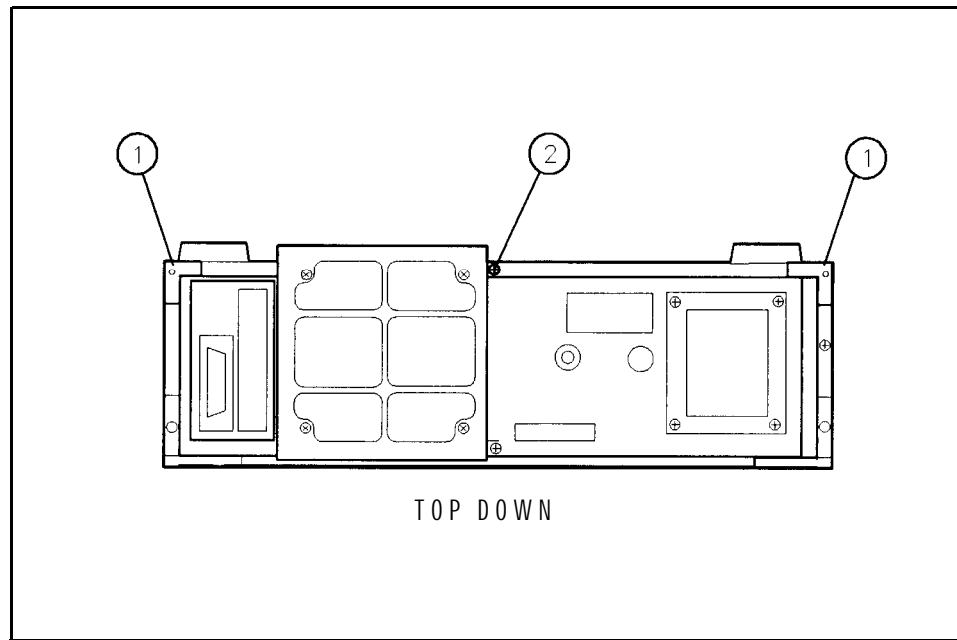
### Caution

ESD (Electrostatic Discharge) can damage or destroy electronic components. Work at a static-safe workstation when replacing the battery.

---

1. Place the HP 8568B on a static-safe workstation. Refer to "Electrostatic Discharge Information" in this chapter.
2. Disconnect the ac line power from the instrument sections. Place the HP 8568B upside down on the work surface so that the bottom of the RF section is facing up.

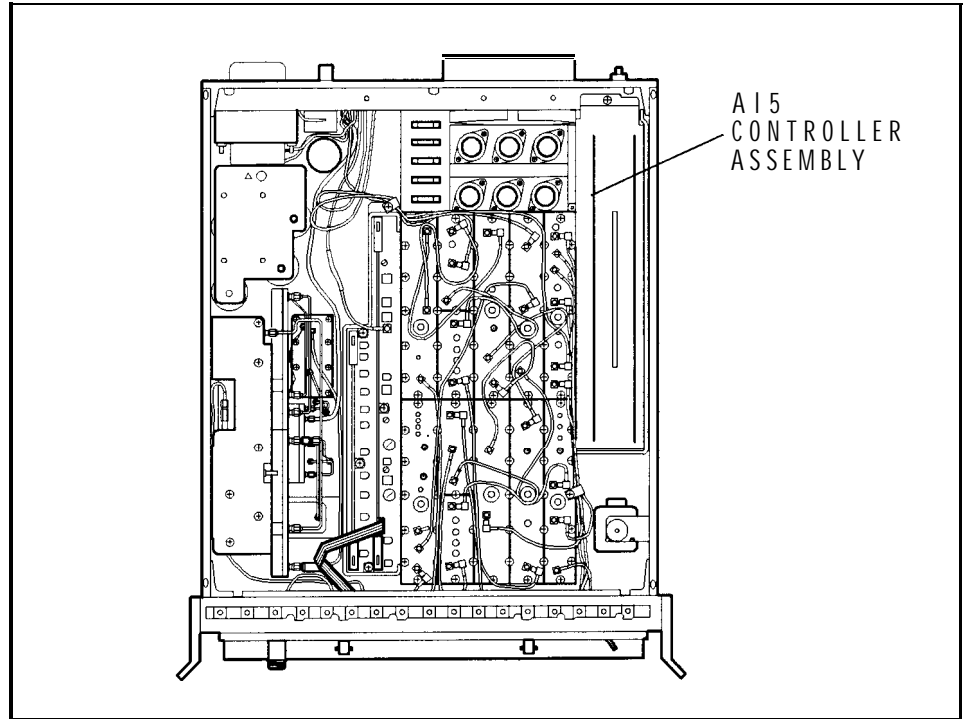
- Using a screw driver, remove the two bottom RF section rear panel bumpers. See callouts 1 in Figure 1-6.



**Figure 1-6. Removing the Bottom Cover**

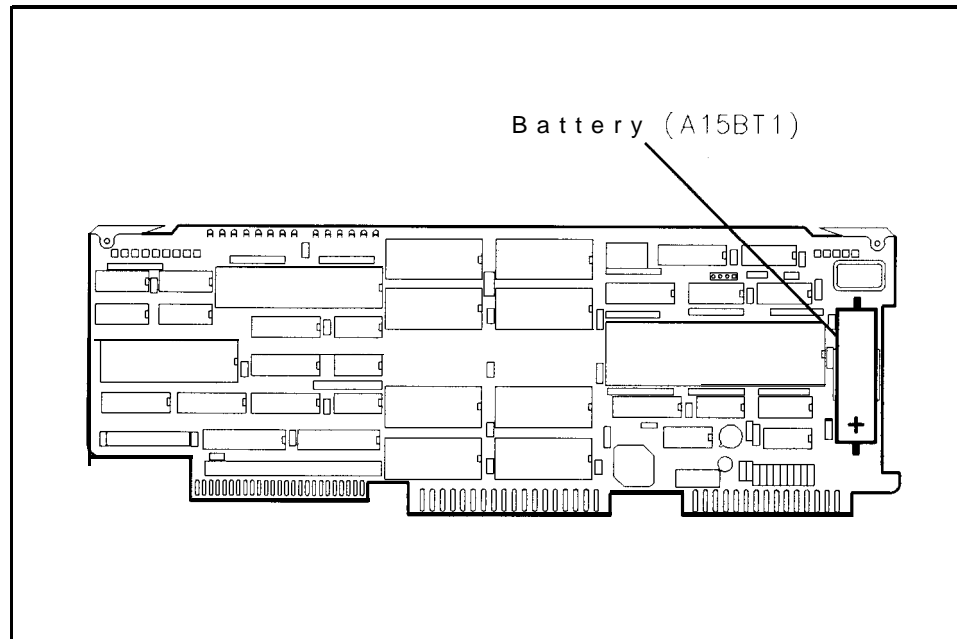
- Back out screw 2 (Figure 1-6) causing the cover to unseat from the front frame. When the cover is clear of the front frame, lift the cover up to remove it.

5. Remove the cover from the A15 controller assembly. See Figure 1-7.



**Figure 1-7. Location of A15 Controller Assembly**

6. Remove the A15 controller assembly. Locate the battery on the A15 assembly. Figure 1-8 shows the location of the battery.



**Figure 1-8. Location of Battery on A15 Controller Assembly**

7. Replace the battery with a new one (HP part number 1420-0331). Be sure to install the battery with the polarity shown in Figure 1-8.
8. Replace the A15 controller assembly.
9. Reconnect the power cables to the IF and RF sections.
10. Connect a jumper wire between the A15 controller test points A15TP1-8 T3 and A15TP1-9 ST (to erase and initialize A15 controller nonvolatile memory).
11. Set the LINE switch to ON. The A15 controller LED's A15DS1 through A15DS14 should all turn on, then turn off, sequentially, indicating the A15 controller has successfully executed self-test. If they do not, the A15 controller might be damaged or improperly installed. In addition, all front panel LED's should turn on momentarily, indicating the HP 8566B has performed its power-on pretest.  

In addition to normal HP 8568B power-up HP-IB address and firmware revision information, a BATTERY flag should appear on the CRT, indicating that information previously stored in the A15 controller nonvolatile memory has been lost or erased. Normally the BATTERY flag appears after several years of use to indicate that the lithium battery A15BT1 needs to be replaced.
12. Remove the jumper wire between A15TP1-8 T3 and A15TP1-9 ST.

13. Set the LINE switch to STANDBY and then to ON. The HP 8568B should power up normally, without any flags displayed on the CRT.
14. Set the LINE switch to STANDBY and remove the power cable from the rear of the RF section.
15. Install the controller cover,
16. Replace the RF section bottom cover and the two rear feet.
17. Place the HP 8568B top side up and reconnect the power cable to the RF section.
18. Set the LINE switch to ON and allow a 2-hour warm-up.
19. Recalibrate the instrument with the following steps. (For a more complete description of the calibration, refer to the *HP 8568B Operating and Programming Manual*.)
  - a. Connect the front-panel CAL OUTPUT signal to the SIGNAL INPUT 2.
  - b. Press **RECALL** 8, and then adjust the front-panel AMPTD CAL adjust for a marker amplitude of -10.00 dBm.
  - c. Press **RECALL** 9, and then adjust the front-panel FREQ ZERO adjust for maximum signal amplitude.
  - d. Press **SHIFT** **[FREQUENCY SPAN]**<sup>W</sup> to load the error correction data in the instrument's memory.

---

## Ordering Information

Parts can be ordered from any Hewlett-Packard Sales and Service Office. Refer to Table 1-3 for a listing of sales and service offices. To order a part or assembly, quote the Hewlett-Packard part number, indicate the quantity required, and address the order to the nearest Hewlett-Packard Office.

To order a part that is not listed in the replaceable parts table, include the instrument model number, the description and function of the part, and the number of parts required. Address the order to the nearest Hewlett-Packard Sales and Service Office.

### Direct Mail Order System

Within the USA, Hewlett-Packard can supply parts through a direct mail order system. Advantages of using the system are as follows:

- Direct ordering and shipment from the HP Support Materials Organization in Roseville, California.
- No maximum or minimum on any mail order. (There is a minimum order amount for parts ordered through a local Hewlett-Packard Sales and Service Office when the orders require billing and invoicing.)
- Prepaid transportation. (There is a small handling charge for each order.)
- No invoices.

To provide these advantages, a check or money order must accompany each order. Mail-order forms and specific ordering information is available through your local Hewlett-Packard Sales and Service Office.

### Direct Phone-Order System

Within the USA, a phone order system is available for regular and hotline replacement parts service. A toll-free phone number is available, and Mastercard and Visa are accepted.

**Regular Orders:** The toll-free phone number, (800) 227-8164, is available 6 AM to 5 PM, Pacific time, Monday through Friday. Regular orders have a 4 day delivery time.

**Hotline Orders:** Hotline service for ordering emergency parts is available 24 hours a day, 365 days a year. There is an additional hotline charge to cover the cost of freight and special handling.

The toll-free phone number, (800) 227-8164, is available 6 AM to 5 PM, Pacific time, Monday through Friday and (916) 785-8HOT is available after-hours, weekends, and holidays. Hotline orders are normally delivered the following business day.

---

## Returning the Instrument for Service

The instrument may be shipped in environments within the following limits:

Temperature . . . . . -40 °C to + 75 °C  
Humidity . . . . . 5% to 90% at 0 °C to 40 °C  
Altitude . . . . . Up to 15,240 meters (50,000 feet)

The instrument should be protected from temperature extremes which may cause condensation within the instrument.

### Service Tags

If you are returning the instrument to Hewlett-Packard for servicing, fill in and attach a blue service tag to each instrument section. (Service tags are supplied at the end of this chapter.)

Please be as specific as possible about the nature of the problem. If you have recorded any error messages that appeared on the screen or have any other specific data on the performance of the instrument, please send a copy of this information with the instrument.

### Original Packaging

#### Note

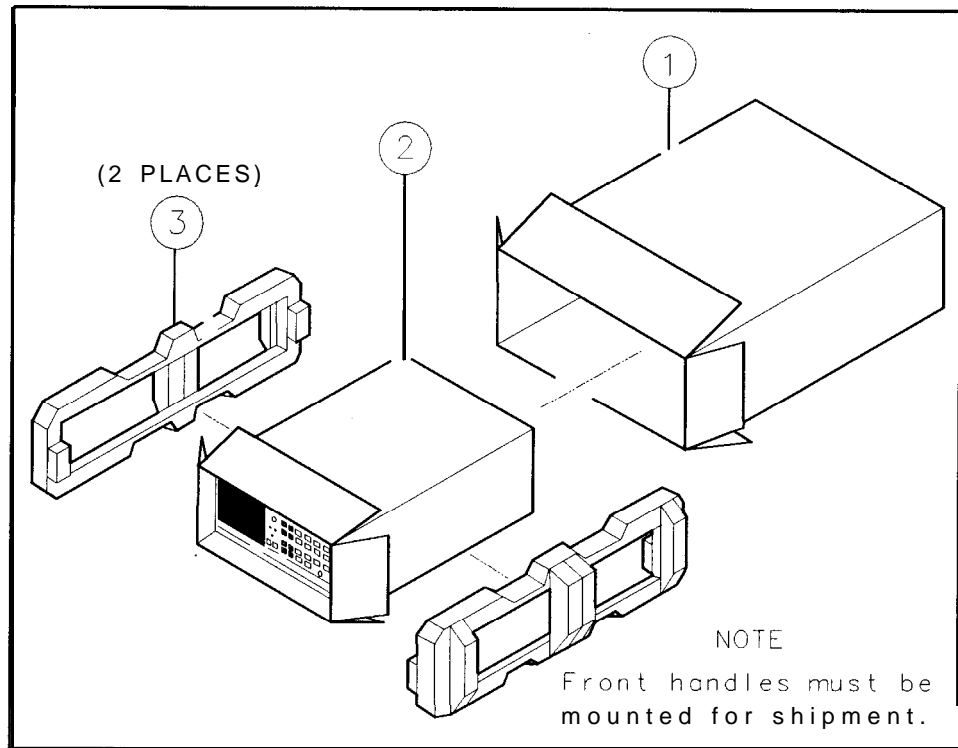
---

To protect the front panel, the front handles must be attached to each instrument section before shipping.

---

It is recommended that the original factory packaging materials be retained for use when shipping the instrument. Because of the combined weight of the two instrument sections is approximately 50 kg (112 lbs), do not package the instrument sections fastened together as one unit. The instrument sections must be separated and packaged in separate containers. Pack each section in the original factory packaging materials if they are available. See Figure 1-9. Refer to Table 1-2 for the part numbers of items listed in the figure. Original materials are available through any Hewlett-Packard office.





**Figure I-9. Factory Packaging Materials for Each Section**

**Table 1-2. Factory Packaging Materials**

<b>Item</b>	<b>Description</b>	<b>Qty</b>	<b>HP Part Number</b>
1	Outer Box	1	9211-4487
2	Inner Box	1	5180-2320
3	Inner Foam Pad	2	5180-2319

## Other Packaging

### Caution

---

Instrument damage can result from using packaging materials other than those specified. Never use styrene pellets as packaging materials. They do not adequately cushion the instrument or prevent it from shifting in the carton. They cause instrument damage by generating static electricity.

---

### Note

---

To protect the front panel, the front handles should be attached to each instrument section before shipping.

---

You can repackage the instrument with commercially available materials, as follows:

1. Separate the two instrument sections.
2. Attach a completed service tag to each of the sections.
3. Wrap each section in antistatic plastic to reduce the possibility of damage caused by electrostatic discharge.
4. Use a strong shipping container. A double-walled, corrugated cardboard carton of 159-kg (350-lb) bursting strength is adequate. The carton must be large enough and strong enough to accommodate the instrument. Allow at least 3 to 4 inches on all sides of the instrument for packing material.
5. Surround the instrument with 3 to 4 inches of packing material, to protect the instrument and prevent it from moving in the carton. If packing foam is not available, the best alternative is S.D.-240 Air Cap from Sealed Air Corporation (Hayward, California 94545). Air Cap looks like a plastic sheet filled with 1-1/4 inch air bubbles. Use the pink (antistatic) Air Cap to reduce static electricity. Wrapping the instrument section several times in this material should both protect the instrument section and prevent it from moving in the carton.
6. Seal the carton with strong nylon adhesive tape.
7. Mark the carton FRAGILE, HANDLE WITH CARE.
8. Retain copies of all shipping papers.

---

## **Sales and Service Offices**

Hewlett-Packard Sales and Service Offices provide worldwide support for Hewlett-Packard products. To obtain servicing information or to order replacement parts, contact the nearest Hewlett-Packard Sales and Service Office listed in **Table 1-3**. In any correspondence, always provide essential information, which includes model numbers, serial numbers, or assembly part numbers.

**Table 1-3. Hewlett-Packard Sales and Service Offices**

**US FIELD OPERATIONS  
HEADQUARTERS**

Hewlett-Packard Company  
19320 Pruneridge Avenue  
Cupertino, CA 95014, USA  
**(800) 752-0900**

**California**

Hewlett-Packard Co.  
1421 South Manhattan Ave.  
Fullerton, CA 92631  
(714) 999-6700

Hewlett-Packard Co.  
301 E. Evelyn  
Mountain View, CA 94041  
(415) 694-2000

**Colorado**

Hewlett-Packard Co.  
24 Inverness Place, East  
Englewood, CO 80112  
**(303) 649-5000**

**Georgia**

Hewlett-Packard Co.  
2000 South Park Place  
Atlanta, GA 30339  
(404) 955-1500

**Illinois**

Hewlett-Packard Co.  
5201 Tollview Drive  
Rolling Meadows, IL 60008  
(708) 255-9800

**New Jersey**

Hewlett-Packard Co.  
150 Green Pond Road  
Rockaway, NJ 07866  
(201) 627-6400

**Texas**

Hewlett-Packard Co.  
330 E. Campbell Rd.  
Richardson, TX 75081  
(214) 231-6101

**EUROPEAN OPERATIONS  
HEADQUARTERS**

Hewlett-Packard S.A.  
150, Route du Nant-d'Avril  
12 17 Meyrin 2/Geneva  
Switzerland  
(41 22) 780.8111

**France**

Hewlett-Packard France  
1 Avenue Du Canada  
Zone D'Activite De Courtaboeuf  
F-91947 Les Ulis Cedex  
France  
(33 1) 69 82 60 60

**Germany**

Hewlett-Packard GmbH  
Hewlett-Packard Strasse  
6380 Bad Homburg v.d.H  
Germany  
(49 6172) 16-0

**Great Britain**

Hewlett-Packard Ltd.  
Eskdale Road, Winnersh Triangle  
Wokingham, Berkshire RG1 1 5DZ  
England  
(44 734) 696622

**INTERCON OPERATIONS  
HEADQUARTERS**

Hewlett-Packard Company  
3495 Deer Creek Rd.  
Palo Alto, California 94304-1316  
(415) 857-5027

**Australia**

Hewlett-Packard Australia Ltd.  
31-41 Joseph Street  
Blackburn, Victoria 3130  
(61 3) 895-2895

**Canada**

Hewlett-Packard (Canada) Ltd.  
17500 South Service Road  
Trans-Canada Highway  
Kirkland, Quebec H9J 2X8  
Canada  
(514) 697-4232

**Japan**

Yokogawa-Hewlett-Packard Ltd.  
1-27-15 Yabe, Sagamihara  
Kanagawa 229, Japan  
(81 427) 59-1311

**China**

China Hewlett-Packard, Co.  
38 Bei San Huan Xi Road  
Shuang Yu Shu  
Hai Dian District  
Beijing, China  
(86 1) 256-6888

**Singapore**

Hewlett-Packard Singapore  
Pte. Ltd.  
1150 Depot Road  
Singapore 0410  
(65) 273 7388

**Taiwan**

Hewlett-Packard Taiwan  
8th Floor, H-P Building  
337 Fu Hsing North Road  
Taipei, Taiwan  
(886 2) 712-0404

## Installation

---

### What You'll Find in This Chapter

This chapter describes the process of getting the HP 8568B spectrum analyzer ready to use. The process includes initial inspection and installing the unit. Before installing the HP 8568B, be sure to read all the warnings, cautions, and notes listed in “Safety” below.

- If you are *not* installing the instrument in a rack, refer to “To Install Standard Instruments” in this chapter.
- To install Option 908 or 913 instruments, refer to “To Install Option 908 and 913 Instruments” in this chapter.
- To install Option 010 instruments, refer to “To Install Option 010 Instruments” in this chapter.

Safety .....	2-1
Preparation for Use .....	2-3
Initial Inspection .....	2-3
Operating Environment .....	2-3
Power Requirements .....	2-3
To Install Standard Instruments .....	2-4
To Install Option 908 and 913 Instruments .....	2-7
To Install Option 010 Instruments .....	2-13
To Set the HP-IB Address .....	2-20
From the Front Panel .....	2-20
From the HP-IB Bus .....	2-20
From the HP-IB Address Switch .....	2-20

### Safety

Before installing or operating this instrument, you should familiarize yourself with the safety marking on the instrument and the safety instructions in the manuals. The instrument has been manufactured and tested in accordance with international safety standards. However, to ensure safe operation of the instrument and personal safety of the user, the cautions and warnings in the manuals must be followed. Refer to the summary of the safety information located near the front of this manual.

---

**Warning** Failure to ground the instrument properly can result in personal injury. Before turning on the HP 8568B, you must connect its protective earth terminals to the protective conductor of the main power cable. Insert the main power cable plug only into a socket outlet that has a protective earth contact. DO NOT defeat the earth-grounding protection by using an extension cable, power cable, or autotransformer without a protective ground conductor. If you are using an autotransformer, make sure its common terminal is connected to the protective earth contact of the power source outlet socket.

---

**Warning** Power is still applied to this instrument with the **LINE** switch in STANDBY. There is no Off position for the **LINE** switch. To remove power from the instrument, it is necessary to remove the power cable from the rear of each instrument section.

---

**Warning** Because the combined weight of the instrument sections is approximately 112 pounds, use appropriate caution when moving or installing.

---

**Caution** Before switching on this instrument, make sure it is adapted to the voltage of the ac power source as described in the following procedures. Failure to set the ac power input to the correct voltage could cause damage to the instrument when the ac power cable is plugged in.

---

---

## Preparation for Use

### Initial Inspection

Inspect the shipping container for damage. If the shipping container or cushioning material is damaged, keep it until you have verified that the contents are complete and you have tested the instrument mechanically and electrically.

Contents of the shipment are shown in Figure 1-1. If the contents are incomplete or if the instrument does not pass the operation verification tests (procedures are provided in Chapter 5), notify the nearest Hewlett-Packard office. If the shipping container is damaged or the cushioning material shows signs of stress, also notify the carrier. Keep the shipping materials for the carrier's inspection. The HP office will arrange for repair or replacement without waiting for a claim settlement.

If the shipping container and cushioning material are in good condition, retain them for possible future use. You may wish to ship the instrument to another location or to return it to Hewlett-Packard for service. Chapter 1, "General Information," provides instructions for repackaging and shipping the instrument.

### Operating Environment

The instrument may be operated in environments within the following limits:

Temperature . . . . . 0 °C to +55 °C  
Humidity . . . . . 5% to 90% at 0 °C to 40 °C  
Altitude . . . . . up to 4,572 meters (15,000 feet)

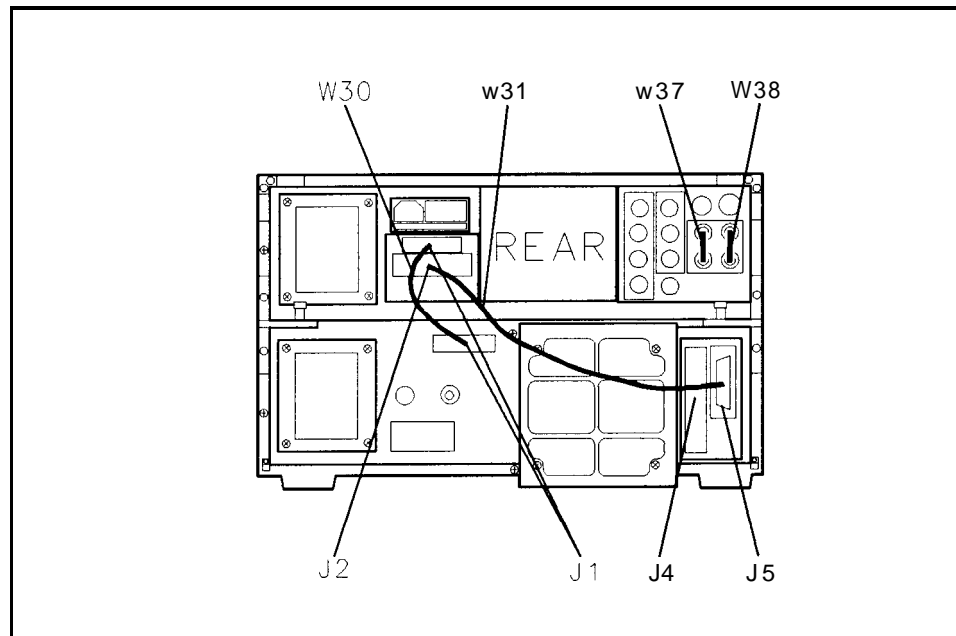
The instrument should be protected from temperature extremes which might cause condensation within the instrument.

### Power Requirements

The HP 8568B requires a power source of 100, 120, 220, or 240 Vac + 5% -10%, 50-60 Hz. Power consumption for the instrument sections combined is less than 650 VA.

## To Install Standard Instruments

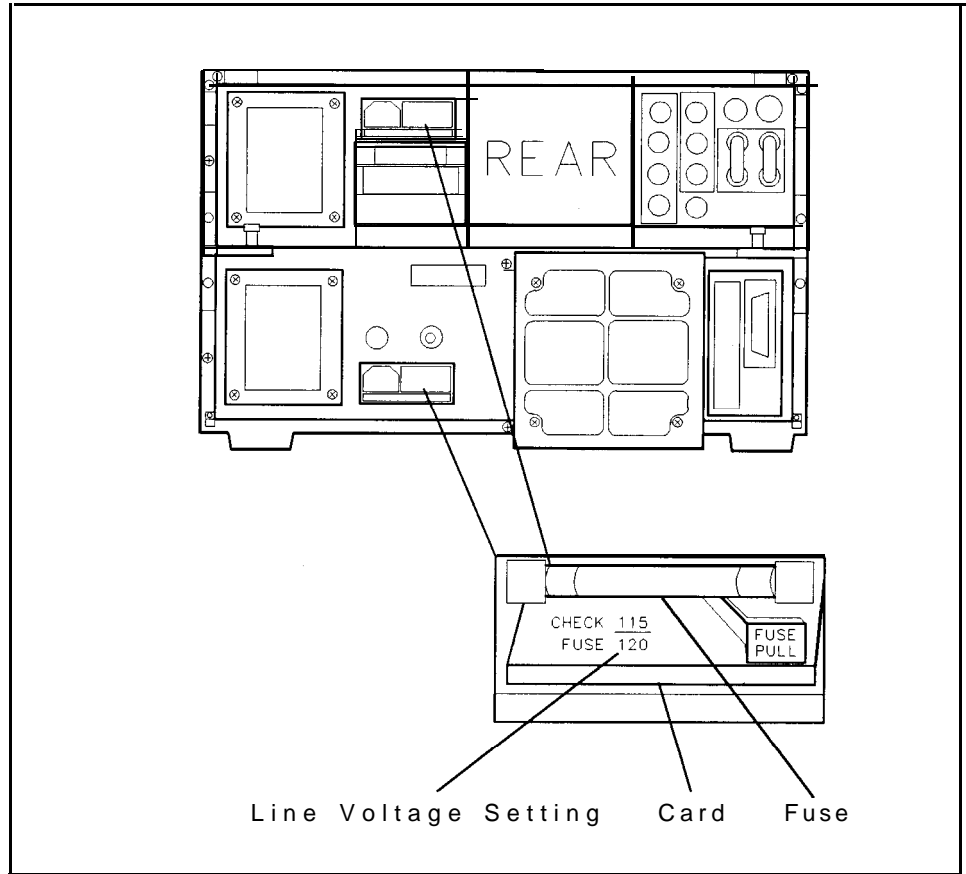
1. Place the RF section right-side up on a level work surface.
2. Place the IF-Display section on top of the RF section, offset far enough forward to allow the RF section hooks to engage the IF-Display section frame when slid back. Slide the IF-Display section back until the RF section hooks catch the bottom of the IF-Display section.
3. Line up the rear-panel lock feet, and tighten the thumb screws on both lock feet.
4. Connect cable W31 between IF-Display section J2 and RF section J6. See Figure 2-1.
5. Connect cable W30 between IF-Display section J1 and RF section J1.



**Figure 2- 1. Rear-Panel Cable Connections**

6. Determine the ac line voltage to be used.
7. On each instrument section, slide open the power module's fuse cover (located on the rear panel). See Figure 2-2. Push the fuse-pull lever to the left. Remove the fuse.





**Figure 2-2. Voltage Selector Board and Fuse**

8. On each power-line module, check the voltage selector card for the proper ac line voltage. The card's voltage setting should be visible on the card. See Figure 2-2. If you need to select a different ac line voltage setting, perform the following:
  - a. Use needle-nose pliers to pull out the voltage-selector card. Rotate the card so that the voltage label corresponding to the actual line voltage will appear in the module window.
  - b. Push the card back into its slot.

9. Check the fuse to make sure it is of the correct rating and type for the ac line voltage selected. Fuse ratings for different line voltages are indicated in the following table.

<b>ac Line Voltage</b>	<b>IF-Display Section</b>	<b>RF Section</b>
100/120	2 amperes FAST BLO HP part number 2110-0002	2 amperes FAST BLO HP part number 2110-0002
220/240	1 ampere SLOW BLO HP part number 2110-0007	1 amperes SLOW BLO HP part number 2110-0007

10. Insert the correct fuse, and push the fuse-pull lever into its normal right-hand position.
11. Connect the ac line power cords.
12. If the HP 8568B will be remotely controlled, refer to “To Set the HP-IB Address” in this chapter.
13. When you turn your instrument on for the first time, you should perform the verification tests in Chapter 5. Refer to the *HP 8568B Operation and Programming Manual* for instructions on using the instrument.

**Note**

---

Cables W37 and W38 are removed for connection of the IF and VIDEO ports to the HP 85650A Quasi-Peak adapter. If the instrument is used without the HP 85650A Quasi-Peak adapter, W37 and W38 must be connected for the instrument to operate.

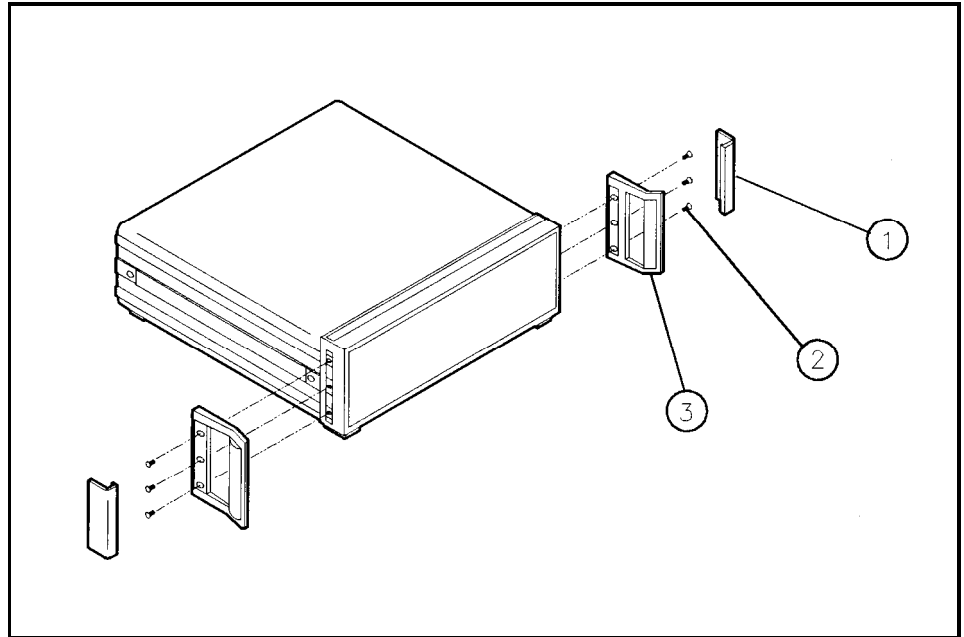
---

---

## To Install Option 908 and 913 Instruments

Option 908 contain the necessary hardware to mount the HP 8568B without handles in a rack of 482.6 mm (19 in) spacing. Option 913 mounts the HP 8568B with handles.

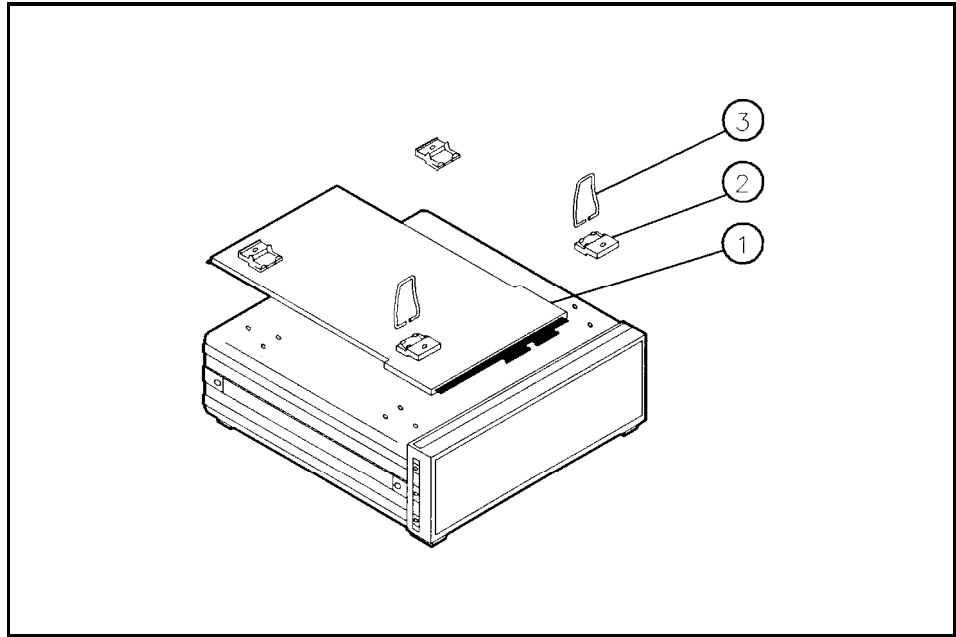
1. Remove the front-handle trim from each side of the RF and IF-Display sections. See callout 1 in Figure 2-3.



**Figure 2-3. Removing the Handles and Trim**

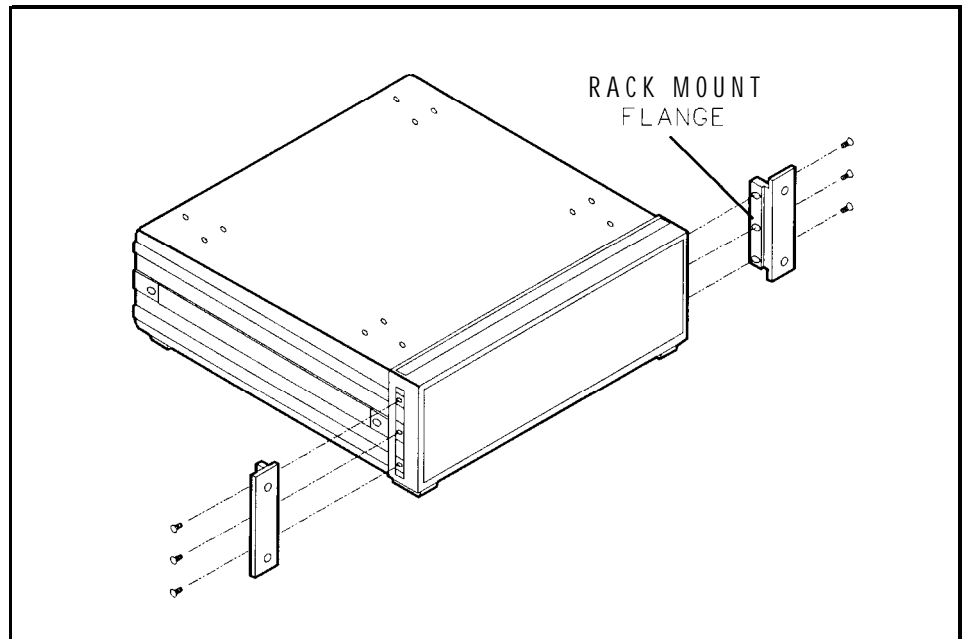
2. Remove the three screws securing each handle, and remove the handles. See callouts 2 and 3 in Figure 2-3.

3. The information-card tray located on the bottom of the RF-Display section requires a space of approximately 2 cm below the instrument when rack mounting. See callout 1 in Figure 2-4. (No filler strip is provided.) If you wish to remove the information-card tray, remove the feet and tilt stands. See callouts 2 and 3 in Figure 2-4.



**Figure 2-4. Removing the Information-Card Tray**

4. On each instrument section, attach the rack mount flange (and front handles for Option 913) using the three M4x0.7x16 pan-head screws provided in the kit. See Figure 2-5.



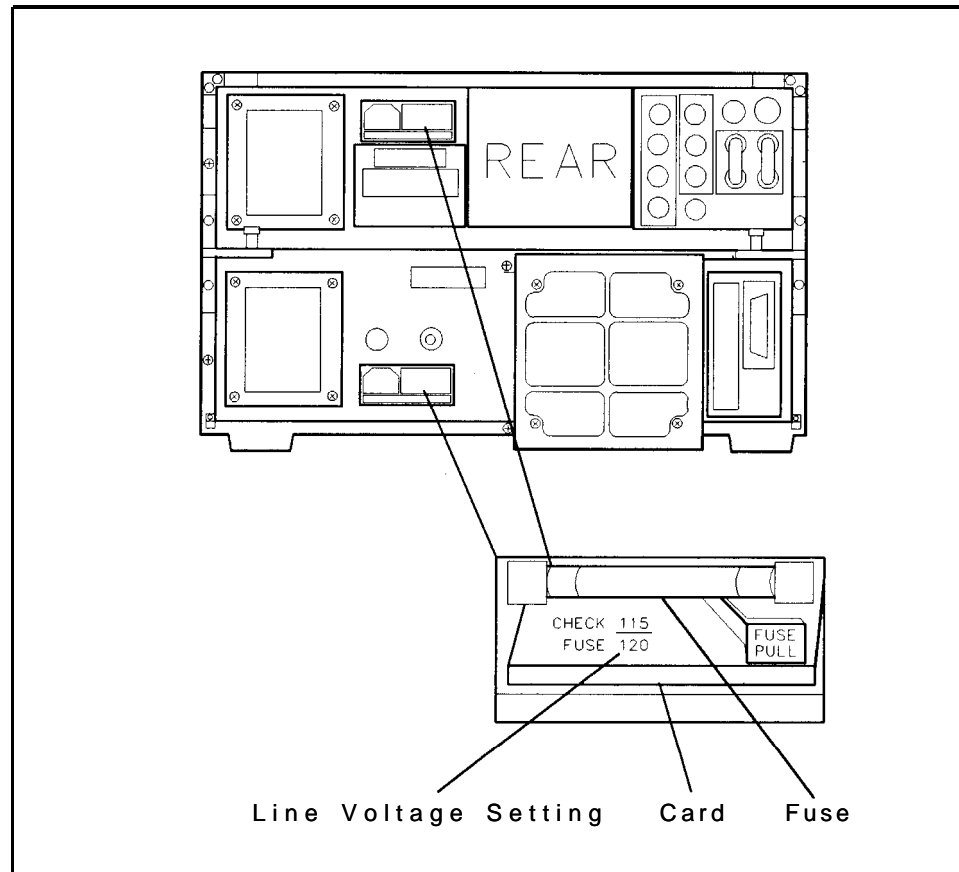
**Figure 2-5. Attach the Rack Mount Flanges**

5. Determine the ac line voltage to be used.

6. On each instrument section, slide open the power module's fuse door (located on the rear panel). See Figure 2-6. Push the fuse-pull lever to the left. Remove the fuse.

**Note**

Although Figure 2-6 shows the two instrument sections connected together, they will be mounted separately in the rack.



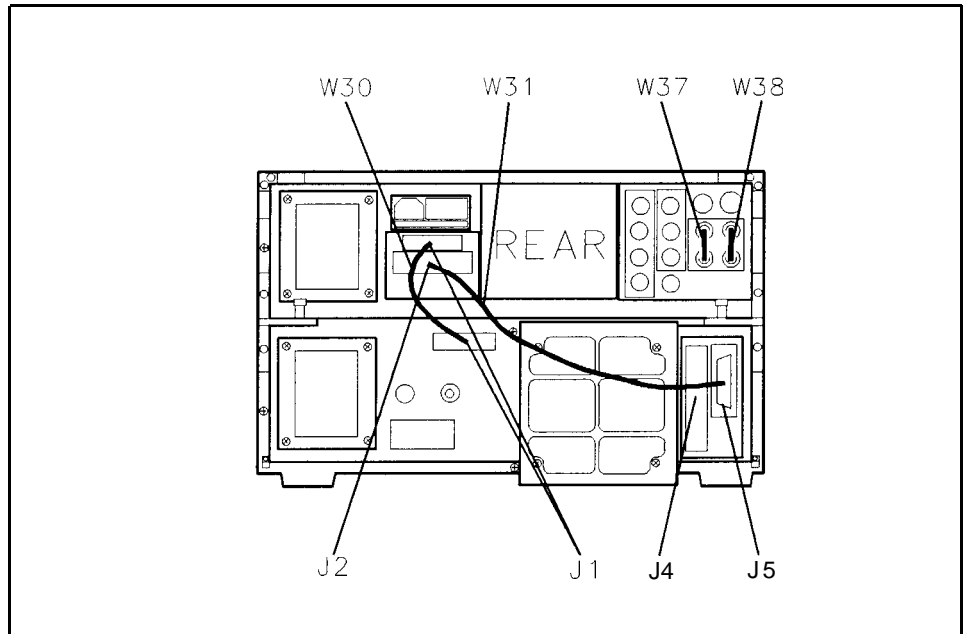
**Figure 2-6. Voltage Selector Board and Fuse**

7. On each power-line module, check the voltage selector card for the proper ac line voltage. The card's voltage setting should be visible on the card. See Figure 2-6. If you need to select a different ac line voltage setting, perform the following:
  - a. Use needle-nose pliers to pull out the voltage-selector card. Rotate the card so that the voltage label corresponding to the actual line voltage will appear in the module window.
  - b. Push the card back into its slot.

8. Check the fuse to make sure it is of the correct rating and type for the ac line voltage selected. Fuse ratings for different line voltages are indicated in the following table.

ac Line Voltage	IF-Display Section	RF Section
100/120	2 amp F <del>AST</del> BLO HP part number 2110-0002	2 amp F <del>AST</del> BLO HP part number 2110-0002
220/240	1 amp S <del>LOW</del> BLO HP part number 2 110-0007	1 amp S <del>LOW</del> BLO HP part number 2 110-0007

9. Insert the correct fuse, and push the fuse-pull lever into its normal right-hand position.
10. Bolt each instrument section into the rack from its rack mount flange. Place the IF-Display section just above the RF section.
11. Connect cable W31 between IF-Display section J2 and RF section J6. See Figure 2-7.
12. Connect cable W30 between IF-Display section J1 and RF section J1.



**Figure 2-7. Rear-Panel Cable Connections**

13. Connect the ac line power cords.
14. If the HP 8568B will be remotely controlled, refer to “To Set the HP-IB Address” in this chapter.
15. When you turn your instrument on for the first time, you should perform the verification tests in Chapter 5. Refer to the *HP 8568B Operation and Programming Manual* for instructions on using the instrument.

**Note**

---

Cables W37 and W38 are removed for connection of the IF and VIDEO ports to the HP 85650A Quasi-Peak adapter. If the instrument is used without the HP 85650A Quasi-Peak adapter, W37 and W38 must be connected for the instrument to operate.

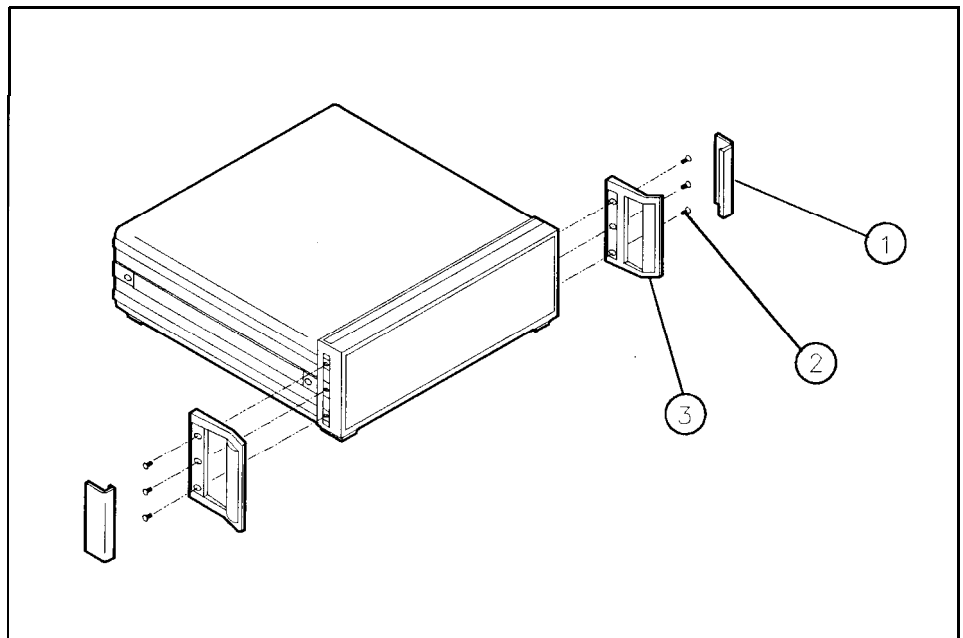
---



## To Install Option 010 Instruments

Option 010 mounts the HP 8568B on slides in a rack of 482.6 mm (19 in) spacing. (Option 010 also contains adapters for mounting in non-HP racks.)

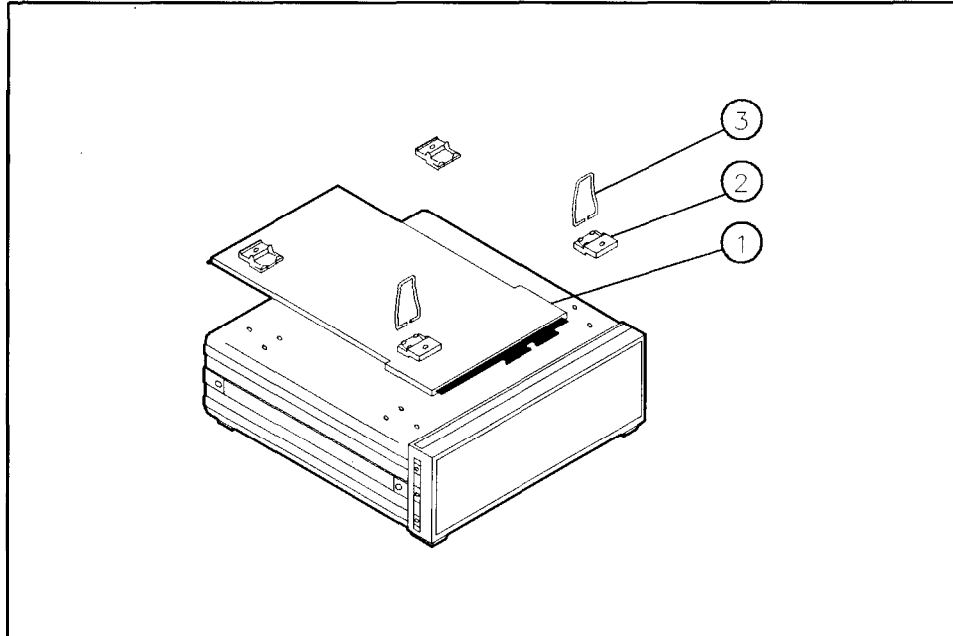
1. Remove the strap handle on the IF-Display section's left side panel.
2. Remove the right-rear lock foot, and the right-rear top foot from the IF-Display section. Slide the right-side cover off to the rear. Install the right-side cover included in the kit, and replace the rear feet.
3. Remove the front-handle trim from each side of the RF and IF-Display sections. See callout 1 in Figure 2-8.



**Figure 2-8. Removing the Handles and Trim**

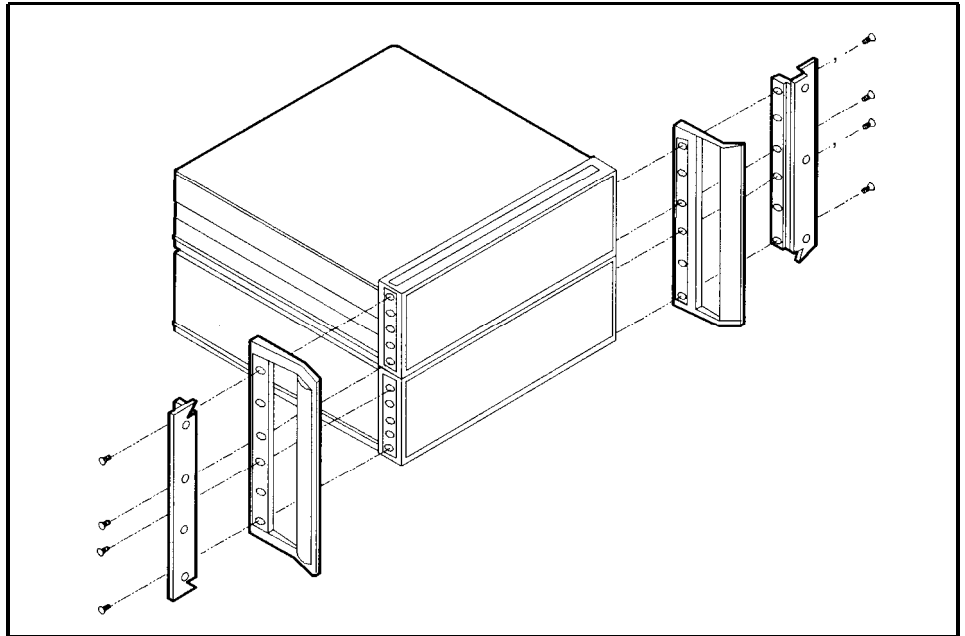
4. Remove the three screws securing each handle, and remove the handles. See callouts 2 and 3 in Figure 2-8.

5. The information-card tray located on the bottom of the RF-Display section requires a space of approximately 2 cm below the instrument when rack mounting. See **callout 1** in Figure 2-9. (No filler strip is provided.) If you wish to remove the information-card tray, remove the feet and tilt stands. See **callouts 2 and 3** in Figure 2-9.



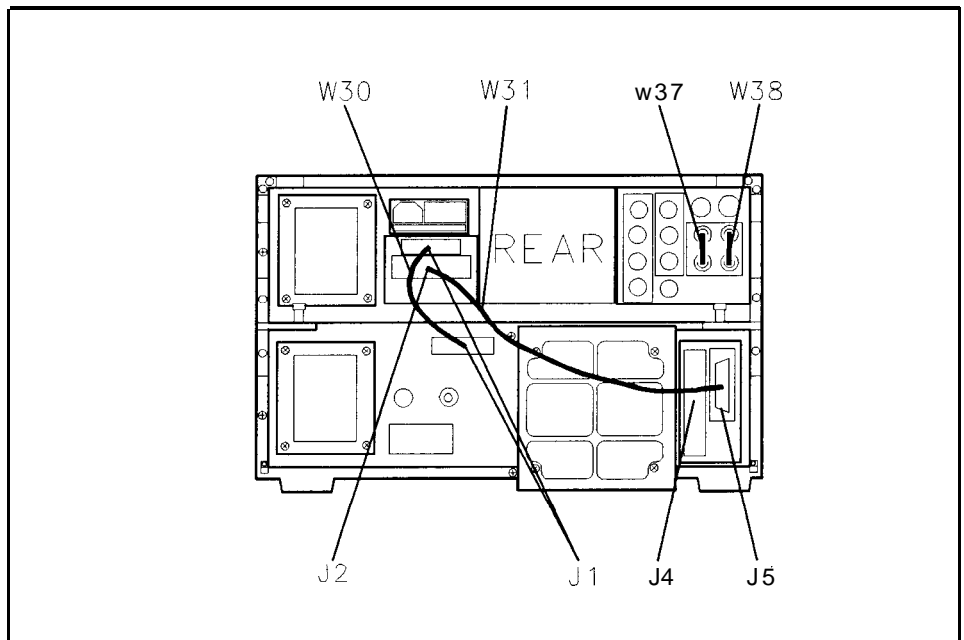
**Figure 2-9. Removing the Information-Card Tray**

6. Place the RF section right side up on a level work surface.
7. Place the IF-Display section on top of the RF section, offset far enough forward to allow the RF section hooks to engage the IF-Display section frame when slid back. Slide the IF-Display section back until the RF section hooks catch the bottom of the IF-Display section.
8. Line up the rear-panel lock feet, and tighten the thumb screws on both lock feet.
9. Attach the 10-1/2 inch handles with flanges as shown in Figure 2-10.



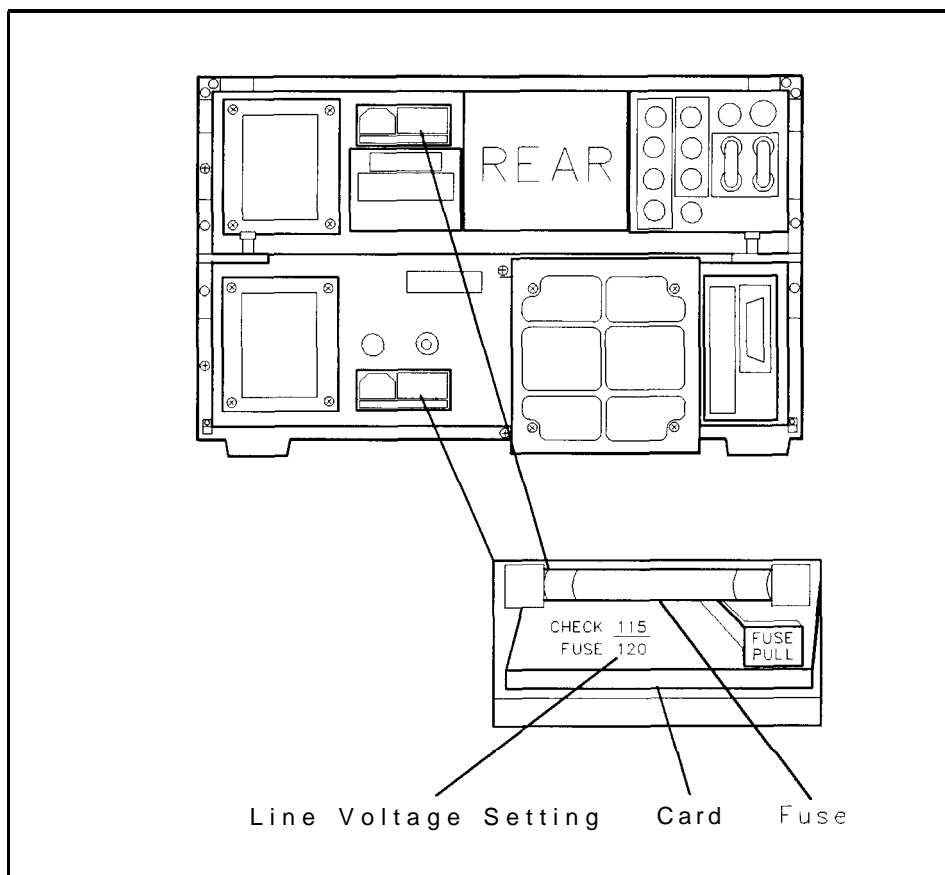
**Figure 2-10. Attaching the Rack Handles and Flanges**

10. Connect cable W31 between IF-Display section J2 and RF section J6. See Figure 2-1 1.
11. Connect cable W30 between IF-Display section J1 and RF section J1.



**Figure 2-1 1. Rear-Panel Cable Connections**

12. Determine the ac line voltage to be used.
13. On each instrument section, slide open the power module's fuse door (located on the rear panel). See Figure 2-12. Push the fuse-pull lever to the left. Remove the fuse.



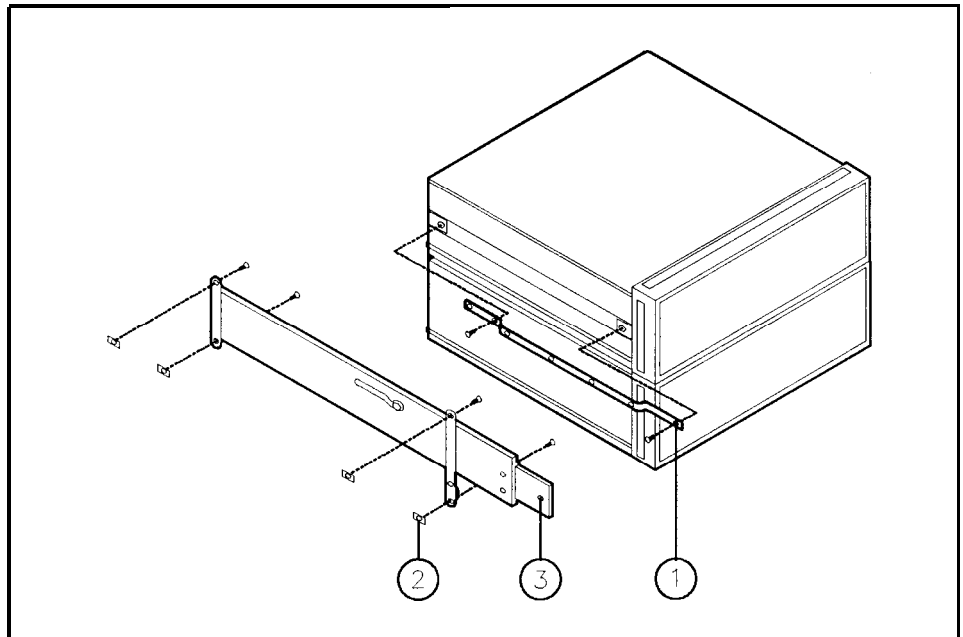
**Figure 2-12. Voltage Selector Board and Fuse**

14. On each power-line module, check the voltage selector card for the proper ac line voltage. The card's voltage setting should be visible on the card. See Figure 2-11. If you need to select a different ac line voltage setting, perform the following:
  - a. Use needle-nose pliers to pull out the voltage-selector card. Rotate the card so that the voltage label corresponding to the actual line voltage will appear in the module window.
  - b. Push the card back into its slot.

15. Check the fuse to make sure it is of the correct rating and type for the ac line voltage selected. Fuse ratings for different line voltages are indicated in the following table.

<b>ac Line Voltage</b>	<b>IF-Display Section</b>	<b>RF Section</b>
100/120	2 amperes FAST BLO HP part number 2110-0002	2 amperes FAST BLO HP part number 2110-0002
220/240	1 ampere SLOW BLO HP part number 2110-0007	1 ampere SLOW BLO HP part number 2110-0007

16. Insert the correct fuse, and push the fuse-pull lever into its normal right-hand position.
17. Attach one slide inner-member bracket to each side of the instrument using two M5x0.8x10 pan-head screws per side. See callout in 1 of Figure 2-13.



**Figure 2-13. Attaching the Inner-Member Brackets**

18. Mounting in an HP System Rack Cabinet:
  - a. Insert two Unistrut nuts, callout 2 in Figure 2-13, into each of the two vertical columns on the left side of the system cabinet. Insert two Unistrut nuts into each of the two vertical columns on the right side of the system cabinet.
  - b. Bolt an outer slide mount to the Unistrut nuts in each side of the systems cabinet, using four M5x0.8x12 pan-head screws per side. See callout in 3 of Figure 2-13.

- c. Expand the outer slide mounts to their full length. Mount the instrument onto the system cabinet by bolting the outer slide mount to the inner-member bracket on the instrument, using three M5x0.8x12 flat-head screws per side.

---

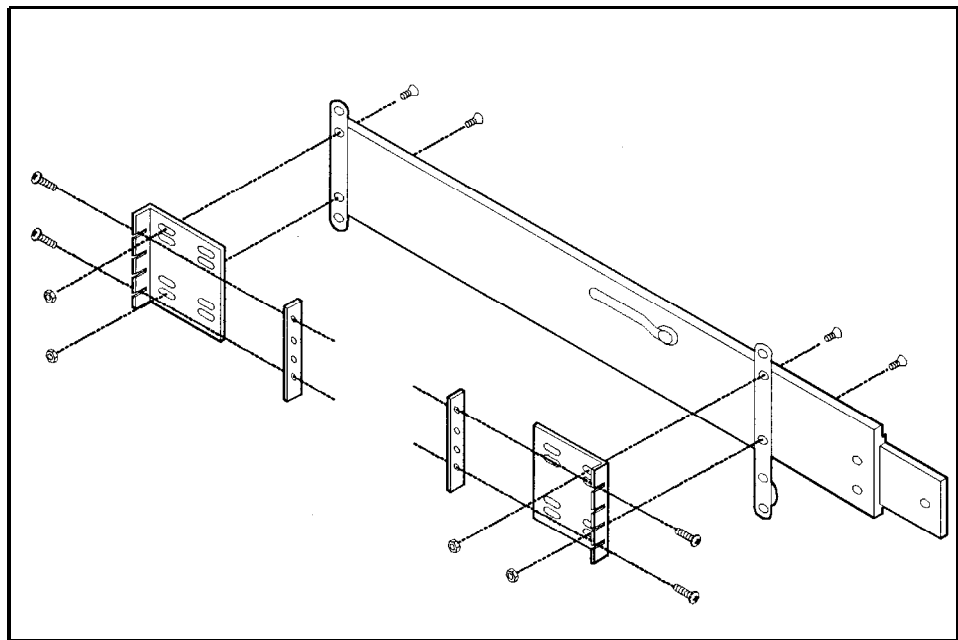
**Note**

If any binding is encountered in the slides after mounting, it will be necessary to slightly move the Unistrut nuts. While supporting the instrument, loosen one of the Unistrut nuts. Adjust the slides slightly until they operate freely. Retighten the Unistrut nut.

---

19. Mounting in a Non-HP System Rack Cabinet:

- a. Using hole pattern "B," see Figure 2-14, attach one adapter bracket to the front of each outer slide mount, using two M4x0.8x12 flat-head screws and nuts per bracket.



**Figure 2-14. Slide Adapter for Non-HP System Rack Cabinets**

- b. Using hole pattern “B,” attach one adapter bracket to the rear of each outer slide mount, using two M5x0.8x12 pan-head screws and nuts per bracket.
- c. Bolt an outer slide mount to each side of the system rack cabinet using M5x0.8x12 pan-head screws. Use the bar nuts provided in the kit if the rack mounting strips have through-holes.

---

**Note**

If any binding is encountered in the slides after mounting, it will be necessary to slightly move the adapter brackets. While supporting the instrument, loosen one of the adapter brackets. Adjust the slides slightly until they operate freely. Retighten the adapter brackets.

---

20. Connect the ac line power cords.
21. If the HP 8568B will be remotely controlled, refer to “1b Set the HP-IB Address” in this chapter.
22. When you turn your instrument on for the first time, you should perform the verification tests in Chapter 5. Refer to the *HP 8568B Operation and Programming Manual* for instructions on using the instrument.

---

**Note**

Cables W37 and W38 are removed for connection of the IF and VIDEO ports to the HP 85650A Quasi-Peak adapter. If the instrument is used without the HP 85650A Quasi-Peak adapter, W37 and W38 must be connected for the instrument to operate.

---

---

## To Set the HP-IB Address

The HP-IB address is used in remote programming to identify the instrument. The decimal address is preset at the factory to 18 (ASCII 2R). Addresses may be decimal 0 through 30. The HP-IB address can be changed manually from the instrument's front panel, remotely via the HP-IB bus, or by setting the instrument's internal address switch.

The internal address switch is comprised of five switches located on the A15 controller assembly in the RF section. These switches (A15SW1 A2 – A6) determine the HP-IB address to be used at instrument "power-up." These switches are preset at the factory to binary 11111 (decimal 31), which sets the instrument to the HP-IB address stored in RAM memory (or to the default value 18, if the contents of RAM memory are ever lost due to a battery failure, and so on). If the switches are set to a value other than 31, the instrument will always reset the HP-IB address to this value at power-up.

### From the Front Panel

To enter a new address from the front panel:

1. Press **(SHIFT)** **(ZOOM)**<sup>P</sup>.
2. Use the number keypad to enter the new decimal address.
3. Terminate the entry by pressing **(Hz)**. This changes the current HP-IB address and stores the new address value in RAM memory.

### From the HP-IB Bus

To enter a new address via the HP-IB bus, refer to the KSP command in the *HP 8568B Operating and Programming Manual*.

### From the HP-IB Address Switch

#### Warning

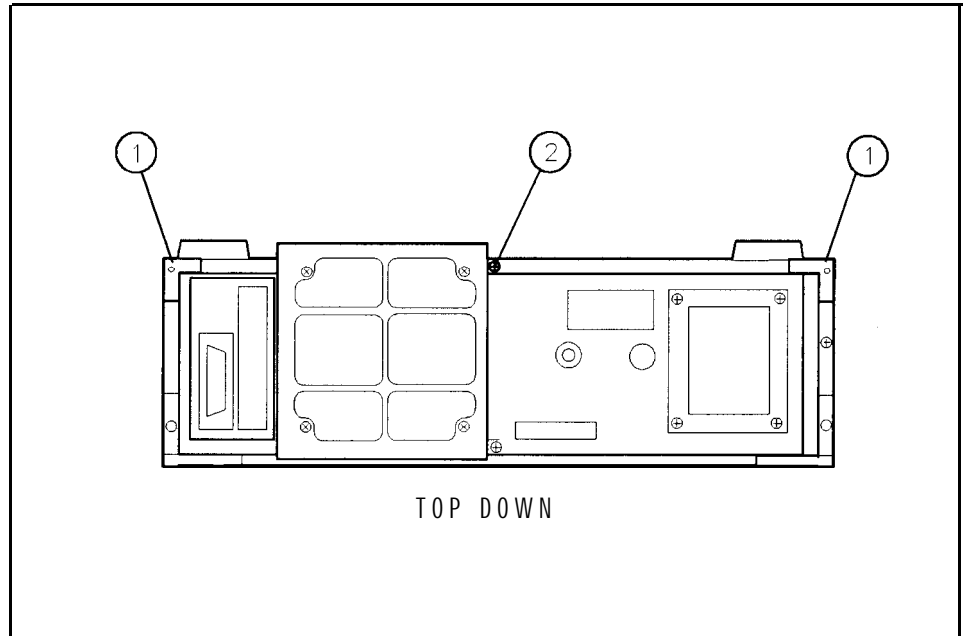
---

**Changing the HP-IB address by resetting the address switch on the A15 Controller assembly requires the removal of the RF section's protective bottom cover. This should be performed only by a qualified service person. Refer all such servicing of the instrument to qualified service persons.**

---

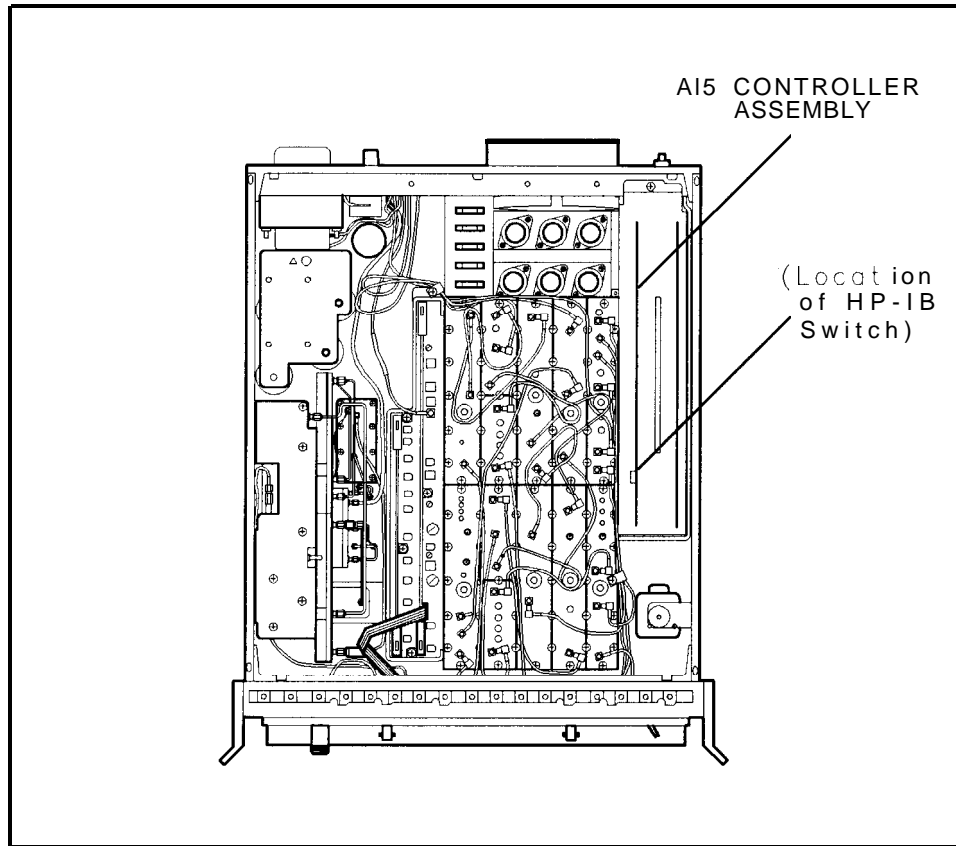


1. Disconnect the ac line cord from the RF section.
2. Using a screw driver, remove the two RF-section rear panel bumpers. See callout 1 in Figure 2-15.



**Figure 2-15. Removing the Bottom Cover**

3. Back out screw 2 (see Figure 2-15) and the cover unseats from the front frame. When the cover is clear of the rear frame, remove the cover by lifting up.
4. Remove the cover from the AI5 controller assembly. See Figure 2-16 to locate the assembly.



**Figure 2-16. Location of A15 Controller Assembly**

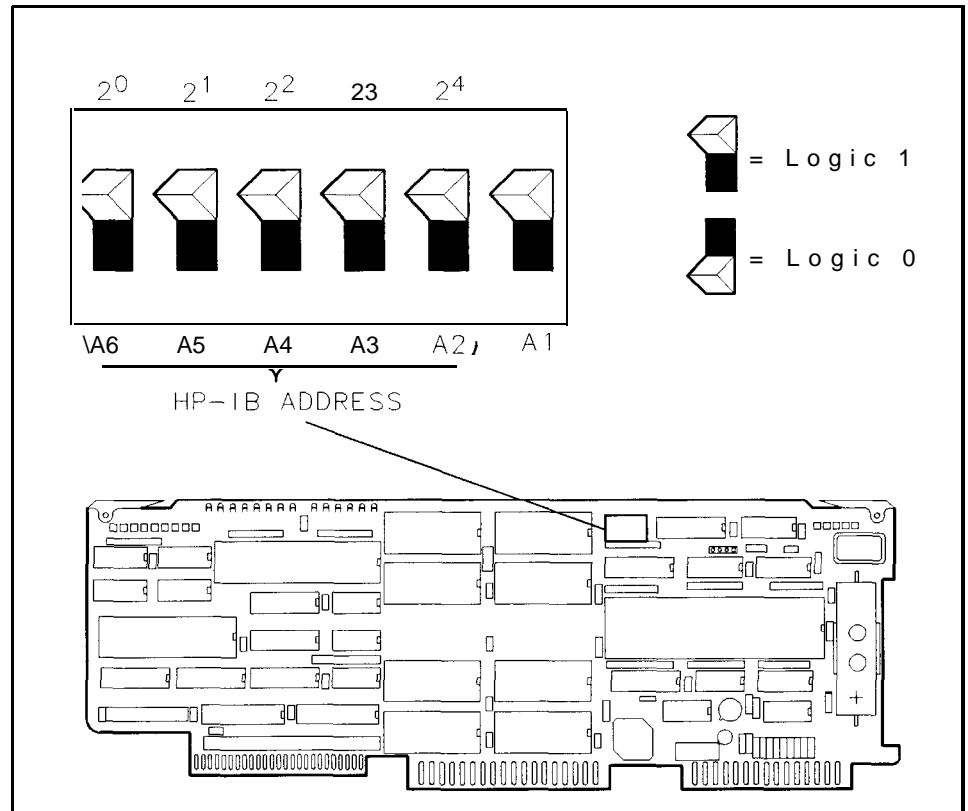
5. Locate the address switch A15SW1 as shown in Figure 2-16 and Figure 2-17. Change the switch's setting according to the information given below.

The switch comprises six segments, A1 through A6. A1 must always be set to logic 1. Each of the remaining five segments, A2 through A6, corresponds to one of the digits of a 5-digit binary equivalent of the address. See Figure 2-17. The switch is preset at the factory to binary 11111 (decimal 31). This is a special code which commands the instrument to use the last input address (stored in memory) either from the front panel or from HP-IB.

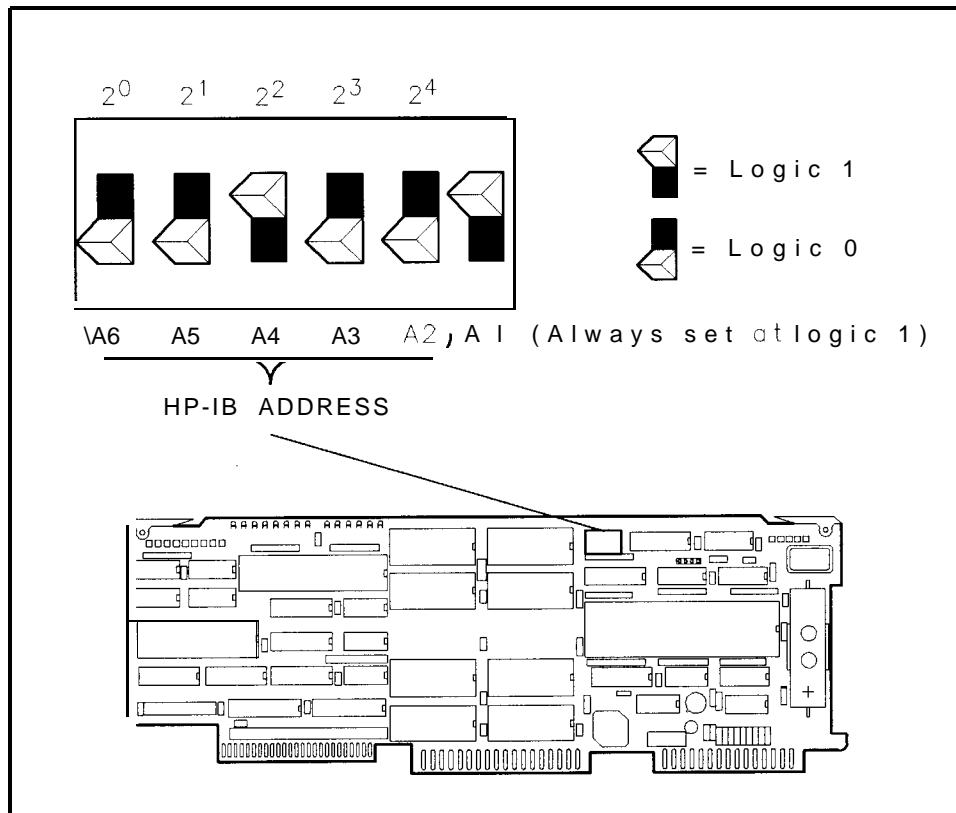
You can reset the switch to correspond to the binary equivalent of any desired decimal value indicated in Table 2-1. For example, if the desired address is 4, the A15SW1 would be set as shown in Figure 2-18.

**Note**

Observe that although  $2^0$  is the far-right digit in Table 2-1,  $2^0$  is represented by the far-left segment of the address switch.



**Figure 2-17. Address Switch (Shown in Factory Preset Position)**



**Figure 2-18. Address Switch Set to 4**

6. Replace the cover on the A15 controller assembly.
7. Replace the RF section's bottom cover.

**Table 2-1. Decimal and Binary Address Codes**

<b>Decimal Value</b>	<b>5-Bit Binary Equivalen</b>
<b>0</b>	<b>00000</b>
1	00001
2	00010
3	00011
4	00100
5	00101
6	00110
7	00111
8	01000
9	01001
10	01010
11	01011
12	01100
13	01101
14	01110
15	01111
16	10000
17	10001
18	10010
19	10011
20	10100
21	10101
22	10110
23	10111
24	11000
25	11001
26	11010
27	11011
28	11100
29	11101
30	11110

# Specifications

---

## Introduction

Unless noted, all specifications are for AUTOCOUPLED FUNCTION operation. Where specifications are subject to minimization with the error-correction routine, corrected limits are given unless noted. Nominal values provide useful, but nonwarranted, information about functional performance.

---

## Frequency

**Measurement Range** 100 Hz to 1500 MHz through two RF inputs: 100 Hz to 1500 MHz dc coupled, and 100 kHz to 1500 MHz ac coupled.

### Displayed Values

#### Frequency Reference Error and Accuracy

	Accuracy
<b>Aging rate</b>	$<1 \times 10^{-9}/\text{day}$ and $<2.5 \times 10^{-7}/\text{year}$
<b>Temperature stability</b>	$<7 \times 10^{-9}$ over 0 °C to 55 °C range (25 °C reference)

**Note** The term **frequency reference error**, when used later in this manual, is defined as:  $\pm$  [aging rate/day x number of days since calibration + temperature stability].

**Note** When the analyzer is in STANDBY, the frequency reference temperature is maintained at a steady state. For more information, see “Warm-Up Time” under “General” in this chapter.

**Note** Changes in line voltage, gravitational field, and other environmental conditions will affect the frequency reference accuracy.

### Center Frequency

#### Range

0 Hz to 1500 MHz

## Readout Accuracy

### Span $\geq 100$ Hz

$\pm(2\%$  of frequency span + frequency reference error x tune frequency + 10 Hz) in AUTO resolution bandwidth after adjusting FREQ ZERO at stabilized temperature, and using the error-correction function, **[SHIFT]** **[FREQUENCY SPAN]** **[KSW]**. Add 30% of the resolution bandwidth setting if error correction is not used.

### Zero Frequency Span

#### Accuracy

Resolution Bandwidth	Frequency Reference Error x Tune Frequency +	Readout Resolution
10 Hz to 300 Hz	10 Hz	1 Hz
1 kHz to 3 kHz	100 Hz	10 Hz
10 kHz to 3 MHz	1 kHz	100 Hz

## Frequency Span

### Range

0 Hz and 100 Hz to 1500 MHz over lo-division CRT horizontal axis; variable in approximately 1% increments. Step keys change span in a 1, 2, 5 sequence.

### Full Span

0 to 1500 MHz is immediately executed with the **[0-1.5 GHz]** or **[INSTR PRESET]** keys.

#### Frequency Span Readout Accuracy

	Accuracy
<b>Range</b>	100 Hz to 1500 MHz
<b>Readout Accuracy</b> Spans $\leq 1$ MHz  Spans $> 1$ MHz	$\pm 5\%$ of the actual frequency separation between two points + 0.5% span  $\pm 2\%$ of the actual frequency separation between two points + 0.5% span
<b>Start or Stop Frequency Readout Accuracy</b>	Center frequency readout accuracy + 1/2 frequency span accuracy

## Frequency Count

Displays the frequency of the signal on whose response the marker is positioned. The marker must be positioned at least 20 dB above the noise or the intersection of the signal with an adjacent signal, and more than four divisions up from the bottom of the display.

Counter resolution is normally a function of frequency span, but may be specified directly using **SHIFT** **=**.

### Frequency Count Accuracy

Frequency Span	Accuracy
≤100 kHz	<±[frequency reference error x displayed frequency + 2 x frequency counter resolution]
>100 kHz to 1 MHz	<±[frequency reference error x displayed frequency + 10 Hz + 2 x frequency counter resolution]
>1 MHz	<±[10 kHz + frequency counter resolution]

## Resolution

### Resolution Bandwidth

3 dB bandwidths of 10 Hz to 3 MHz in a 1, 3, 10 sequence. Bandwidth may be selected manually or coupled to frequency span (AUTO mode).

### 3 dB Bandwidth Accuracy\*

Bandwidth	Accuracy
<b>3</b> MHz	±20%
<b>3</b> kHz to 1 MHz	±10%
10 Hz to 1 kHz	±20%
*30 kHz and 100 kHz bandwidth accuracy figures only applicable ≤90% relative humidity, ≤40 °C.	

### 60 dB to 3 dB Bandwidth Selectivity Ratio\*

Bandwidth	Selectivity
100 kHz to 3 MHz	<15:1
<b>3</b> kHz to 30 kHz	<13:1
30 Hz to 1 kHz	<12:1
*60 dB points on 10 Hz bandwidth are separated by <100 Hz.	



### Resolution Bandwidth (Option 462 6 dB Bandwidths)

6 dB bandwidths of 10 Hz to 3 MHz in 1, 3, 10 sequence. Bandwidth may be selected manually or coupled to frequency span (AUTO mode).

#### 6 dB Bandwidth Accuracy\*

Bandwidths	Accuracy
3 MHz	±20%
30 Hz to 1 MHz	±10%
10 Hz	+50, -0%
*30 kHz and 100 kHz bandwidth accuracy figures only applicable ≤90% relative humidity ≤40°C.	

#### 60 dB/6 dB Bandwidth Selectivity Ratio\*

Bandwidths	Selectivity
100 kHz to 3 MHz	<11:1
30 Hz to 30 kHz	<8:1
*60 dB points on 10 Hz bandwidth are separated by <100 Hz.	

### Resolution Bandwidth (Option 462 Impulse Bandwidths)

Impulse bandwidth of 1 kHz to 3 MHz and 6 dB bandwidth of 10 Hz to 300 Hz in 1, 3, 10 sequence. Bandwidth may be selected manually or coupled to frequency span (AUTO mode).

#### Impulse Bandwidth Accuracy \*

Bandwidth	Accuracy
3 MHz (Impulse Bandwidth <sup>†</sup> )	±20%
1 kHz to 1 MHz (Impulse Bandwidth <sup>†</sup> )	±10%
10 Hz to 300 Hz (6 dB Bandwidth)	+50%, -0%
*30 kHz and 100 kHz bandwidth accuracy figures only applicable ≤90% relative humidity ≤40 °C.	
<sup>†</sup> Applicable in 10 dB/div.	

#### 60 dB/6 dB Bandwidth Selectivity Ratio\*

Bandwidth	Selectivity
100 kHz to 3 MHz	<11:1
30 Hz to 30 kHz	<8:1
*60 dB points on 10 Hz bandwidth are separated by <100 Hz.	

### Bandwidth Shape

Synchronously-tuned, five-pole filters for 10 Hz to 30 kHz bandwidths; four poles, 100 kHz to 3 MHz bandwidth. Approximate Gaussian shape optimized for minimum sweep time and smooth pulse response with calibrated display.

## Stability

### Residual FM

<3 Hz peak-to-peak in  $\leq 10$  seconds, span <100 kHz, resolution bandwidth  $\leq 30$  Hz, video bandwidth  $\leq 30$  Hz.

## Spectral Purity

### Noise Sidebands

Offset from Carrier	Sideband Level (1 Hz BW)
300 Hz	-90 dBc/Hz
3 kHz	-100 dBc/Hz
30 kHz	-107 dBc/Hz

### Power-Line-Related Sidebands

>85 dB below the peak of a CW signal.

# Amplitude

## Measurement Range

Measurement range is the total amplitude range over which the analyzer can measure signal responses. The low value is determined by sensitivity (10 Hz resolution bandwidth and 0 dB input attenuation), and the high value by damage level.

## Amplitude Measurement Range

– 135 dBm to + 30 dBm

## Displayed Values

### Scale

Over a 10-division CRT vertical axis with reference level (0 dB) at the top graticule line.

### Calibration

Calibration	
<b>Log</b>	10 dB/div for 90 dB display from reference level. Expanded from reference level: 5 dB/div for 50 dB display 2 dB/div for 20 dB display 1 dB/div for 10 dB display
<b>Linear</b>	10% of reference level/div when calibrated in voltage.

### Reference Level Range

Range	
<b>Log</b>	+30.0 to -99.9 dBm or equivalent in dBmV, dBμV, volts. Readout expandable to +60.0* dBm to -119.9 dBm (-139.9 dBm for ≤1 kHz resolution bandwidth) using [SHIFT] [ATTEN] (KSI).
<b>Linear</b>	7.07 V to 2.2 μV full scale. Readout expandable to 223.6 V* to 2.2 μV (0.22 μV for <1 kHz resolution bandwidth) using [SHIFT] [ATTEN] (KSI).
*Maximum total input power not to exceed +30 dBm damage level.	

### Accuracy

The sum of several factors, listed in “Amplitude Uncertainty, ” determines the accuracy of the reference level readout. Refer to the “Amplitude Uncertainty” section in this chapter.

**Reference Lines Accuracy**

Equals the sum of reference level accuracy plus the scale fidelity between the reference level and the reference line level.

**Dynamic Range**

**Spurious Responses**

For total signal power of  $<-40$  dBm at the input mixer of the analyzer, all image and out-of-band mixing responses, harmonic and intermodulation distortion products are  $>75$  dB below the total signal power for input signals 10 MHz to 1500 MHz,  $>70$  dB below the total signal power with input signals  $<10$  MHz.

**Note**

Input mixer level is defined as the input attenuation subtracted from the total signal power at the input connector.

**Second Harmonic Distortion \***

Frequency Range	Distortion
$\geq 10$ MHz	$<-70$ dBc
$<10$ MHz	$<-60$ dBc

\*For a signal -30 dBm at the mixer.

**Note**

For typical second and third order distortion characteristics, see Figure 4-4 in Chapter 4, "Performance Characteristics."

**Note**

Dynamic range due to Third Order Intermodulation Distortion and noise level can be calculated from  $2/3$  [TOI – displayed average noise level]. For example, at 900 MHz the analyzer's specified dynamic range when using the 10 Hz resolution BW is:  $2/3$  [ + 10 dBm – (-135 dBm)] =  $2/3(145)$  = 96.7 dB.

**Note**

Two-tone intermodulation distortion products can be calculated from  $2(\text{TOI} - \text{signal level})$ . For example, for two tones at -30 dBm, the intermodulation products for a +5 dBm TOI will be:  $2[ + 5 \text{ dBm} - (-30)] = 70$  dB down.

**Third Order Intermodulation Distortion \***

Center Frequency	Signal Separation	Distortion Products	T01
$>100$ kHz	$<100$ kHz	$<-70$ dBc	$>+5$ dBm
$>10$ MHz	$>100$ kHz	$<-80$ dBc	$>+10$ dBm

\*For two signals, each -30 dBm at the mixer.

**Residual Responses**

Residual responses are signals generated by the analyzer independent of input signals.

### Residual Responses \*

Frequency Range	Residual Responses
500 Hz to 1500 MHz	< -105 dBm
*With 0 dB input attenuation and no input signal.	

### Gain Compression

<0.5 dB for signal levels  $\leq -10$  dBm at the input mixer.

### Displayed Average Noise Level (Sensitivity)

#### Average Noise \*

Tuning Range	Level
500 Hz to $\leq 1$ MHz	< -112 dBm
>1 MHz to 1500 MHz	< -135 dBm
*0 dB input attenuation, 10 Hz resolution bandwidth, and 1 Hz video bandwidth.	

## Amplitude Uncertainty

The following table summarizes the amplitude measurement uncertainties along with their respective dependent variables (such as tuned frequency or reference level range) versus corrected and uncorrected conditions and ambient temperature ranges.

Footnotes can be found at the end of this table.

Source of Uncertainty	Dependent Variable	With Uncorrected Readout		With Corrected Readout
		(SHIFT) (STOP FREQ) (KSY)	(SHIFT) (STOP FREQ) (KSY)	(SHIFT) FREQUENCY SPAN (KSW) <sup>1</sup>
		20 °C to 30 °C	0 °C to 55 °C	20 °C to 30 °C
<b>Calibrator Amplitude</b>	None	±0.3 dB	±0.3 dB	±0.3 dB
<b>Frequency Response (flatness)<sup>2,6</sup></b> (input attenuation ≥10 dB)	<b>INPUT 1</b> Tune Frequency: 100 Hz to 500 MHz 100 Hz to 1500 MHz <b>INPUT 2</b> Tune Frequency: 100 kHz to 1500 MHz	±1.0 dB ±1.5 dB ±1.0 dB	±1.0 dB ±1.5 dB ±1.0 dB	±1.0 dB ±1.5 dB ±1.0 dB
<b>RF Gain</b>	2nd LO Shifted	±1.0 dB	±1.0 dB	±0.1 dB
<b>Resolution Bandwidth Switching<sup>7</sup></b> Referenced to 1 MHz RES BW	<b>Resolution BW:</b> 10 Hz 30 Hz 100 Hz to 1 MHz 3 MHz	±2.0 dB ±0.8 dB ±0.5 dB ±1.0 dB	±4.0 dB ±2.3 dB ±2.0 dB ±2.0 dB	±1.1 dB ±0.4 dB ±0.2 dB ±0.2 dB
<b>Log Scale Switching</b>	Changing log scale	±0.5 dB	±1.0 dB	±0.1 dB <sup>8</sup>
<b>Log Fidelity<sup>6</sup></b>	Incremental error for dB differential between calibration and measured signal, over 0 to 80 dB from reference level  Cumulative Error 10 Hz RES BW Over 0 to 90 dB Over 0 to 70 dB ≥30 Hz RES BW Over 0 to 90 dB Over 0 to 80 dB Over 0 to 70 dB	≤±0.10 dB/dB  ≤±2.1 dB ≤±0.8 dB ≤±1.5 dB ≤±1.0 dB ≤±0.6 dB	≤±0.15 dB/dB  ≤±2.8 dB ≤±1.5 dB	≤±0.10 dB/dB  ≤±2.1 dB ≤±0.8 dB ≤±1.5 dB ≤±1.0 dB ≤±0.6 dB

Source of Uncertainty	Dependent Variable	With Uncorrected Readout <b>(SHIFT)</b> <b>(STOP FREQ)(KSY)</b>		With Corrected Readout <b>(SHIFT)</b> <b>(FREQUENCY SPAN)(KSW)<sup>1</sup></b>
		20 °C to 30 °C	0 °C to 55 °C	20 °C to 30 °C
<b>Linear Fidelity<sup>6</sup></b>	Over top 9-1/2 divisions of display <sup>3</sup>	<±3% of reference level	<±3% of reference level	<±3% of reference level
<b>Input Attenuator Switching<sup>6</sup></b>	Over 20 to 70 dB range, referenced to 10 dB input attenuator setting	<±1.0 dB	<±1.0 dB	<±1.0 dB
<b>IF Gain<sup>9,4</sup></b> Reference to -10 dBm Reference Level with 10 dB input attenuation	<b>RES BW ≥3 kHz</b> <b>Reference Level</b> 0 to -59.9 dBm -60 to -100 dBm	≤±0.6 dB ≤±1.0 dB	≤±1.0 dB ≤±1.5 dB	≤±0.3 dB ≤±1.0 dB
	<b>RES BW 100 Hz—1 kHz</b> <b>Reference Level</b> 0 to -79.9 dBm -80 to -100 dBm	≤±0.6 dB ≤±1.0 dB	≤±1.0 dB ≤±1.5 dB	≤±0.3 dB ≤±1.0 dB
	<b>RES BW 30 Hz</b> <b>Reference Level</b> 0 to -79.9 dBm -80 to -100 dBm	≤±0.6 dB ≤±2.0 dB	≤±1.0 dB ≤±2.5 dB	≤±0.3 dB ≤±2.0 dB
	<b>RES BW 10 Hz</b> <b>Reference Level</b> 0 to -79.9 dBm -80 to -100 dBm	≤±1.6 dB ≤±2.0 dB	≤±2.0 dB ≤±2.5 dB	≤±1.0 dB ≤±2.0 dB
<b>Log Digitizing<sup>6</sup></b>	<b>Log Scale:</b> 10 dB	±0.2 dB	±0.2 dB	±0.2 dB
	5 dB	±0.1 dB	±0.1 dB	±0.1 dB
	2 dB	±0.04 dB	±0.04 dB	±0.04 dB
	1 dB	±0.02 dB	±0.02 dB	±0.02 dB
<b>Linear Digitizing<sup>6</sup></b>		±0.2% of reference level	±0.2% of reference level	±0.2% of reference level
<b>Error Correction<sup>5</sup></b>	Corr'd function off or on	N/A	N/A	±0.4 dB
<b>Input Connector<sup>6</sup> Switching</b>	At 20 MHz	±0.5 dB	±0.5 dB	±0.5 dB

- Table Footnotes**
- <sup>1</sup> Requires executing the error-correction function (**SHIFT**) (**FREQUENCY SPAN**) after stabilization at new ambient temperature. Otherwise, typical amplitude drift may be  $\pm 0.05$  dB/°C (at -10 dBm reference level, 10 dB input attenuation and 1 MHz resolution bandwidth.)
  - <sup>2</sup> COUPLED FUNCTION not required as long as MEAS UNCAL message is not displayed.
  - <sup>3</sup> For IF-Display sections with serial prefixes 3014A and above, specification applies over entire display.
  - <sup>4</sup> Assuming calibration signal is used to calibrate the reference level at -10 dBm and the input attenuator is fixed at 10 dB.
  - <sup>5</sup> When the error-correction function is used, amplitude uncertainty is introduced because additional IF gain is used to offset the amplitude errors caused by resolution bandwidth switching, log scale switching, and RF gain errors.
  - <sup>6</sup> Unaffected by error correction.
  - <sup>7</sup> 30 kHz and 100 kHz bandwidth switching uncertainty only applicable  $\leq 90\%$  relative humidity,  $\leq 40$  °C.
  - <sup>8</sup> Referenced to Log 1 dB/div.
  - <sup>9</sup> Useable reference level range is a function of resolution bandwidth. Refer to "Average Noise Level" in Chapter 4, "Characteristics. "



---

## Marker

The marker is a bright dot placed upon the display trace and is positioned horizontally by the DATA controls. The marker amplitude and frequency are displayed continuously.

### Frequency Accuracy

Marker Type	Accuracy
Normal	Same as center frequency accuracy + frequency span accuracy between marker and center frequency.
A (Delta)	Same as frequency span accuracy. In FREQ COUNT mode, twice the frequency count uncertainty plus drift during the period of the sweep. See "Drift" under "Stability" in the characteristics chapter.

### Amplitude Accuracy

Marker Type	Accuracy
Normal	Same as reference level accuracy + scale fidelity between the reference level and marker position.
A (Delta)	Same as frequency response uncertainty + scale fidelity between the two markers.

---

## Sweep

### Sweep Time Accuracy

Sweep Time	Accuracy
≤100 second sweep times	±10%
>100 second sweep times	±20%

---

## Inputs

### INPUT #1

Connector	BNC female, front panel, fused
Frequency Range	100 Hz to 1500 MHz, dc coupled
Maximum Input ac	Continuous power: +30 dBm from 50 $\Omega$ source. Mixer protected by diode limiter. Pulse power: $\leq 100$ W, 10 $\mu$ s pulse width with $\geq 50$ dB input attenuation ( $\leq 0$ dBm peak power to input mixer).
dc	$< 100$ mA damage level

### INPUT #2

Connector	Type N female, front panel
Frequency Range	100 kHz to 1500 MHz, ac coupled
Maximum Input ac	Continuous power: +30 dBm from 50 $\Omega$ source. Mixer protected by diode limiter. Pulse power: $\leq 100$ W, 10 $\mu$ s pulse width with $\geq 50$ dB input attenuation ( $\leq 0$ dBm peak power to input mixer).
dc	$\pm 50$ V

### Note

---

+ 30 dBm (1 W) input damage level.

---

---

## Outputs

### CAL OUTPUT

Connector	BNC female, front panel
Impedance	1 50 $\Omega$ nominal
Frequency	20 MHz *(frequency reference error x 20 MHz)
Amplitude	-10 dBm $\pm$ 0.3 dB

### 1ST LO OUTPUT

Connector	BNC female, rear panel
Impedance	50 $\Omega$ nominal
Frequency	2.0 to 3.7 GHz
Amplitude	> +4 dBm
Maximum Safe Reverse Level	+27 dBm (1/2 W) total power into 50 $\Omega$

---

## Options

All specifications are identical to the standard HP 8568B, except as noted below.

### 75 $\Omega$ Input Impedance, Option 001

#### INPUT #1

Connector	BNC female, front panel, not fused
Impedance	75 $\Omega$ nominal

#### Residual Responses, Input #1

Frequency Range	Residual Response
500 Hz to 1500 MHz	< -99 dBm

#### Average Noise\*, Input #1

Tuning Range	Level
500 Hz to 1 MHz	< -106 dBm
1 MHz to 1500 MHz	c -129 dBm
*0 dB input attenuation, 10 Hz resolution bandwidth, and 1 Hz video bandwidth.	

**400 Hz Power Line  
Frequency Operation,  
Option 400**

**Power Line Related Sidebands**

>75 dB below peak of a CW signal.

**Residual Responses \***

<b>Frequency Range</b>	<b>Residual Response</b>
500 Hz to $\leq 2.5$ kHz	$< -95$ dBm
$> 2.5$ kHz to 1500 MHz	$< -105$ dBm

\*With 0 dB input attenuation and no input signal.

**Power Requirements**

	<b>Specification</b>
<b>Line Frequency</b>	400 Hz $\pm 10\%$ line frequency (50 Hz to 60 Hz operation for servicing only)
<b>Line Voltage</b>	100 or 120 V (+5%, -10%)

**Operating Temperature Range**

<b>Power Line Frequency</b>	<b>Temperature Range</b>
50 Hz to 60 Hz (service only, not for extended periods)	5 °C to 35 °C
400 Hz	5 °C to 55 °C

---

## General

### HP-IB Interface Functions

SH1, AH1, T6, L4, SR1, RL1, PPO, DC1, DT1, CI, C2, C3, C28, E2

### Environmental

#### Temperature

Operation: 0 °C to 55 °C  
Storage: -40 °C to 75 °C

#### Note

Increased internal temperatures may result if the rear-panel air filters are not cleaned regularly.

#### Altitude

Operation: ≤4,572 m (15,000 feet)  
Storage: ≤15,240 m (50,000 feet)

### Power Requirements

50 to 60 Hz; 100, 120, 220, or 240 volts (+5%, -10%); approximately 450 VA (40 VA in standby). 400 Hz operation is available as Option 400.

### Humidity

#### Operation

Except as noted in electrical specifications, type tested at <95% relative humidity, 25 °C to 40 °C for 5 days.

#### Storage

5% to 90% relative humidity, 0 °C to 40 °C.

### EMI

Conducted and radiated interference is within the requirements of MIL-STD 461C, Part 7 RE02 and CEO3 (Air Force), and within the requirements of CISPR Publication 11 and Messemphaenger-Postverfuegung 526/527/79 (Kennzeichnung Mit F-Nummer/Funkschutzzeichen).

### X-Rays

#### IF Section Serial Prefix 3004A and above

X-rays generated by this instrument are sufficiently screened.

Die in diesem geraet entstehende roentgenstrahlung ist ausreichend abgeschirmt.

accel. voltage / beschl. spg < 20 kV

#### IF Section Serial Prefix 3001A and below

When operating, this instrument emits x-rays; however, it is well shielded and meets safety and health requirements of various countries, such as the X-Ray Radiation Act of Germany.

Radiation emitted by this instrument is less than 0.5 mR/hr at a distance of five (5) centimeters from the surface of the cathode-ray tube. The x-ray radiation primarily depends on the characteristics of the cathode-ray tube and its associated low-voltage and high-voltage circuitry. To ensure safe operation of the instrument, adjust both the low-voltage and high-voltage power supplies as outlined in the Performance Tests and Adjustments manual (if applicable).

Replace the cathode-ray tube with either an identical CRT or an approved retrofit kit only. If a retrofit kit is installed, the applicable specification is for "IF Section Serial Prefix 3004A and above."

Number of German License: BW/50/79/ROE

Waehrend des Betriebs erzeugt dieses Geraet Roentgenstrahlung. Das Geraet ist so abgeschirmt, dass die Dosisleistung weniger als 36 pA/kg (0,5 mR/h) in 5cm Abstand von der Oberflaeche der Katodenstrahlroehre betraegt. Somit sind die Sicherheitsbestimmungen verschiedener Laender, u.A. der deutschen Roentgenverordnung eingehalten.

Die Staerke der Roentgenstrahlung haengt im Wesentlichen von der Bauart der Katodenstrahlroehre ab, sowie von den Spannungen, welche an dieser anliegen. Um einen sicheren Betrieb zu gewaehrleisten, duerfen die Einstellungen der Niederspannungs- und des Hochspannungsnetzteils nur nach der Anleitung des Handbuches vorgenommen werden.

Ersetze die Kathodenstrahlroehre entweder durch eine identische oder mit einem zugelassenen Nachruestsatz. Wenn der Nachruestsatz installiert ist, haben die Spezifikationen des ZF Teils mit der Serien-Vornummer 3004A und darueber Gueltigkeit.

Das Geraet ist in Deutschland zugelassen unter der Nummer:  
BW/50/79/ROE

## Warm-Up Time

### Frequency Reference

From a cold start (no line power connected to HP 8568B), the following conditions apply:

- <72 hours to meet aging rate specification after <24-hour off period.
- <30 days to meet aging rate specification after indefinite off period.
- <30 minutes to be within  $1 \times 10^{-8}$  of 24-hour warm-up frequency (at 25 °C).

---

### Note

If the above conditions do not apply, refer to the specifications below under “Operation. ”

---

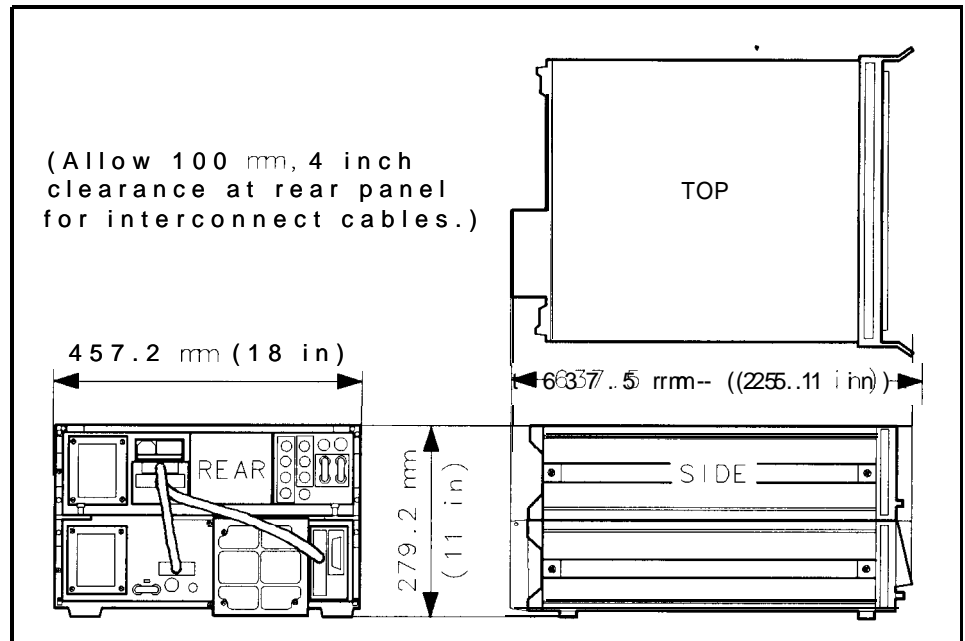
### Operation

Requires 30-minute warm-up from STANDBY mode, 0 °C to 55 °C. Internal temperature equilibrium is reached after 2-hour warm-up at stabilized ambient temperature.

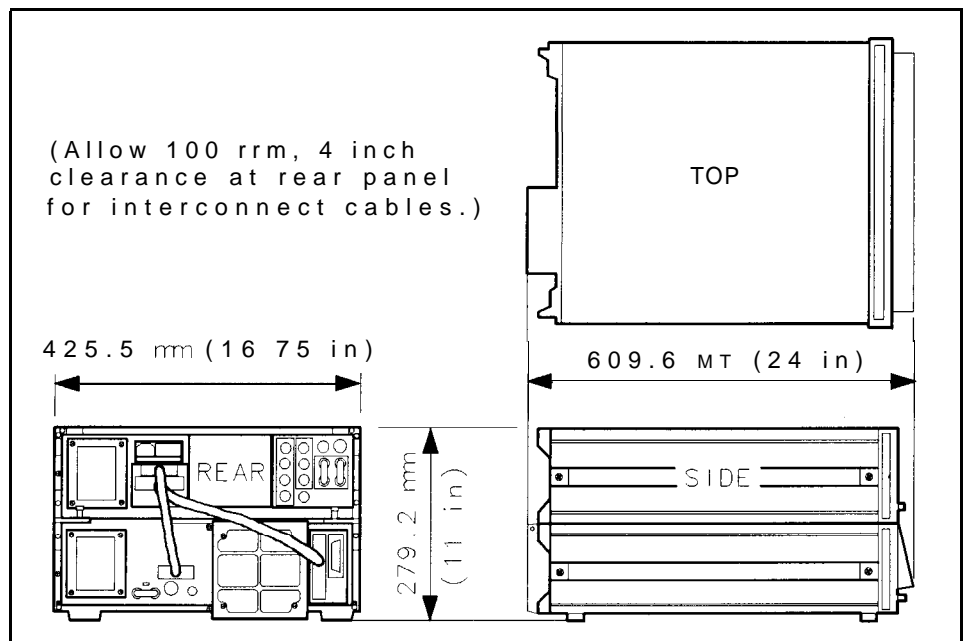
## Weight

	Weight
Total (net)	45 kg (110 lb)
RF Section (net)	24 kg (53 lb)
IF-Display Section (net)	21 kg (47 lb)
RF Section (shipping)	32 kg (70 lb)
IF-Display Section (shipping)	27 kg (60 lb)

## Dimensions



**Figure 3-1. Instrument Dimensions with Handles**



**Figure 3-2. Instrument Dimensions without Handles**



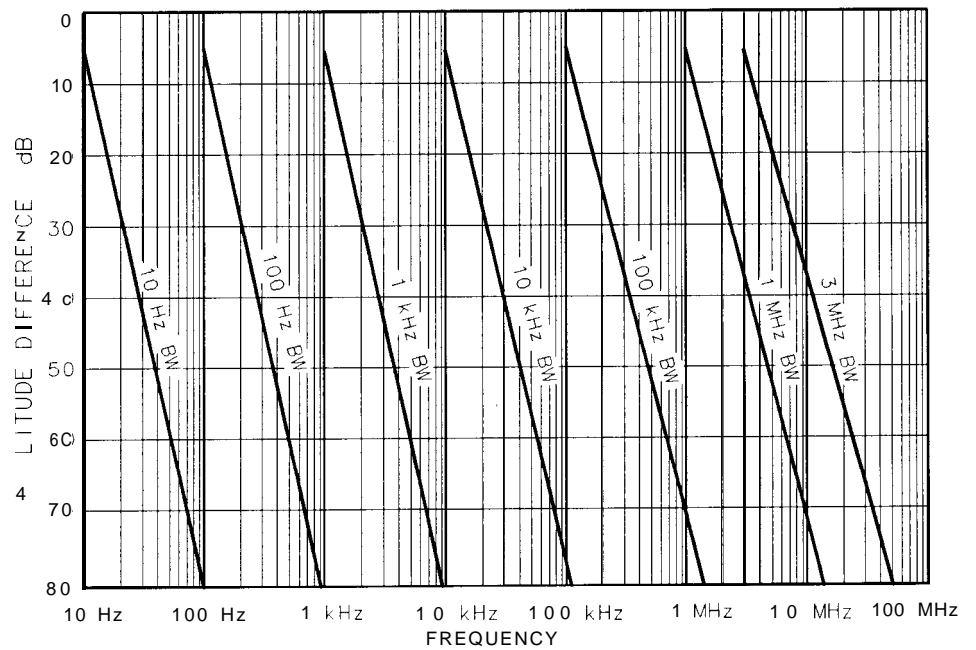
## Characteristics

### Note

Supplemental characteristics are intended to provide information useful in applying the instrument by giving typical, nonwarranted, performance parameters.

## Frequency

### Resolution



**Figure 4-1. Typical Spectrum Analyzer Resolution**

## Stability

### Drift

Because the analyzer frequency is corrected on retrace, drift occurs only during the period of one sweep. This drift is in addition to frequency reference error due to aging.

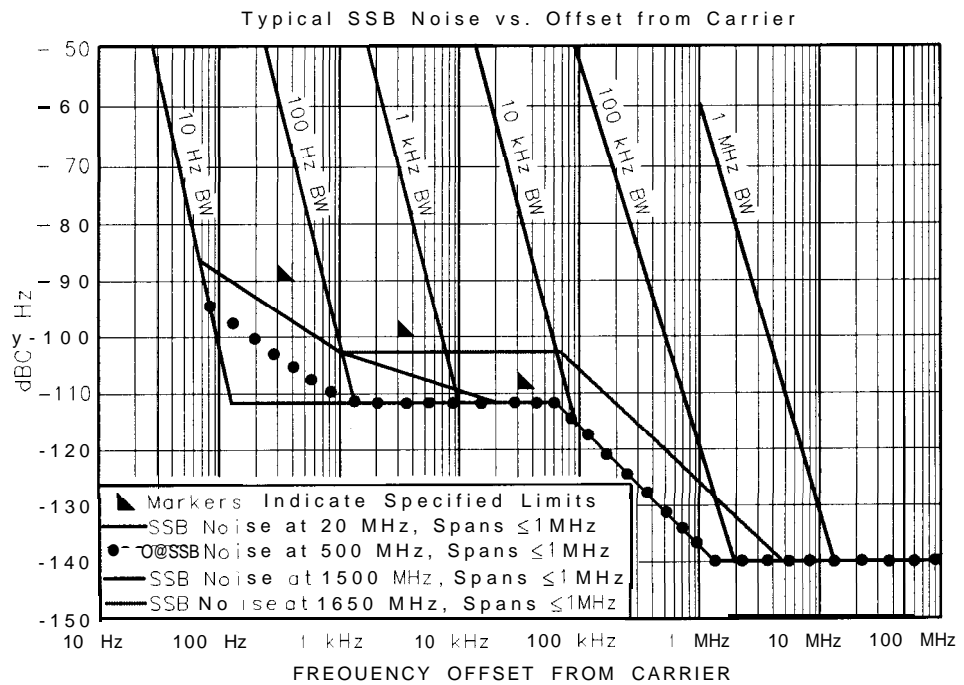
Frequency Span	Drift (per Minute of Sweep Time) *
$\leq 100$ kHz	$< 10$ Hz
$> 100$ kHz to $\leq 1$ MHz	$< 100$ Hz
$> 1$ MHz	$< 300$ kHz

\*After 1 hour warm-up at stabilized temperature.

## Spectral Purity

### Noise Sidebands

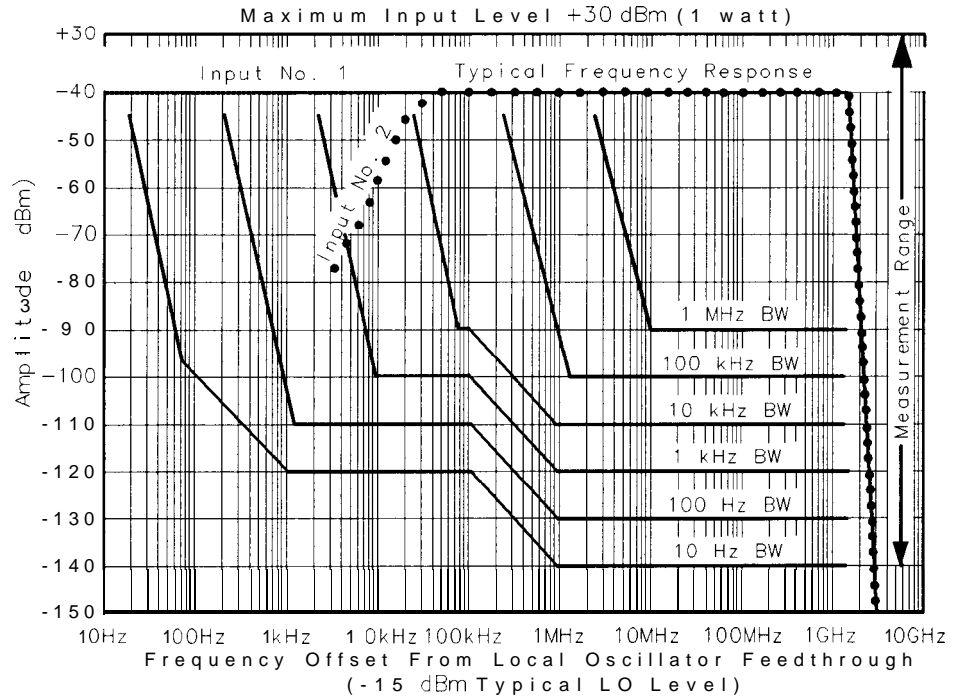
Refer to Figures 4-2 and 4-3 for typical noise sideband performance.



**Figure 4-2.**  
**Single Sideband Noise Normalized to 1 Hz BW**  
**versus Offset from Carrier**

# Amplitude

## Average Noise Level



**Figure 4-3. Typical Sensitivity vs. Input Frequency**

### Log to Linear Switching

Signals at the reference level in log translate to approximately full scale signals in linear typically within  $\pm 1.0$  dB at room temperature (20 °C to 30 °C).

### Frequency Response (Flatness) Uncertainty

	<b>Frequency Response *</b>
<b>Input #1</b>	
100 Hz to 500 MHz	f0.75 dB
100 Hz to 1500 MHz	f1.0 dB
1500 MHz to 1650 MHz	+1.0/-4.0 dB
<b>Input #2</b>	
100 kHz to 1500 MHz	f0.7 dB
1500 MHz to 1650 MHz	+1.0/-4.0 dB
* $\geq 10$ dB input attenuation	

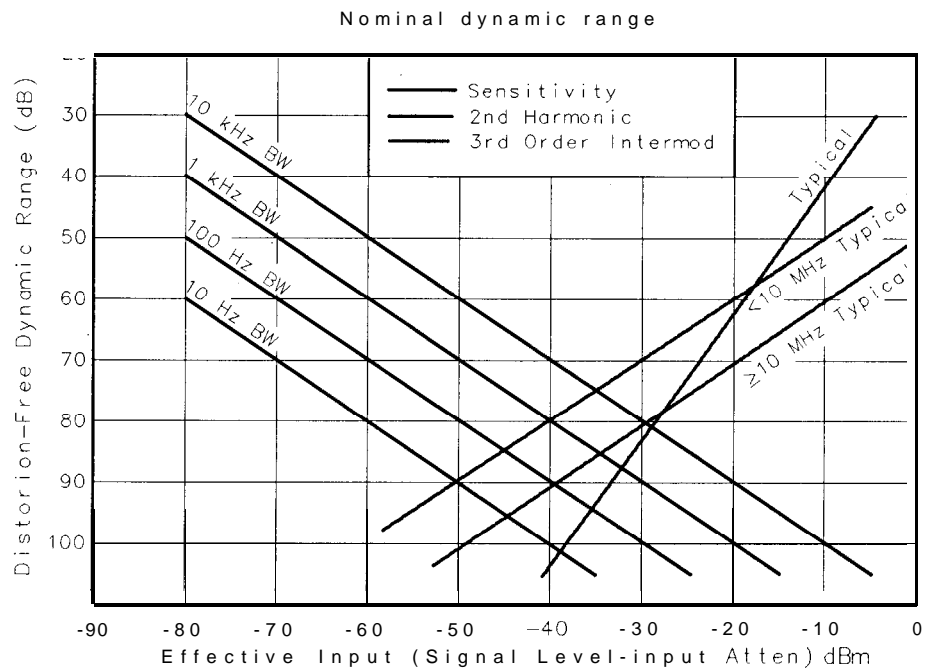
## Residual Responses

Residual responses are signals generated by the analyzer independent of input signals.

### Residual Responses \*

Frequency Range	Residual Responses
100 Hz to 500 Hz	<-105 dBm* *
500 Hz to 1500 MHz	<-105 dBm

\* With 0 dB input attenuation and no input signal.  
 \* \* Except for line-related residuals and LO feedthrough skirt (in the 100 Hz to 110 Hz range), typically <-100 dBm.



**Figure 4-4. Typical Optimum Dynamic Range**

## Third Order Intermodulation Distortion

See Figure 4-4 for typical second and third order distortion characteristics.

### Note

Dynamic range due to Third Order Intermodulation Distortion and noise level can be calculated from  $2/3 [TOI - \text{displayed average noise level}]$ . For example, at 900 MHz the analyzer's specified dynamic range when using the 10 Hz resolution BW is:  $2/3 [+ 10 \text{ dBm} - (-135 \text{ dBm})] = 2/3(145) = 96.7 \text{ dB}$ .

---

## Inputs

### RF INPUTS

#### SWR\*

	Tune Frequency	
	100 Hz to 500 MHz	500 MHz to 1500 MHz
Input #1	<1.5:1	<2.0:1
Input #2	<1.5:1	<1.5:1
* $\geq 10$ dB input attenuation		

#### Isolation

Typically >85 dB isolation between inputs.

#### LO Emission

Typically <-75 dBm (0 dB input attenuation)

### VIDEO INP

Connector	BNC female, rear panel
Impedance	139 $\Omega$
Amplitude	0 to 2 V

### IF INP

Connector	BNC female, rear panel
Impedance	50 $\Omega$
Frequency	21.4 MHz
Amplitude	-5 dBm with 10 dB input attenuation and 0 dBm reference level for full screen signal

### EXT TRIGGER

Connector	BNC female, rear panel
Impedance	1 k $\Omega$ , nominal
Trigger Level	> +2.4 V
Maximum Input	5 v

## FREQ REFERENCE (IN)

Connector	BNC female, rear panel
Impedance	50 $\Omega$ , nominal
Frequency	10 MHz $\pm$ 50 Hz
Amplitude	0 dBm to + 10 dBm
Phase Noise and Spurious Signals	Analyzer performance will be degraded unless frequency reference phase-noise and spurious signals are $\leq$ 140 dBc/Hz, referred to 10 MHz at a 100 Hz to 10 kHz offset.

## Outputs

### Display Outputs

X, Y, and Z outputs for auxiliary CRT displays. Compatible with HP 1300 series displays.

Connectors	BNC female, rear panel
Amplitude X Y Z <b>BLANK</b>	1 V for full deflection 1 V for full deflection 0 to 1 V intensity modulation, -1 V blank TTL level $>$ 2.4 V for blanking. Compatible with most oscilloscopes.
Rise Time X Y	$<$ 75 ns $<$ 75 ns $<$ 30 ns

### Recorder Outputs

Outputs to drive all current HP X-Y recorders using positive pencils or TTL penlift input.

[LOWER LEFT] and [UPPER RIGHT] keys calibrate the recorder SWEEP and VIDEO outputs with 0,0 and 10,1 V respectively, for adjusting X-Y recorders.

### SWEEP

A voltage proportional to the horizontal sweep of the frequency sweep generator.

Connector	BNC female, rear panel
Amplitude	0 V for left edge, + 10 V for right edge
Impedance	1.7 k $\Omega$ nominal

**VIDEO** Detected video output (before A-D conversion) proportional to vertical deflection of the CRT trace.

Connector	BNC female, rear panel
Amplitude	100 mV/div from 0 to 1 V
Impedance	$\leq 475 \Omega$ nominal

**PENLIFT**

Connector	BNC female, rear panel
Amplitude During Sweep (pen down) During Retrace (pen up)	0 V from $10 \Omega$ source  + 15 V from $10 \text{ k}\Omega$ source

**2 1.4 MHz IF OUTPUT**

Connector	BNC female, rear panel
Impedance	$50 \Omega$ nominal
Frequency	2 1.4 MHz
Amplitude	-20 dBm for a signal at the reference level. Controlled by the input attenuator and IF step gain positions.
Scaling	Logarithmically related to the RF input signal when in log scales. Linearly related to RF input signal when in linear scale.
Bandwidth	Controlled by the analyzer's resolution bandwidth setting.

**FREQ REFERENCE  
(OUT)**

Connector	BNC female, rear panel
Impedance	$50 \Omega$ nominal
Frequency	10.000 MHz
Amplitude	0 dBm

**VIDEO OUT**

I Connector	BNC female, rear panel
Impedance	$> 10 \Omega$
Amplitude	0 to 2 V

## IF OUT

Connector	BNC female, rear panel
Impedance	50 $\Omega$
Frequency	21.4 MHz nominal
Amplitude	-111 dBm nominal with 10 dB input attenuation

## PROBE POWER (front panel)

Voltage	+ 15 Vdc, -12.6 Vdc
Current	150 mA maximum. each
Probe Compatibility	HP 1121A (use only with with Input #2) HP 1120A HP 85024A HP 10855A Preamplifier

---

## General

### Acoustic Noise Emission/ Geraeuschemission

This instrument is in conformance with the "German Regulation on Noise Declaration for Machines." (Laermangabe nach der Maschinenlaermrrerordnung -3. GSGV Deutschland.)

	LpA(dB)
am Arbeitsplatz* (operator position)	47
fiktiver Arbeitsplatz* (bystander position)	47
* Test was conducted per ISO 7779 and DIN 45635 teil 1.	



# Function Descriptions

## Sweep

	<b>Characteristics</b>
<b>Free Run</b>	Sweep triggered by internal source.
<b>Line</b>	Sweep triggered by power line frequency.
<b>Video</b>	Sweep triggered by detected waveform of input signal at an adjustable level; signal must be $\geq 0.5$ div peak-to-peak. For sweeps of 10 ms and less (zero span) the signal must have $>40$ Hz rate. <b>[SHIFT] [VIDEO]</b> (KSy) allows any envelope rate, but display will blank between triggers when sweep is $<20$ ms.
<b>External</b>	Sweep triggered by rising edge of signal input to rear-panel BNC connector; trigger source must be $>2.4$ V (10 V maximum). For sweep of 10 ms and less (zero span), trigger source must have $>40$ Hz rate. <b>[SHIFT] [EXT]</b> (KSx) allows any trigger source rate, but display will blank between low repetition rate trigger when sweep is $<20$ ms.
<b>Continuous</b>	Sequential sweeps initiated by the trigger.
<b>Single</b>	Single sweep armed on activation and initiated by trigger (sweep $\geq 20$ ms only).
<b>Sweep Time Range</b>	
Span = 0 HZ	1 $\mu$ s to 10 ms in 1, 2, 5 sequence.  20 ms to 1500 s in 1, 1.5, 2, 3, 5, 7.5, 10 sequence.
Span > 0 HZ	20 ms to 1500 s in 1, 1.5, 2, 3, 5, 7.5, 10 sequence.

## Cathode Ray Tube

Type: Post-deflection accelerator, aluminized P31 phosphor, electrostatic focus and deflection.

Viewing Area: Approximately 9.6 cm vertically by 11 .0 cm horizontally (3.8 in x 4.7 in). The CRT is completely turned off with **(SHIFT) (CLEAR WRITE)** (trace B, K<sub>Sg</sub>) and on with **(SHIFT) (MAX HOLD)** (trace B, K<sub>Sh</sub>) to avoid unnecessary aging of the CRT during long-term unattended operation of the analyzer.

## Instrument State Storage

Up to six complete sets of user-defined control settings may be stored and recalled by pressing SAVE or RECALL and the desired register number (1 to 6) from the keyboard. Register 0 stores the current state while register 7 stores the instrument state prior to the last function change via the numeric/unit keyboard, step keys, or INSTR PRESET. Registers 8 and 9 store the two instrument calibration states.

To lock the save registers press **(SHIFT) (SAVE)** (K<sub>S</sub> ). To unlock the save registers, press **(SHIFT) (RECALL)** (K<sub>S</sub> ).

Instrument state information stored in registers 0 through 7 is retained in memory for approximately 1 year in STANDBY mode or after line power is removed and analyzer is stored between 20 °C and 30 °C.

## Remote Operation

The standard HP 8568B operates on the Hewlett-Packard Interface Bus (HP-IB). All analyzer control settings (with the exception of VIDEO TRIGGER LEVEL, FOCUS, ALIGN, INTENSITY, FREQ ZERO, AMPTD CAL, and LINE power) are remotely programmable. Function values, marker frequency/amplitude, and A/B traces may be output; CRT labels and graphics may be input.

LCL: Returns analyzer to local control, if not locked out by controller.

Service Request: **(SHIFT) (LIN)** (K<sub>Sr</sub>) calls an HP-IB request for service.

## Operation Verification

---

### What You'll Find in This Chapter

This chapter describes the HP 8568A/B Operation Verification software and how to use it to verify spectrum analyzer operation.

Test System Configuration .....	5-5
Equipment Connections .....	5-5
Program Loading .....	5-7
Program Operation .....	5-7
HP-IB Addresses .....	5-9
Error Messages .....	5-10
Test Descriptions .....	5-10
1. Input Attenuator Switching Uncertainty .....	5-11
2. IF Gain Uncertainty .....	5-12
3. Scale Fidelity (Log) .....	5-13
4. Scale Fidelity (Linear) .....	5-14
5. Log Scale Switching Uncertainty .....	5-15
6. Resolution Bandwidths .....	5-16
7. Impulse and Resolution Bandwidths .....	5-17
8. Line Related Sidebands .....	5-18
9. Residual FM .....	5-19
10. RF Gain Uncertainty .....	5-20
11. Sweep Time Accuracy .....	5-21
12. Average Noise Level .....	5-22
13. Residual Responses .....	5-23
14. Frequency Span Accuracy .....	5-24
15. Frequency Response .....	5-25
16. Second Harmonic Distortion .....	5-26
17. Third Order Intermodulation Distortion .....	5-27
18. Cal Output Amplitude Accuracy .....	5-28

Operation Verification is automatic performance test software designed to give a high confidence level in the operation of the HP 8568A/B spectrum analyzer in a reasonable time. It performs 80 percent to 85 percent of the manual performance tests in approximately 60 minutes and is designed to test an instrument operating within a temperature range of 20 °C to 30 °C. Refer to Table 5-1 for a list of tests performed.

If an HP 8568A/B passes all Operation Verification tests, be assured that the spectrum analyzer is performing within the specifications indicated in each test. These specifications are representative of the specifications listed in Chapter 3, "Specifications." If a test does not pass then the related manual performance test needs to be run. Related manual performance tests are located in the **HP 8568A/B Performance Tests and Adjustments Manual** (HP part number 08568-90105).

The HP 8568A/B Operation Verification software automates the majority of the manual performance tests for a performance verification. Table 5-2 lists the manual performance tests that are not included in the automated Operation Verification software.

---

Note The validity of the measurements in the Operation Verification program is based in part on the accuracy of the test equipment used to perform the test. Therefore, proper calibration of the test equipment must be verified before instrument operation can be checked using the Operation Verification program.

---

---

Note Measurement uncertainties may cause the Operation Verification program to indicate an instrument specification is out of tolerance even though the performance test in the Tests and Adjustments manual indicates it to be within tolerance. In this event the Performance Test data is to be considered more valid.

---

---

Note The Option 462 6 dB Bandwidth instrument shares the same Operation Verification software as the Option 462 Impulse Bandwidth instrument. When testing the 6 dB version, Test 7 Impulse and Resolution Bandwidths must not be performed and the following manual tests must be performed:

- 6 dB Resolution Bandwidth Accuracy Test
- 6 dB Resolution Bandwidth Selectivity Test

The manual tests are located in the **HP 8568B Performance Tests and Adjustments Manual**.

---

**Table 5-1. Tests Performed**

Test Number and Name	Equipment Required
1. Input Attenuator Switching Check	HP 3335A
2. IF Gain Uncertainty	HP 3335A
3. Scale Fidelity (Log)	HP 3335A
4. Scale Fidelity (Linear)	HP 3335A
5. Log Scale Switching	HP 3335A
6. Resolution Bandwidths	none
7. Impulse and Resolution Bandwidths (Option 462 Impulse Bandwidth) <sup>†</sup>	HP 8112A or HP 8116A HP 3335A
8. Line-Related Sidebands	none
9. Residual FM	none
10. RF Gain Uncertainty	none
11. Sweep Time Accuracy	none
12. Average Noise Level	HP 909A, Option 012
13. Residual Responses	HP 909A, Option 012
14. Frequency Span Accuracy	HP 3335A or HP 83640A*
15. Frequency Response	HP 3335A and HP 83640A* or HP 8444A, Option 059 HP 8902A or HP 436A or HP 438A HP 8482A HP 11667A
16. Second Harmonic Distortion	HP 3335A 50 MHz LPF (HP p/n 0955-0306)
17. Third Order Intermodulation Distortion	HP 83640A* HP 8335A HP 8721A 50 MHz LPF (HP p/n 0955-0306, 2 required)
18. Cal Output Amplitude Accuracy	HP 436A, Option 022 HP 8482A
<sup>*</sup> Alternate sources are: HP 83620A, HP 83623A, HP 83650A, HP 8340A/B, and 8341A/B. <sup>†</sup> Option 462 6 dB Bandwidth instruments must be manually tested. See note.	

**Table 5-2. Tests Not Performed**

Center Frequency Readout Accuracy Test
Spurious Responses Test
Fast Sweeptime Accuracy Test
1ST LO Output Amplitude Responses Test
Frequency Reference Error Test

**Table 5-3. Equipment Summary**

<b>HP Part Number</b>	<b>Equipment</b>
HP 9000 Series 200 or HP 9000 Series 300	Computer*
HP 3335A	Frequency Synthesizer
HP 83640A <sup>†</sup>	Synthesized Sweeper
or HP 8444A, Option 059	Tracking Generator
HP 436A or HP 438A	Power Meter
or HP 8902A	Measuring Receiver
HP 8482A	Power Sensor
HP 909A Option 012	50 Ohm Termination
HP p/n 0955-0306	50 MHz Low-Pass Filter (2 required)
HP 11667A	Power Splitter
HP 8721A	Directional Bridge
HP p/n 8120-4921	APC 3.5 Low-Loss Microwave Test Cable
HP-IB Printer	
Miscellaneous Cables and Adapters	
* HP 98624A HP-IB Interface is needed for dual-bus systems. 300 K of free memory is required for the test program.	
<sup>†</sup> Alternate sources are: HP 83620A, HP 83623A, HP 8340A/B, and HP 8341A/B.	

---

## Test System Configuration

The HP 8568A/B Operation Verification program requires an HP 9000 Series 200 or HP 9000 Series 300 computer with HP BASIC 2.0 and Extensions 2.1 or BASIC 3.0 or higher. An HP 362 or HP 382 computer can also be used and requires BASIC 6.2 or higher. The program operates on either a single or dual HP-IB computer system. For a dual bus system it is also necessary to have an HP 98624A HP-IB Interface to connect the HP 8568A/B to the computer separately from the test equipment.

The Operation Verification software is designed for optimum operation with a dual bus system. The dual bus system is used with the Microwave Test Set (MTS). In this configuration, the bus for the test equipment has a select code of 7, while the bus for the instrument under test has a select code of 8. The software will adapt itself to a single bus system if an HP 98624A HP-IB Interface at select code 8 is not present.

The equipment needed to perform the HP 8568A/B Operation Verification is listed in both Table 5-1 and Table 5-3. Table 5-1 includes a test-by-test listing of the equipment needed, and Table 5-3 includes a test equipment summary. To obtain a permanent record of the test results an HP-IB printer is required. The HP 8568A/B CRT display may be selected to display the test results if a permanent test record is not desired.

---

### Note

Because test results are expected to change over a period of time, Hewlett-Packard warrants only the specification range and not the repeatability of the data for any given specification.

---

---

## Equipment Connections

For a dual bus system, connect the test equipment to the computer as shown in Figure 5- 1. The instrument under test is connected separately to the HP 98624A Interface card.

For a single bus system, connect the test equipment and instrument under test to the computer (as shown in Figure 5-2).

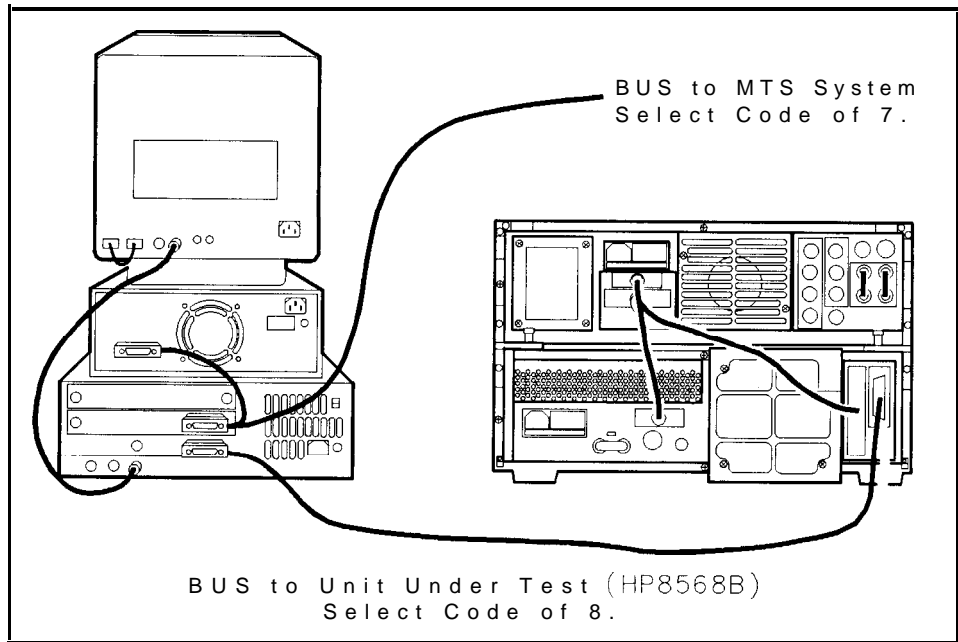
Turn the HP 8568A/B **(LINE)** to On and allow a 2 hour warm-up. Also, allow sufficient warm-up time for the other test equipment as indicated in the individual operating and service manuals.

---

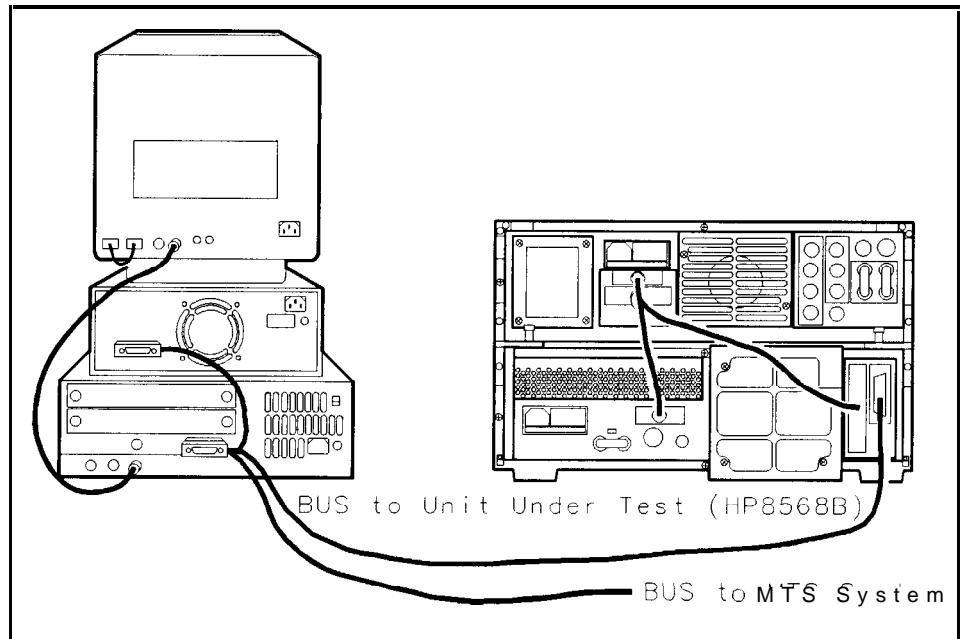
### Note

When connecting signals from the synthesized sweeper or tracking generator to the test setup, it is necessary to use a high frequency cable with minimum attenuation to 1.5 GHz.

---



**Figure 5-1. Dual Bus (MTS) System Connection**



**Figure 5-2. Single Bus System Connection**



---

## Program Loading

To load and run the HP 8568A/B Operation Verification program, one of the following HP BASIC language systems is required:

- BASIC 2.0 with Extensions 2.1
- BASIC 3.0 or higher including the following binaries:
  - MAT
  - IO
  - GRAPH
  - HP-IB
  - ERR (not required but recommended)
- BASIC 6.2 or higher must be installed in the HP 362 or HP 382.

For additional computer configuration instructions, refer to the Installation Reference manual included with the HP BASIC language system.

The HP 8568A/B Operation Verification program stores configuration and power sensor calibration data in files on the floppy disk. Inspect the floppy disk to verify that it is not write-protected, and insert it into the appropriate disk drive. Then type:

```
LOAD "VERIFY 68",1
```

Press **EXECUTE** on HP 9000 Series 200 computers, or **RETURN** on HP 9000 Series 300 computers, to load and run the program.

---

## Program Operation

The Operation Verification program uses the HP 8568A/B CRT to display program options and status, and allows the user to select options using the spectrum analyzer keyboard. The first few displays provide the user with selection menus for configuring the software to the available test equipment.

After the program name and revision is displayed for several seconds, the LIST OF DEFAULTS display appears, providing the user with a selection menu. At this point in the program, the user must enter the HP model numbers and HP-IB addresses of the test equipment that will be used, as well as the local ac power line frequency. To change one of the entries, position the pointer using the front-panel knob and press [Hz]. Then, enter the appropriate HP-IB address, serial number, line frequency, or one of the valid model numbers listed in Table 5-4.

It is sometimes desirable to perform specific Operation Verification tests without the full set of test equipment listed in Table 5-4. For example, several of the tests can be performed with no test equipment by using the spectrum analyzer CAL OUTPUT signal as an input signal. If an item of test equipment is not available, it is not necessary to change the corresponding default entries in the LIST OF DEFAULTS display.

From the LIST OF DEFAULTS display, the user may proceed with the program by pressing [Hz]. However, a valid power sensor calibration

data file must exist on the software disk before the program will proceed with testing. If such a file does not exist, the program will prompt the user to enter calibration data through the computer keyboard. The sensor calibration data is then stored on the software disk. An existing power sensor calibration data file may be reviewed or modified by re-entering the power sensor serial number in the LIST OF DEFAULTS display.

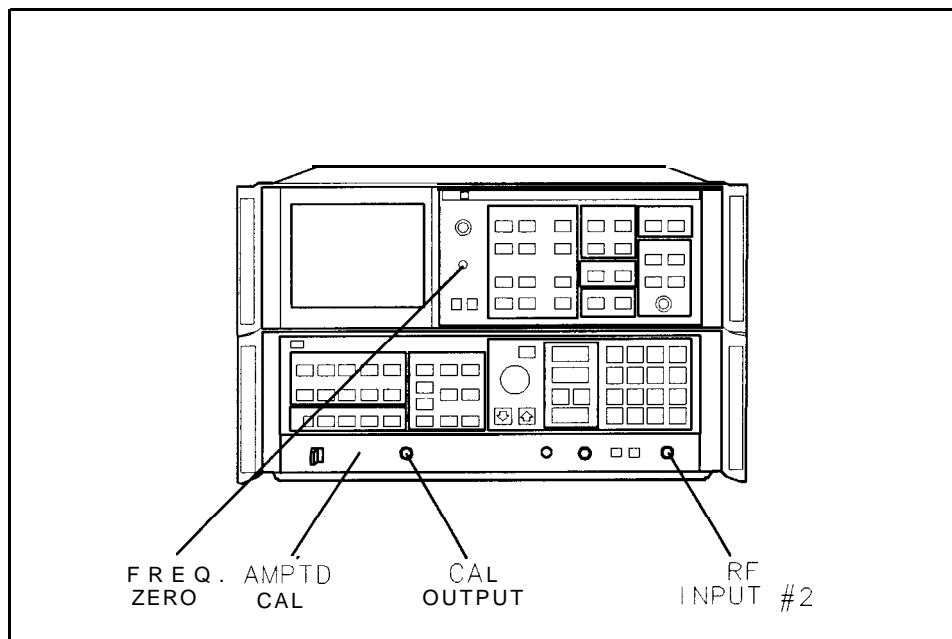
After the LIST OF DEFAULTS display, the next display allows the user to select whether the test results will be printed out or displayed on the spectrum analyzer CRT.

Next, the program checks to verify that each piece of test equipment responds at its designated HP-IB address. The user is prompted with a list of test equipment that does and does not respond, and is offered the choice of continuing with the program, repeating the equipment check, or returning to the LIST OF DEFAULTS display to change HP-IB addresses. The program will automatically limit the number of tests that can be performed, based on this list of available test equipment.

If the user chooses to proceed by pressing **[Hz]**, the program attempts to measure the spectrum analyzer CAL OUTPUT signal, and prompts the user to connect the CAL OUTPUT to the RF INPUT and adjust the front-panel AMPTD CAL and FREQ ZERO controls as appropriate. Refer to Figure 5-3 for the location of the AMPTD CAL and FREQ ZERO controls. Once these adjustments are within tolerance, the program activates the spectrum analyzer error correction (KSW) routine.

Once the error correction routine has completed, a test summary is displayed on both the computer and the spectrum analyzer. Both test summaries provide a status report on test progress. In addition, the test summary displayed on the spectrum analyzer provides the user with a selection menu of individual tests. The user enters the number of the desired test, followed by **[Hz]** to perform the test one time, or **[kHz]** to perform the test repetitively. If the user selects "All Tests" (selection 0), the program will run each of the tests in sequence, skipping those tests that cannot be performed with the available test equipment.

Test results are printed or displayed at the completion of each individual test. Once a particular test is completed, the test summary displays are updated to reflect whether the test passed.



**Figure 5-3. RF Input and Calibration Controls**

## HP-IB Addresses

Table 5-4 lists the default assigned addresses and test equipment. For dual bus systems the select code for the test equipment is 7 and the select code for the instrument under test is 8. (The address for the HP 8568A/B under test is 818.)

In single bus systems, the select code for the test equipment is 7, and the select code for the instrument under test is 7.

**Table 5-4. HP-IB Addresses**

Equipment	HP Model	Address
Frequency Synthesizer	HP 3335A	04
Pulse Generator *	HP 8112A or HP 8116A	16
Power Meter	HP 436A	13
HP-IB Printer		01
*Required to test Option 462 Impulse Bandwidth.		

---

## Error Messages

Self-explanatory error messages are incorporated into the Operation Verification program to assist you in identifying errors.

---

## Test Descriptions

The following test descriptions list the Specifications, Related Performance Test, and Test Description for each test performed by the Operation Verification program. The specifications listed below are those of each Operation Verification test and are uncorrected (where applicable). Operation Verification is designed to test an instrument operating within a temperature range of 20 °C to 30 °C.

1. Input  
Attenuator  
Switching  
Uncertainty

Specification      $\pm 1.0$  dB over 10 to 70 dB range

Related Performance Test     Input Attenuator Switching Uncertainty Test

Description     A signal source of known amplitude is connected to the spectrum analyzer and the analyzer is adjusted for a reference. The input attenuator is stepped down from 10 dB to 70 dB, while the reference level and the signal source are stepped up. This maintains the signal peak at the same approximate location on the CRT display. The amplitude of the signal is measured at each step using the marker function on the spectrum analyzer.

---

## 2. IF Gain Uncertainty

Specification	0.0 dBm to -55.9 dBm . . . . .	f0.6 dB
	-56.0 dBm to -129.9 dBm . . . . .	±1.0 dB

Related Performance Test	IF Gain Uncertainty Test
-----------------------------	--------------------------

Description	A signal source of known amplitude is connected to the spectrum analyzer and the analyzer is adjusted for a reference level. The amplitude of the signal peak is measured in 0.1 dB steps from -0.1 dB to -1.9 dB, in 2 dB steps from -1.9 dB to -9.9 dB, and in 10 steps from -10 dB to - 120 dB.
-------------	--



### 3. Scale Fidelity (Log)

Specification             $\leq \pm 1.0$  dB max. over 0 to 80 dB display  
                                  $\leq \pm 1.5$  dB max. over 0 to 90 dB display

Related Performance    Amplitude Fidelity Test  
                                 Test

Description            The specification listed is for cumulative error. Only cumulative error is measured in this procedure.

A signal source of known amplitude is connected to the spectrum analyzer and the analyzer is adjusted for a reference. The signal source is stepped down in 1 dB steps and the displayed signal amplitude on the spectrum analyzer measured at each step. This measurement is performed in both the 3 kHz and 300 kHz bandwidths.

---

## 4. Scale Fidelity (Linear)

Specification      $\pm 3\%$  of Reference Level

Related Performance     Amplitude Fidelity Test  
**Test**

Description     A signal source of known amplitude is connected to the spectrum analyzer and the analyzer is adjusted for a reference. The signal source is stepped down from -10 dB to -30 dB in 10 dB steps and the amplitude of the displayed signal measured using the marker function. This measured value is used to calculate the percent error from the reference level established.



5. Log Scale  
Switching  
Uncertainty

Specification      $\pm 0.5$  dB

Related Performance Test     Log Switching Uncertainty Test

Description     A signal source of known amplitude is connected to the spectrum analyzer and the analyzer is adjusted for a reference in the 1 dB per division log scale. The spectrum analyzer is then switched to each of the other LOG scales (2 dB, 5 dB, and 10 dB). The amplitude of the signal peak is measured at each setting.

## 6. Resolution Bandwidths

Specification	Bandwidth	10 Hz to 3 MHz; $\pm 20\%$ 3 kHz to 1 MHz; $\pm 10\%$
	Amplitude	(Referenced to 1 MHz amplitude) 3 MHz; fl.0 dB 1 MHz to 100 Hz; $\pm 0.5$ dB 30 Hz; $\pm 0.8$ dB 10 Hz; f2.0 dB
	Selectivity	(60 dB/3 dB Ratio) 3 MHz to 100 kHz; $< 15:1$ 30 kHz to 10 kHz; $< 13:1$ 3 kHz to 30 Hz; $< 11:1$ 10 Hz; $< 100$ Hz separation of 60 dB points

Related Performance Tests	Resolution Bandwidth Accuracy Test
	Resolution Bandwidth Selectivity Test
	Resolution Bandwidth Switching Uncertainty Test

**Description**

A signal source is connected to the spectrum analyzer input. The analyzer steps through the bandwidths from 3 MHz to 10 Hz, centers the signal, sets signal peak near the reference level, and measures the frequency of the 3 dB points for each bandwidth. The 3 dB bandwidth is then calculated by determining the difference in frequency between the 3 dB points.

Next, the spectrum analyzer steps through the bandwidths and measures the frequency of the 60 dB points of each bandwidth. The 60 dB bandwidth is then calculated by determining the frequency difference between the 60 dB points.

The shape factors are calculated by dividing the 60 dB bandwidths by the 3 dB bandwidths.

---

**Note** This procedure is for instruments other than those having Option 462. For Option 462 instruments perform the test on the following page.

---

## 7. Impulse and Resolution Bandwidths (Opt. 462 Impulse Bandwidth)

Specification	Bandwidth	3 MHz; $\pm 20\%$ 1 MHz to 1 kHz; $\pm 20\%$ 300 Hz to 10 Hz; +50%, -0%
	Amplitude	3 MHz; f1.0 dB 1 MHz to 100 Hz; f0.5 dB 30 Hz; $\pm 0.8$ dB 10 Hz; f2.0 dB
	Selectivity	(60 dB/6 dB Ratio) 3 MHz to 100 kHz; <11:1 30 kHz to 30 Hz; <8:1 10 Hz; <100 Hz separation of 60 dB points

Related Performance Tests	Impulse & Resolution Bandwidth Accuracy Test
	Impulse & Resolution Bandwidth Selectivity Test
	Impulse & Resolution Bandwidth Switching Uncertainty Test

Description	<p>A source outputting pulsed RF signals is connected to the spectrum analyzer input. The analyzer steps through the bandwidths from 3 MHz to 1 kHz, and the controller measures the frequency of the impulse response for each bandwidth.</p> <p>Next, a CW signal is connected to the spectrum analyzer input. The analyzer steps through all bandwidths for 3 MHz to 10 Hz, centers the signal, sets the signal peak near the reference level, and measures the frequency of the 6 dB points for each bandwidth. The 6 dB bandwidth is then calculated by determining the difference in frequency between the 6 dB points.</p> <p>Last, the analyzer steps through the bandwidths and measures the 60 dB points for each bandwidth. The 60 dB bandwidth is calculated for each bandwidth. The selectivity of each bandwidth is then calculated by dividing the 60 dB bandwidth by the 6 dB bandwidth for each filter.</p>
-------------	--

Note	<hr/> <p>This test is for Option 462 instruments only. For standard instruments, perform the test on the preceding page.</p> <hr/>
------	--

---

## 8. Line Related Sidebands

Specification      85 dB below the peak of a CW signal (Option 400: >75 dB)

Related Performance Test      Line Related Sidebands Test

Description      A signal source is connected to the spectrum analyzer input and the necessary front-panel control settings made for the test. The harmonics of the line frequency are calculated, the front-panel controls to view the frequencies, and measure the amplitude of the signal at each of the frequencies.

## 9. Residual FM

**Specification**      Less than 3 Hz peak-to-peak for sweep time  $\leq 10$  s; span  $< 100$  kHz; resolution bandwidth  $\leq 30$  Hz, video bandwidth  $\leq 30$  Hz.

**Related Performance Test**      Residual FM Test

**Description**      A signal source is connected to the spectrum analyzer input and the required front panel control settings are made as stated in the specification. The slope of the signal is measured for use in calculating the residual FM. The signal is centered on the display and the peak-to-peak amplitude deviation of the signal measured. The frequency deviation is the result of the amplitude deviation being divided by the slope (measured earlier in the test).

---

## 10. RF Gain Uncertainty

**Specification** RF gain uncertainty due to second LO shift: fl.O dB (uncorrected)

**Related Performance  
Test** RF Gain Uncertainty Test

**Description** A signal is connected to the spectrum analyzer's SIGNAL INPUT and the analyzer front panel controls set to view the signal. The 2nd LO is shifted up. The marker functions are used to measure the change in amplitude. The change corresponds to the difference in the signal level between the 2nd LO shifted up and the 2nd LO shifted down.

**11. Sweep Time Accuracy**

Specification	Sweep time $\leq 100$ s .....	$\pm 10\%$
	Sweep time $> 100$ s .....	$\pm 20\%$

Related Performance Test Sweep Time Accuracy Test

Description An internal measurement function is used to measure the sweep time at 20 ms, 750 ms, 5 s, 30 s, 200 s, and 1500 s. These sweep times check all of the sweep time multipliers in the Sweep Generator Current Source circuit (A22 Frequency Control). Sweep start-up time (offset) is measured and subtracted from the measured sweep time. The measured sweep time is compared to the selected sweep time and the percent error calculated.

---

## 12. Average Noise Level

**Specification**      Displayed:  $< -135$  dBm for frequencies  $> 1$  MHz,  $< -112$  dBm for frequencies  $\leq 1$  MHz but  $> 500$  Hz with 10 Hz resolution bandwidth, 0 dB input attenuation, 1 Hz video filter.

**Related Performance Test**      Average Noise Level Test

**Description**      The signal input of the spectrum analyzer is terminated with a 50 ohm load or the synthesizer and the analyzer attenuator. The necessary front-panel control settings are made and the average noise level measured at 501 Hz, 1001 MHz, and 1501 MHz.



---

## 13. Residual Responses

Specification -105 dBm, with 0 dB input attenuation

Related Performance Test Residual Responses Test

Description The signal input of the spectrum analyzer is terminated with a 50 ohm load or the synthesizer and the analyzer attenuator. The peak amplitude of the noise or responses is measured at various frequencies associated with residual responses caused by harmonics and mixing products of the first, second, and third local oscillators, the internal reference, and the HP-IB and digital storage clocks.

---

## 14. Frequency Span Accuracy

**Specification** For spans  $>1$  MHz;  $\pm(2\%$  of the actual frequency separation, + 0.5% of span setting)  
For span  $\leq 1$  MHz;  $\pm(5\%$  of the actual frequency separation, + 0.5% of span setting)

**Related Performance Test** Frequency Span Accuracy Test

**Description** A stable signal source is connected to the spectrum analyzer and the center frequency and span are set to measure spans of 10 MHz, 1 MHz, and 100 kHz.

---

## 15. Frequency Response

Specification	<p>INPUT #1</p> <p><math>\pm 1.0</math> dB, 100 Hz to 500 MHz (<math>\geq 10</math> dB RF Attenuation)</p> <p><math>\pm 1.5</math> dB, 100 Hz to 1500 MHz (<math>\geq 10</math> dB RF Attenuation)</p> <p>INPUT #2</p> <p><math>\pm 1.0</math> dB, 100 kHz to 1500 MHz (<math>\geq 10</math> dB RF Attenuation)</p>
Related Performance Test	Frequency Response Test
Description	<p>The spectrum analyzer rear panel 1ST LO OUTPUT is connected to a tracking generator which supplies the input signal for the analyzer. A power meter is connected to a power splitter, along with the tracking generator, which in turn is connected directly to the SIGNAL INPUT connector of the analyzer. The signal amplitude is measured from 1 MHz to 1500 MHz in 20 MHz increments and compared to the measured value of the input signal indicated by the power meter. This procedure is performed for both input connectors. The operator is asked to make the new connection to the other input connector mid-way through the test.</p>

---

## 16. Second Harmonic Distortion

Specification For mixer level  $\leq -30$  dBm:  
100 Hz to 10 MHz . . . . .  $< -60$  dBc  
>10 MHz . . . . .  $< -70$  dBc

Related Performance Harmonic and Intermodulation Distortion  
**Test**

Description A 40 MHz signal is applied to the analyzer's RF INPUT through a 50 MHz low-pass filter. The spectrum analyzer is adjusted to measure the second harmonic at 80 MHz.

## 17. Third Order Intermodulation Distortion

**Specification** Intercept is greater than +5.0 dBm from 100 kHz to 10 MHz and greater than + 10 dBm from 10 MHz to 1500 MHz.

**Related Performance Test** Harmonic and Intermodulation Distortion Test

**Description** Two signals with 10 kHz and 1 MHz separation are applied to the first mixer. The frequencies of third order intermodulation products are calculated and the spectrum analyzer is set to measure the amplitude of these responses. The third order intercept is calculated from the measurements for each separation.

---

## 18. Calibrator Output Amplitude Accuracy

Specification      -10 dBm,  $\pm 0.2$  dB

Related Performance      Calibrator Output Amplitude Accuracy Test  
**Test**

Description      The power sensor is connected to the spectrum analyzer CAL  
OUTPUT and the power is measured.