

Keysight Technologies
Selecting DC Sources for
Telecommunications Equipment
Test Systems

Application Brief

Overview

When selecting DC sources for test systems for telecommunications equipment one must take industry standards on DC power into consideration. DC power distribution buses of +24, -48 and, to a lesser extent, -60 volts for reliably power telecommunications equipment installations are well proven over many years of being in use. These are not tightly regulated voltage levels. Due to a number of factors the actual voltage range extends considerably above and below these stated levels as defined by industry standards, including the North American International Electrotechnical Commission (IEC) 60950 and the European Telecommunications Standards Institute (ETSI) 300-132-2. During test the system DC power supply must be able to likewise provide the appropriate voltage extremes for powering the telecommunications equipment.

Problem

These extended voltage limits need to be taken into consideration to validate equipment performance under appropriate worst case corner conditions when testing during design validation and manufacturing. This in turn dictates voltage, current and power requirements need to be carefully considered when selecting an appropriate DC source to address these requirements. Furthermore, if a given test system needs to test equipment for up to more than one DC bus value, the extended range of voltage and current needed at the maximum power demand needs to be considered as well. This can all add up to needing considerable test system rack space for DC power.

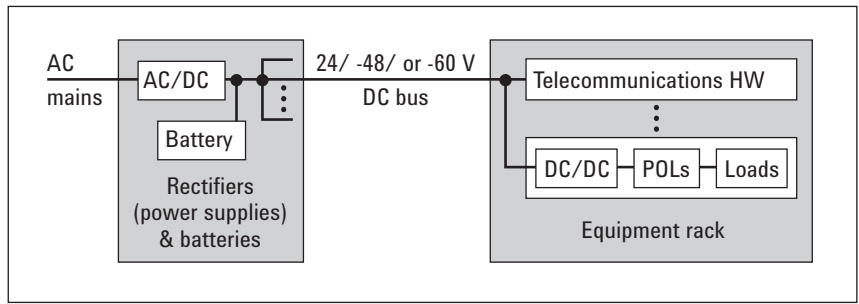


Figure 1. Telecommunications low voltage DC power distribution

Solution

The Keysight Technologies, Inc. N5700 and N8700 series DC sources offer a wide choice of power and voltage levels in a common family. They feature exceptional power density and are directly stackable, saving valuable test system rack space. Their energy efficient design reduces the facility's electrical and cooling demands. Units can be connected in series or parallel for even greater output power. This DC power supply family offers excellent value and is ideal for testing DC powered telecommunications equipment.

24 V, -48 V, and -60 V DC power distribution buses for telecommunications

The low voltage DC buses have evolved to provide telecommunications systems with safe and reliable battery backed-up power, assuring network operation even during prolonged AC power outages. A representative system is depicted in Figure 1.

The nominal voltages are in large part derived from being a multiple of a 12 V, 6 cell lead-acid battery. Having the battery directly match

the DC distribution bus voltage provides efficient power distribution with battery back up.

Ranges of voltages for the traditional telecommunications DC mains

While the stated DC buses are 24, -48, or -60 V, the actual value depends on the state of battery charge. Generally recognized voltages for a lead-acid cell's nominal and maximum charged and discharged levels determine the normal limits of operation. Also, industry standards, such as ETSI 300-132-2, call out for extended limits for abnormal operation for -48 V and -60 V buses. Applying these conditions and extrapolating downward for a +24 V bus yields the ranges of voltages listed in Table 1.

The -48 V bus is generally the most favored and widely used for existing and new installations. One preference is it meets the 60 V DC maximum criteria for Safety Extra Low Voltage (SELV) operation. Most often -48 V equipment is also offered in a 24 V version as well. The -60 V bus is still in use in Europe but as it exceeds SELV requirements, the more unified -48 V bus is preferred, especially for new installations.

DC bus (VDC)	Abnormal low (VDC)	Normal low (VDC)	Nominal (VDC)	Normal high (VDC)	Abnormal high
+24	0 to 20.0	20.0	26.5	28.5	28.5 to 30.0
-48	0 to -40.0	-40.0	-53.0	-57.0	-57.0 to -60.0
-60	0 to -50.0	-50.0	-66.3	-72.0	-72.0 to -75.0

Table 1. Representative voltage ranges for traditional telecommunications DC mains

DC sources for testing DC powered telecommunications equipment

Table 1 serves as a useful guideline for establishing appropriate voltage requirements for selecting DC sources for powering and testing DC powered telecommunications equipment. DC sources should be able to furnish up to 30 V, 60 V, or 75 V for equipment to be powered from a +24 V, -48 V, or -60 V buses, respectively, to meet the range of steady state conditions called out by industry standards.

The Keysight N5700 and N8700 series DC sources, pictured in Figures 2 and 3, are a common family ideally suited for test systems for DC powered telecommunications equipment. While offered in a wide range of voltages from 6 V to 600 V, currents up to 400 A, and power levels from 750 W to 5.2 KW, a select summary of models particularly well suited for DC powered telecommunications equipment testing is shown in Table 2.

Key features for testing DC power telecommunications equipment include:

- 1U and 2U tall units feature high power density. Unlike some other DC sources relying on air from above or below, these units are directly stackable, saving considerable rack space.

- Energy efficient design with AC input Power Factor Correction (PFC) reduces demand for power and cooling within a facility.
- A wide range of available voltage, current and power levels assures matching specific needs for powering the Equipment Under Test (EUT)
- Like units can be connected in parallel or series for extended voltages and currents, and greater power
- A complete set of protection features protects both the DC source and expensive EUTs from potential damage in case of an overload or other faults
- Built-in current and voltage measurement determine EUT power consumption
- LXI compliant, with LAN, USB, and GP-IB interfaces, and handy Web-based graphical interface as standard, provide flexibility for the test application



Figure 2. Keysight N8700 series DC sources (3.3 KW and 5 KW)



Figure 3. Keysight N5700 series DC sources (750 W and 1,500 W)

Model	Voltage (VDC)	Current (ADC)	Power (Watts)	Model	Voltage (VDC)	Current (ADC)	Power (Watts)
N5745A	30	25	750	N8735A	30	110	3,300
N5746A	40	19	760	N8736A	40	85	3,400
N5747A	60	12.5	750	N8737A	60	55	3,300
N5748A	80	9.5	760	N8738A	80	42	3,360
N5765A	30	50	1,500	N8755A	30	170	5,100
N5766A	40	38	1,520	N8756A	40	125	5,000
N5767A	60	25	1,500	N8757A	60	85	5,100
N5768A	80	19	1,520	N8758A	80	65	5,200

Table 2. Keysight N5700 and N 8700 series DC sources for telecommunications

Summary

DC power distribution buses of +24, -48 or -60 V DC have been in widespread use in telecommunications equipment installations for many years. As these buses are nearly always backed up directly with a battery of appropriate voltage, the normal operating voltage limits are determined by the battery's state of charge for normal operation. Industry standards for powering telecommunications equipment extend these voltage limits out further, to allow for abnormal operating conditions that may exist as well.

It is important to consider these extended voltage limits in design validation and manufacturing testing, to assure specified equipment performance is met under appropriate worst case corner conditions. The DC sources for these test systems must likewise be capable of furnishing the necessary ranges of voltage, current and power for all equipment being tested. Keysight's N5700 and N8700 series DC sources offer a wide range of voltage and current combinations, excellent power density, and a full set of system features, making them an excellent value ideally suited for test systems for DC powered telecommunications equipment.

For more information visit the following Keysight websites:

N8700 family of power supplies: www.keysight.com/find/N8700

N5700 family of power supplies: www.keysight.com/find/N5700

Related Literature

Title	Pub number
Keysight N8700 Series System DC Power Supplies, Datasheet	5990-3881EN
Keysight N5700 Series System DC Power Supplies, Datasheet	5989-1330EN
10 Practical Tips You Need to Know About Your Power Products, Application Note	5965-8239E

Evolving Since 1939

Our unique combination of hardware, software, services, and people can help you reach your next breakthrough. We are unlocking the future of technology.

From Hewlett-Packard to Agilent to Keysight.



For more information on Keysight Technologies' products, applications or services, please contact your local Keysight office. The complete list is available at: www.keysight.com/find/contactus

Americas

Canada	(877) 894 4414
Brazil	55 11 3351 7010
Mexico	001 800 254 2440
United States	(800) 829 4444

Asia Pacific

Australia	1 800 629 485
China	800 810 0189
Hong Kong	800 938 693
India	1 800 11 2626
Japan	0120 (421) 345
Korea	080 769 0800
Malaysia	1 800 888 848
Singapore	1 800 375 8100
Taiwan	0800 047 866
Other AP Countries	(65) 6375 8100

Europe & Middle East

Austria	0800 001122
Belgium	0800 58580
Finland	0800 523252
France	0805 980333
Germany	0800 6270999
Ireland	1800 832700
Israel	1 809 343051
Italy	800 599100
Luxembourg	+32 800 58580
Netherlands	0800 0233200
Russia	8800 5009286
Spain	800 000154
Sweden	0200 882255
Switzerland	0800 805353
	Opt. 1 (DE)
	Opt. 2 (FR)
	Opt. 3 (IT)
United Kingdom	0800 0260637

For other unlisted countries: www.keysight.com/find/contactus (BP-9-7-17)

DEKRA Certified
ISO 9001 Quality Management System

www.keysight.com/go/quality
Keysight Technologies, Inc.
DEKRA Certified ISO 9001:2015
Quality Management System

myKeysight

myKeysight

www.keysight.com/find/mykeysight

A personalized view into the information most relevant to you.

www.keysight.com/find/emt_product_registration

Register your products to get up-to-date product information and find warranty information.

KEYSIGHT SERVICES

Accelerate Technology Adoption.
Lower costs.

Keysight Services

www.keysight.com/find/service

Keysight Services can help from acquisition to renewal across your instrument's lifecycle. Our comprehensive service offerings—one-stop calibration, repair, asset management, technology refresh, consulting, training and more—helps you improve product quality and lower costs.



Keysight Assurance Plans

www.keysight.com/find/AssurancePlans

Up to ten years of protection and no budgetary surprises to ensure your instruments are operating to specification, so you can rely on accurate measurements.

Keysight Channel Partners

www.keysight.com/find/channelpartners

Get the best of both worlds: Keysight's measurement expertise and product breadth, combined with channel partner convenience.

