

88.1H RACK MOUNT KIT WITH FRONT HANDLES

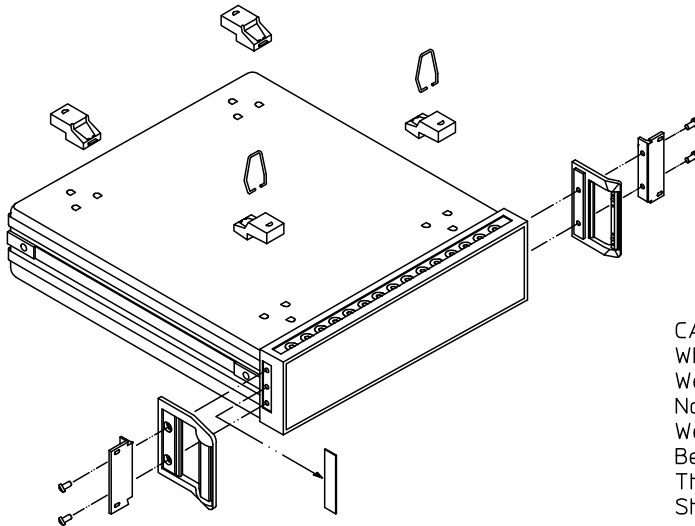
(PRODUCT HT.88.1mm/3.469in)

KEYSIGHT PART NUMBER 1CP004A

SYSTEM II PALLET 2000

CONTENTS

QTY.		PART NO.
2	...RACK MOUNT FLANGE.....	5022-2805
2	...FRONT HANDLE ASSEMBLY.....	5063-9201
4	...M4 X 0.7 X 16 SCREW,PAN HEAD..	0515-1106
4	...DRESS SCREW.....	0570-1577
4	...NUT-SHMET.....	0590-0804



CAUTION: Use Two (2) Handles When Lifting Units That Weigh Over 18.2kg (40lbs). Not To Be Used On Units Weighing Over 36.4kg (80lbs). Bent Handles Indicate Units That Have Been Dropped And Should Be Replaced.

CAUTION: THIS KIT CONTAINS ONLY METRIC HARDWARE. INSTRUMENTS WITH METRIC CABINETS HAVE THE WORD "METRIC" CAST ON TOP OF THE FRONT FRAME (UNDER THE TRIM).'

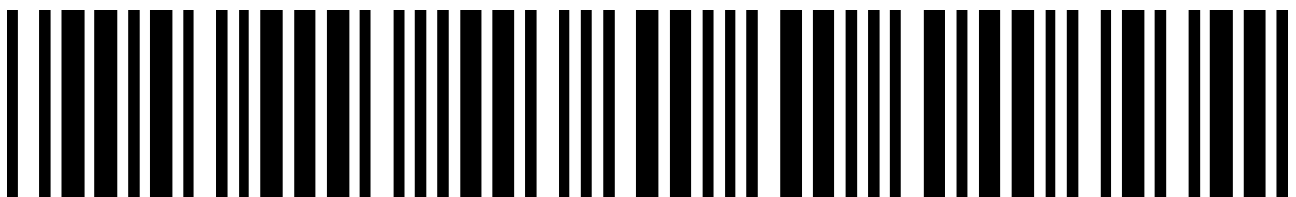
INSTRUCTIONS

1. REMOVE SIDE TRIM STRIPS.
2. ATTACH RACK MOUNT FLANGE AND FRONT HANDLE ASS'Y WITH 2 SCREWS PER SIDE
3. REMOVE FEET AND TILT STANDS BEFORE RACK MOUNTING.

PACKAGED IN MALAYSIA WITH COMPONENTS FROM MALAYSIA AND OTHER COUNTRIES. 12-95 INSTRUCTION SHEET NO. 5959-5133

8

1CP004A



1CP004A