

KEYSIGHT PRIVATE

THIS DOCUMENT AND ANY ASSOCIATED DATA CONTAIN PRIVATE INFORMATION THAT IS KEYSIGHT TECHNOLOGIES PROPERTY. ONLY DISCLOSE OR DUPLICATE FOR OTHERS AS AUTHORIZED BY KEYSIGHT TECHNOLOGIES.

ASSOCIATED 3D MODEL IS GEOMETRY MASTER

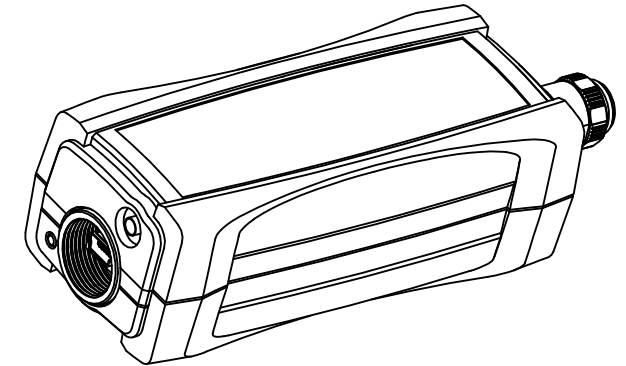
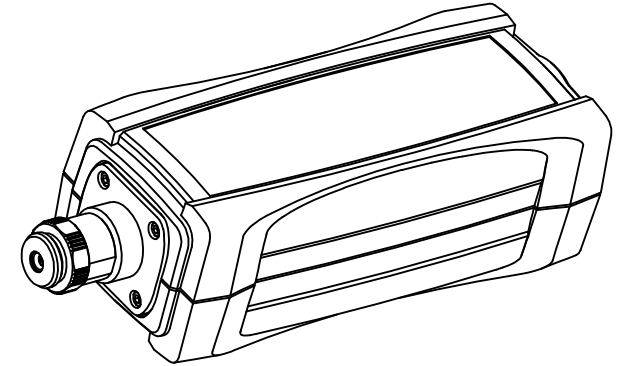
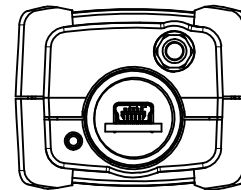
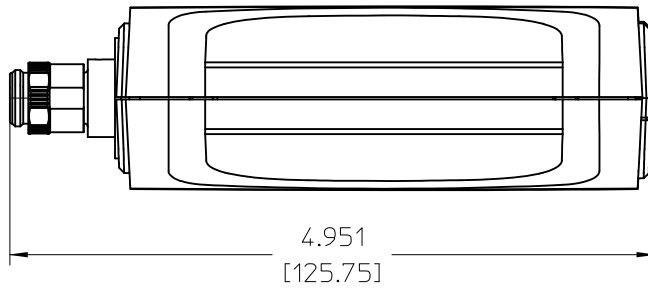
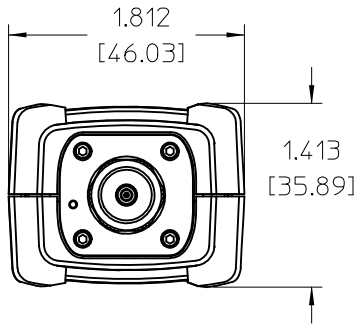
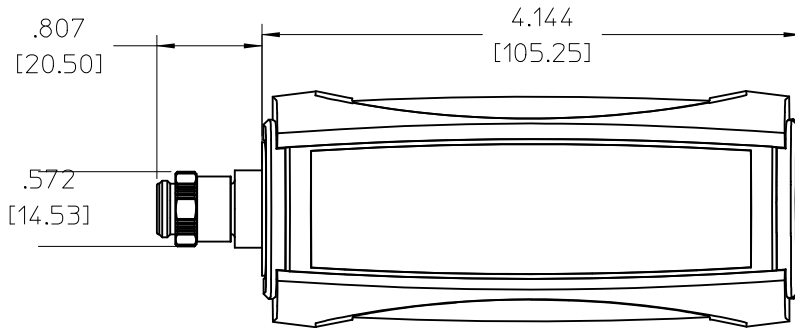
DO NOT MODIFY THE GEOMETRY IN THIS 2D DRAWING. GEOMETRY MODIFICATIONS MUST BE MADE TO THE MASTER 3D MODEL AND USED TO UPDATE THIS DRAWING.

FILE NAME
U8489A.ami

REVISION
-

STORE DATE
2017-05-26

DOCUMENT NUMBER
U8489A




RoHS AND OTHER ENVIRONMENTAL REQUIREMENTS PER 5951-1745-2.

DO NOT SCALE THIS **INCH** DRAWING
GD&T SYMBOLOGY PER ASME Y14.5M-1994

KEYSIGHT
DRAWN BY
2017-05-24
DATE (YYYY-MM-DD)

KEYSIGHT
ENGINEER/CHECKER
2017-05-24
DATE

UNLESS OTHERWISE SPECIFIED
• DIMENSIONS ARE IN INCHES
• THIRD ANGLE PROJECTION 
• ADHERENCE TO DWG A-5951-1561-1 (COMPANY STD. SECTION 608) AND A-5951-1745-1 (GSE) IS REQUIRED

**USB
POWER SENSOR**



TITLE
1 OF 1 SHEET
1X SCALE
B SIZE

PART NUMBER
U8489A

U8489A
DOCUMENT NUMBER