

1

2

3

4

5

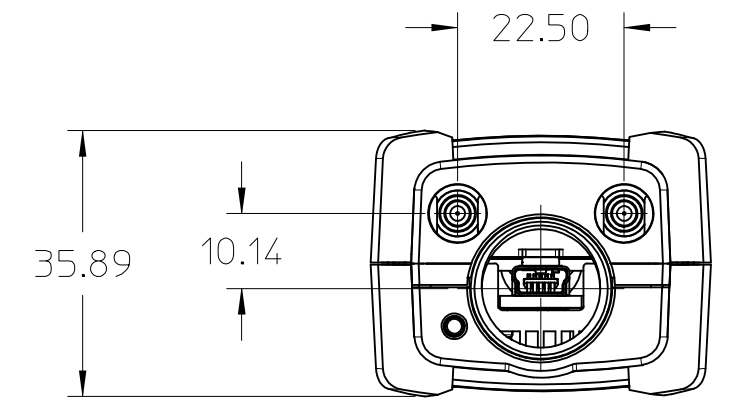
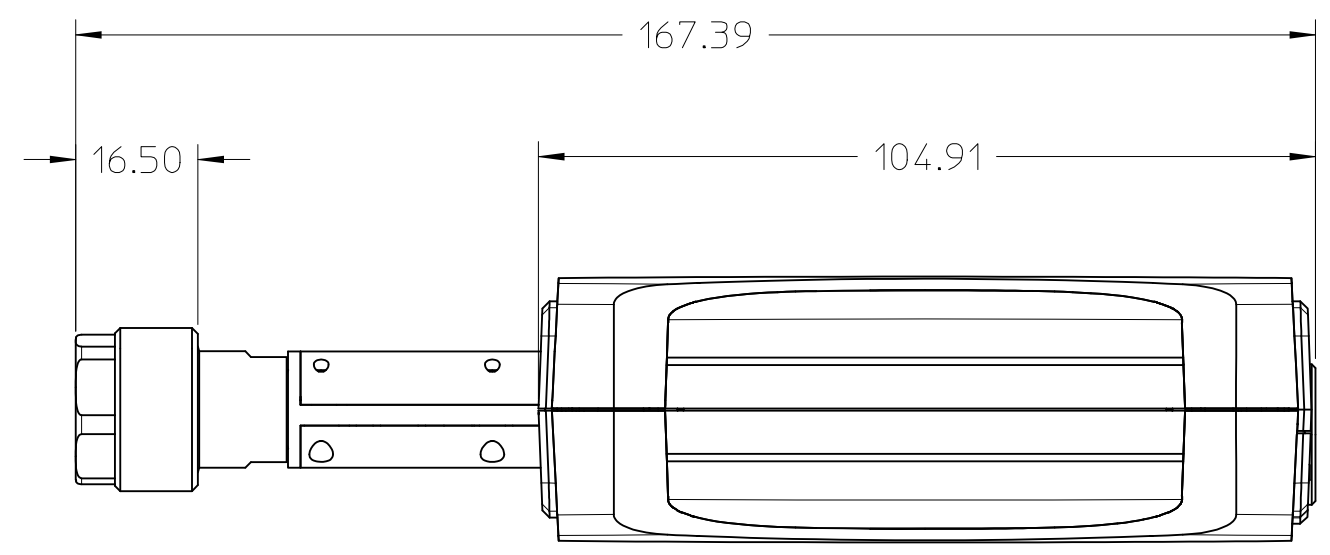
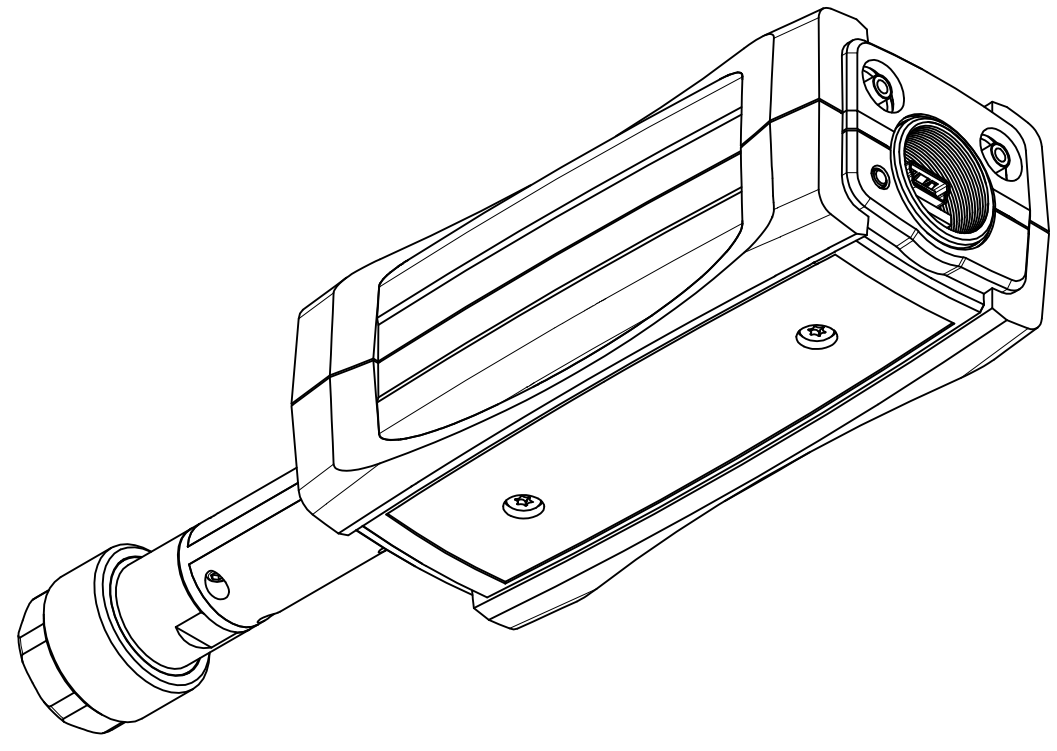
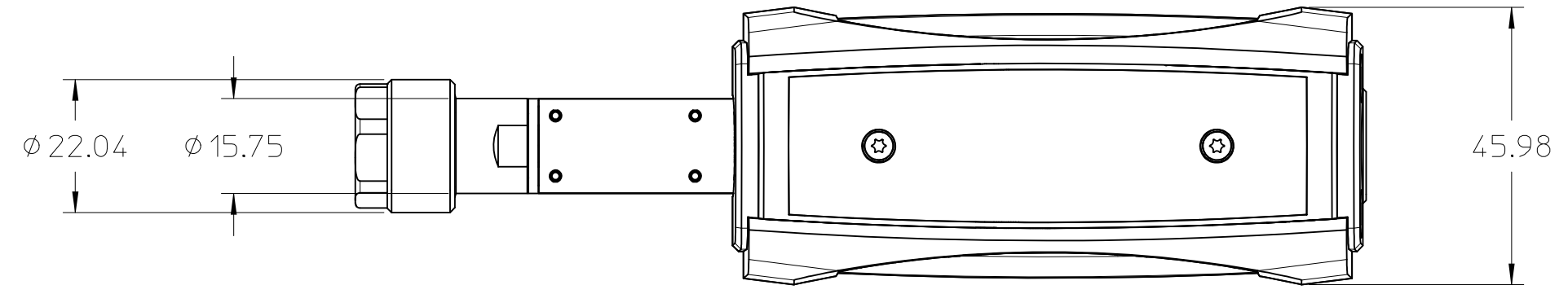
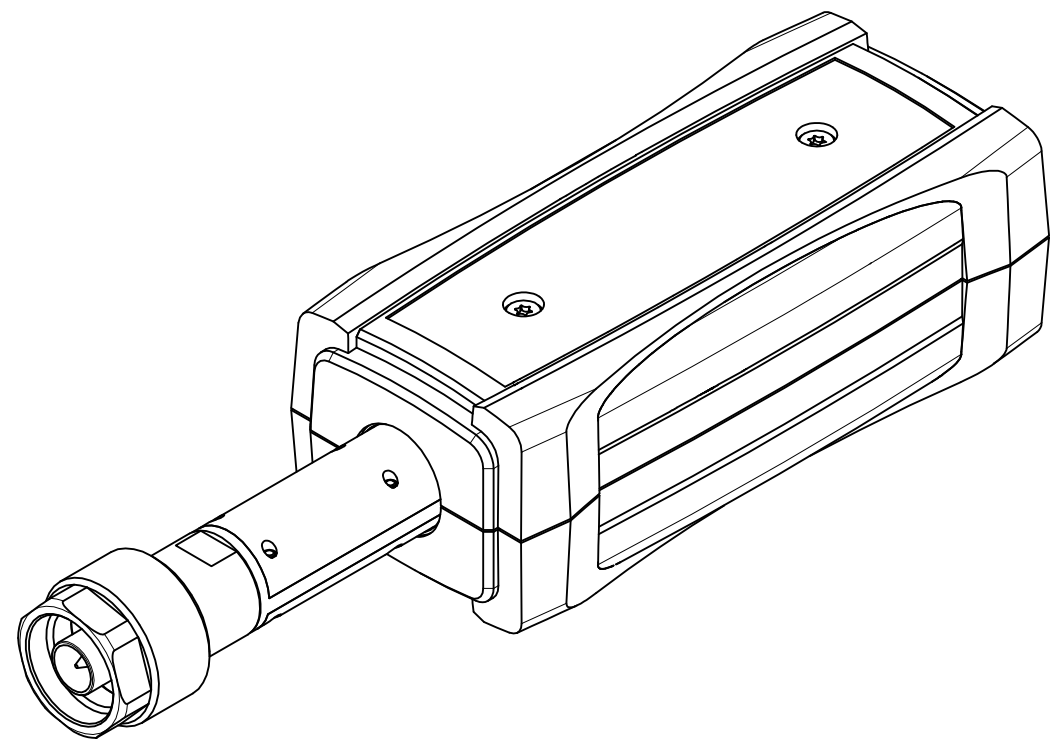
6

FILE NAME
U2041XA-141111.ami

REVISION
-

STORE DATE
2014-11-12

DOCUMENT NUMBER
U2041-N-Seraya



DO NOT SCALE THIS METRIC DRAWING	GD&T SYMBOLY PER ASME Y14.5M-1994	- DRAWN BY	2014-11-12 DATE (YYYY-MM-DD)
		- ENGINEER/CHECKER	2014-11-12 DATE
UNLESS OTHERWISE SPECIFIED • DIMENSIONS ARE IN MILLIMETERS • THIRD ANGLE PROJECTION			
• ADHERENCE TO DWG A-5951-1561-1 (COMPANY STD. SECTION 608) AND A-5951-1745-1 (GSE) IS REQUIRED			

TITLE U2041XA, U2042XA U2043XA, U2044XA		
1 OF 1 SHEET	1X SCALE	C SIZE

	PART NUMBER U2041-N-Seraya
	U2041-N-Seraya DOCUMENT NUMBER

1

2

3

4

5

6