

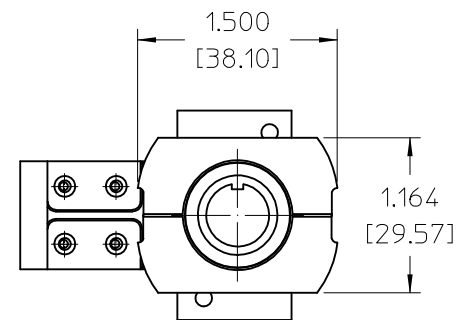
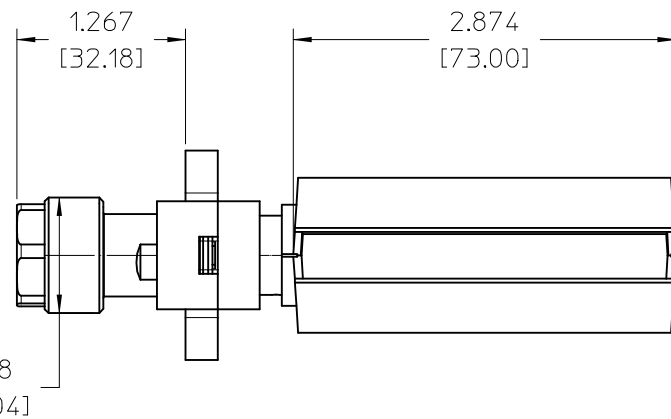
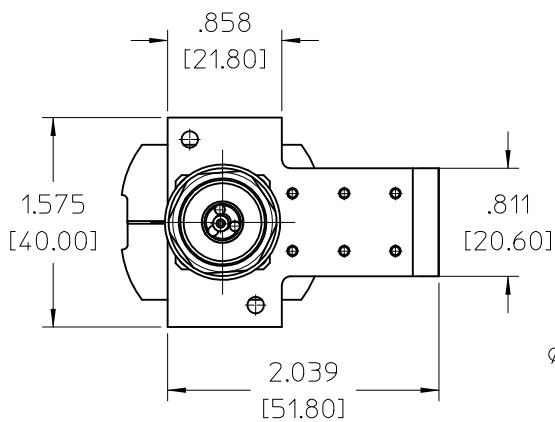
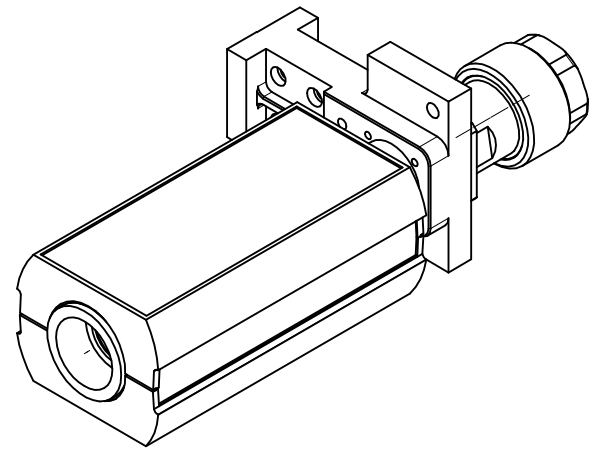
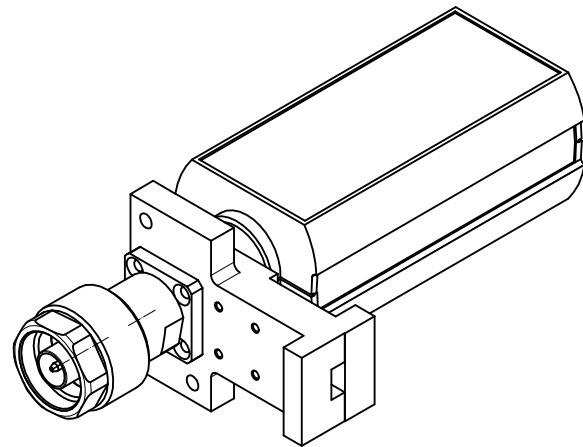
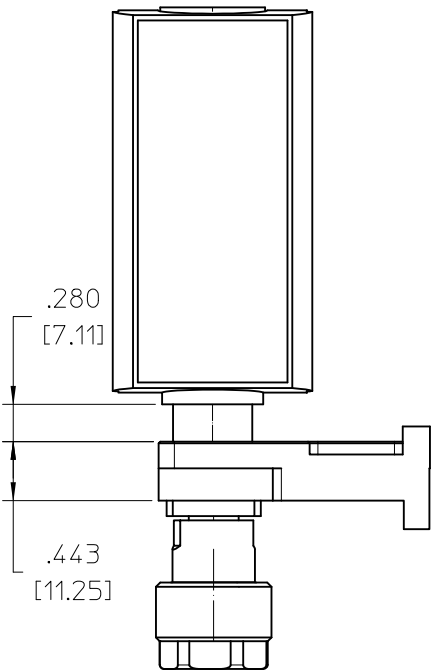
1

2

3

4

5



DO NOT SCALE THIS METRIC DRAWING	GD&T SYMBOLOGY PER ISO 1101 & ISO 5459	DRAWN BY	2014-11-11 DATE (YYYY-MM-DD)	TITLE	FRAME DATE: 2014-05-20	PART NUMBER	
		ENGINEER/CHECKER	2014-11-11 DATE				
UNLESS OTHERWISE SPECIFIED		<ul style="list-style-type: none"> ◦ DIMENSIONS ARE IN MILLIMETERS ◦ THIRD ANGLE PROJECTION ◦ ADHERENCE TO DWG A-5951-1561-1 (COMPANY STD. SECTION 608) AND A-5951-1745-1 (GSE) IS REQUIRED 		1 OF 1 SHEET	1X SCALE	A3 SIZE	R8486D DOCUMENT NUMBER

1

2

3

4

5