

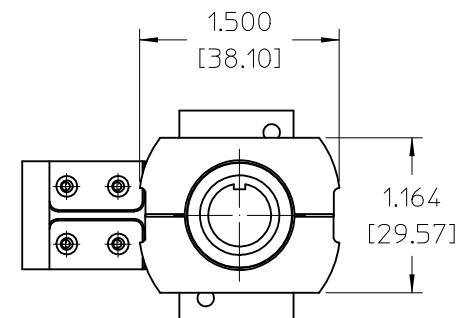
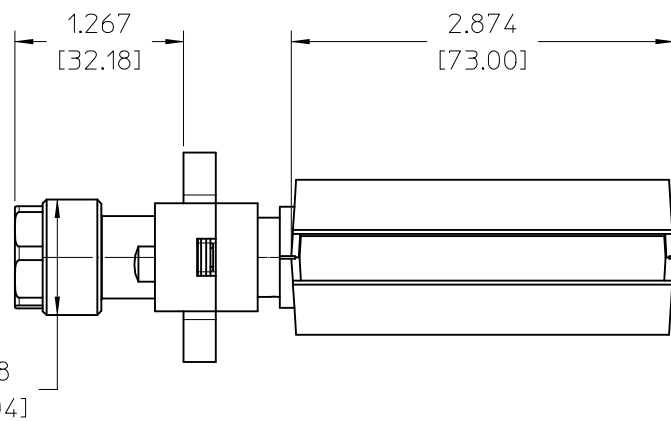
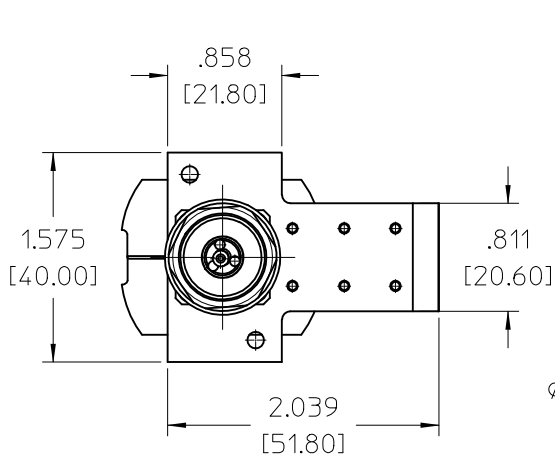
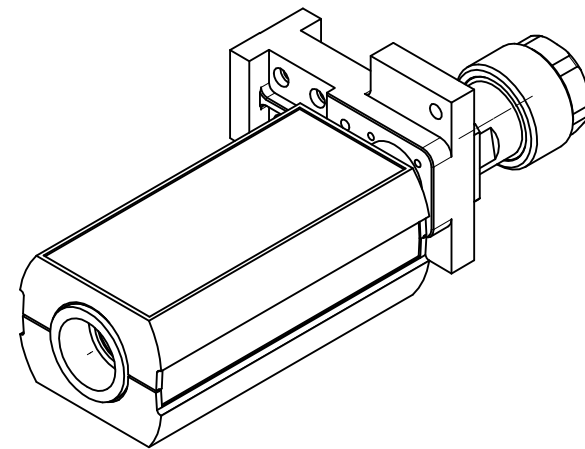
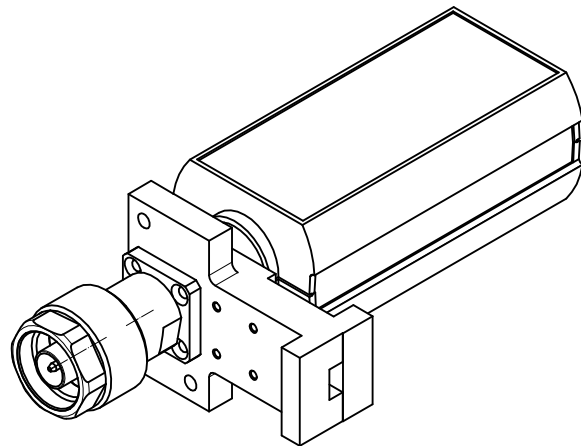
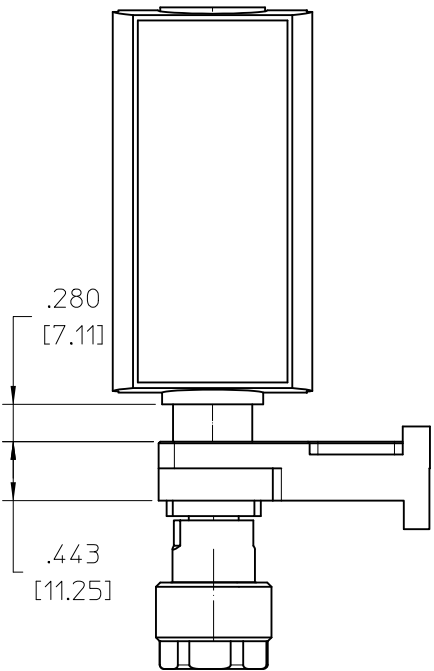
1

2

3

4

5



DO NOT SCALE THIS METRIC DRAWING	GD&T SYMBOLOGY PER ISO 1101 & ISO 5459	DRAWN BY 2014-11-11 DATE (YYYY-MM-DD)	TITLE 1 OF 1 SHEET 1X SCALE A3 SIZE FRAME DATE: 2014-05-20		
	UNLESS OTHERWISE SPECIFIED ° DIMENSIONS ARE IN MILLIMETERS • THIRD ANGLE PROJECTION	ENGINEER/CHECKER 2014-11-11 DATE			
	ADHERENCE TO DWG A-5951-1561-1 (COMPANY STD. SECTION 608) AND A-5951-1745-1 (GSE) IS REQUIRED		DOCUMENT NUMBER		

1

2

3

4

5