

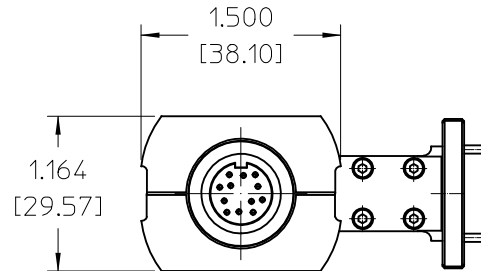
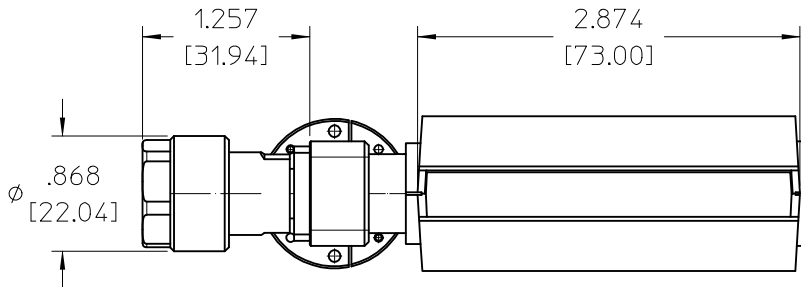
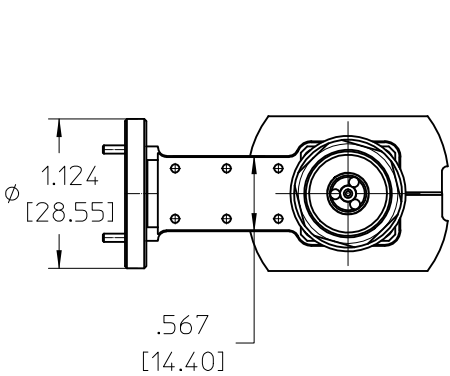
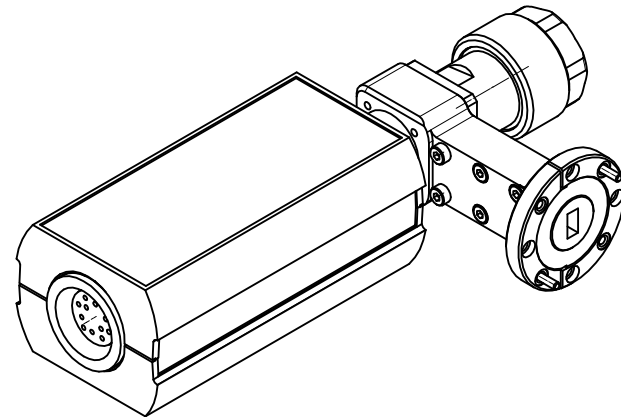
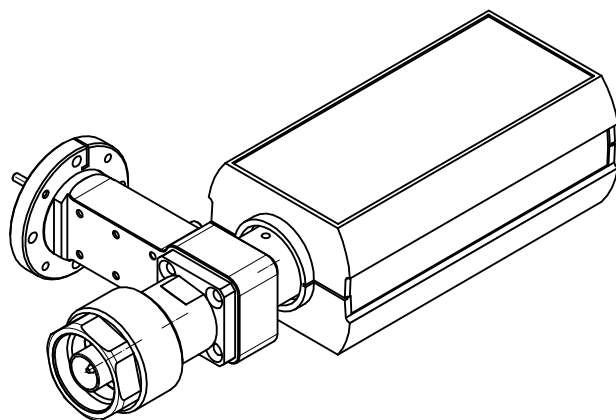
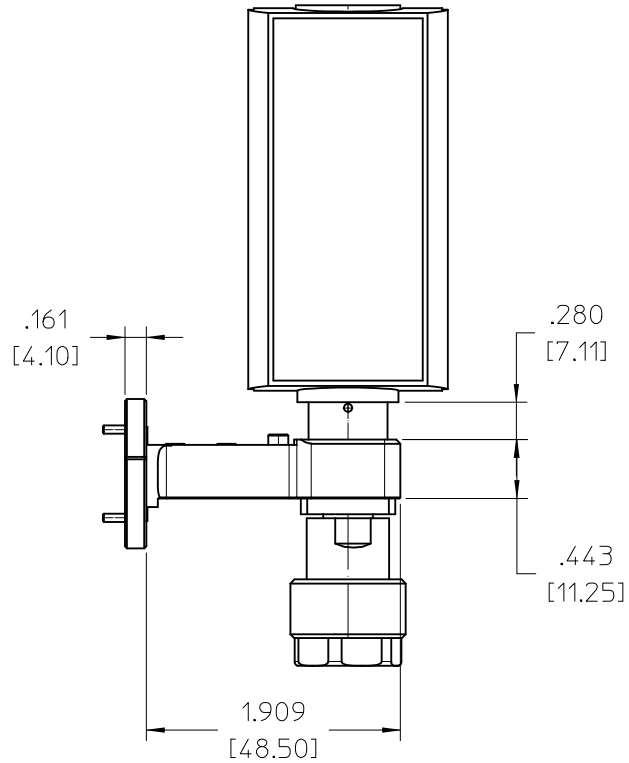
1

2

3

4

5



C

C

B

B

A

A

DO NOT SCALE THIS <b>METRIC</b> DRAWING	GD&T SYMBOLOGY PER ISO 1101 & ISO 5459	DRAWN BY	2014-11-11 DATE (YYYY-MM-DD)		PART NUMBER
	UNLESS OTHERWISE SPECIFIED • DIMENSIONS ARE IN MILLIMETERS • THIRD ANGLE PROJECTION	ENGINEER/CHECKER	2014-11-11 DATE		
		ADHERENCE TO DWG A-5951-1561-1 (COMPANY STD. SECTION 608) AND A-5951-1745-1 (GSE) IS REQUIRED	1 OF 1 SHEET	1X SCALE	A3 SIZE

1

2

3

4

5