

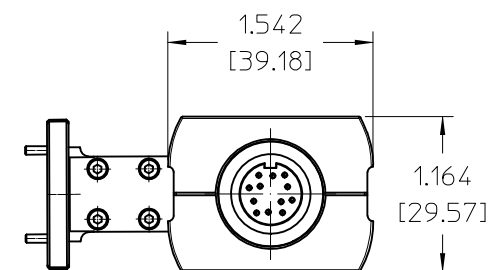
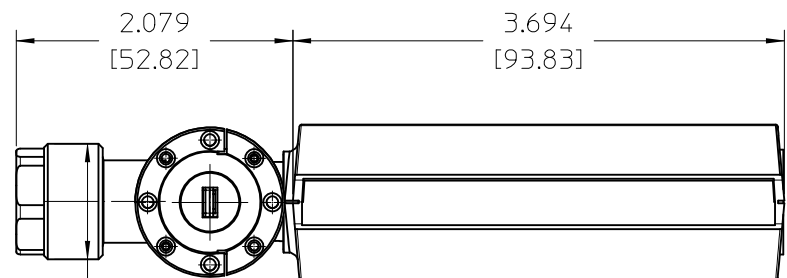
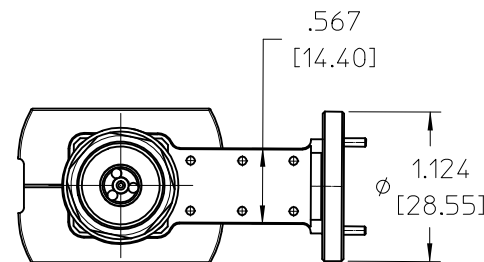
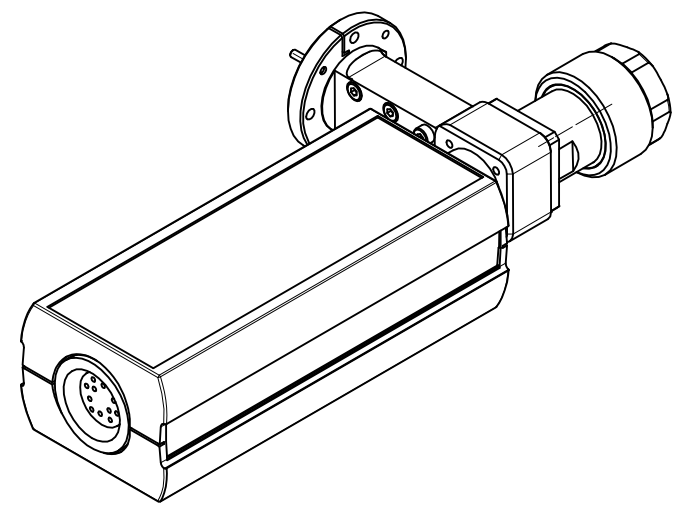
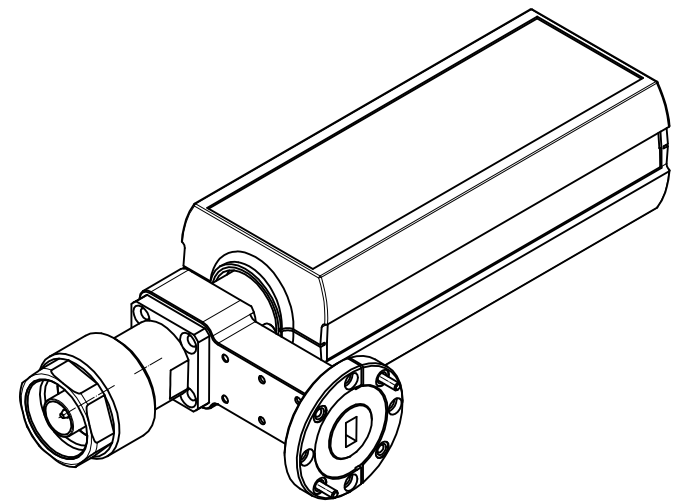
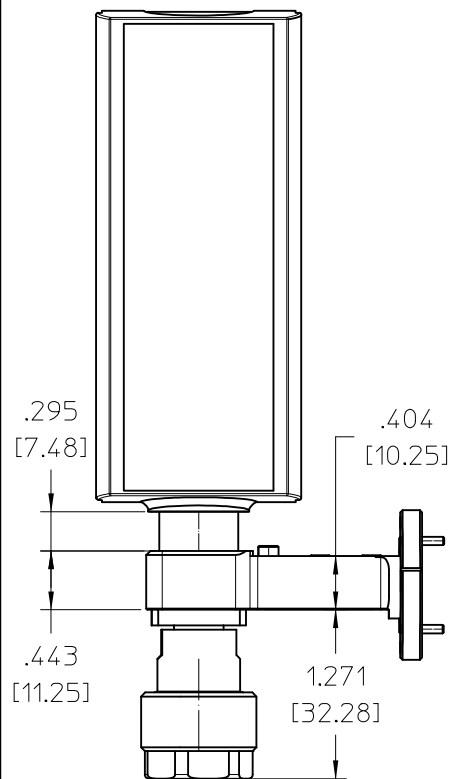
1

2

3

4

5



∅ .868 [22.04]

DO NOT SCALE THIS METRIC DRAWING	GD&T SYMBOLOGY PER ISO 1101 & ISO 5459	DRAWN BY	2014-11-11 DATE (YYYY-MM-DD)	TITLE	1 OF 1 SHEET	1X SCALE	A3 SIZE	PART NUMBER	KEYSIGHT TECHNOLOGIES
		ENGINEER/CHECKER	2014-11-11 DATE						
		UNLESS OTHERWISE SPECIFIED		FRAME DATE: 2014-05-20					
		<ul style="list-style-type: none"> ◦ DIMENSIONS ARE IN MILLIMETERS ◦ THIRD ANGLE PROJECTION ◦ ADHERENCE TO DWG A-5951-1561-1 (COMPANY STD. SECTION 608) AND A-5951-1745-1 (GSE) IS REQUIRED 							

1

2

3

4

5