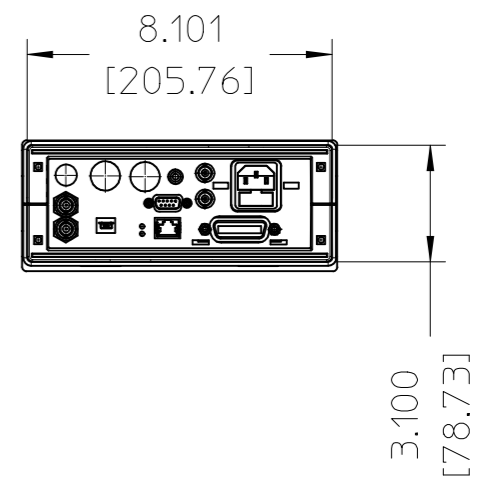
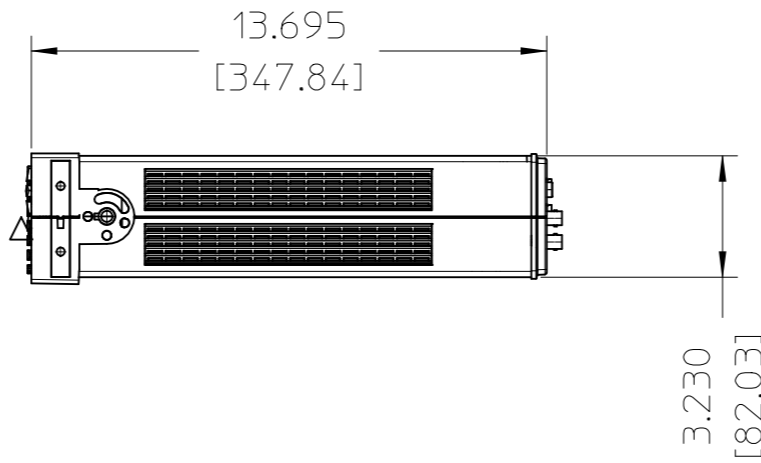
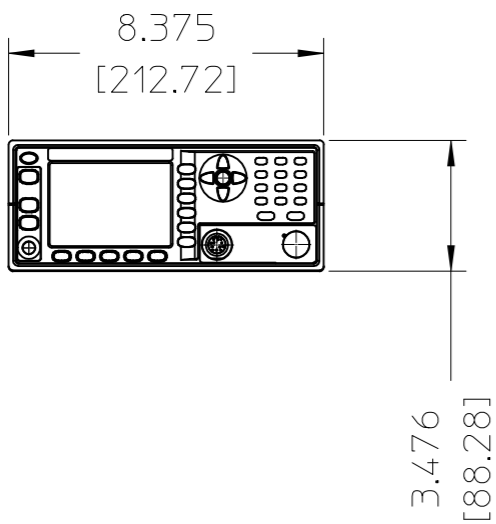
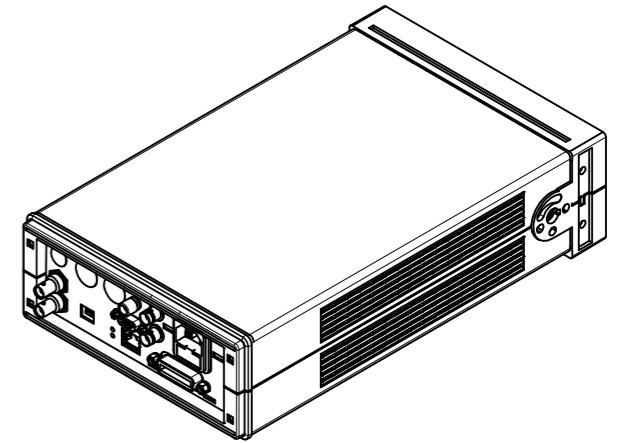
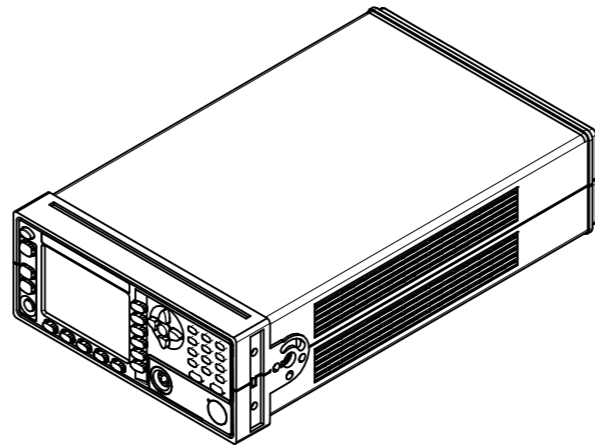
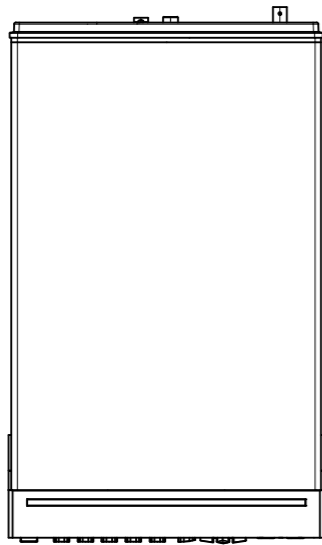


DO NOT SCALE THIS METRIC DRAWING	GD&T SYMBOLOLOGY PER ISO 1101 & ISO 5459	DRAWN BY	2015-02-16 DATE (YYYY-MM-DD)	TITLE			PART NUMBER
		ENGINEER/CHECKER	2015-02-16 DATE				
UNLESS OTHERWISE SPECIFIED		<ul style="list-style-type: none"> • DIMENSIONS ARE IN MILLIMETERS • THIRD ANGLE PROJECTION • ADHERENCE TO DWG A-5951-1561-1 (COMPANY STD. SECTION 608) AND A-5951-1745-1 (GSE) IS REQUIRED 		FRAME DATE: 2014-05-20			N432A DOCUMENT NUMBER

FILE NAME N432A-NR-270317.ami	REVISION -	STORE DATE 2017-03-27	DOCUMENT NUMBER N432A
----------------------------------	---------------	--------------------------	---------------------------------



DO NOT SCALE THIS METRIC DRAWING	GD&T SYMBOLOGY PER ISO 1101 & ISO 5459	DRAWN BY	2015-02-16 DATE (YYYY-MM-DD)	WITHOUT RUBBER BUMPER & HOLDER	
		ENGINEER/CHECKER	2015-02-16 DATE		
UNLESS OTHERWISE SPECIFIED				TITLE	FRAME DATE: 2014-05-20
<ul style="list-style-type: none"> DIMENSIONS ARE IN MILLIMETERS THIRD ANGLE PROJECTION ADHERENCE TO DWG A-5951-1561-1 (COMPANY STD. SECTION 608) AND A-5951-1745-1 (GSE) IS REQUIRED 				1 OF 1 SHEET	0.2X SCALE
				A3 SIZE	PART NUMBER N432A DOCUMENT NUMBER