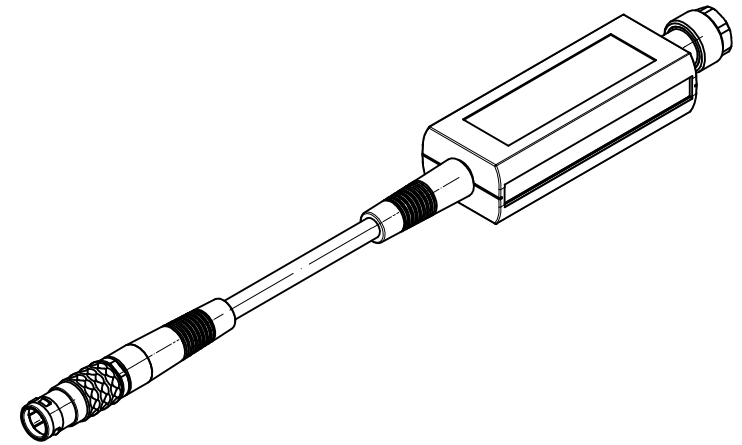
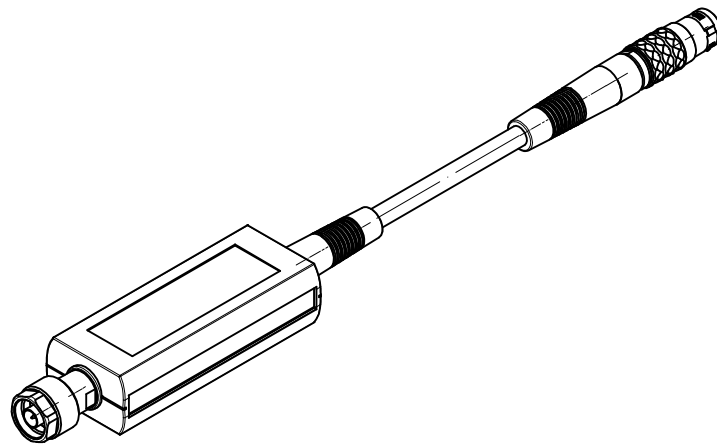


1.654  
[42.00]

1.087  
[27.60]



7.260  
[184.40]

1.179  
[29.94]

4.201  
[106.71]

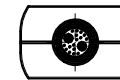
1.880  
[47.75]

4.031  
[102.38]

.581  
[14.76]

∅ .868  
[22.04]

∅ .689  
[17.50]



DO NOT SCALE THIS <b>METRIC</b> DRAWING	GD&T SYMBOLOGY PER ISO 1101 & ISO 5459	DRAWN BY	2014-12-16 DATE (YYYY-MM-DD)		PART NUMBER
		ENGINEER/CHECKER	2014-12-16 DATE		
UNLESS OTHERWISE SPECIFIED		TITLE		FRAME DATE: 2014-05-20	
<ul style="list-style-type: none"> <li>◦ DIMENSIONS ARE IN MILLIMETERS</li> <li>◦ THIRD ANGLE PROJECTION </li> <li>◦ ADHERENCE TO DWG A-5951-1561-1 (COMPANY STD. SECTION 608) AND A-5951-1745-1 (GSE) IS REQUIRED</li> </ul>		1 OF 1 SHEET	0.5X SCALE	A3 SIZE	N1923A DOCUMENT NUMBER