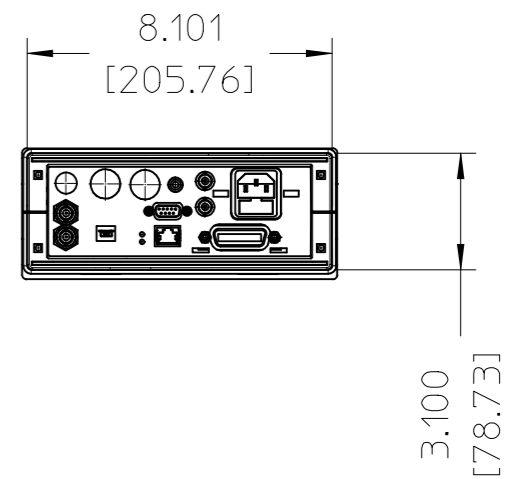
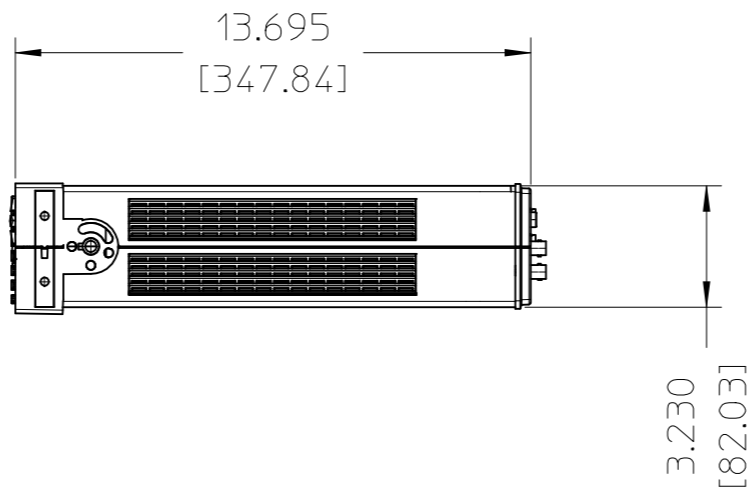
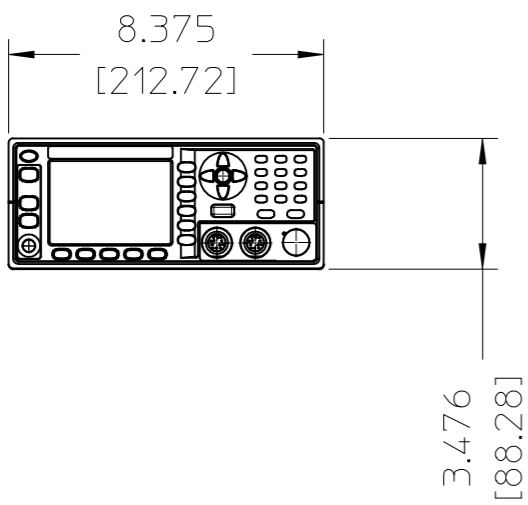
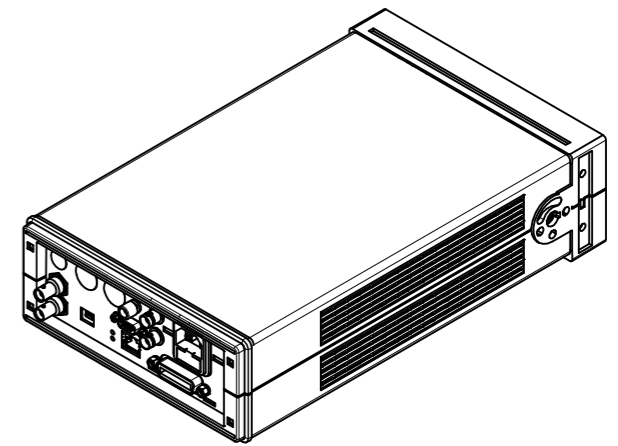
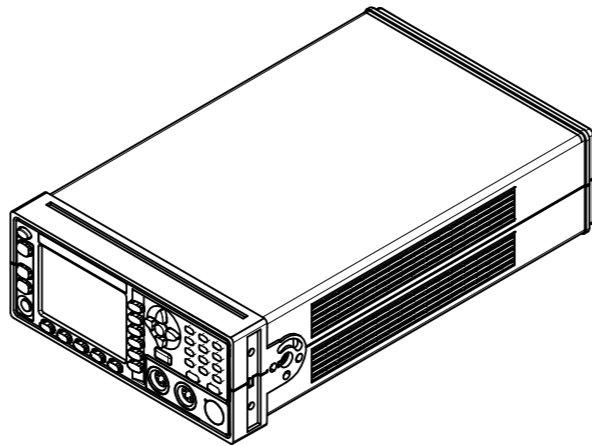
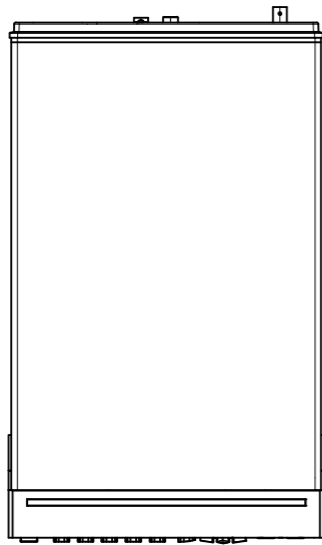


| | | | | | | | |
|---|---|------------------|---------------------------------|--|--------------|------------|------------------------|
| DO NOT SCALE THIS METRIC DRAWING | GD&T SYMBOLY PER ISO 1101 & ISO 5459 | DRAWN BY | 2015-02-16 DATE (YYYY-MM-DD) | | | | PART NUMBER |
| | | ENGINEER/CHECKER | 2015-02-16 DATE | | | | |
| UNLESS OTHERWISE SPECIFIED • DIMENSIONS ARE IN MILLIMETERS • THIRD ANGLE PROJECTION | | 1 OF 1 SHEET | | | 1:5 SCALE | A3 SIZE | FRAME DATE: 2014-05-20 |

| | | | |
|-----------------------------------|---------------|--------------------------|----------------------------------|
| FILE NAME N1914A-NR-270317.ami | REVISION - | STORE DATE 2017-03-27 | DOCUMENT NUMBER N1914A |
|-----------------------------------|---------------|--------------------------|----------------------------------|



| | | | | | |
|---|--|------------------|---------------------------------|---|---|
| DO NOT SCALE THIS METRIC DRAWING | GD&T SYMBOLOGY PER ISO 1101 & ISO 5459 | DRAWN BY | 2015-02-16 DATE (YYYY-MM-DD) | WITHOUT RUBBER BUMPER & HANDLE | |
| | | ENGINEER/CHECKER | 2015-02-16 DATE | | |
| UNLESS OTHERWISE SPECIFIED | | | | TITLE | FRAME DATE: 2014-05-20 |
| <ul style="list-style-type: none"> ° DIMENSIONS ARE IN MILLIMETERS ° THIRD ANGLE PROJECTION ° ADHERENCE TO DWG A-5951-1561-1 (COMPANY STD. SECTION 608) AND A-5951-1745-1 (GSE) IS REQUIRED | | | | 1 OF 1 SHEET | 0.2X SCALE |
| | | | | A3 SIZE | PART NUMBER N1914A DOCUMENT NUMBER |