

DO NOT SCALE THIS <b>METRIC</b> DRAWING	GD&T SYMBOLOLOGY PER ISO 1101 & ISO 5459	DRAWN BY	2015-02-16 DATE (YYYY-MM-DD)			
		ENGINEER/CHECKER	2015-02-16 DATE			
UNLESS OTHERWISE SPECIFIED		TITLE			FRAME DATE: 2014-05-20	
<ul style="list-style-type: none"> <li>• DIMENSIONS ARE IN MILLIMETERS</li> <li>• THIRD ANGLE PROJECTION </li> <li>• ADHERENCE TO DWG A-5951-1561-1 (COMPANY STD. SECTION 608) AND A-5951-1745-1 (GSE) IS REQUIRED</li> </ul>		1 OF 1 SHEET	1:5 SCALE	A3 SIZE	N1913A DOCUMENT NUMBER	

1

2

3

4

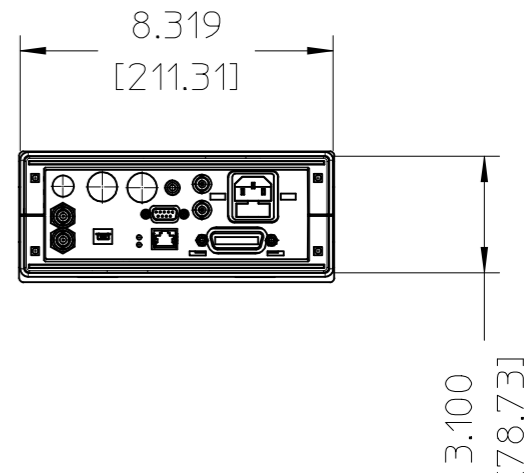
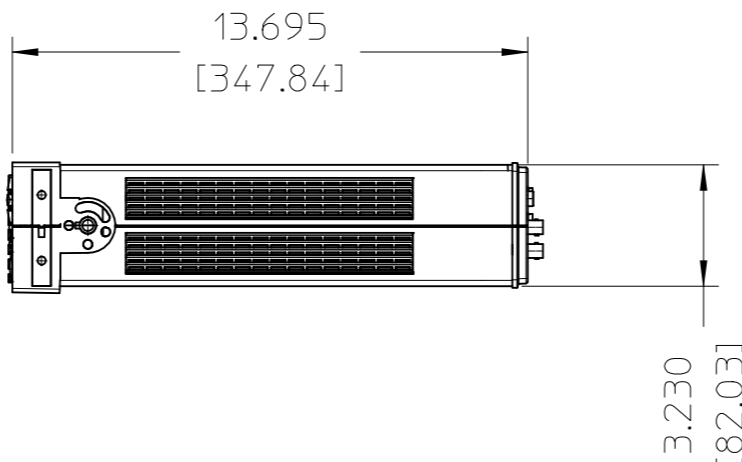
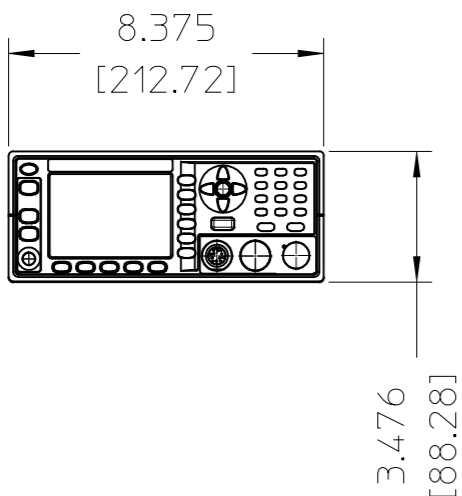
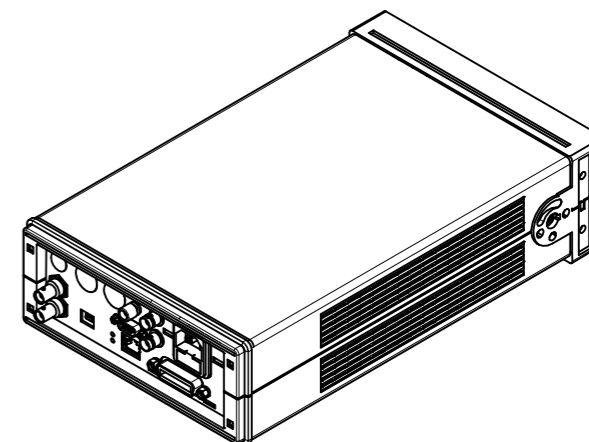
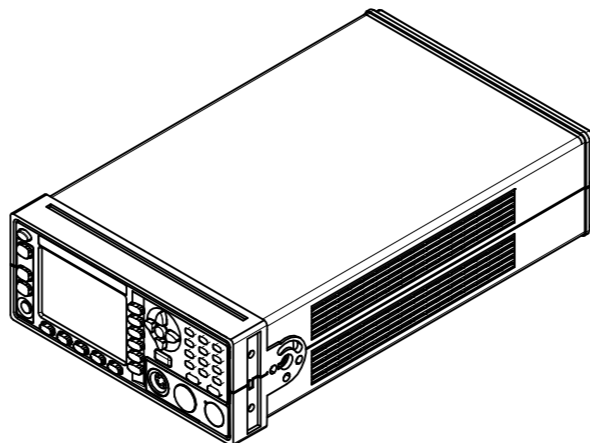
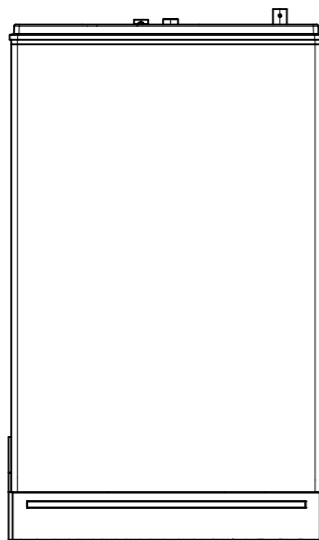
5

FILE NAME  
N1913A-NR-270317.ami

REVISION  
-

STORE DATE  
2017-03-27

DOCUMENT NUMBER  
**N1913A**



DO NOT SCALE THIS  
**METRIC**  
DRAWING

GD&T SYMBOLOGY  
PER  
ISO 1101 & ISO 5459

DRAWN BY  
2015-02-16  
DATE (YYYY-MM-DD)

ENGINEER/CHECKER  
2015-02-16  
DATE

UNLESS OTHERWISE SPECIFIED

- ° DIMENSIONS ARE IN MILLIMETERS
- ° THIRD ANGLE PROJECTION
- ° ADHERENCE TO DWG A-5951-1561-1 (COMPANY STD. SECTION 608) AND A-5951-1745-1 (GSE) IS REQUIRED

**WITHOUT RUBBER  
BUMPER & HANDLE**

TITLE

1 OF 1  
SHEET

0.2X  
SCALE

**A3**  
SIZE

FRAME DATE: 2014-05-20

**KEYSIGHT  
TECHNOLOGIES**

PART  
NUMBER

**N1913A**  
DOCUMENT NUMBER

1

2

3

4

5

C

C

B

B

A

A