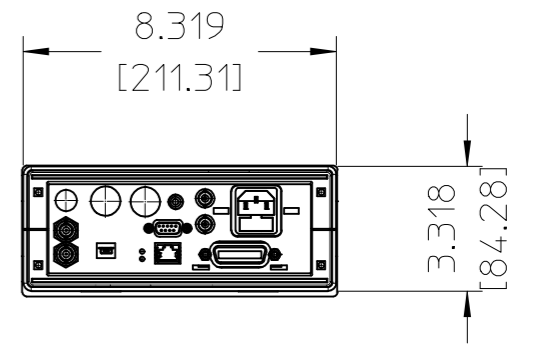
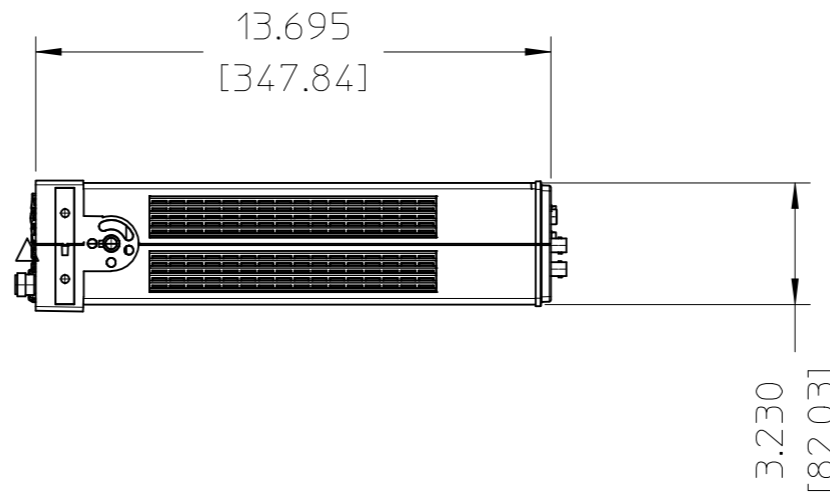
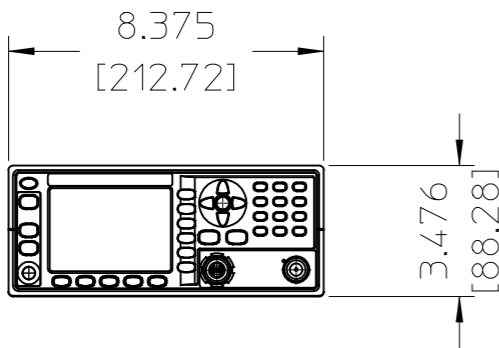
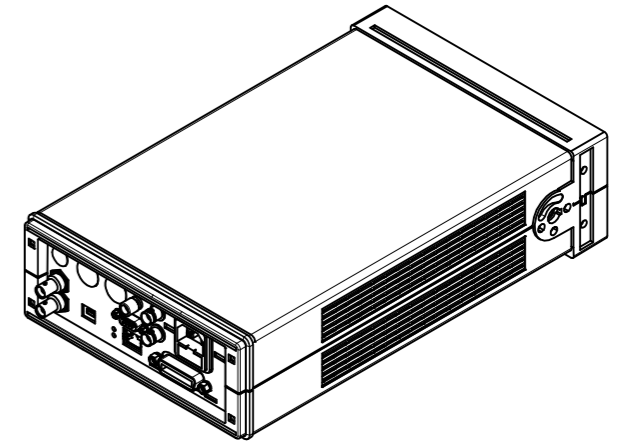
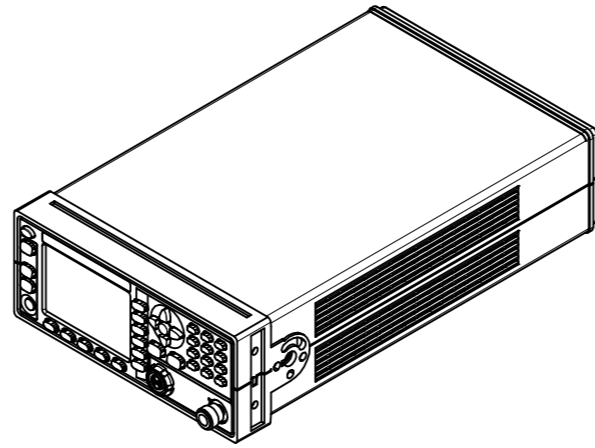
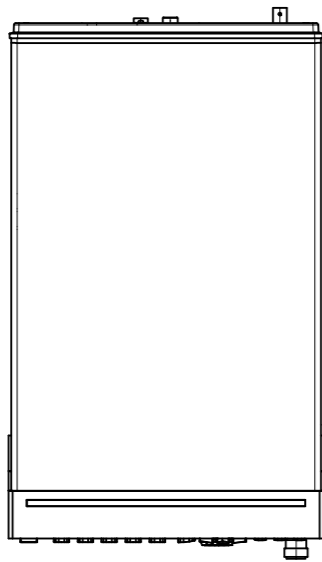


DO NOT SCALE THIS <b>METRIC</b> DRAWING	GD&T SYMBOLOLOGY PER ISO 1101 & ISO 5459	DRAWN BY	2015-02-16 DATE (YYYY-MM-DD)			
		ENGINEER/CHECKER	2015-02-16 DATE			
UNLESS OTHERWISE SPECIFIED		TITLE			FRAME DATE: 2014-05-20	
<ul style="list-style-type: none"> <li>DIMENSIONS ARE IN MILLIMETERS</li> <li>THIRD ANGLE PROJECTION </li> <li>ADHERENCE TO DWG A-5951-1561-1 (COMPANY STD. SECTION 608) AND A-5951-1745-1 (GSE) IS REQUIRED</li> </ul>		1 OF 1 SHEET	1:5 SCALE	A3 SIZE	N1911A DOCUMENT NUMBER	



DO NOT SCALE THIS <b>METRIC</b> DRAWING	GD&T SYMBOLOGY PER ISO 1101 & ISO 5459	DRAWN BY	2015-02-16 DATE (YYYY-MM-DD)	<b>WITHOUT RUBBER BUMPER &amp; HANDLE</b>	
		ENGINEER/CHECKER	2015-02-16 DATE		
UNLESS OTHERWISE SPECIFIED				TITLE	FRAME DATE: 2014-05-20
<ul style="list-style-type: none"> <li>DIMENSIONS ARE IN MILLIMETERS</li> <li>THIRD ANGLE PROJECTION </li> <li>ADHERENCE TO DWG A-5951-1561-1 (COMPANY STD. SECTION 608) AND A-5951-1745-1 (GSE) IS REQUIRED</li> </ul>				1 OF 1 SHEET	0.2X SCALE
				<b>A3</b> SIZE	PART NUMBER <b>N1911A</b> DOCUMENT NUMBER