

1

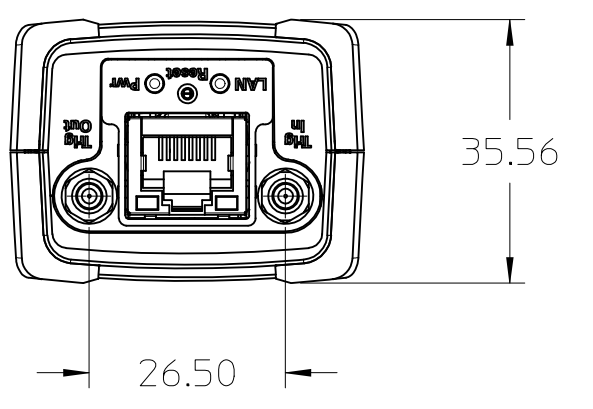
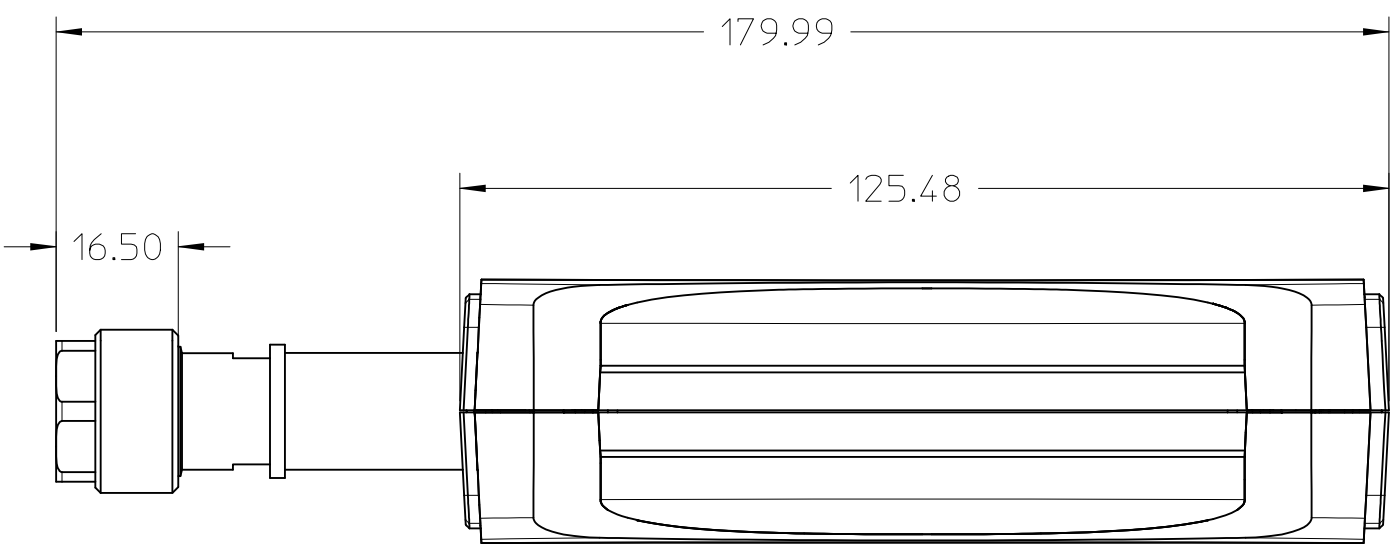
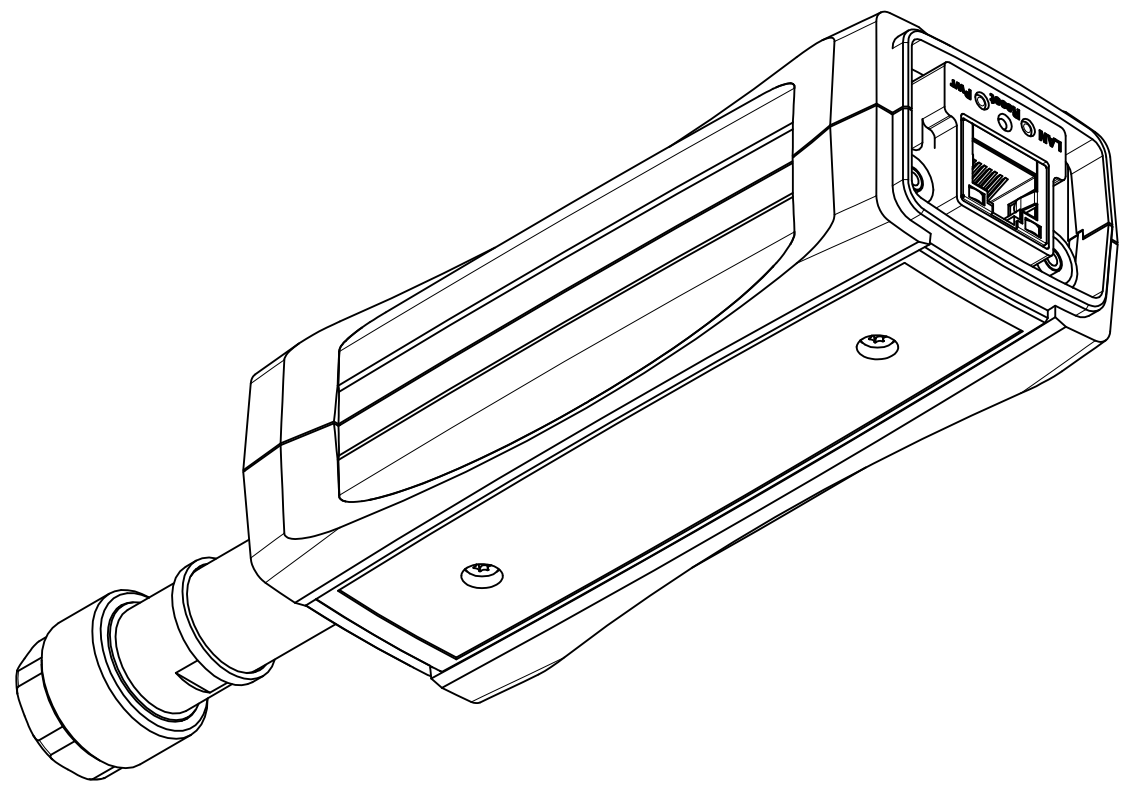
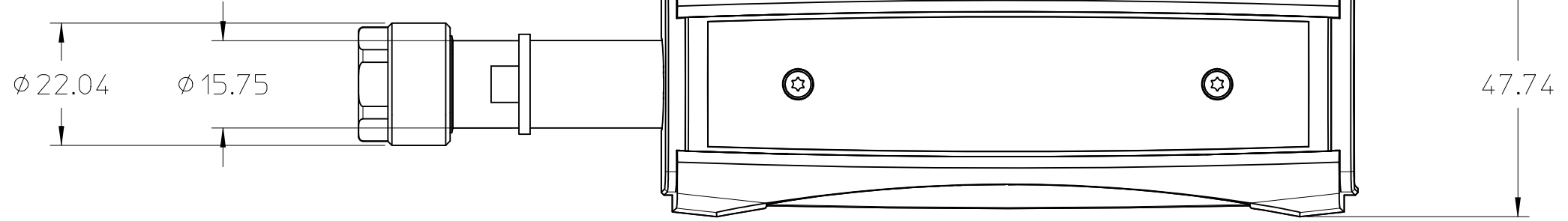
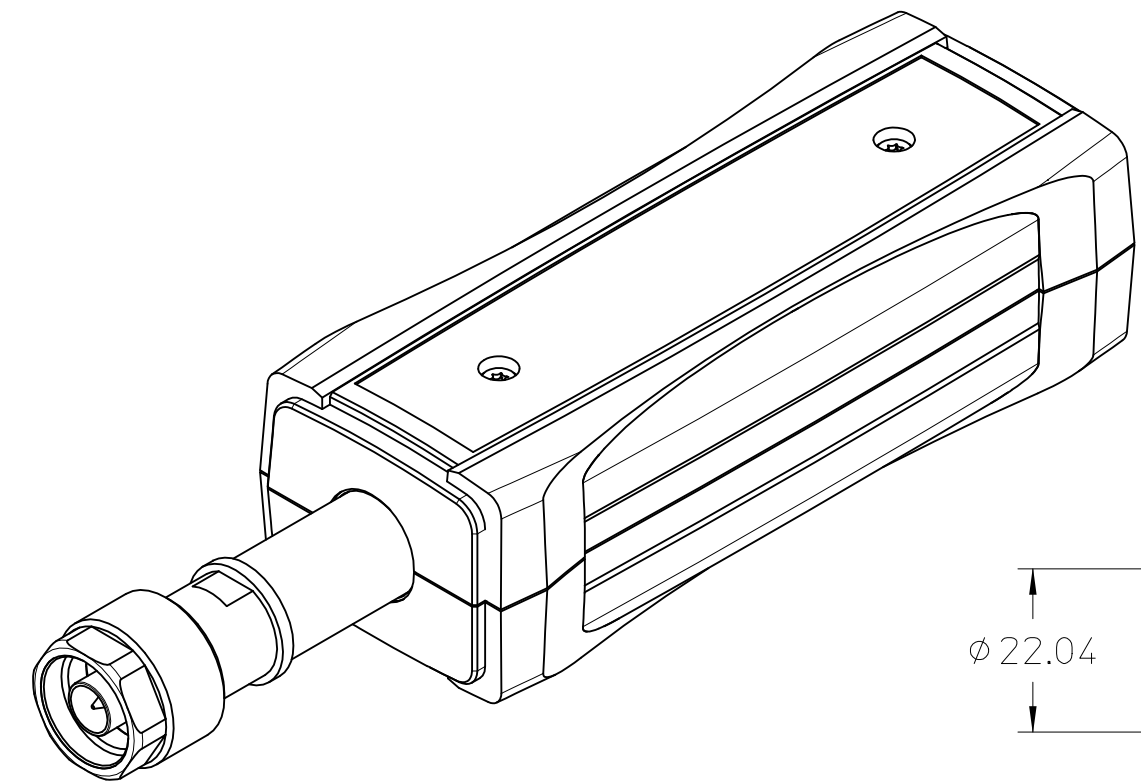
2

3

4

5

6



DO NOT SCALE THIS DRAWING	GD&T SYMBOLY PER ASME Y14.5M-1994	DRAWN BY	2018-08-24 DATE (YYYY-MM-DD)	L2051XA, L2052XA L2061XA, L2062XA	
		ENGINEER/CHECKER	2018-08-24 DATE		
		UNLESS OTHERWISE SPECIFIED		TITLE	FRAME DATE: 2014-05-20
		<ul style="list-style-type: none"> <li>DIMENSIONS ARE IN MILLIMETERS</li> <li>THIRD ANGLE PROJECTION</li> <li>ADHERENCE TO DWG A-5951-1561-1 (COMPANY STD. SECTION 608) AND A-5951-1745-1 (GSE) IS REQUIRED</li> </ul>		1 OF 1 SHEET	1X SCALE
				C SIZE	U2045-66513 DOCUMENT NUMBER