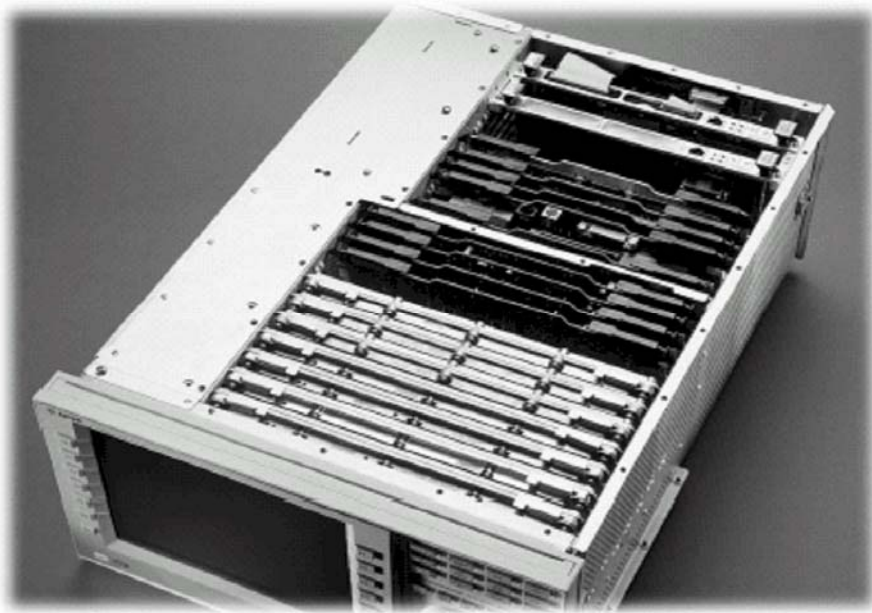


# Installation Note

---

**Agilent Technologies 8960 Wireless Communication Test Set  
Add Option 002 Second Source and EDGE Hardware  
Kit Part Number: E5515BU-622 and E5515CU-622**



## **Notice**

*The information contained in this document is subject to change without notice.*

Agilent Technologies makes no warranty of any kind with regard to this material, including but not limited to, the implied warranties of merchantability and fitness for a particular purpose. Agilent Technologies shall not be liable for errors contained herein or for incidental or consequential damages in connection with the furnishing, performance, or use of this material.



E5515-90309



**Agilent Technologies**

**Agilent Technologies 8960 Wireless Communication Test Set  
Add Option 002 Second Source with EDGE Hardware  
Kit Part Number: E5515BU-622 and E5515CU-622**

|   |  |
|---|--|
| <b>Product Affected:</b> .....            | E5515B or E5515C   |
| <b>Serial Numbers:</b> .....              | All  |
| <b>Applications Supported:</b> .....      | All  |
| <b>To Be Performed By:</b> .....          | (X) Agilent Technologies Service Center<br>(X) Personnel Qualified by Agilent Technologies<br>( ) Customer |
| <b>Estimated Installation Time:</b> ..... | 3 hours  |
| <b>Estimated Verification Time:</b> ..... | 1 hours  |

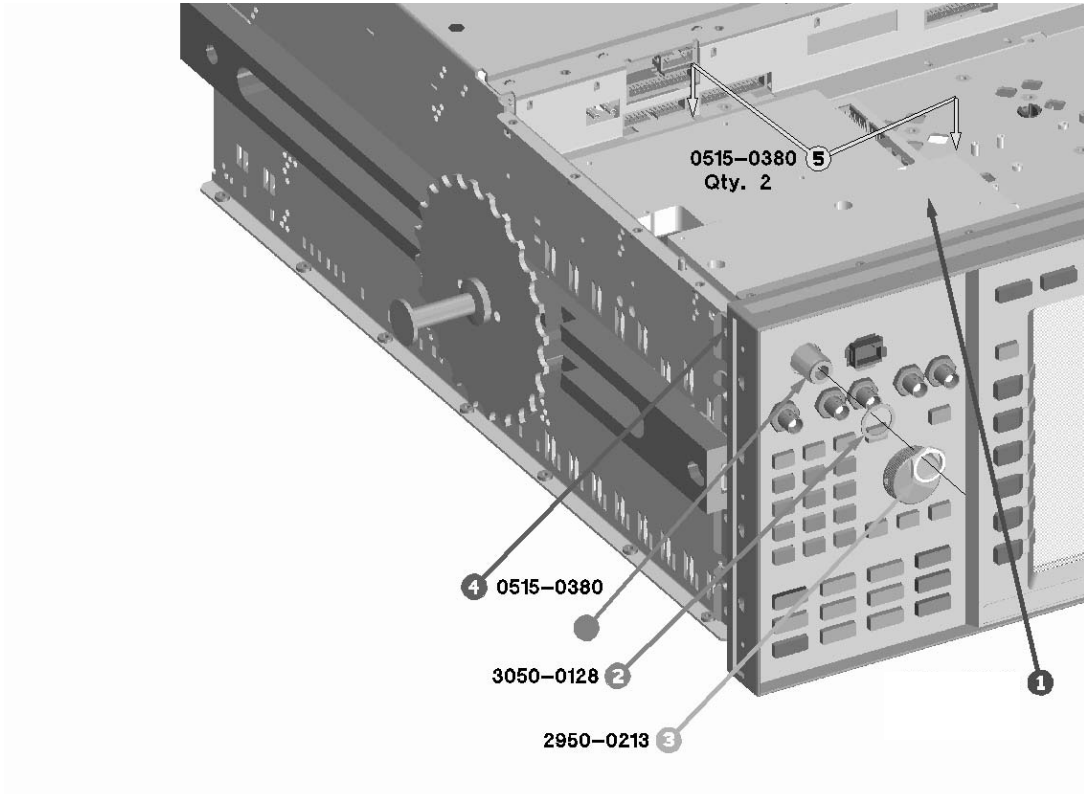
**Introduction**

This kit has the parts required to install the second source (option 002) at an Agilent Technologies Service Center.

**Installation Kit Parts List**

| Item | Qty | Description        |
|------|-----|--------------------|
| 1    | 4   | Screw M4X45mm-LG   |
| 2    | 2   | Screw M3.0X8mm-LG  |
| 4    | 1   | Screw M3X6mm-LG    |
| 5    | 1   | Locking Clip       |
| 6    | 3   | Cable Clamp        |
| 7    | 1   | Serial Label       |
| 8    | 1   | Shorting Spring    |
| 9    | 1   | Cable Shield       |
| 11   | 2   | TDMA Baseband Gen  |
| 12   | 1   | Realtime Interface |
| 13   | 1   | CA AY-SR Source    |
| 14   | 1   | CA AY-SR Output    |
| 15   | 1   | Cable              |
| 16   | 1   | Synth Doubler Mod  |
| 17   | 1   | Vector Output Mod  |
| 18   | 1   | 3GHz Attenuator Ay |

**Print 002 865 on Serial Label according to order**



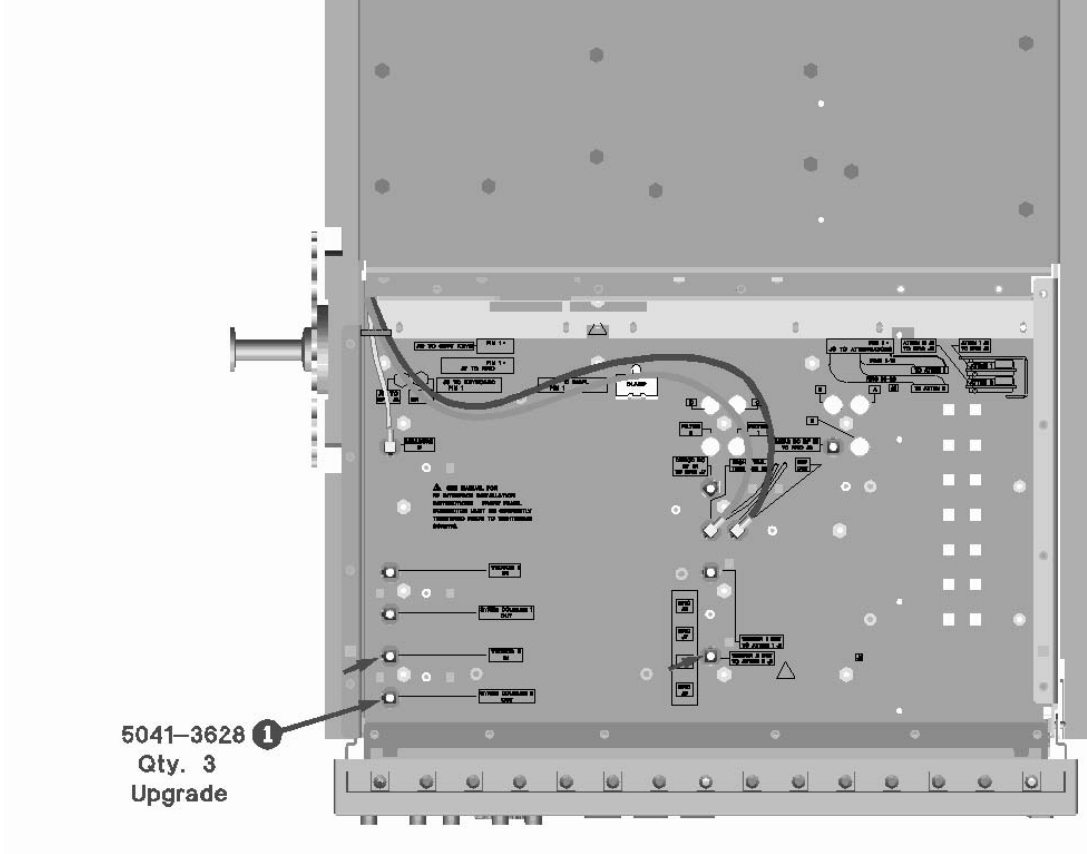
**STEP 1:** Remove the RF Interface module.

**STEP 2:** Remove the shorting spring that secures the cables on the bottom of the test set. There are 4 screws that hold the shorting spring in place.

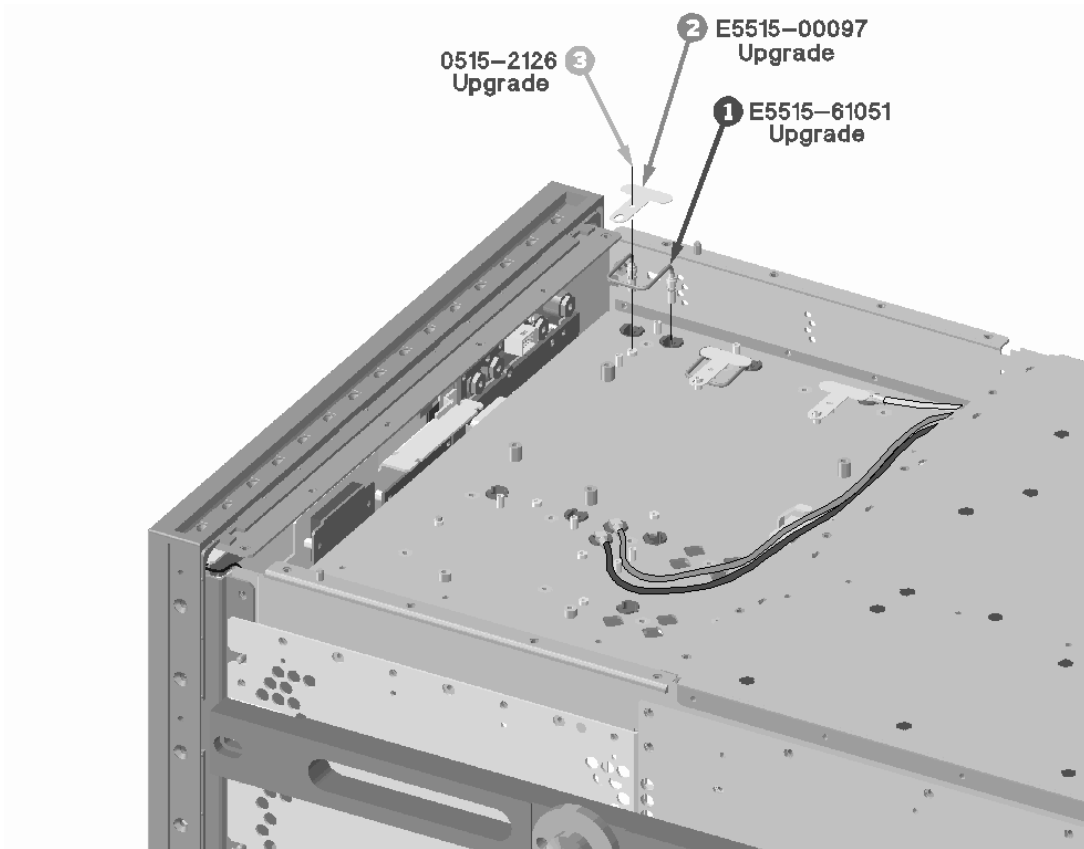
**STEP 3:** Install the 5041-3628 cable clamps into the following holes in the bottom of the test set. The cable clamps are held in place after turning 1/8 of a turn in a clockwise direction.

1. VECTOR 2 OUT TO ATTEN 2 J1
2. VECTOR 2 IN
3. SIG GEN 2 OUT

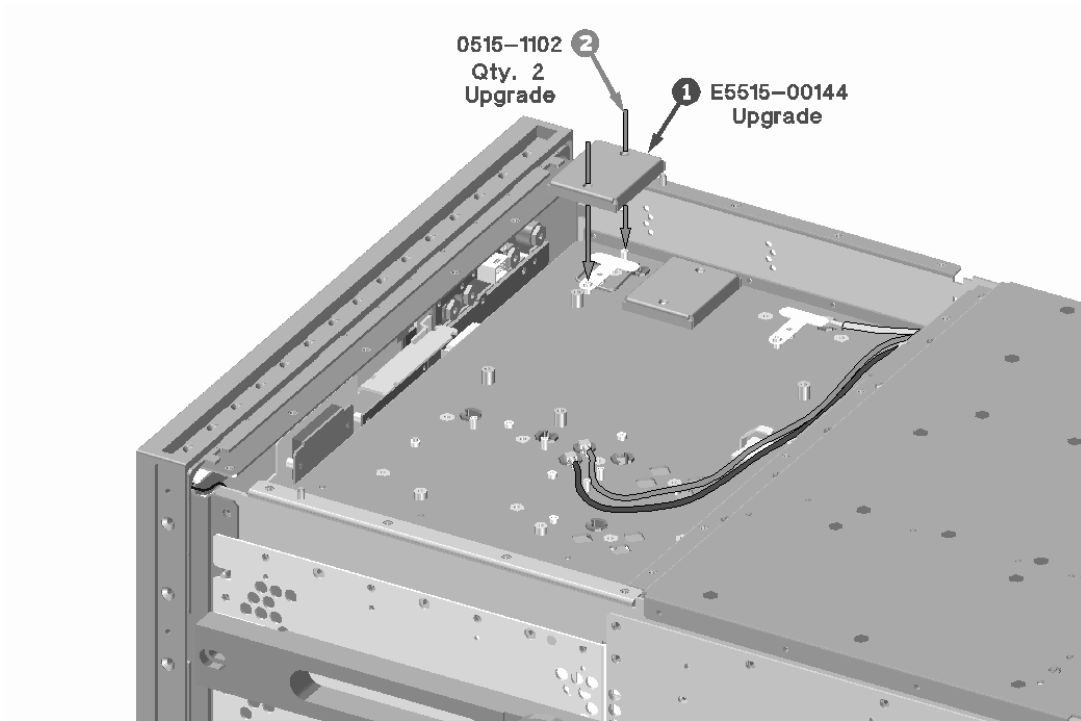
**STEP 4:** Install the E5515-61051 cable into the cable clamps marked VECTOR 2 IN and SYTH DOUBLER 2 OUT. Push the cable into the cable clamps until it snaps into place.



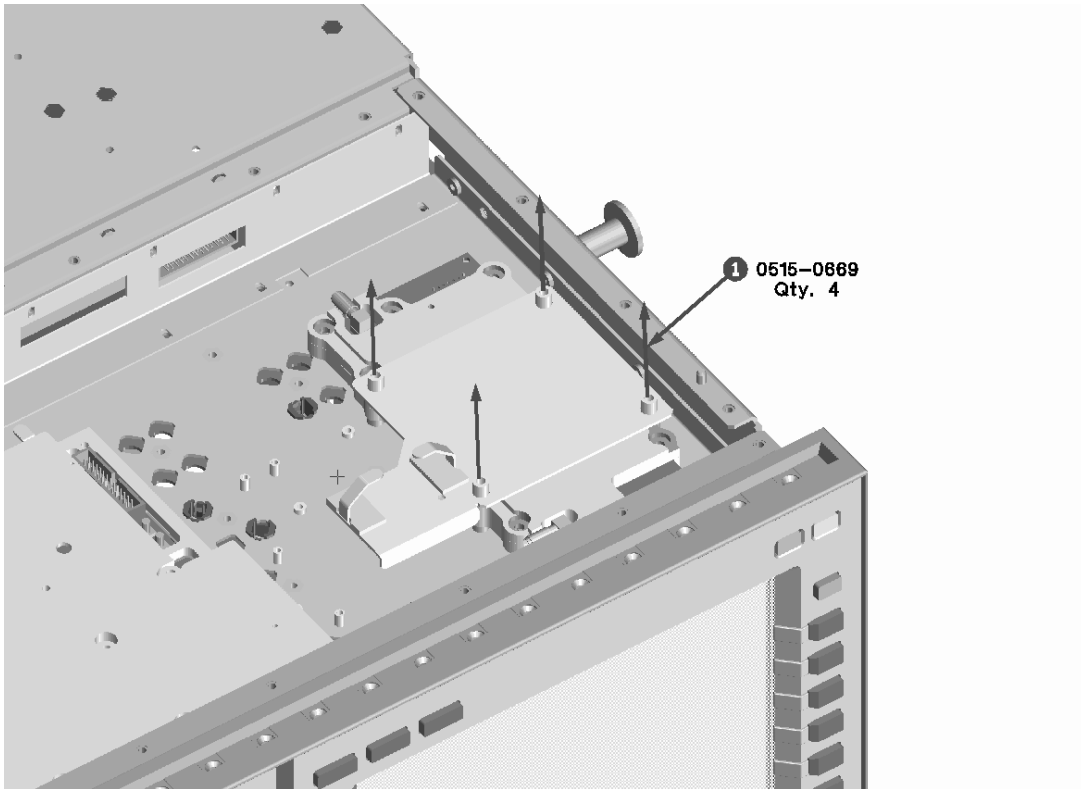
**STEP 5:** Install the E5515-00097 shorting spring on top of the E5515-61051 cable. Secure the shorting spring with a 0515-2126 screw. Tighten the screw with a T-10 Torx driver set to 9 in.lbs.



**STEP 6:** Place the E5515-00144 cable shield over the E5515-61051 cable and secure it in place using two 0515-1102 screws. Tighten the screws with a T-10 Torx driver set to 9 in.lbs.

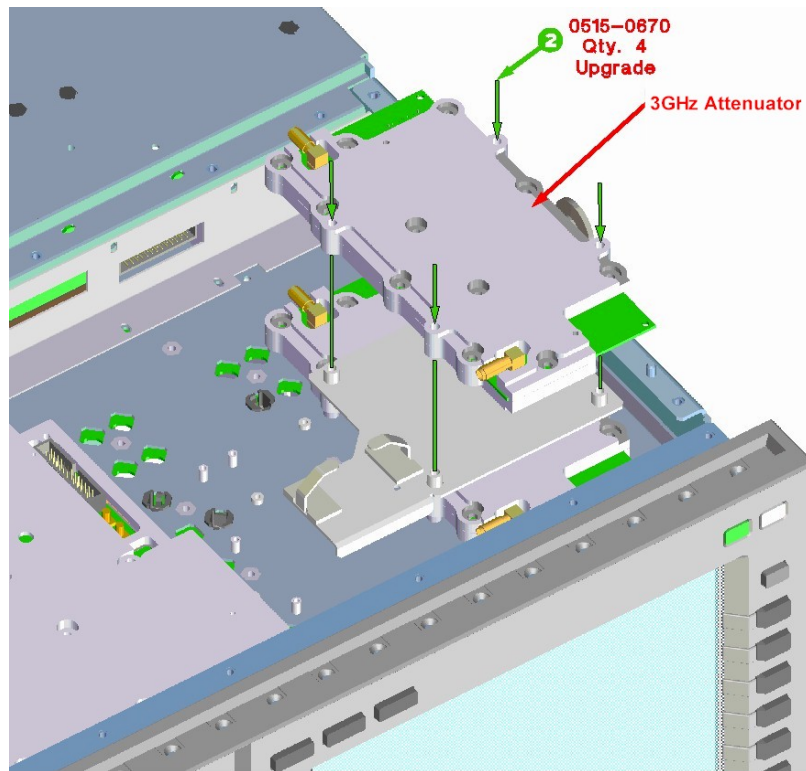


**STEP 7:** Remove and discard the 4 mounting screws from the existing attenuator assembly.



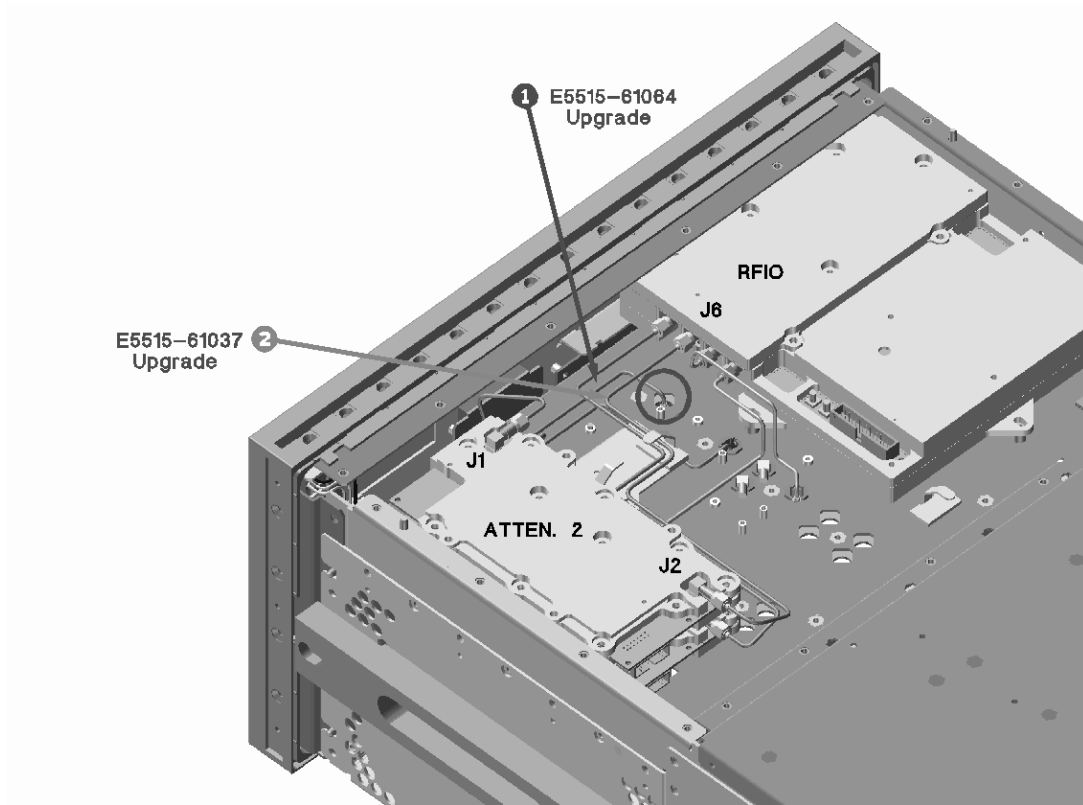
**NOTE:** It would be important to install the new Attenuator in to the bottom position (source 1) so the instrument could have Fast Tune capabilities.

**STEP 8:** Install the 3GHz Attenuator from the kit so the spacer plate is between the first source Attenuator and the second source Attenuator. Secure both Attenuators with 4, 0515-0670 screws from the kit. Tighten the screws with a T-20 Torx driver set to 21 in.lbs. The spacer plate is mounted on top of the first source attenuator; it is not part of the kit.



**STEP 9:** Install E5515-61064 cable into the VECTOR 2 OUT TO ATTEN 2 J1 hole in the bottom of the test set. Push the cable into the cable clamp until it snaps into place.

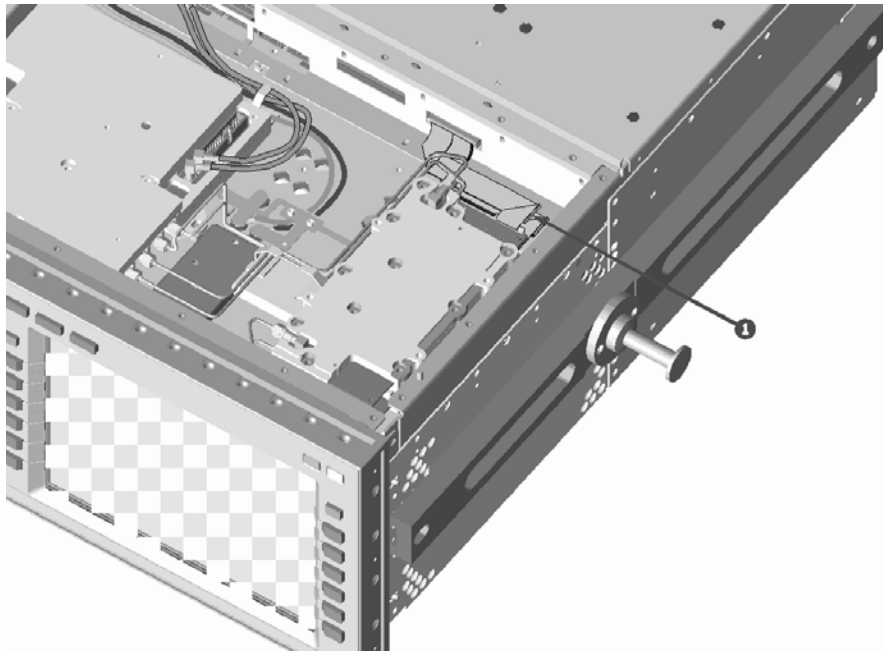




**STEP 10:** Attach the E5515-61064 cable to the input connector on the attenuator from the kit. Tighten the cable with a 5/16" wrench set to 9 in.lbs.

**STEP 11:** Attach the E5515-61037 cable to the output connector of the attenuator from the kit. Route the cable under the clamp on the attenuator spacer plate and secure the clamp. Tighten the cable with a 5/16" wrench to 9 in.lbs.

**STEP 12:** Attach the unused connector from the attenuator ribbon cable to the J3 connector on the attenuator from the kit.

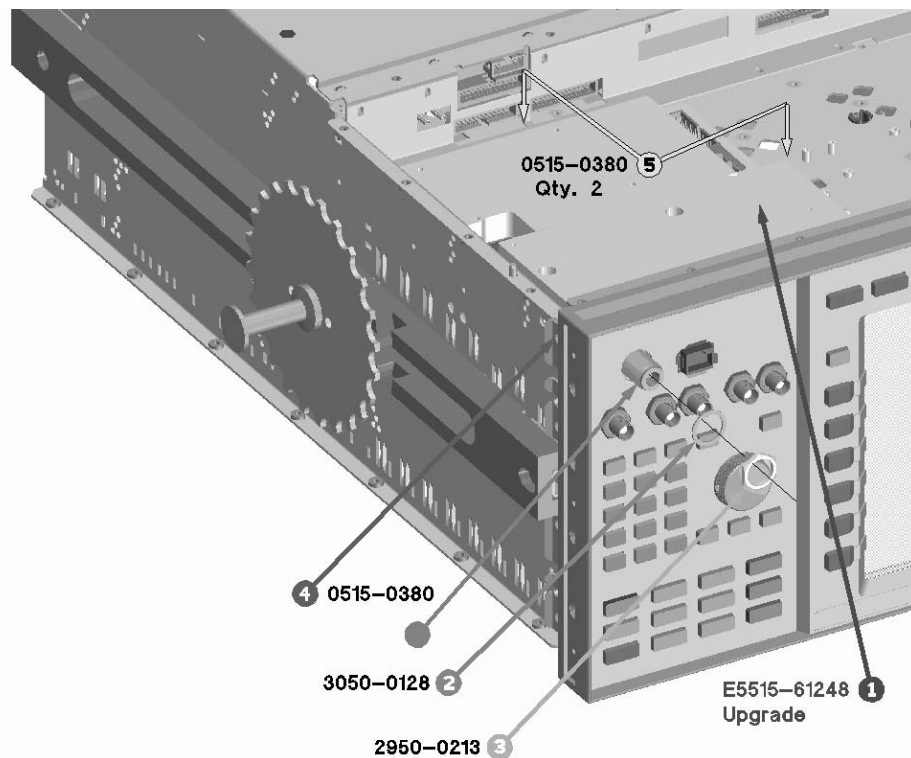


**STEP 13:** Re-install the shorting spring that you removed earlier. Tighten the 4 screws with a T-10 Torx driver to 9 in.lbs.

**STEP 14:** Re-install the RF Interface into the test set. Insert the 3 mounting screws but don't tighten yet.

1. Tighten the nuts on the front panel with a 19mm socket to 42 in.lbs.

2. Tighten the three mounting screws with a T-15 Torx driver to 21 in.lbs.



**STEP 15:** Attach all the cables to the RF Interface. Tighten the 4 semi-rigid cables with a 5/16" wrench to 9 in.lbs.

**STEP 16:** Install the 1252-2219 locking clip from the kit onto the RF Interface ribbon cable.

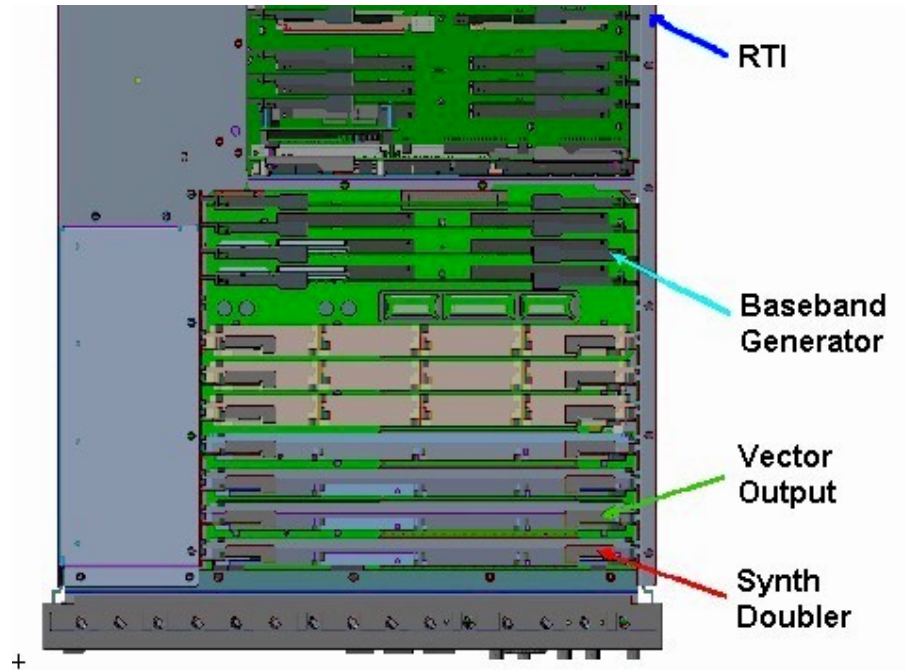
**STEP 17:** Re-install the bottom cover. Tighten the screws with a T-20 Torx driver to 21 in.lbs.

**STEP 18:** Install the new Synth Doubler module from the kit.

**STEP 19:** Install the new Vector Output module from the kit.

**STEP 20:** Install the new Baseband Generator modules from the kit.

**STEP 21:** Replace the RTI with the new one from the kit.



**STEP 22:** Re-install the top cover. Tighten the screws with a T-20 Torx driver to 21 in.lbs.

**STEP 23:** Re-install the external covers.

**STEP 24:** Place the option label on the rear panel.

**STEP 25:** Start the instrument. Run the following user Calibrations:

- 1) IQ Modulator 1 and 2 routines.
- 2) Spectrum Monitor

**STEP 26:** Perform RF Source Calibration found in the 8960 RF Path Maintenance program. [www.agilent.com/find/8960toolbox](http://www.agilent.com/find/8960toolbox)