

Typical Phase Noise Sensitivity with E5053A and 11970 Series Mixers

Offset Freq [Hz]	A band	U band		V band			W band	
	26.5 to 40 GHz	40 to 60 GHz		50 to 75 GHz			75 to 110 GHz	
	A Band 34GHz	U Band 42GHz	U Band 60 GHz	V Band 60GHz	V Band 66GHz	V Band 75GHz	W Band 77GHz	W Band 110GHz
1.E+00	-21	-19	-15	-16	-13	-13	-14	-10
1.E+01	-61	-59	-55	-55	-53	-52	-52	-49
1.E+02	-81	-79	-75	-75	-74	-73	-73	-70
1.E+03	-106	-104	-100	-100	-99	-98	-97	-94
1.E+04	-117	-115	-111	-111	-110	-109	-108	-105
1.E+05	-119	-117	-115	-115	-114	-113	-112	-109
3.E+05	-122	-120	-118	-118	-117	-116	-115	-112
1.E+06	-136	-133	-131	-131	-130	-129	-128	-125
1.E+07	-145	-144	-140	-140	-139	-138	-138	-135
1.E+08	-148	-147	-143	-143	-142	-141	-141	-138

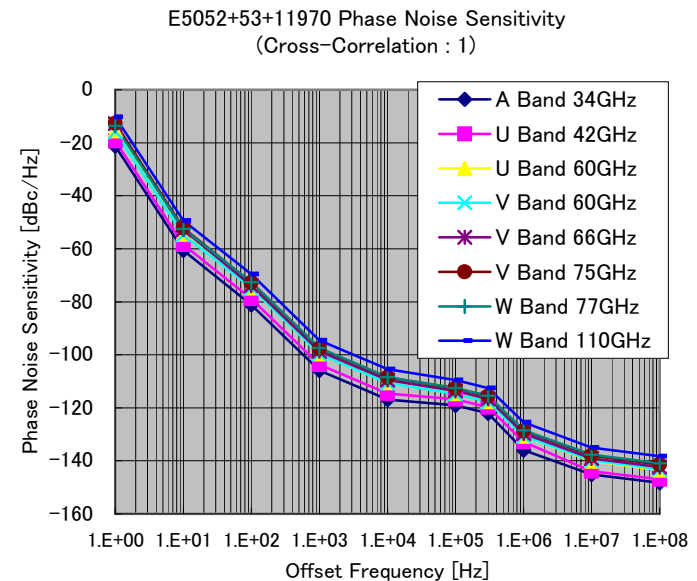
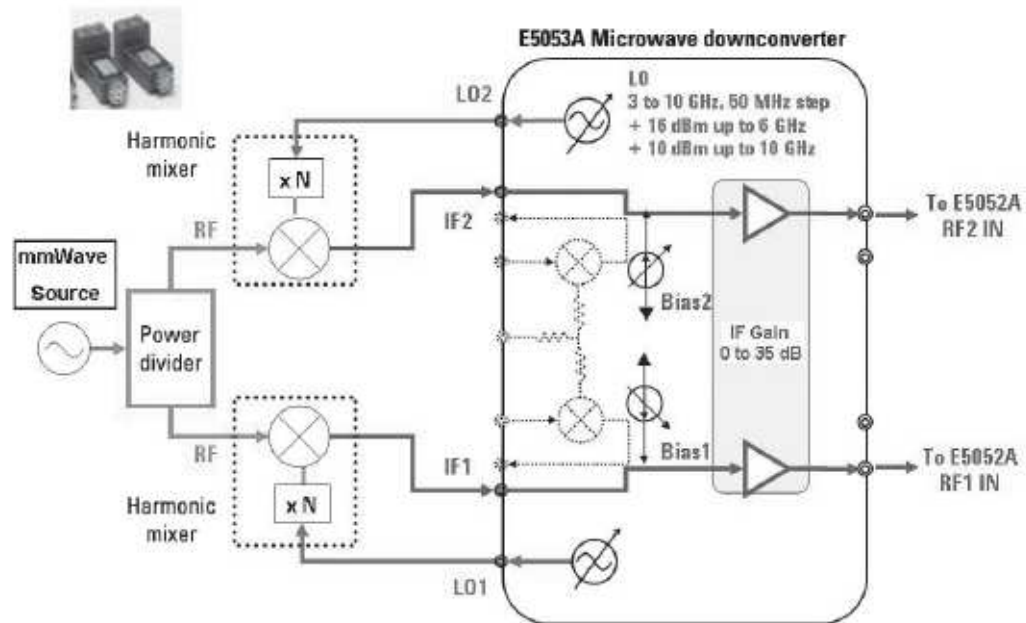


Figure 10-4. System phase noise sensitivity (E5053A + E5052B) (typical)

Note1 : Phase noise sensitivity with E5053A and 11970 series mixers depends on the noise level of E5053A local signal whether SSA is E5052A or E5052B.

Note2 : Phase noise sensitivity will be improved by adding correlation time.