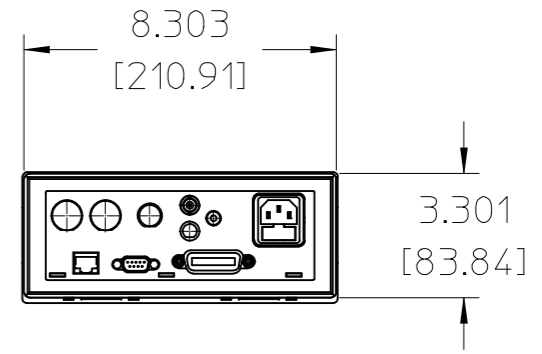
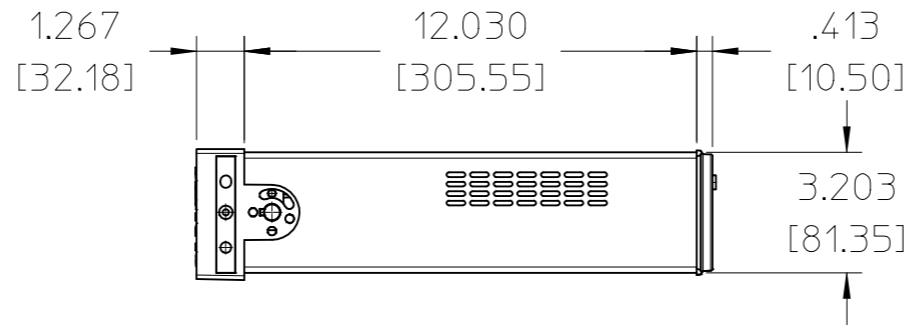
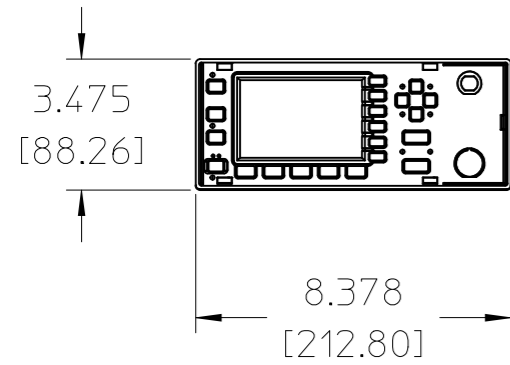
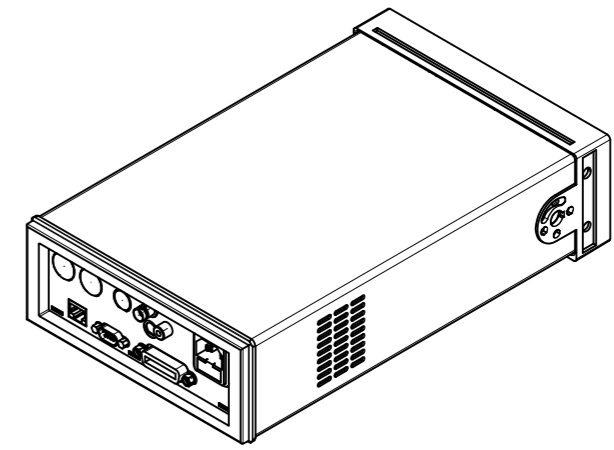
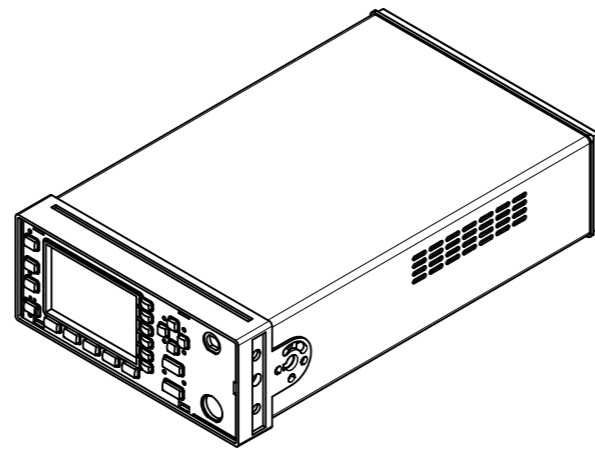
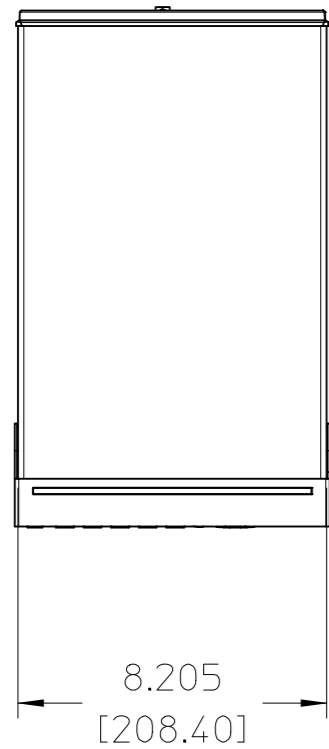


DO NOT SCALE THIS METRIC DRAWING	GD&T SYMBOLOGY PER ISO 1101 & ISO 5459	DRAWN BY	2014-11-18 DATE (YYYY-MM-DD)	TITLE	FRAME DATE: 2014-05-20	PART NUMBER	
		ENGINEER/CHECKER	2014-11-18 DATE				
UNLESS OTHERWISE SPECIFIED		<ul style="list-style-type: none"> ◦ DIMENSIONS ARE IN MILLIMETERS ◦ THIRD ANGLE PROJECTION ◦ ADHERENCE TO DWG A-5951-1561-1 (COMPANY STD. SECTION 608) AND A-5951-1745-1 (GSE) IS REQUIRED 		1 OF 1 SHEET	1:5 SCALE	A3 SIZE	E4417A DOCUMENT NUMBER

FILE NAME N4417A-NR-220317.ami	REVISION -	STORE DATE 2017-03-22	DOCUMENT NUMBER E4417A
-----------------------------------	---------------	--------------------------	----------------------------------



DO NOT SCALE THIS METRIC DRAWING	GD&T SYMBOLY PER ISO 1101 & ISO 5459	DRAWN BY	2014-11-18 DATE (YYYY-MM-DD)	WITHOUT RUBBER BUMPER & HANDLE	
		ENGINEER/CHECKER	2014-11-18 DATE		
UNLESS OTHERWISE SPECIFIED				TITLE	FRAME DATE: 2014-05-20
<ul style="list-style-type: none"> ° DIMENSIONS ARE IN MILLIMETERS ° THIRD ANGLE PROJECTION ° ADHERENCE TO DWG A-5951-1561-1 (COMPANY STD. SECTION 608) AND A-5951-1745-1 (GSE) IS REQUIRED 				1 OF 1 SHEET	0.2X SCALE
				A3 SIZE	PART NUMBER E4417A DOCUMENT NUMBER