



177.0H RACK MOUNT KIT WITHOUT FRONT HANDLES

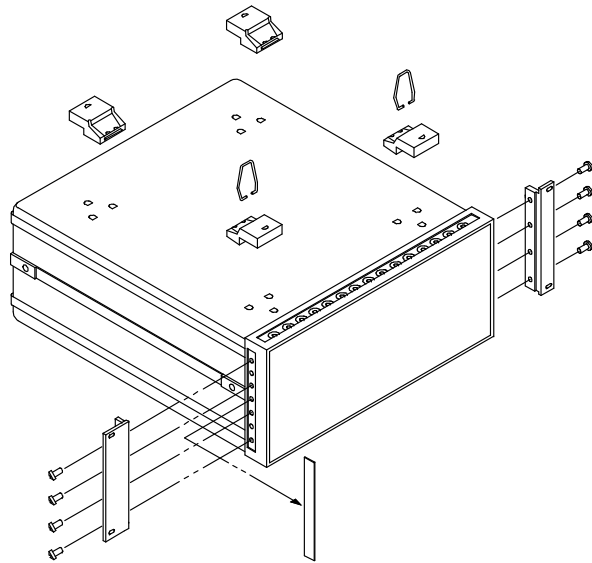
(PRODUCT HT.177.0mm/6.969in)

AGILENT PART NUMBER 5063-9215 (OPTION 908)

SYSTEM II PALLET 2000

CONTENTS

QTY.		PART NO.
2	...RACK MOUNT FLANGE	5022-1200
8	...M4 X 0.7 X 10 SCREW, PAN HEAD	0515-1114
4	...DRESS SCREW	0570-1577
4	...NUT-SHMET	0590-0804



CAUTION: THIS KIT CONTAINS ONLY METRIC HARDWARE. IF INCH HARDWARE IS NEEDED ORDER INCH HARDWARE KIT #5062-4078. INSTRUMENTS WITH METRIC CABINETS HAVE THE WORD "METRIC" CAST ON TOP OF THE FRONT FRAME (UNDER THE TRIM).

I N S T R U C T I O N S

1. REMOVE SIDE TRIM STRIPS.
2. ATTACH RACK MOUNT FLANGE WITH 4 SCREWS PER SIDE.
3. REMOVE FEET AND TILT STANDS BEFORE RACK MOUNTING.

MADE IN USA OF DOMESTIC AND
FOREIGN COMPONENTS 12-95
INSTRUCTION SHEET NO. 5182-1210

4

5063-9215

