

# 88.1H FRONT HANDLE KIT

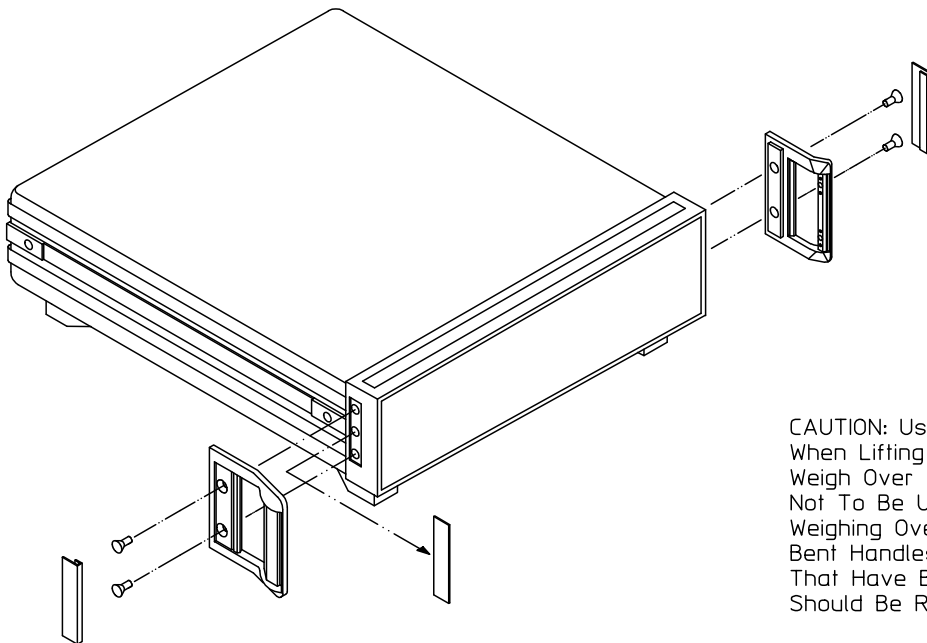
(PRODUCT HT.88.1mm/3.469in)

KEYSIGHT PART NUMBER 1CN006A

SYSTEM II PALLET 2000

## CONTENTS

QTY.		PART NO.
2	...FRONT HANDLE ASSEMBLY.....	5063-9201
2	...FRONT HANDLE TRIM.....	5041-9179
4	...M4 X 0.7 X 10 SCREW,FLAT HEAD,90°.....	0515-0896



CAUTION: Use Two (2) Handles When Lifting Units That Weigh Over 18.2kg (40lbs). Not To Be Used On Units Weighing Over 36.4kg (80lbs). Bent Handles Indicate Units That Have Been Dropped And Should Be Replaced.

CAUTION: THIS KIT CONTAINS ONLY METRIC HARDWARE. INSTRUMENTS WITH METRIC CABINETS HAVE THE WORD "METRIC" CAST ON TOP OF THE FRONT FRAME (UNDER THE TRIM).'

## I N S T R U C T I O N S

1. REMOVE SIDE TRIM STRIPS.
2. ATTACH FRONT HANDLE ASSEMBLY WITH 2 SCREWS PER SIDE.
3. PRESS FRONT HANDLE TRIM IN PLACE.

PACKAGED IN MALAYSIA WITH COMPONENTS FROM MALAYSIA AND OTHER COUNTRIES

15

# 1CN006A

