

# 88.1H RACK MOUNT KIT WITHOUT FRONT HANDLES

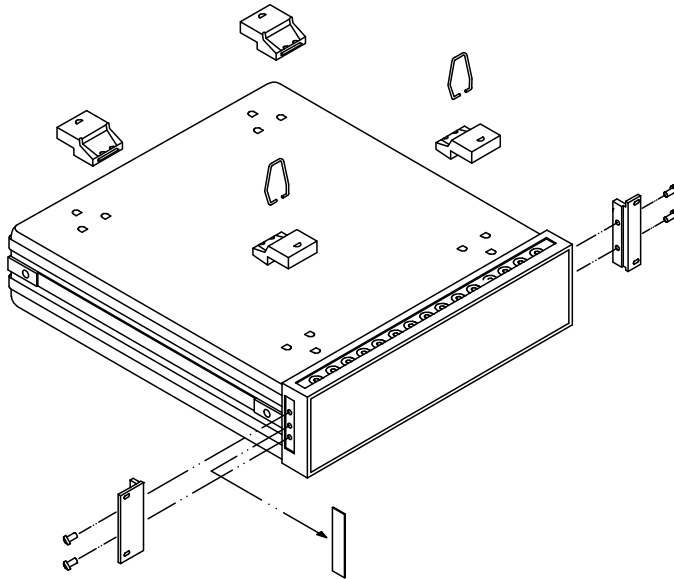
(PRODUCT HT.88.1mm/3.469in)

KEYSIGHT PART NUMBER 1CM010A

SYSTEM II PALLET 2000

## CONTENTS

QTY.		PART NO.
2	...RACK MOUNT FLANGE .....	5022-1198
4	...M4 X 0.7 X 10 SCREW,PAN HEAD..	0515-1114
4	...DRESS SCREW.....	0570-1577
4	...NUT-SHMET.....	0590-0804



CAUTION: THIS KIT CONTAINS ONLY METRIC HARDWARE. INSTRUMENTS WITH METRIC CABINETS HAVE THE WORD "METRIC" CAST ON TOP OF THE FRONT FRAME (UNDER THE TRIM).'

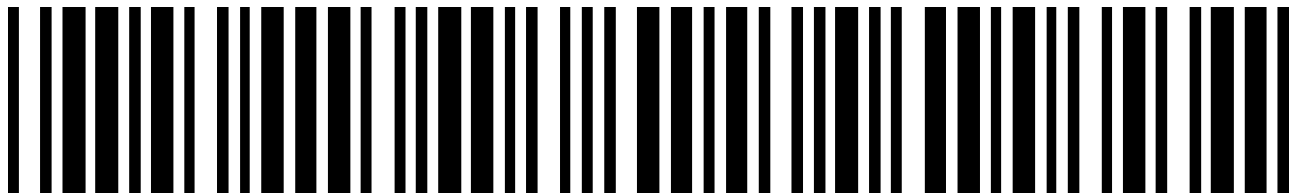
## I N S T R U C T I O N S

1. REMOVE SIDE TRIM STRIPS.
2. ATTACH RACK MOUNT FLANGE WITH 2 SCREWS PER SIDE.
3. REMOVE FEET AND TILT STANDS BEFORE RACK MOUNTING.

PACKAGED IN MALAYSIA WITH COMPONENTS  
FROM MALAYSIA AND OTHER COUNTRIES 12-95  
INSTRUCTION SHEET NO. 5959-5106

1

# 1CM010A



\*1CM010A\*