

U4206A Probe Cable

Quick Start and Accessory Guide

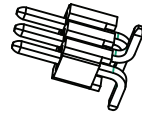
34 Channel, Soft Touch Pro, Single-Ended,
Quad x 160-Pin Direct Connect

Socket Adapter



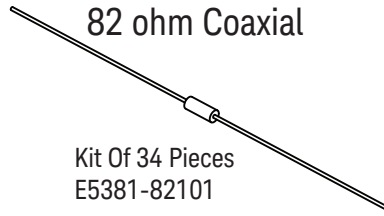
Kit Of 34 Pieces
E5381-82102

3-Pin Header



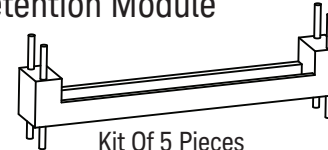
Kit Of 34 Pieces
E5381-82104

Tip Resistor
82 ohm Coaxial



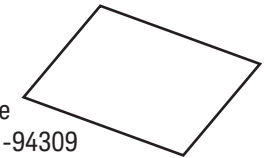
Kit Of 34 Pieces
E5381-82101

Soft Touch Pro
Retention Module



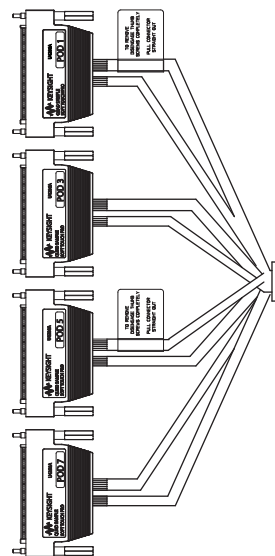
Kit Of 5 Pieces
E5405-68702

82 Ohm Resistor
Template



1 Piece
01131-94309

Logic Analyzer
Connection Pods

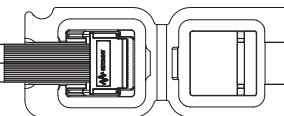


PROBE CABLE ASSEMBLY

Clock Qualifier Connections



Soft Touch Pro
Connector

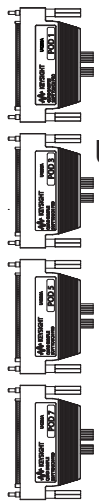


Pin Protector

Extra E5390-25201 Pin
Protectors are included

**DO NOT DISCARD THIS
PIN PROTECTOR**

To protect the Soft
Touch Pro pins from
being damaged, use the
Pin Protector when
probe is not connected.



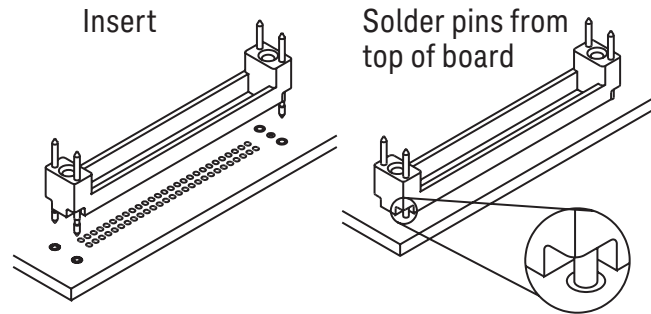
1 CONNECT PODS TO LOGIC ANALYZER

U4206A Connector Pod - To - LA Connector

- Pod 1 Pods 1/2
- Pod 3 Pods 3/4
- Pod 5 Pods 5/6
- Pod 7 Pods 7/8

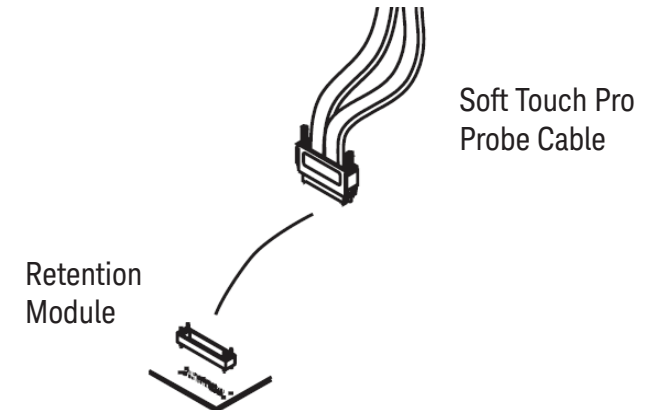
2 APPLY SOFT TOUCH PRO RETENTION MODULE TO SYSTEM UNDER TEST

APPLY SOFT TOUCH PRO RETENTION MODULE TO SYSTEM UNDER TEST



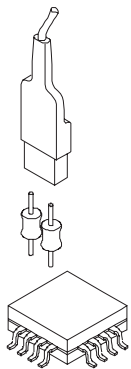
3 CONNECT PROBE CABLE TO SOFT TOUCH PRO RETENTION MODULE

CONNECT PROBE CABLE TO SOFT TOUCH PRO RETENTION MODULE



CLOCK QUALIFIER CONNECTIONS ARE MADE USING THE INCLUDED ACCESSORIES

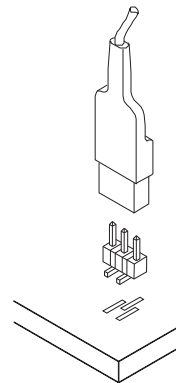
Coaxial Tip Resistor 82 Ohm



- Solder Attach To:
- Components
 - Traces
 - Pads
 - VIAs

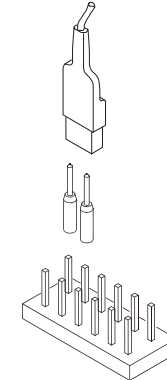
Total Lumped Input C 0.9 pF

3-Pin Header



Total Lumped Input C 1.0 pF

Socket Adapter



Total Lumped Input C 1.1 pF

Detailed information on the U4206A Probe Cable is available at <http://www.keysight.com/find/U4206A>. On this webpage, click the **Document Library** tab and download the user guide.

© Keysight Technologies 2015
U4206-92000, June 2015, Printed in USA

