

Keysight N7799C-1CM, N7799C-0CM Rack Mount Kits for 1 HU Instruments

Installation Note

Notices

© Keysight Technologies 2020

No part of this manual may be reproduced in any form or by any means (including electronic storage and retrieval or translation into a foreign language) without prior agreement and written consent from Keysight Technologies as governed by United States and international copyright laws.

Manual Part Number

N7799-91CM1

Edition

Edition 1.0, March 2020

Printed in Germany

Published by
Keysight Technologies Deutschland GmbH
Herrenberger Strasse 130,
71034 Böblingen, Germany

Warranty

THE MATERIAL CONTAINED IN THIS DOCUMENT IS PROVIDED "AS IS," AND IS SUBJECT TO BEING CHANGED, WITHOUT NOTICE, IN FUTURE EDITIONS. FURTHER, TO THE MAXIMUM EXTENT PERMITTED BY APPLICABLE LAW, KEYSIGHT DISCLAIMS ALL WARRANTIES, EITHER EXPRESS OR IMPLIED WITH REGARD TO THIS MANUAL AND ANY INFORMATION CONTAINED HEREIN, INCLUDING BUT NOT LIMITED TO THE IMPLIED WARRANTIES OF MERCHANTABILITY AND FITNESS FOR A PARTICULAR PURPOSE. KEYSIGHT SHALL NOT BE LIABLE FOR ERRORS OR FOR INCIDENTAL OR CONSEQUENTIAL DAMAGES IN CONNECTION WITH THE FURNISHING, USE, OR PERFORMANCE OF THIS DOCUMENT OR ANY INFORMATION CONTAINED HEREIN. SHOULD KEYSIGHT AND THE USER HAVE A SEPARATE WRITTEN AGREEMENT WITH WARRANTY TERMS COVERING THE MATERIAL IN THIS DOCUMENT THAT CONFLICT WITH THESE TERMS, THE WARRANTY TERMS IN THE SEPARATE AGREEMENT WILL CONTROL.

Technology Licenses

The hardware and/or software described in this document are furnished under a license and may be used or copied only in accordance with the terms of such license.

Restricted Rights Legend

If software is for use in the performance of a U.S. Government prime contract or subcontract, Software is delivered and licensed as "Commercial computer software" as defined in DFAR 252.227-7014 (June 1995), or as a "commercial item" as defined in FAR 2.101(a) or as "Restricted computer software" as defined in FAR 52.227-19 (June 1987) or any equivalent agency regulation or contract clause. Use, duplication or disclosure of Software is subject to Keysight Technologies' standard commercial license terms, and non-DOD Departments and Agencies of the U.S. Government will receive no greater than Restricted Rights as defined in FAR 52.227-19(c)(1-2) (June 1987). U.S. Government users will receive no greater than Limited Rights as defined in FAR 52.227-14 (June 1987) or DFAR 252.227-7015 (b)(2) (November 1995), as applicable in any technical data.

Manual Notices

This manual provides these notices:

CAUTION

A **CAUTION** notice denotes a hazard. It calls attention to an operating procedure, practice, or the like that, if not correctly performed or adhered to, could result in damage to the product or loss of important data. Do not proceed beyond a **CAUTION** notice until the indicated conditions are fully understood and met.

WARNING

A **WARNING** notice denotes a hazard. It calls attention to an operating procedure, practice, or the like that, if not correctly performed or adhered to, could result in personal injury or death. Do not proceed beyond a **WARNING** notice until the indicated conditions are fully understood and met.

Unpacking Shipment

Unpack your shipment.

- Inspect the shipping containers for damage.
- Verify that you received the options and accessories that you ordered.
- We recommend that you keep the shipping containers and cushioning material until you have inspected the contents of the shipment for completeness and have checked the equipment.

Depending on whether one or two N77xxC instruments are to be mounted, different mounting kits are required:

N7799C-1CM

- Rack Mount Kit 1 HU for 2 instruments.
- Includes low-profile rails. Requires Filler Kit N7799C-0CM for single device.

N7799C-0CM

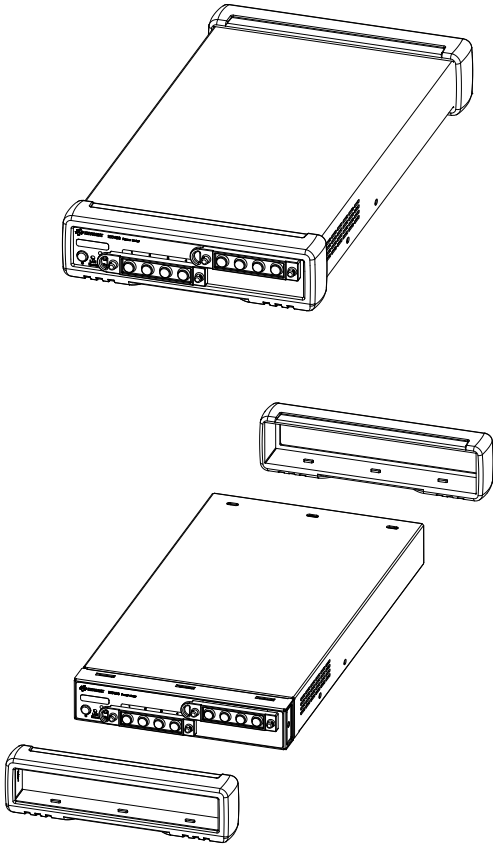
- Filler Kit for N7799C-1CM.
- Required for single instrument. Includes front panel and base plate.

The shipment should contain:

	Part No.	Description	Quantity in N7799C-1CM	Quantity in N7799C-0CM
A	0050-2166	Lock Link	2	
B	N7770-01202	Bracket Rear	1	
C	N7770-01201	Bracket Front	2	
D	0515-0380	Screw, Machine, Panhead, M4, T20	7	2
E	N7770-01203	Bracket Side	2	
F	0515-2043	Screw, Machine, Flathead 90-DEG, M4, T20	3	2
G	2680-0278	Screw, Machine, Panhead, 10-32, T25	5	
H	N7770-03701	Rail Rack	2	
I	0590-0804	Nut, Machine, 10-32	9	
J	3030-1768	Dress Screw, Machine, Panhead, 10-32, Phillips	5	
K	N7770-21702	Stepped Bushing		1
L	N7770-01205	Bracket Base		1
M	N7770-01206	Bracket Front		1

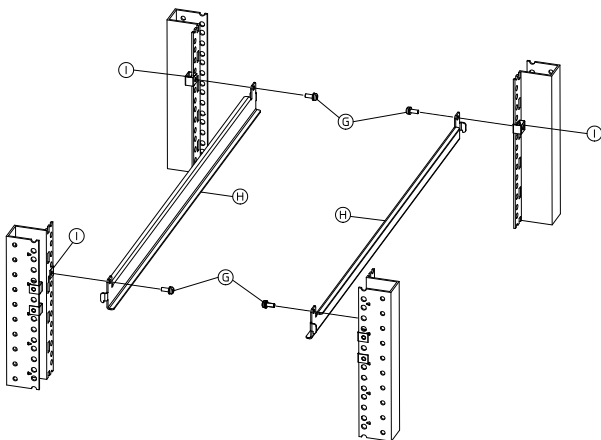
Preparing Instruments and Rack

- 1 Remove front and rear bumpers from the instruments.



- 2 Mount the low-profile rails that ensure the highest density for populating the rack with N77xxC 1 HU instruments:

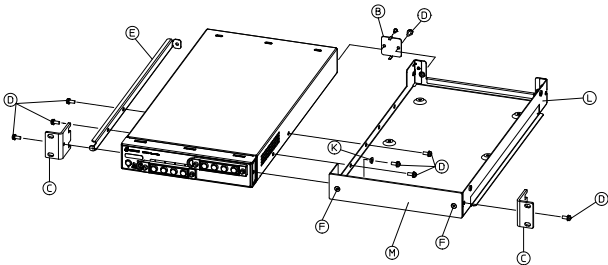
Using a T25 screwdriver, mount rails H into the rack, using four screws G and four nuts I.



Mounting a Single 1 HU Instrument in the Rack

- 1 To mount a single instrument on the left side of a rack:

Using a T20 screwdriver, mount C and E on the left side of the instrument and K and L on the right side of the instrument, using six screws D.



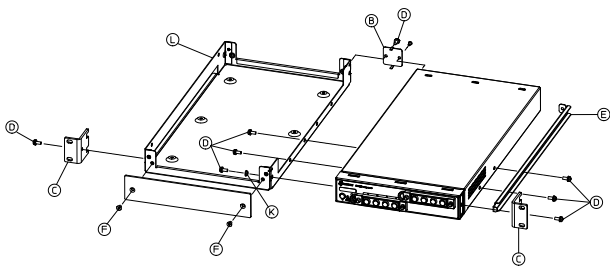
Then, using a T20 screwdriver, mount C on the right side of L, using one screw D.

Using a T10 screwdriver, mount B on the rear side of the instrument, using one screw from the instrument cover.

Using a T20 screwdriver, fix B on the rear side of L, using one screw D.

- 2 To mount a single instrument on the right side of a rack:

Using a T20 screwdriver, mount C and E on the right side of the instrument and K and L on the left side of the instrument, using six screws D.



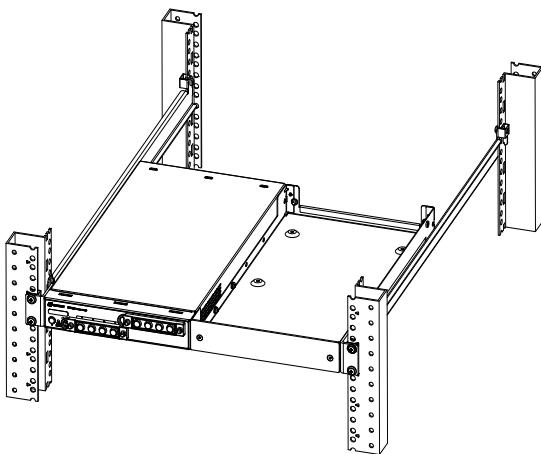
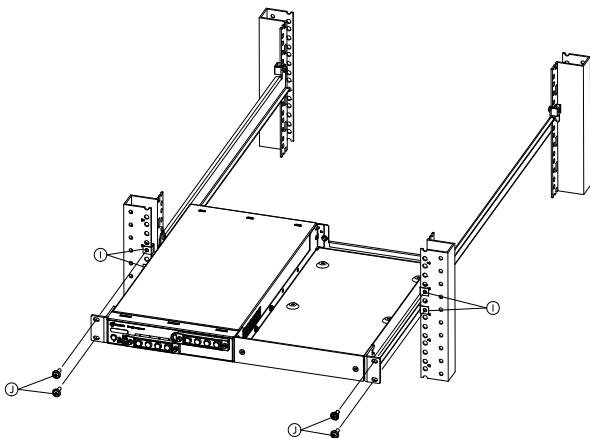
Then, using a T20 screwdriver, mount C on the left side of L, using one screw D.

Using a T10 screwdriver, mount B on the rear side of the instrument, using a screw from the instrument cover.

Using a T20 screwdriver, fix B on the rear side of L, using one screw D.

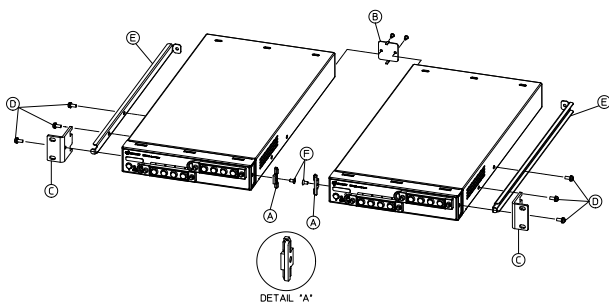
Note that front panel M, mounted with two screws F on L, is removable for customization.

- 3 Slide the instrument on the rails into the rack to the final position, fasten C to the rack using four screws J and four nuts I, using a Phillips screwdriver.



Mounting Two 1 HU Instruments in the Rack

- 1 Using T20 screwdriver, mount C and E on the left side of the first device and on the right side of the second device, using six screws D.

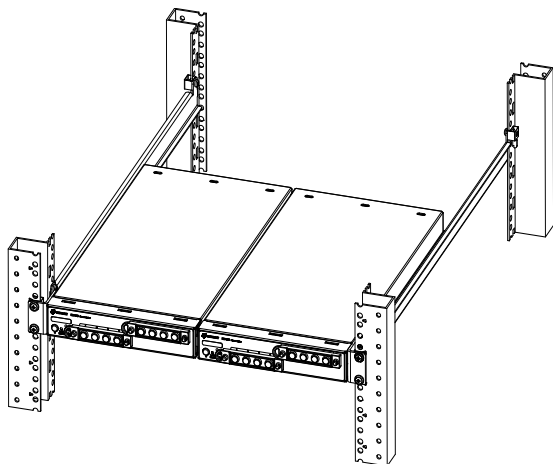
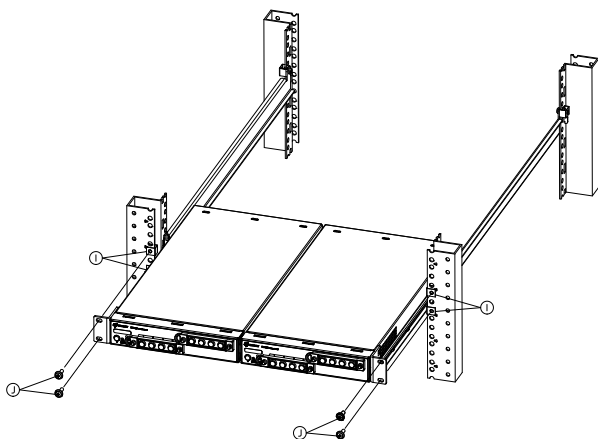


Using T20 screwdriver, mount A on the right side of the first device and on the left side of the second device, using two screws F.

Connect both devices as shown in detail "A".

Using T10 screwdriver, fix the position on the rear side of the devices with E, using screws from the device cover.

- 2 Slide the instrument(s) on the rails into the rack to the final position, fasten C to the rack using four screws J and four nuts I, using a Phillips screwdriver.



This information is subject to
change without notice.
© Keysight Technologies 2020
Edition 1.0, March 2020
Printed in Germany



N7799-91CM1



www.keysight.com