

Keysight D9040SASC SAS-4 Compliance Test Application

Methods of
Implementation

Notices

© Keysight Technologies 2017-2019

No part of this manual may be reproduced in any form or by any means (including electronic storage and retrieval or translation into a foreign language) without prior agreement and written consent from Keysight Technologies as governed by United States and international copyright laws.

Software Version

Version 4.10.0000

Edition

September 2019

Available in electronic format only

Keysight Technologies
1900 Garden of the Gods Road
Colorado Springs, CO 80907 USA

Warranty

THE MATERIAL CONTAINED IN THIS DOCUMENT IS PROVIDED "AS IS," AND IS SUBJECT TO BEING CHANGED, WITHOUT NOTICE, IN FUTURE EDITIONS. FURTHER, TO THE MAXIMUM EXTENT PERMITTED BY APPLICABLE LAW, KEYSIGHT DISCLAIMS ALL WARRANTIES, EITHER EXPRESS OR IMPLIED WITH REGARD TO THIS MANUAL AND ANY INFORMATION CONTAINED HEREIN, INCLUDING BUT NOT LIMITED TO THE IMPLIED WARRANTIES OF MERCHANTABILITY AND FITNESS FOR A PARTICULAR PURPOSE. KEYSIGHT SHALL NOT BE LIABLE FOR ERRORS OR FOR INCIDENTAL OR CONSEQUENTIAL DAMAGES IN CONNECTION WITH THE FURNISHING, USE, OR PERFORMANCE OF THIS DOCUMENT OR ANY INFORMATION CONTAINED HEREIN. SHOULD KEYSIGHT AND THE USER HAVE A SEPARATE WRITTEN AGREEMENT WITH WARRANTY TERMS COVERING THE MATERIAL IN THIS DOCUMENT THAT CONFLICT WITH THESE

TERMS, THE WARRANTY TERMS IN THE SEPARATE AGREEMENT WILL CONTROL.

Technology Licenses

The hardware and/or software described in this document are furnished under a license and may be used or copied only in accordance with the terms of such license.

U.S. Government Rights

The Software is "commercial computer software," as defined by Federal Acquisition Regulation ("FAR") 2.101. Pursuant to FAR 12.212 and 27.405-3 and Department of Defense FAR Supplement ("DFARS") 227.7202, the U.S. government acquires commercial computer software under the same terms by which the software is customarily provided to the public. Accordingly, Keysight provides the Software to U.S. government customers under its standard commercial license, which is embodied in its End User License Agreement (EULA), a copy of which can be found at <http://www.keysight.com/find/sweula>. The license set forth in the EULA represents the exclusive authority by which the U.S. government may use, modify, distribute, or disclose the Software. The EULA and the license set forth therein, does not require or permit, among other things, that Keysight: (1) Furnish technical information related to commercial computer software or commercial computer software documentation that is not customarily provided to the public; or (2) Relinquish to, or otherwise provide, the government rights in excess of these rights customarily provided to the public to use, modify, reproduce, release, perform, display, or disclose commercial computer software or commercial computer software documentation. No additional government requirements beyond those set forth in the EULA shall apply, except to the extent that those terms, rights, or licenses are explicitly required from all providers of commercial computer software pursuant to the FAR and the DFARS and are set forth specifically in writing elsewhere in the EULA. Keysight shall be under no obligation to update, revise or otherwise modify the Software. With respect to any technical data as defined by FAR 2.101, pursuant to FAR 12.211 and 27.404.2 and DFARS 227.7102, the U.S. government acquires no

greater than Limited Rights as defined in FAR 27.401 or DFAR 227.7103-5 (c), as applicable in any technical data.

Safety Notices

CAUTION

A CAUTION notice denotes a hazard. It calls attention to an operating procedure, practice, or the like that, if not correctly performed or adhered to, could result in damage to the product or loss of important data. Do not proceed beyond a CAUTION notice until the indicated conditions are fully understood and met.

WARNING

A WARNING notice denotes a hazard. It calls attention to an operating procedure, practice, or the like that, if not correctly performed or adhered to, could result in personal injury or death. Do not proceed beyond a WARNING notice until the indicated conditions are fully understood and met.

SAS-4 Compliance Test Application – At A Glance

The Keysight D9040SASC SAS-4 Compliance Test Application enables the testing of SAS-4 devices with the Keysight Infiniium oscilloscope, based on the SAS-4 Standard that defines the physical layer of the SAS interconnect. Serial Attached SCSI (SAS) protocol relates to data storage interface for computer storage devices, such as hard disks and tapes, used in high-performance servers. SAS-4 operates at 22.5 Gb/s.

The SAS-4 Compliance Test Application:

- Lets you select individual or multiple tests to run.
- Lets you identify the device being tested and its configuration.
- Shows you how to make oscilloscope connections to the device under test.
- Automatically checks for proper oscilloscope configuration.
- Automatically sets up the oscilloscope for each test.
- Provides detailed information for each test that has been run, and lets you specify the thresholds at which marginal or critical warnings appear.
- Creates a printable HTML report of the tests that have been run.

NOTE

The current SAS-4 compliance test application is based on the Serial Attached SCSI-4 (SAS-4) Specification Revision 09.

NOTE

The group of tests specified in this Methods of Implementation document pertains to the SAS-4 specifications. The specification defines the electrical requirements of the signals for 1.5, 3.0, 6.0, 12.0, and 22.5 Gbps bit rates at IT and CT test points. This Method of Implementation document, however, describes the tests for the 22.5 Gbps bit rate only.

NOTE

The tests performed by the SAS-4 Compliance Test Application are intended to provide a quick check of the electrical health of the DUT. This testing is not a replacement for an exhaustive test validation plan.

Required Equipment and Software

In order to run the SAS-4 Compliance Test Application, you need the following equipment and software:

- Infiniium Z-Series, V-Series, Q-Series, or UXR-Series (UXR0334A) oscilloscope. Keysight recommends using 33 GHz and higher bandwidth oscilloscope.
- The minimum version of Infiniium oscilloscope software (see the D9040SASC SAS-4 Compliance Test Application release notes).
- D9040SASC SAS-4 Compliance Test Application software.
- Keyboard, qty = 1, (provided with the Keysight Infiniium oscilloscope).
- Mouse, qty = 1, (provided with the Keysight Infiniium oscilloscope).
- Keysight also recommends using a second monitor to view the automated test application.

For the list of required licenses to run this application, refer to the Data Sheet.

In This Book

This manual describes the tests that are performed by the SAS-4 Compliance Test Application in more detail.

- [Chapter 1](#), “Installing the SAS-4 Compliance Test Application” describes how to install and license the automated test application software (if it was purchased separately).
- [Chapter 2](#), “Preparing to Take Measurements” describes how to start the SAS-4 Compliance Test Application and gives a brief overview of how it is used.
- [Chapter 3](#), “SAS Test Application Overview” provides an overview of the SAS-4 Compliance Test Application.
- [Chapter 4](#), “TX SAS-SAS Down Spreading Spread Spectrum Clocking Requirements Tests” describes the SAS Down Spreading Spread Spectrum Clocking Requirements tests.
- [Chapter 5](#), “TX SAS-SAS Center Spreading Spread Spectrum Clocking Requirements Tests” describes the SAS Center Spreading Spread Spectrum Clocking Requirements tests.
- [Chapter 6](#), “NRZ Data Signaling Requirements Tests” describes the NRZ Data Signaling Requirements tests.
- [Chapter 7](#), “Coefficient Requests and Circuit Response Requirements Tests” describes the Coefficient Requests and Circuit Response Requirements tests.
- [Chapter 8](#), “OOB Signaling Tests” describes the Out Of Band Signaling tests.
- [Chapter 9](#), “Calibrating the Infiniium Oscilloscope” describes how to calibrate the oscilloscope in preparation for running the SAS-4 automated tests.

See Also

- The SAS-4 Compliance Test Application’s Online Help, which describes:
 - Starting the SAS-4 Compliance Test Application.
 - Creating or opening a test project.
 - Acquisition Setup.
 - Setting up the precision probe/cable.
 - Setting up the SAS-4 test environment.
 - Selecting tests.
 - Configuring selected tests.
 - Defining compliance limits.
 - Connecting the oscilloscope to the DUT.
 - Running tests.
 - Automating the application.
 - Viewing test results.
 - Viewing/exporting/printing the HTML test report.
 - Understanding the Report.
 - Exporting measurement results to web repository.
 - Saving test projects.
 - Installing/removing add-ins.
 - Controlling the application via a remote PC.
 - Using a second monitor.

Contents

SAS-4 Compliance Test Application – At A Glance 4

In This Book 5

1 Installing the SAS-4 Compliance Test Application

Installing the Software 14

Installing the License Key 15

Using Keysight License Manager 5 15

Using Keysight License Manager 6 16

2 Preparing to Take Measurements

Calibrating the Oscilloscope 20

Starting the SAS-4 Compliance Test Application 21

Online Help Topics 24

3 SAS Test Application Overview

Overview 26

Making Hardware Connections for SAS-4 Compliance Testing 27

SAS Test Application Test Groups 40

Test Availability in the SAS-4 Compliance Test Application 41

4 TX SAS-SAS Down Spreading Spread Spectrum Clocking Requirements Tests

Connection for SAS-SAS Down Spreading Spread Spectrum Clocking Requirements Tests 44

Test Procedure 44

TX SSC Modulation Frequency 45

Test Overview 45

Test Availability 45

References 45

Test Procedure 45

Expected/Observable Results 45

TX SSC Modulation Deviation	46
Test Overview	46
Test Availability	46
References	46
Test Procedure	46
Expected/Observable Results	47
TX SSC DFDT (Informative)	48
Test Overview	48
Test Availability	48
References	48
Test Procedure	48
Expected/Observable Results	48

5 TX SAS-SAS Center Spreading Spread Spectrum Clocking Requirements Tests

Connection for SAS-SAS Center Spreading Spread Spectrum Clocking Requirements Tests	50
Test Procedure	50
TX SSC Modulation Frequency	51
Test Overview	51
Test Availability	51
References	51
Test Procedure	51
Expected/Observable Results	51
TX SSC Modulation Deviation	52
Test Overview	52
Test Availability	52
References	52
Test Procedure	52
Expected/Observable Results	53
TX SSC DFDT (Informative)	54
Test Overview	54
Test Availability	54
References	54
Test Procedure	54
Expected/Observable Results	54

6 NRZ Data Signaling Requirements Tests

Connection for NRZ Data Signaling Requirements Tests	56
Test Procedure	56

TX Physical Link Rate Long Term Stability (Mean)	57
Test Overview	57
Test Availability	57
References	57
Test Procedure	57
Expected/Observable Results	57
TX Common Mode RMS Voltage	58
Test Overview	58
Test Availability	58
References	58
Test Procedure	58
Expected/Observable Results	58
TX Common Mode Spectrum	59
Test Overview	59
Test Availability	59
References	59
Test Procedure	59
Expected/Observable Results	59
TX Common Mode Voltage	60
Test Overview	60
Test Availability	60
References	60
Test Procedure	60
Expected/Observable Results	60
TX Vpp, IT (TX Peak-to-Peak Voltage, IT)	61
Test Overview	61
Test Availability	61
References	61
Test Procedure	61
Expected/Observable Results	61
TX Total Jitter	62
Test Overview	62
Test Availability	62
References	62
Test Procedure	62
Expected/Observable Results	62

TX Uncorrelated Unbounded Gaussian Jitter 63

- Test Overview 63
- Test Availability 63
- References 63
- Test Procedure 63
- Expected/Observable Results 63

TX Uncorrelated Bounded High Probability Jitter 64

- Test Overview 64
- Test Availability 64
- References 64
- Test Procedure 64
- Expected/Observable Results 64

TX Duty Cycle Distortion 65

- Test Overview 65
- Test Availability 65
- References 65
- Test Procedure 65
- Expected/Observable Results 65

7 Coefficient Requests and Circuit Response Requirements Tests

Connection for Coefficient Requests and Circuit Response Requirements Tests 68

- Test Procedure 68

TX Coefficient Requests and Circuit Response 69

- Test Overview 69
- Test Availability 69
- References 69
- Test Procedure 69
- Expected/Observable Results 69

TX Vpp, ET (TX Peak-to-Peak Voltage, ET) 70

- Test Overview 70
- Test Availability 70
- References 70
- Test Procedure 70
- Expected/Observable Results 70

TX No Equalization Coefficient Preset 71

- Test Overview 71
- Test Availability 71
- References 71
- Test Procedure 71
- Expected/Observable Results 71

TX Reference 1 Coefficient Preset	72
Test Overview	72
Test Availability	72
References	72
Test Procedure	72
Expected/Observable Results	72
TX Reference 2 Coefficient Preset	73
Test Overview	73
Test Availability	73
References	73
Test Procedure	73
Expected/Observable Results	73
8 OOB Signaling Tests	
 Connection for OOB Signaling Tests	76
Test Procedure	76
 TX Maximum Noise During OOB Idle	78
Test Overview	78
Test Availability	78
References	78
Test Procedure	78
Expected/Observable Results	78
 TX OOB Burst Amplitude Vpp	79
Test Overview	79
Test Availability	79
References	79
Test Procedure	79
Expected/Observable Results	79
 TX OOB Burst Amplitude Minimum (Zero-Length Test Load)	80
Test Overview	80
Test Availability	80
References	80
Test Procedure	80
Expected/Observable Results	80
 TX OOB Burst Amplitude Minimum (TCTF Test Load)	81
Test Overview	81
Test Availability	81
References	81
Test Procedure	81
Expected/Observable Results	81

TX OOB Offset Delta	82
Test Overview	82
Test Availability	82
References	82
Test Procedure	82
Expected/Observable Results	82
TX OOB Common Mode Delta	83
Test Overview	83
Test Availability	83
References	83
Test Procedure	83
Expected/Observable Results	83
RECEIVE COMINIT Idle Time	84
Test Overview	84
Test Availability	84
References	84
Test Procedure	84
Expected/Observable Results	84
RECEIVE COMSAS Idle Time	85
Test Overview	85
Test Availability	85
References	85
Test Procedure	85
Expected/Observable Results	85
RECEIVE COMWAKE Idle Time	86
Test Overview	86
Test Availability	86
References	86
Test Procedure	86
Expected/Observable Results	86

9 Calibrating the Infiniium Oscilloscope

Required Equipment for Oscilloscope Calibration	88
To Run the Self Calibration	89
Internal or Self Calibration	89
Channel-to-Channel De-skew	94
INF_SMA_Deskew.set Setup File Details	98

1 Installing the SAS-4 Compliance Test Application

Installing the Software / 14
Installing the License Key / 15

If you purchased the D9040SASC SAS-4 Compliance Test Application separately, you must install the software and license key.

Installing the Software

- 1 Make sure you have the minimum version of Infiniium Oscilloscope software (see the D9040SASC test application release notes) by choosing **Help>About Infiniium...** from the main menu.
- 2 To obtain the SAS-4 Compliance Test Application, go to Keysight Web site:
<http://www.keysight.com/en/pc-1152185/oscilloscope-software>.
- 3 Navigate to the SAS-4 Compliance Test Application software download.
- 4 Follow the instructions to download and install the application software.

Installing the License Key

To procure a license, you require the Host ID information that is displayed in the Keysight License Manager application installed on the same machine where you wish to install the license.

Using Keysight License Manager 5

To view and copy the Host ID from Keysight License Manager 5:

- 1 Launch Keysight License Manager on your machine, where you wish to run the Test Application and its features.
- 2 Copy the Host ID that appears on the top pane of the application. Note that x indicates numeric values.

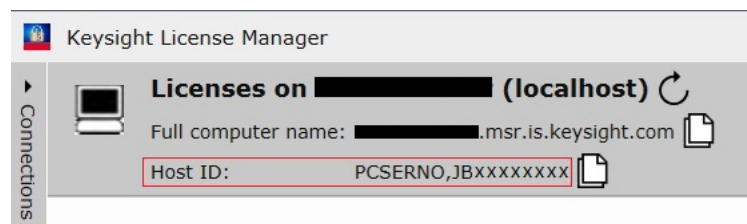


Figure 1 Viewing the Host ID information in Keysight License Manager 5

To install one of the procured licenses using Keysight License Manager 5 application,

- 1 Save the license files on the machine, where you wish to run the Test Application and its features.
- 2 Launch Keysight License Manager.
- 3 From the configuration menu, use one of the options to install each license file.

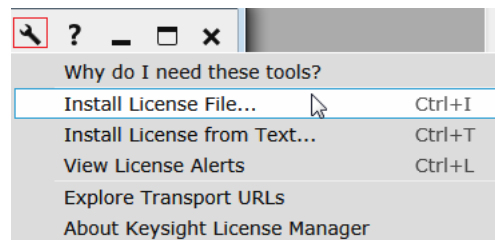


Figure 2 Configuration menu options to install licenses on Keysight License Manager 5

For more information regarding installation of procured licenses on Keysight License Manager 5, refer to [Keysight License Manager 5 Supporting Documentation](#).

Using Keysight License Manager 6

To view and copy the Host ID from Keysight License Manager 6:

- 1 Launch Keysight License Manager 6 on your machine, where you wish to run the Test Application and its features.
- 2 Copy the Host ID, which is the first set of alphanumeric value (as highlighted in Figure 3) that appears in the Environment tab of the application. Note that x indicates numeric values.

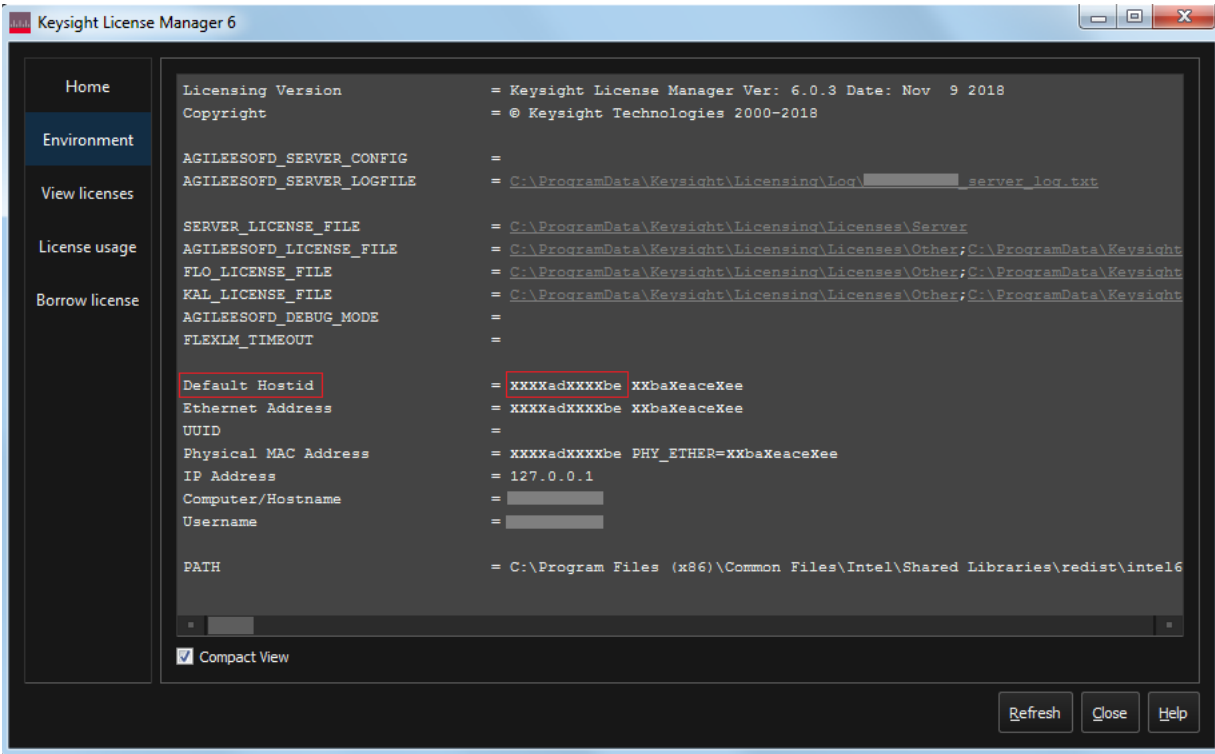


Figure 3 Viewing the Host ID information in Keysight License Manager 6

To install one of the procured licenses using Keysight License Manager 6 application,

- 1 Save the license files on the machine, where you wish to run the Test Application and its features.
- 2 Launch Keysight License Manager 6.
- 3 From the Home tab, use one of the options to install each license file.

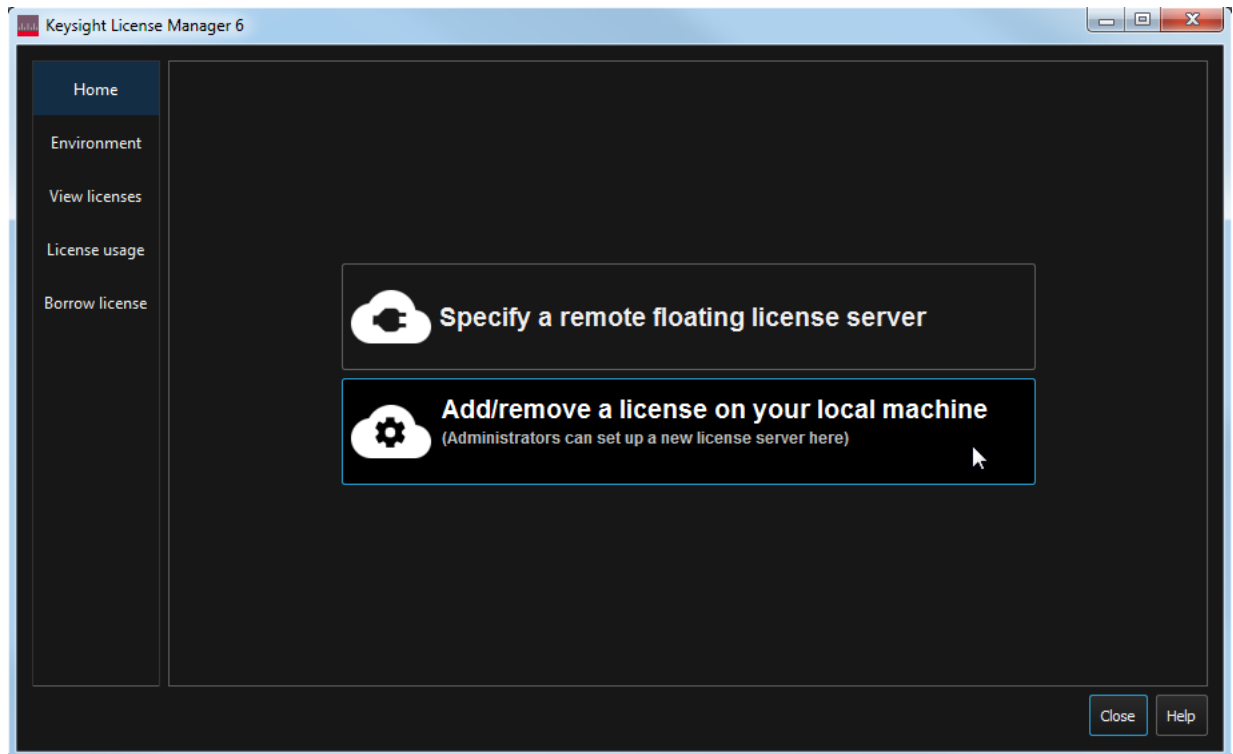


Figure 4 Home menu options to install licenses on Keysight License Manager 6

For more information regarding installation of procured licenses on Keysight License Manager 6, refer to [Keysight License Manager 6 Supporting Documentation](#).

2 Preparing to Take Measurements

Calibrating the Oscilloscope / 20

Starting the SAS-4 Compliance Test Application / 21

Before running the SAS-4 automated tests, you must calibrate the oscilloscope. After the oscilloscope has been calibrated, you are ready to start the SAS-4 Compliance Test Application and perform the measurements.

Calibrating the Oscilloscope

- If you have not already calibrated the oscilloscope and probe, see [Chapter 9](#), “Calibrating the Infiniium Oscilloscope.”

NOTE

If the ambient temperature changes more than 5 degrees Celsius from the calibration temperature, internal calibration should be performed again. The delta between the calibration temperature and the present operating temperature is shown in the **Utilities>Calibration** menu.

NOTE

If you switch cables between channels or other oscilloscopes, it is necessary to perform cable and probe calibration again. Keysight recommends that, once calibration is performed, you label the cables with the channel on which they were calibrated.

Starting the SAS-4 Compliance Test Application

- 1 From the Infiniium Oscilloscope's main menu, choose **Analyze>Automated Test Apps>D9040SASC SAS-4 Test App**.

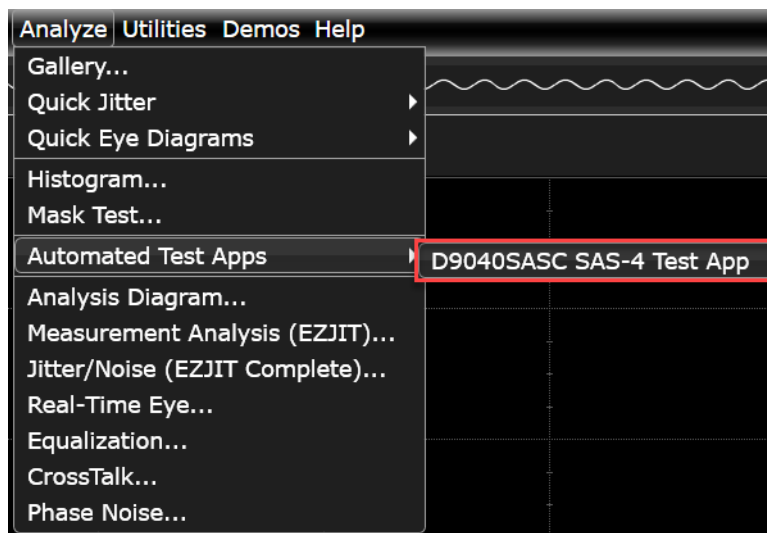


Figure 5 Starting the SAS-4 Compliance Test Application

NOTE

If the D9040SASC SAS-4 Test App does not appear in the **Automated Test Apps** menu, the SAS-4 Compliance Test Application has not been installed (see [Chapter 1](#), “Installing the SAS-4 Compliance Test Application”).

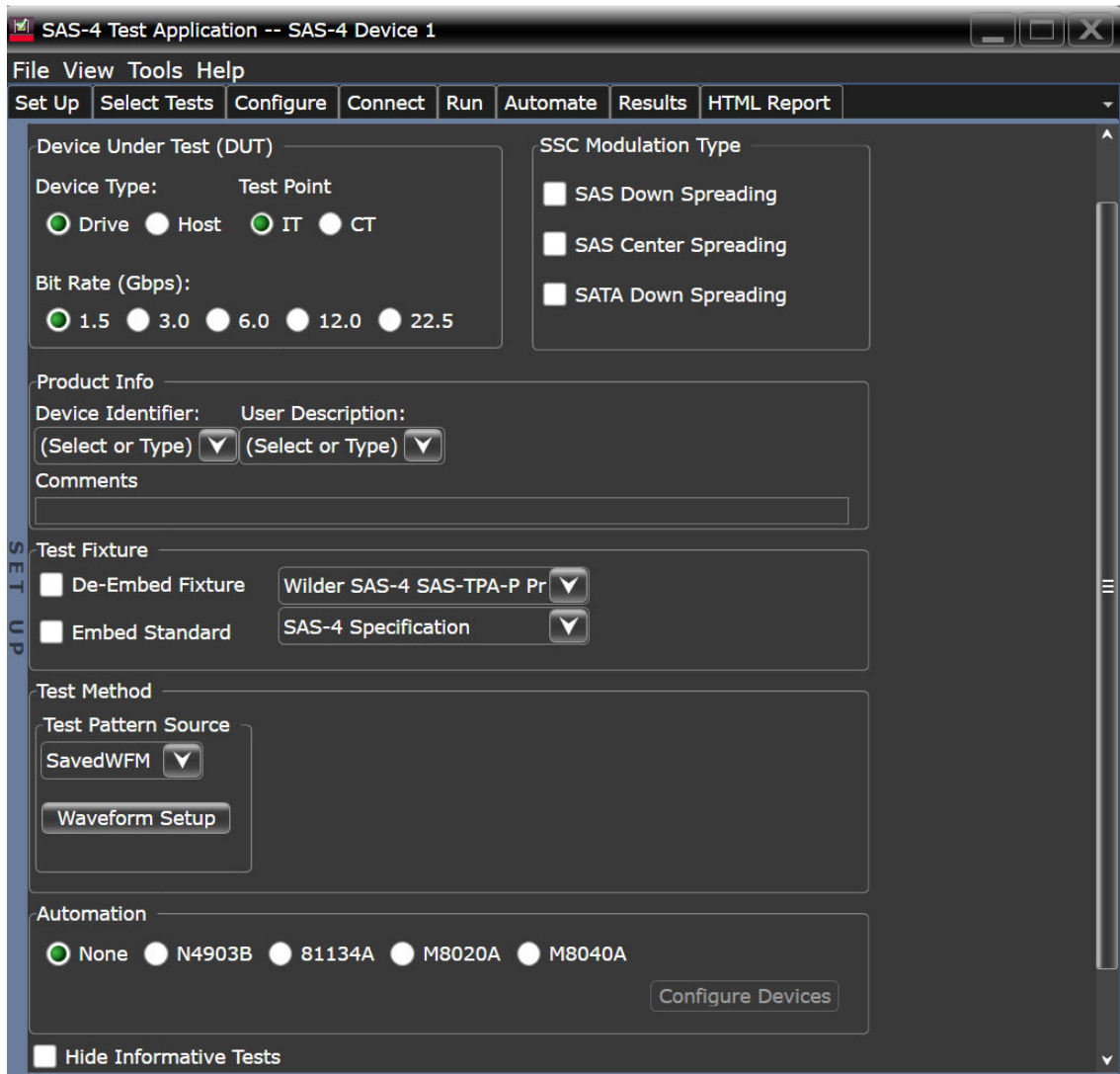


Figure 6 The SAS-4 Compliance Test Application's default window

Figure 5 shows the procedure to launch the SAS-4 Compliance Test Application and Figure 6 shows the SAS-4 Compliance Test Application default window. The tabs in the main pane show the steps you take in running the automated tests:

Tab	Description
Set Up	Lets you identify and set up the test environment, including information about the device under test.
Select Tests	Lets you select the tests you want to run. The tests are organized hierarchically so you can select all tests in a group. After tests are run, status indicators show which tests have passed, failed, or not been run, and there are indicators for the test groups.
Configure	Lets you configure test parameters. This information appears in the HTML report.
Connect	Shows you how to connect the oscilloscope to the device under test for the tests to be run.

Tab	Description
Run Tests	Starts the automated tests. If the connections to the device under test need to be changed while multiple tests are running, the tests pause, show you how to change the connection, and wait for you to confirm that the connections have been changed before continuing.
Automation	Lets you construct scripts of commands that drive execution of the application.
Results	Contains more detailed information about the tests that have been run. You can change the thresholds at which marginal or critical warnings appear.
HTML Report	Shows a compliance test report that can be printed.

NOTE

The configuration options shown under the **Set Up** tab of the SAS-4 Compliance Test Application main window dictate the availability of various tests. You may have to select more than one configuration option to make some tests available, else they appear unavailable/disabled. To know more about the configurable options under the **Set Up** tab that must be selected for each test, refer to the section, “Test Availability” under the method of implementation for each test in this document.

Online Help Topics

For information on using the SAS-4 Compliance Test Application, see its Online Help (which you can access by choosing **Help>Contents...** from the application's main menu).

The SAS-4 Compliance Test Application's Online Help describes:

- Starting the SAS-4 Compliance Test Application.
- Creating or opening a test project.
- Acquisition Setup.
- Setting up the precision probe/cable.
- Setting up the SAS-4 test environment.
- Selecting tests.
- Configuring selected tests.
- Defining compliance limits.
- Connecting the oscilloscope to the DUT.
- Running tests.
- Automating the application.
- Viewing test results.
- Viewing/exporting/printing the HTML test report.
- Understanding the Report.
- Exporting measurement results to web repository.
- Saving test projects.
- Installing/removing add-ins.
- Controlling the application via a remote PC.
- Using a second monitor.

3 SAS Test Application Overview

Overview / 26

Making Hardware Connections for SAS-4 Compliance Testing / 27

SAS Test Application Test Groups / 40

Test Availability in the SAS-4 Compliance Test Application / 41

The Keysight D9040SASC SAS-4 Compliance Test Application enables compliance testing of the SAS devices, in adherence to the SAS-4 specifications. This chapter describes the required hardware connections for SAS-4 compliance testing, the test groups in the SAS-4 compliance test application, and the test availability criteria.

Overview

The group of tests specified in this Methods of Implementation document pertains to the SAS-4 specifications. The specification defines the electrical requirements of the signals for 1.5, 3.0, 6.0, 12.0, and 22.5 Gbps bit rates at IT and CT test points. This Method of Implementation document, however, describes the tests for the 22.5 Gbps bit rate only.

Making Hardware Connections for SAS-4 Compliance Testing

The required hardware and interconnections vary, depending on the configured test pattern source and use of RealEdge feature in Infiniium Q-Series and Z-series oscilloscopes.

Infiniium Q-Series and Z-Series oscilloscopes support RealEdge technology that allows for 63 GHz of bandwidth on two channels. In these oscilloscopes, there are two additional 1.85 mm channel inputs, 1R and 3R that enable support for RealEdge feature. Hence, if you are using RealEdge, the connection diagrams will vary from the setups not using RealEdge.

NOTE

The use of RealEdge feature in Infiniium Q-Series and Z-series oscilloscopes is optional.

To select the RealEdge channels in the SAS-4 application, go to **Configure** tab and set the **Tx Connection** configuration variable to **Single-Ended, Real Edge Channels**.

NOTE

Sampling Rate is fixed at 160GSa/s when RealEdge is enabled.

The Test Pattern Source setting offers the following options:

- BIST_L
- BIST_T
- SavedWFM

BIST_T

For BIST_T as the test pattern source, there is no additional device or more specifically a pattern generator required. The SAS test application does not control the stimulus using a pattern generator. The user must manually configure the test patterns during tests. The SAS test application prompts the user for test patterns.

Since there is no pattern generator involved in this arrangement, the connection setup involves the SAS Test Fixture attached to SAS DUT and connected with Channel 1 and Channel 3, Channel 2 and Channel 4, or Channel 1R and 3R (for RealEdge) of the oscilloscope.

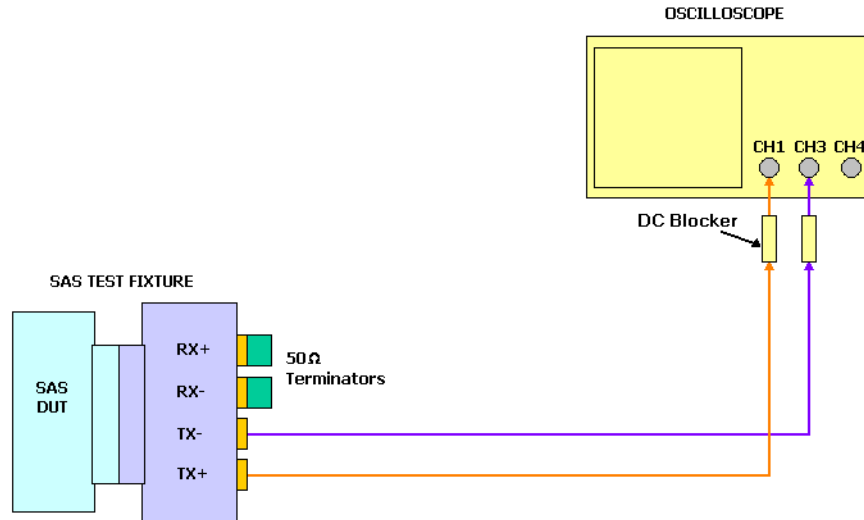


Figure 7 BIST_T Connection Diagram with Channel 1 and Channel 3

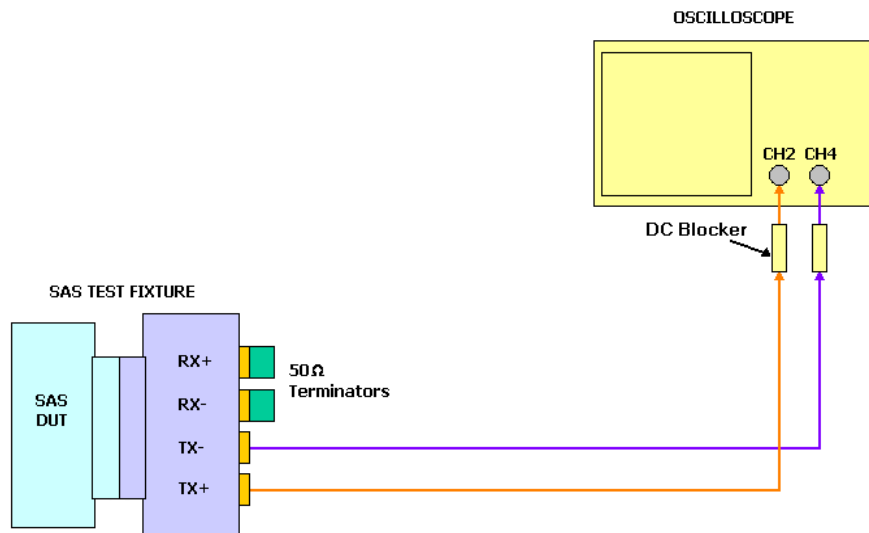


Figure 8 BIST_T Connection Diagram with Channel 2 and Channel 4

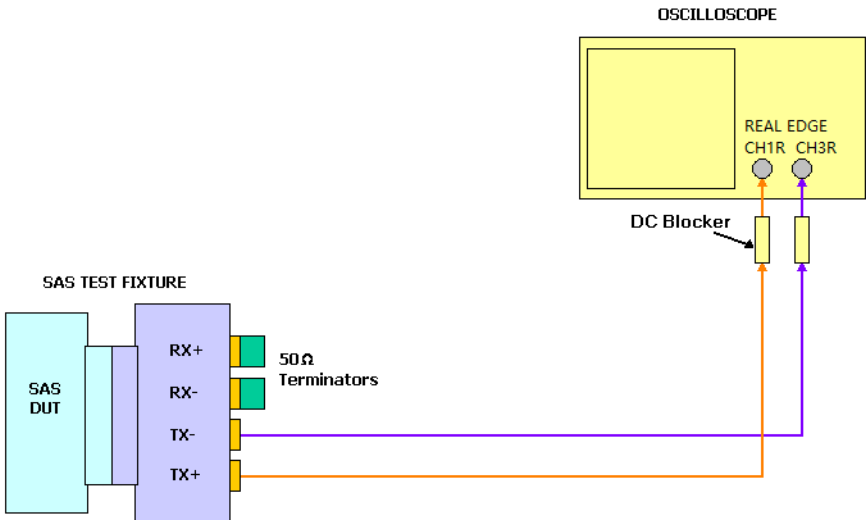


Figure 9 BIST_T Connection Diagram with Channel 1R and Channel 3R

BIST_L

With the BIST_L test pattern source, the SAS test application controls the stimulus using 81134A, N4903B, M8020A, or M8040A to generate the required test pattern and the DUT then reads/loops back the test pattern generated by the stimulus.

For the 22.5 Gbps bit rate, M8020A and N4903B require a multiplexer to expand the bit rate up to the required limit. M8020A uses M8061A or M8062A as the multiplexer while N4903B can use either N4876A or M8061A as the multiplexer. Refer to the following connection diagrams.

Additionally, the connection diagrams display the required connections when using M8040A BERT for OOB and non-OOB tests.

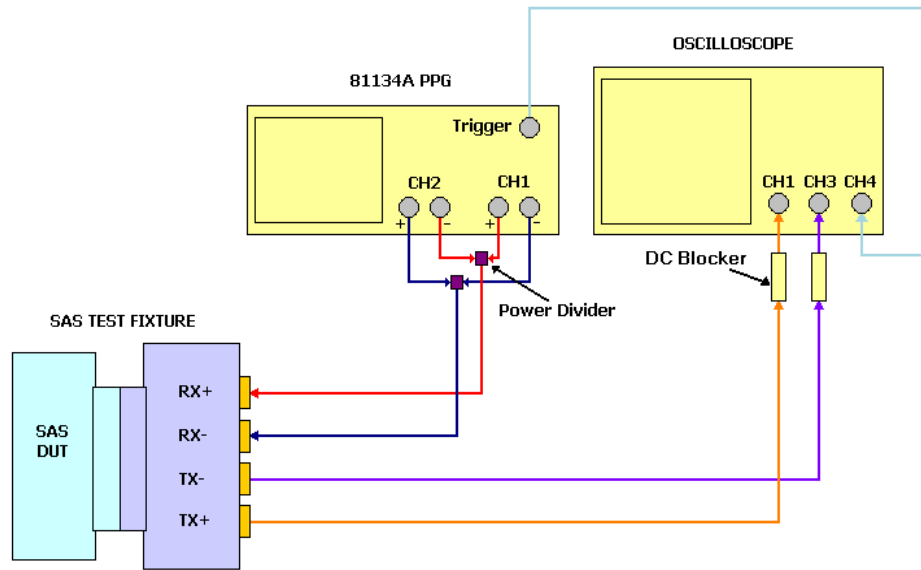


Figure 10 BIST_L Connection Diagram with 81134A with Channel 1 and Channel 3

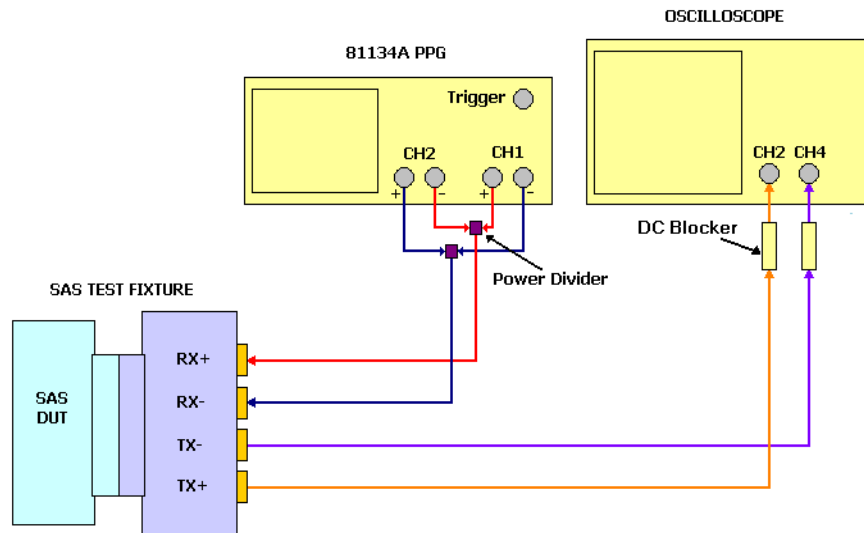


Figure 11 BIST_L Connection Diagram with 81134A with Channel 2 and Channel 4

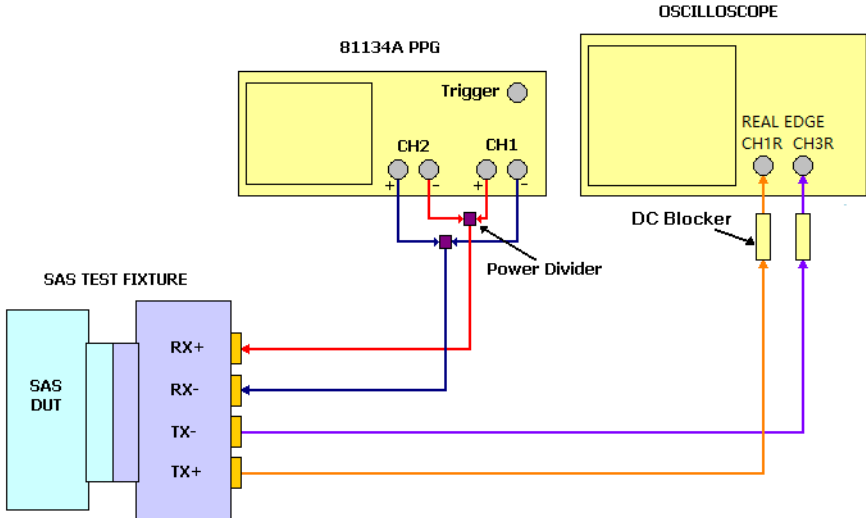


Figure 12 BIST_L Connection Diagram with 81134A with Channel 1R and Channel 3R

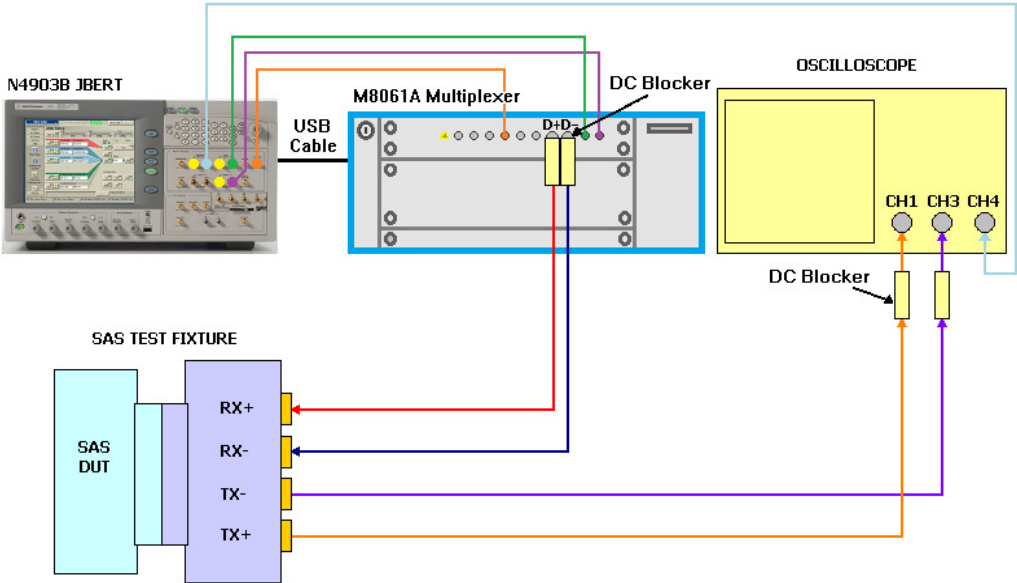


Figure 13 BIST_L Connection Diagram with N4903B JBERT and M8061A Multiplexer with Channel 1 and Channel 3

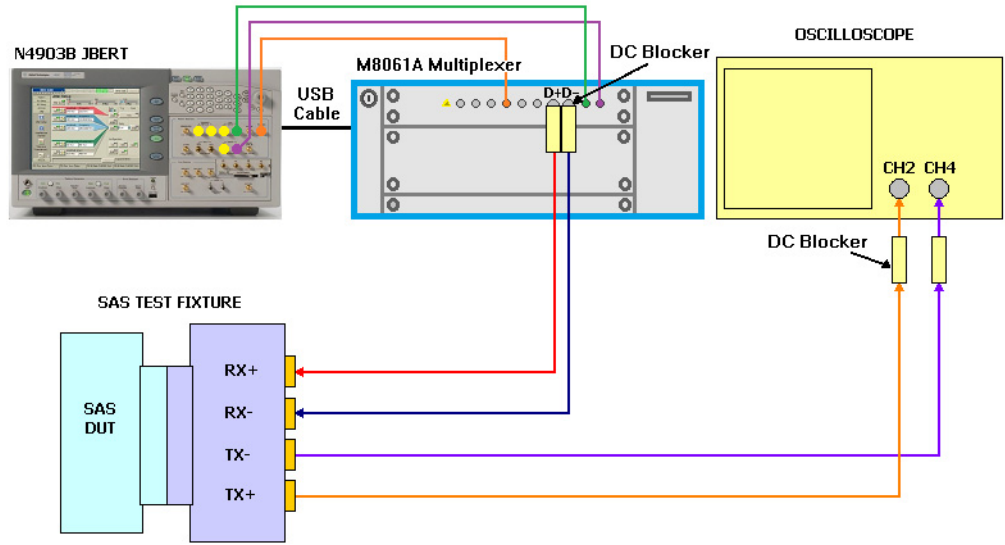


Figure 14 BIST_L Connection Diagram with N4903B JBERT and M8061A Multiplexer with Channel 2 and Channel 4

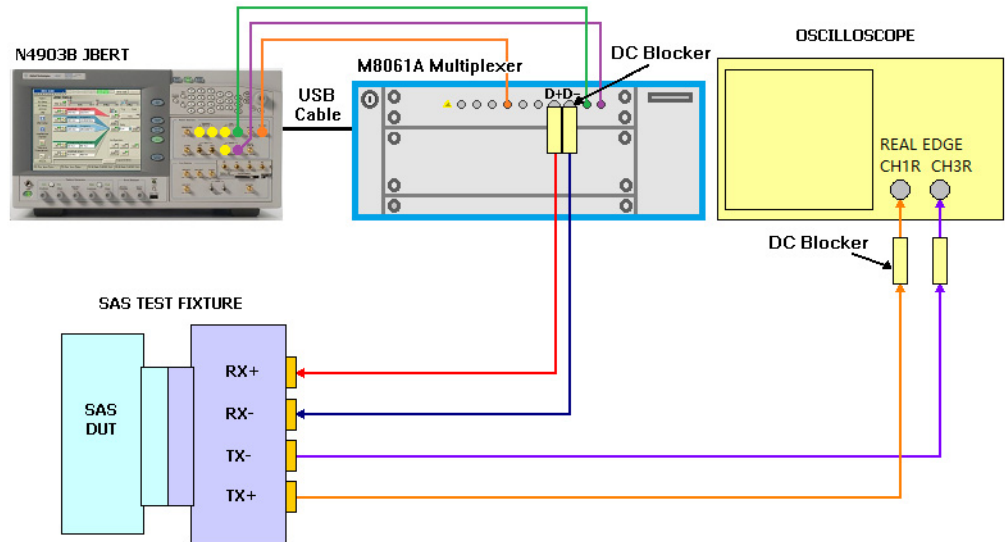


Figure 15 BIST_L Connection Diagram with N4903B JBERT and M8061A Multiplexer with Channel 1R and Channel 3R

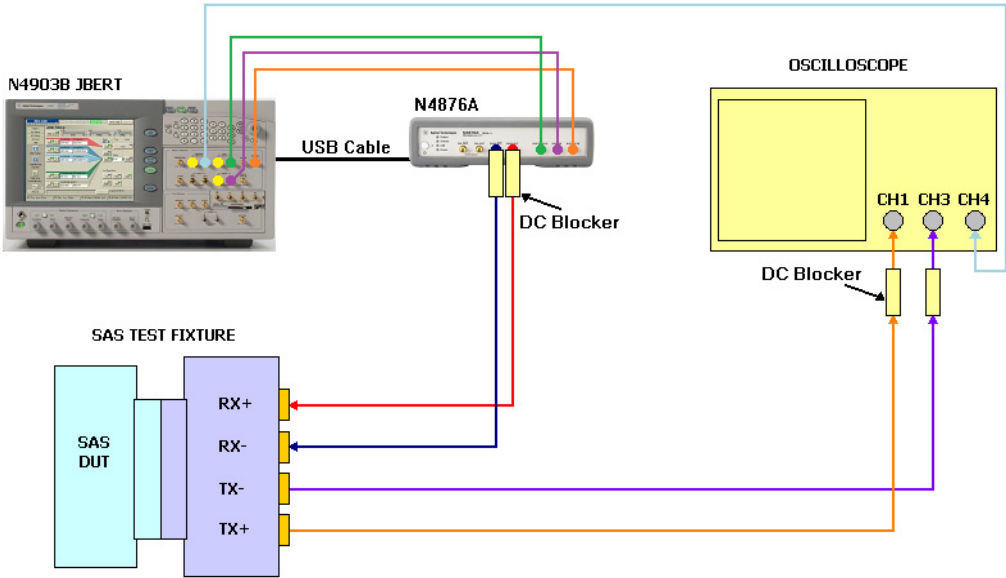


Figure 16 BIST_L Connection Diagram with N4903B JBERT and N4876A Multiplexer with Channel 1 and Channel 3

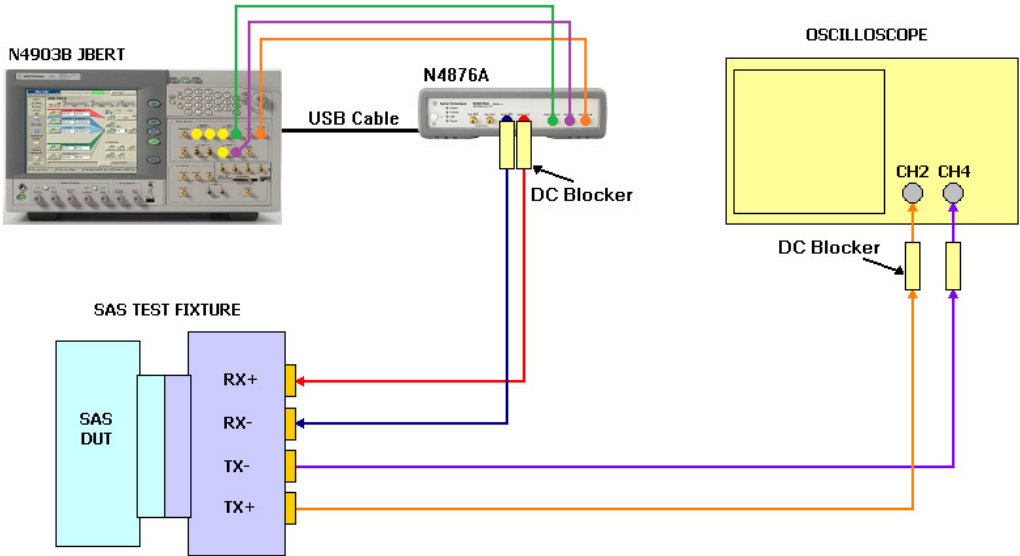


Figure 17 BIST_L Connection Diagram with N4903B JBERT and N4876A Multiplexer with Channel 2 and Channel 4

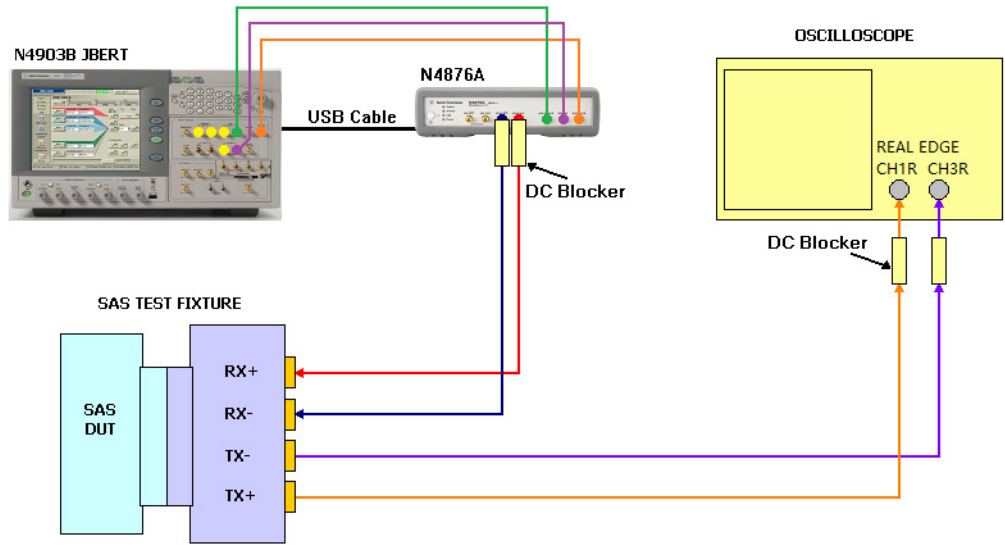


Figure 18 BIST_L Connection Diagram with N4903B JBERT and N4876A Multiplexer with Channel 1R and Channel 3R

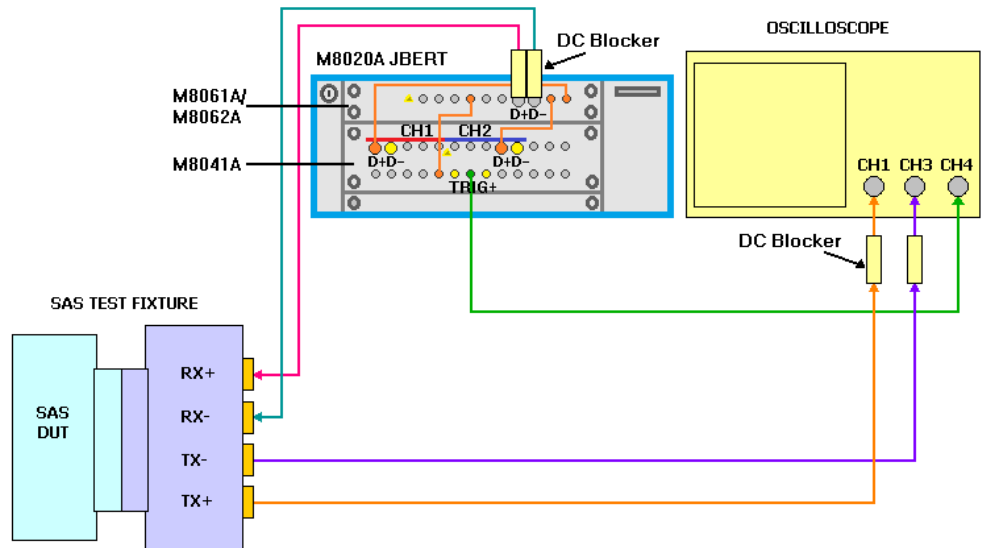


Figure 19 BIST_L Connection Diagram with M8020A JBERT with Channel 1 and Channel 3

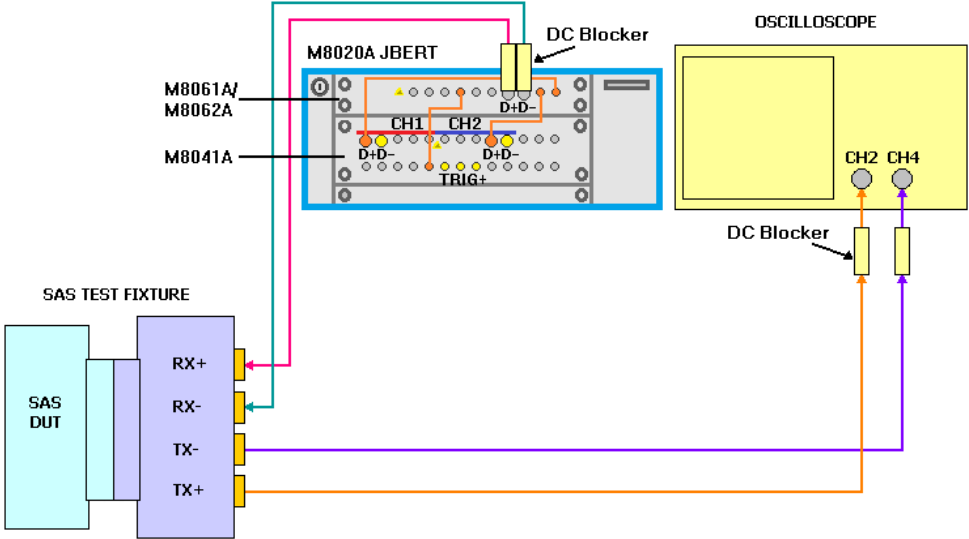


Figure 20 BIST_L Connection Diagram with M8020A JBERT with Channel 2 and Channel 4

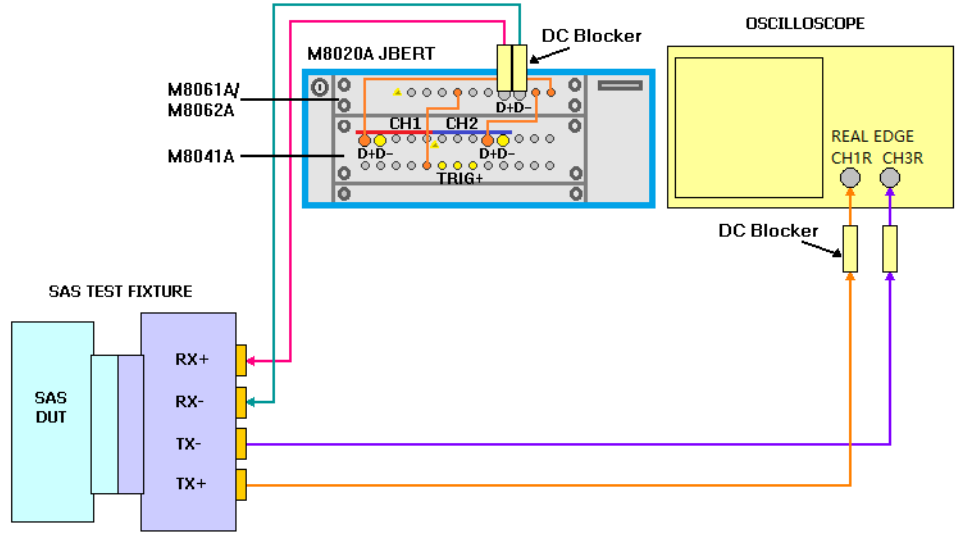


Figure 21 BIST_L Connection Diagram with M8020A JBERT with Channel 1R and Channel 3R

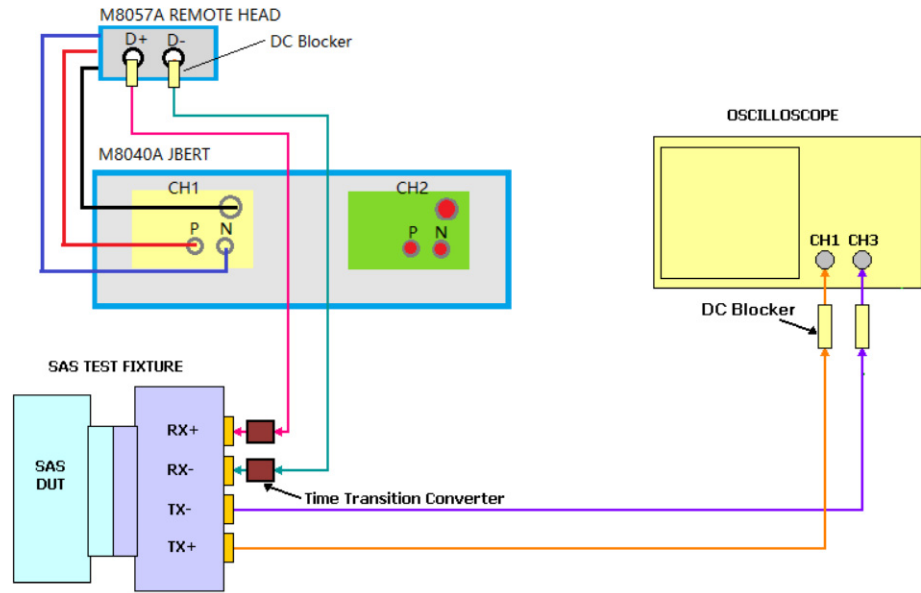


Figure 22 BIST_L Connection Diagram with M8040A JBERT with Channel 1 and Channel 3

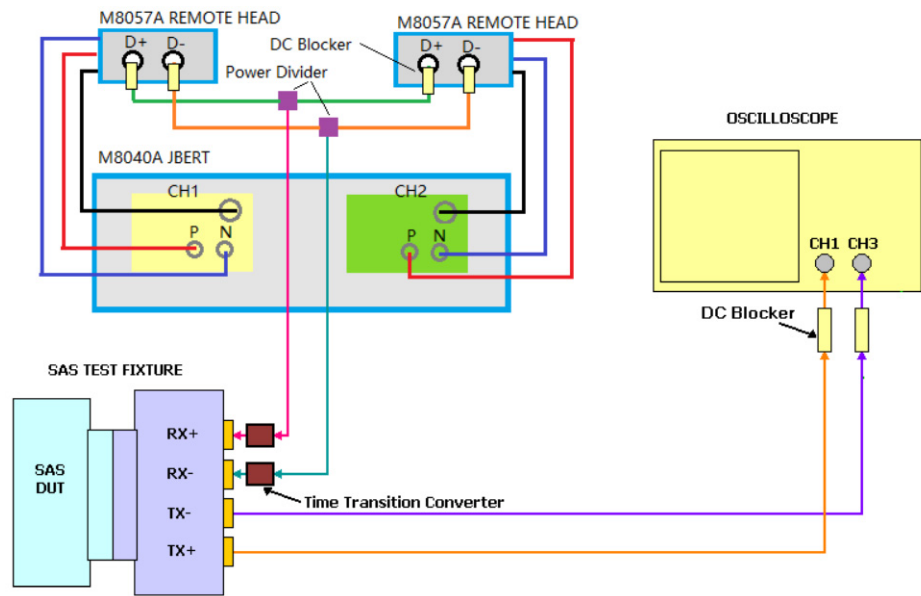


Figure 23 BIST_L Connection Diagram with M8040A JBERT with Channel 1 and Channel 3 for OOB Tests

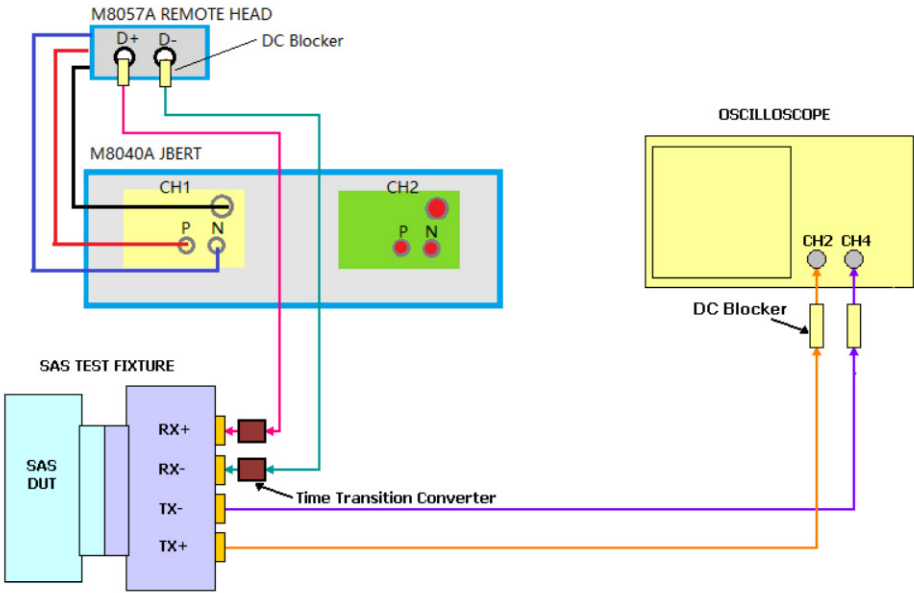


Figure 24 BIST_L Connection Diagram with M8040A JBERT with Channel 2 and Channel 4

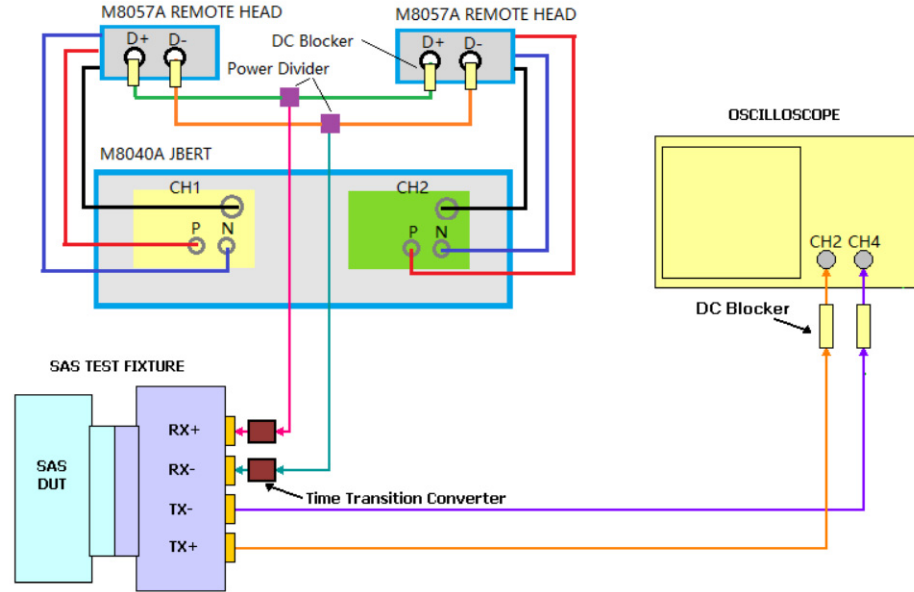


Figure 25 BIST_L Connection Diagram with M8040A JBERT with Channel 2 and Channel 4 for OOB Tests

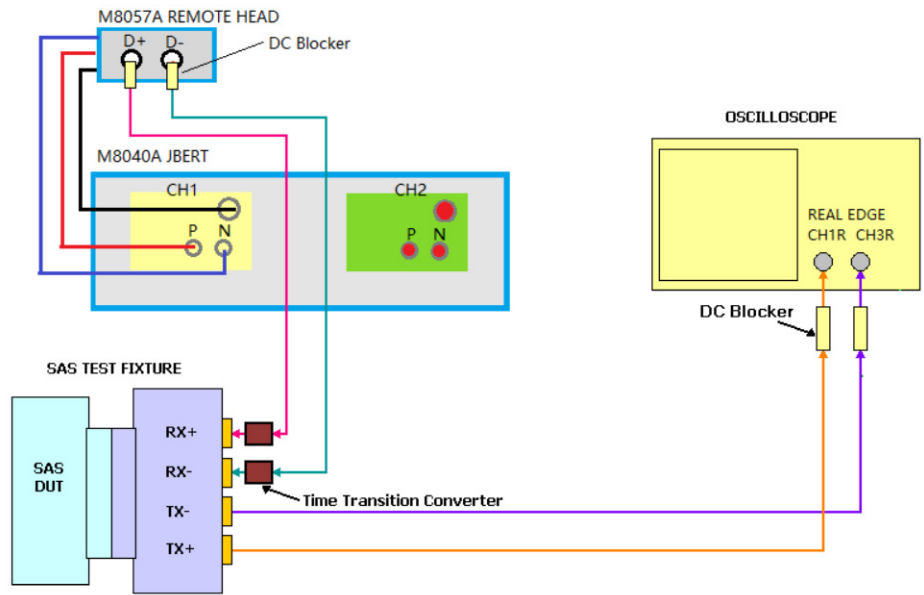


Figure 26 BIST_L Connection Diagram with M8040A JBERT with Channel 1R and Channel 3R

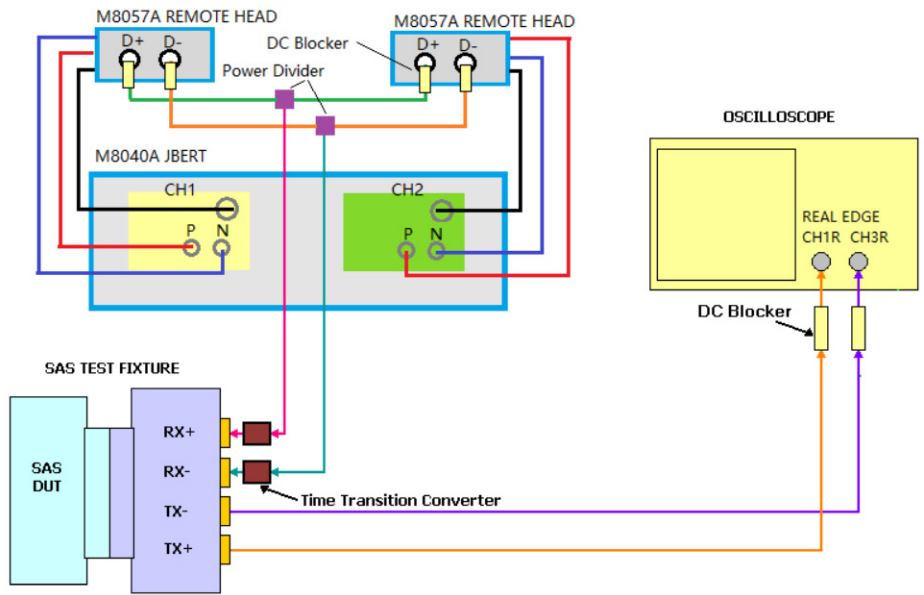


Figure 27 BIST_L Connection Diagram with M8040A JBERT with Channel 1R and Channel 3R for OOB Tests

SavedWFM

When you select SavedWFM, the SAS test application analyzes the loaded waveform. There is no specific requirement for connection. You may leave the current connection as it is. The application runs on the previously saved WFM file only and does not require a live signal.

NOTE

If Tx Waveform Distortion Penalty (WDP) test is selected, ensure that:

- A licensed version of MATLAB is installed (MATLAB 2016b and above).
 - SASWDP.m matlab script is available at the following directory C:\ProgramData\Infiniium\Compliance-Defined Functions 2016B.
-

SAS Test Application Test Groups

The test groups in the SAS-4 Compliance Test Application are categorized as:

- TX SAS-SAS Down Spreading Spread Spectrum Clocking Requirements
- TX SAS-SAS Center Spreading Spread Spectrum Clocking Requirements
- TX SAS-SATA Down Spreading Spread Spectrum Clocking Requirements
- TX NRZ Data Signaling Requirements
- TX Coefficient Requests and Circuit Response Requirements
- TX Device End-to-End Simulation Characteristics Requirements
- TX OOB Signaling

Out of these, only the following test groups are available for the 22.5 Gbps bit rate:

- TX SAS-SAS Down Spreading Spread Spectrum Clocking Requirements
- TX SAS-SAS Center Spreading Spread Spectrum Clocking Requirements
- TX NRZ Data Signaling Requirements
- TX Coefficient Requests and Circuit Response Requirements
- TX OOB Signaling

Test Availability in the SAS-4 Compliance Test Application

The SAS-4 Compliance Test Application consists of some options in the **Set Up** tab that determine the availability of certain tests. For such tests, if one of the options is disabled, the test is unavailable. The options in the **Set Up** tab, as shown in **Figure 28**, which primarily affect the availability of tests are:

- 1 Bit Rate (Gbps)
- 2 SSC Modulation Type
- 3 Hide Informative Tests

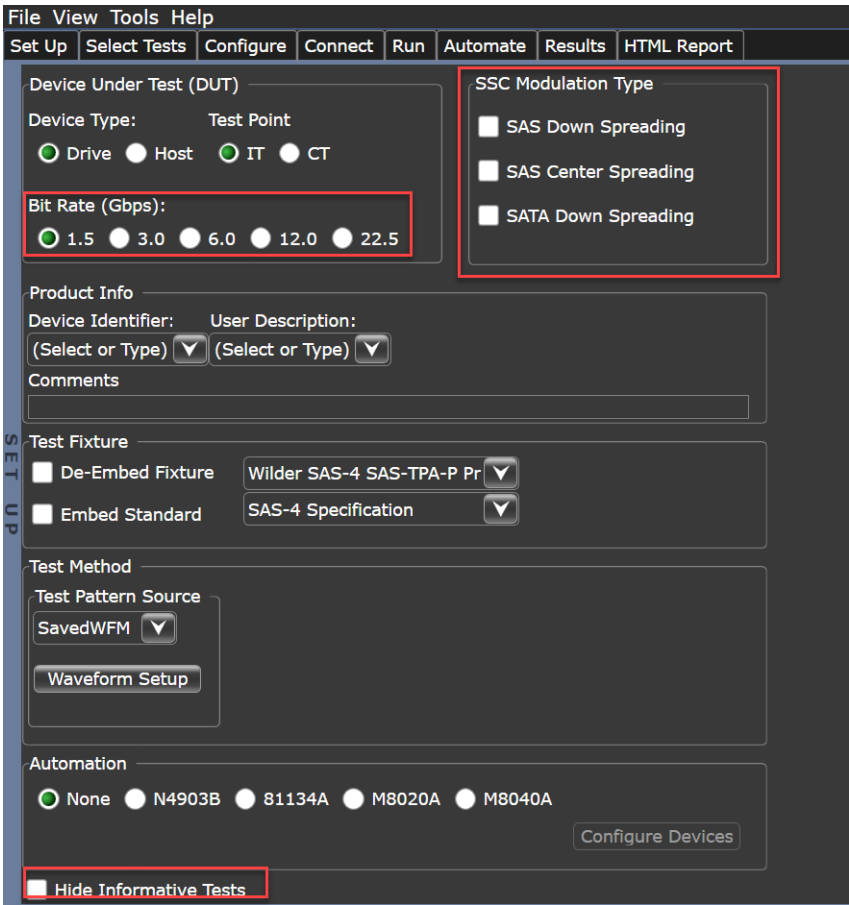


Figure 28 SAS-4 Configuration Options in the **Set Up** tab

Bit Rate (Gbps)

The available bit rates are 1.5 Gbps, 3.0 Gbps, 6.0 Gbps, 12.0 Gbps, and 22.5 Gbps. The following are the implications of selecting the different bit rates:

- The **SATA Down Spreading** SSC Modulation Type is not available for 12.0 Gbps and 22.5 Gbps bit rates. Hence, the TX SAS-SATA Down Spreading Spread Spectrum Clocking Requirements tests are not available for these bit rates.
- The following additional settings are available in the Test Method area when 12.0 Gbps bit rate is selected:
 - Tx Vpp, ET Test Method
 - End-to-End Simulation Type

Hence, the following additional test groups are available under the **Select Tests** tab for the 12.0 Gbps bit rate:

- TX Coefficient Requests and Circuit Response Requirements tests
- TX Device End-to-End Simulation Characteristics Requirements tests
- The following additional setting is available in the Test Method area when 22.5 Gbps bit rate is selected:
 - Tx Vpp, ET Test Method

Hence, the following additional test group is available under the **Select Tests** tab for 22.5 Gbps bit rate:

- TX Coefficient Requests and Circuit Response Requirements tests

SSC Modulation Type

The selection(s) made in this area determine the availability of the following test groups under the Select Tests tab.

SSC Modulation Type	Serial Attached SCSI (SAS) Tests
SAS Down Spreading	TX SAS-SAS Down Spreading Spread Spectrum Clocking Requirements
SAS Center Spreading	TX SAS-SAS Center Spreading Spread Spectrum Clocking Requirements
SATA Down Spreading	TX SAS-SATA Down Spreading Spread Spectrum Clocking Requirements

NOTE

The SATA Down Spreading type is not available for the 12.0 Gbps and 22.5 Gbps bit rates.

Hide Informative Tests

Selecting this check box hides the informative tests from the test groups. Informative Tests provide additional test information about the DUT that is not mandatory to be validated for the compliance purpose. For example, the TX SSC DFDT tests in the TX SAS-SAS Down Spreading Spread Spectrum Clocking Requirements are Informative Tests and are displayed as "TX SSC DFDT (Informative)" under the Select Tests tab. However, when you select the **Hide Informative Tests** check box under the Set Up tab, these tests are hidden from the test group under the Select Tests tab.

To check for the configuration options that impact the availability of each of the tests described in this document, refer to the Test Availability section for each test, wherever present.

4 TX SAS-SAS Down Spreading Spread Spectrum Clocking Requirements Tests

Connection for SAS-SAS Down Spreading Spread Spectrum Clocking Requirements Tests / 44
TX SSC Modulation Frequency / 45
TX SSC Modulation Deviation / 46
TX SSC DFDT (Informative) / 48

This section provides the Methods of Implementation (MOIs) for the SAS-SAS Down Spreading Spread Spectrum Clocking Requirements tests using a Keysight Infiniium oscilloscope and the SAS-4 Compliance Test Application.

Connection for SAS-SAS Down Spreading Spread Spectrum Clocking Requirements Tests

When performing the SAS-SAS Down Spreading Spread Spectrum Clocking tests, the SAS-4 Compliance Test Application will prompt you to make the proper connections. The connections for these tests depend on the **Bit Rate** and the **Test Pattern Source** selected under the Set Up tab. Refer to the **Connect** tab in the SAS-4 Compliance Test Application for the exact connections. Additionally, refer to [“Making Hardware Connections for SAS-4 Compliance Testing”](#) on page 27.

You can configure other settings used in these tests in the **Configure** tab of the SAS-4 Compliance Test Application.

Test Procedure

- 1 Start the automated test application as described in [“Starting the SAS-4 Compliance Test Application”](#) on page 21.
- 2 In the SAS-4 Compliance Test Application, click the **Set Up** tab.
- 3 Select the **Bit Rate** as **22.5** and in the **Device Under Test (DUT)** section.
- 4 Select **SAS Down Spreading** as the SSC Modulation Type.
- 5 Click the **Select Tests** tab and check the tests you want to run. Check the parent node or group to check all the available tests within the group.

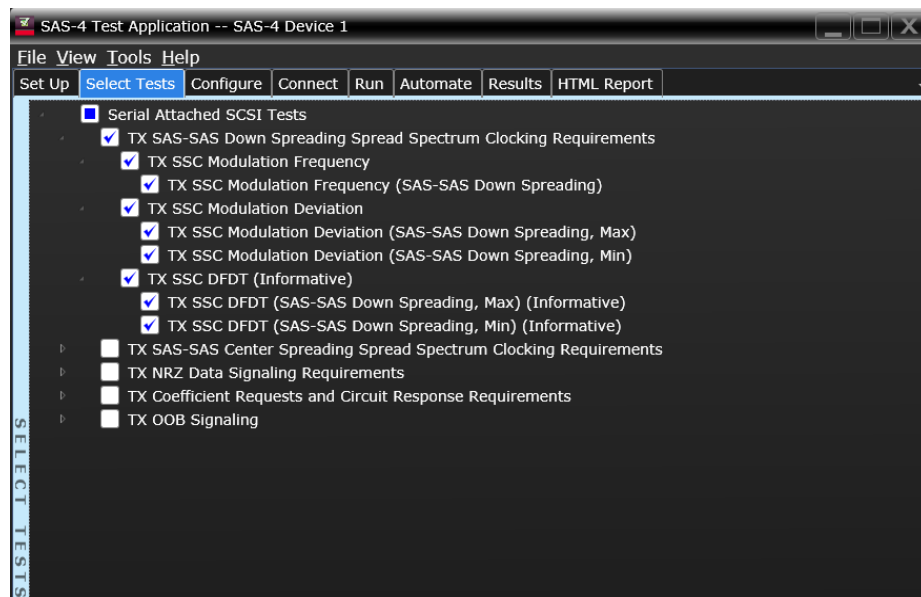


Figure 29 Selecting SAS Down Spreading Spread Spectrum Tests

- 6 Follow the SAS-4 Compliance Test Application’s task flow to set up the configuration options, run the tests, and view the tests results.

TX SSC Modulation Frequency

Test Overview

The purpose of this test is to verify that the SSC modulation frequency of the signal transmitted by the DUT is within the conformance limits.

For conformance, the TX SSC Modulation Frequency should be greater than or equal to 30.00 kHz and less than or equal to 33.00 kHz.

Test Availability

Table 1 shows the configuration options on the SAS-4 Compliance Test Application that affect the availability of the TX SSC Modulation Frequency test.

Table 1 Configuration Options for TX SSC Modulation Frequency Test

Test Name	Test ID	SSC Modulation Type		
		SAS Down Spreading	SAS Center Spreading	SATA Down Spreading
TX SSC Modulation Frequency	10121	✓	-	Not Applicable

References

See Section 5.8.6.1 of the Serial Attached SCSI-4 (SAS-4) Specification Revision 09.

Test Procedure

- 1 Connect the Zero-Length test load to the DUT transmitter device.
- 2 Configure the Infiniium oscilloscope to capture a minimum of 2 million samples at a minimum sampling rate of 80GSa/s.
- 3 Configure the DUT to transmit the 1010 pattern at the required bit rate with down spreading SSC modulation enabled.
- 4 Verify that the DUT is sourcing valid SAS signals at the expected rate.
- 5 Capture one acquisition of the DUT's differential transmitted data signal.
- 6 Using post-processing techniques and 4th order Butterworth filter, calculate the 200kHz-filtered SSC profile.
- 7 Measure the frequency of the SSC profile over a minimum of 10 periods to produce the SSC modulation frequency.

Expected/Observable Results

The measured value of the SSC modulation frequency of the signal transmitted by DUT must be within the conformance limit.

TX SSC Modulation Deviation

Test Overview

The purpose of this test sub-group is to verify that the maximum and minimum SSC modulation deviations of the signal transmitted by the DUT are within the conformance limits.

For conformance, the maximum TX SSC Modulation Deviation should be less than or equal to 100 ppm and the minimum TX SSC Modulation Deviation should be greater than or equal to -600 ppm.

Test Availability

Table 2 shows the configuration options on the SAS-4 Compliance Test Application that affect the availability of the TX SSC Modulation Deviation test.

Table 2 Configuration Options for TX SSC Modulation Deviation Test

Test Name	Test ID	SSC Modulation Type		
		SAS Down Spreading	SAS Center Spreading	SATA Down Spreading
TX SSC Modulation Deviation (Max)	10221	✓	-	Not Applicable
TX SSC Modulation Deviation (Min)	10222	✓	-	Not Applicable

References

See Section 5.8.6.1, Table 86 of Serial Attached SCSI-4 (SAS-4) Specification Revision 09.

Test Procedure

- 1 Connect the Zero-Length test load to the DUT transmitter device.
- 2 Configure the Infiniium oscilloscope to capture a minimum of 2 million samples at a minimum sampling rate of 80GSa/s.
- 3 Configure the DUT to transmit the 1010 pattern at the required bit rate with down spreading SSC modulation enabled.
- 4 Verify that the DUT is sourcing valid SAS signals at the expected rate.
- 5 Capture one acquisition of the DUT's differential transmitted data signal.
- 6 Using post-processing techniques and 2nd order Butterworth filter, calculate the 3.7+/-0.2MHz-filtered SSC profile.
- 7 Record the maximum and minimum profile peak values of SSC profile over a minimum of 10 periods.
- 8 Calculate the SSC modulation deviation using following equation:
 SSC Modulation Deviation (Max) = (Bit Rate Max – Bit Rate Nominal)/ (Bit Rate Nominal) * 1E6
 SSC Modulation Deviation (Min) = (Bit Rate Min – Bit Rate Nominal)/ (Bit Rate Nominal) * 1E6

NOTE

It is not mandatory that all the recorded values should be acquired from a single, contiguous block of SSC cycles. You may record measurements across multiple waveform acquisitions, to gather as many data cycles, as might be required.

Expected/Observable Results

The measured value of the minimum and maximum SSC modulation deviations of the signal transmitted by the DUT must be within the conformance limits.

TX SSC DFDT (Informative)

Test Overview

The purpose of this test sub-group is to verify that the maximum and minimum short term rates of change (slope) of the SSC modulation profile (dF/dt) are within the conformance limits.

For conformance, the maximum TX SSC DFDT should be less than or equal to 850 ppm/us and the minimum TX SSC DFDT should be greater than or equal to -850 ppm/us.

Test Availability

Table 3 shows the configuration options on the SAS-4 Compliance Test Application that affect the availability of the TX SSC DFDT test.

Table 3 Configuration Options for TX SSC DFDT Test

Test Name	Test ID	SSC Modulation Type			Hide Informative Tests	
		SAS Down Spreading	SAS Center Spreading	SATA Down Spreading	Enabled	Disabled
TX SSC DFDT (Informative) (Max)	10621	✓	-	Not Applicable	×	✓
TX SSC DFDT (Informative) (Min)	10622	✓	-	Not Applicable	×	✓

References

See Section 5.8.6.1 of Serial Attached SCSI-4 (SAS-4) Specification Revision 09.

Test Procedure

- 1 Connect the Zero-Length test load to the DUT transmitter device.
- 2 Configure the Infiniium oscilloscope to capture a minimum of 2 million samples at a minimum sampling rate of 80GSa/s.
- 3 Configure the DUT to transmit the 1010 pattern at the required bit rate with down spreading SSC modulation enabled.
- 4 Verify that the DUT is sourcing valid SAS signals at the expected rate.
- 5 Capture one acquisition of the DUT's differential transmitted data signal.
- 6 Using post-processing techniques and 2nd order Butterworth filter, calculate the 3.7+/-0.2MHz-filtered SSC profile.
- 7 Post-process the profile data to create the DFDT profile using the following differential equation.

$$\text{DFDT} = (f(t) - f(t-0.27\mu\text{s}))/0.27\mu\text{s}$$
 where f(t) is the SSC frequency deviation expressed in ppm
- 8 Measure and record the maximum and minimum of DFDT values.

Expected/Observable Results

The measured value of the minimum and maximum short term rates of change (slope) of the SSC modulation profile (dF/dt) must be within the conformance limits.

5 TX SAS-SAS Center Spreading Spread Spectrum Clocking Requirements Tests

Connection for SAS-SAS Center Spreading Spread Spectrum Clocking Requirements Tests / 50
TX SSC Modulation Frequency / 51
TX SSC Modulation Deviation / 52
TX SSC DFDT (Informative) / 54

This section provides the Methods of Implementation (MOIs) for the SAS-SAS Center Spreading Spread Spectrum Clocking Requirements tests using a Keysight Infiniium oscilloscope and the SAS-4 Compliance Test Application.

Connection for SAS-SAS Center Spreading Spread Spectrum Clocking Requirements Tests

When performing the SAS-SAS Center Spreading Spread Spectrum Clocking Requirements tests, the SAS-4 Compliance Test Application will prompt you to make the proper connections. The connections for these tests depend on the **Bit Rate** and the **Test Pattern Source** selected under the Set Up tab. Refer to the **Connect** tab in the SAS-4 Compliance Test Application for the exact connections. Additionally, refer to "[Making Hardware Connections for SAS-4 Compliance Testing](#)" on page 27.

You can configure other settings used in these tests in the **Configure** tab of the SAS-4 Compliance Test Application.

Test Procedure

- 1 Start the automated test application as described in "[Starting the SAS-4 Compliance Test Application](#)" on page 21.
- 2 In the SAS-4 Compliance Test Application, click the **Set Up** tab.
- 3 Select the **Bit Rate** as **22.5** and in the **Device Under Test (DUT)** section.
- 4 Select **SAS Center Spreading** as the SSC Modulation Type.
- 5 Click the **Select Tests** tab and check the tests you want to run. Check the parent node or group to check all the available tests within the group.

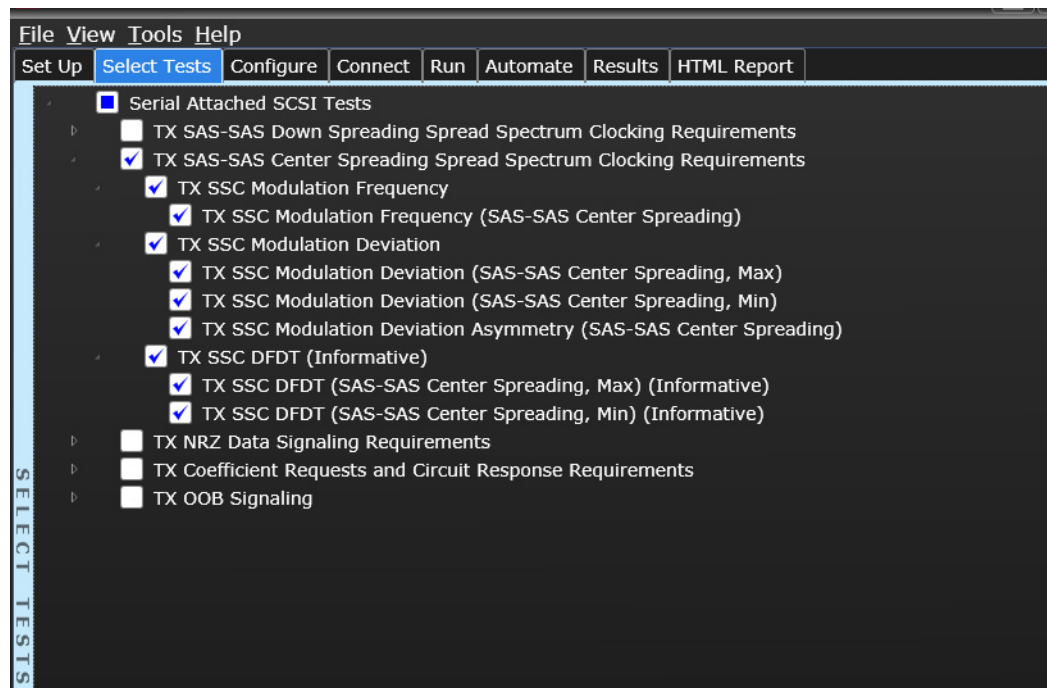


Figure 30 Selecting SAS Center Spreading Spread Spectrum Tests

- 6 Follow the SAS-4 Compliance Test Application's task flow to set up the configuration options, run the tests, and view the tests results.

TX SSC Modulation Frequency

Test Overview

The purpose of this test is to verify that the SSC modulation frequency of the signal transmitted by the DUT is within the conformance limits.

For conformance, the TX SSC Modulation Frequency should be greater than or equal to 30.00 kHz and less than or equal to 33.00 kHz.

Test Availability

Table 4 shows the configuration options on the SAS-4 Compliance Test Application that affect the availability of the TX SSC Modulation Frequency test.

Table 4 Configuration Options for TX SSC Modulation Frequency Test

Test Name	Test ID	SSC Modulation Type		
		SAS Down Spreading	SAS Center Spreading	SATA Down Spreading
TX SSC Modulation Frequency	10122	-	✓	Not Applicable

References

See Section 5.8.6.1 of Serial Attached SCSI-4 (SAS-4) Specification Revision 09.

Test Procedure

- 1 Connect the Zero-Length test load to the DUT transmitter device.
- 2 Configure the Infiniium oscilloscope to capture a minimum of 2 million samples at a minimum sampling rate of 80GSa/s.
- 3 Configure the DUT to transmit the 1010 pattern at the required bit rate with center spreading SSC modulation enabled.
- 4 Verify that the DUT is sourcing valid SAS signals at the expected rate.
- 5 Capture one acquisition of the DUT's differential transmitted data signal.
- 6 Using post-processing techniques and 4th order Butterworth filter, calculate the 200kHz-filtered SSC profile.
- 7 Measure the frequency of the SSC profile over a minimum of 10 periods to produce the SSC modulation frequency.

Expected/Observable Results

The measured value of the SSC modulation frequency of the signal transmitted by the DUT must be within the conformance limit.

TX SSC Modulation Deviation

Test Overview

The purpose of this test sub-group is to verify that the maximum and minimum SSC modulation deviations of the signal transmitted by DUT are within the conformance limits. Further, the TX SSC Modulation Deviation Asymmetry test within this test subgroup verifies that the SSC modulation deviation asymmetry of the signal transmitted by the DUT is within the conformance limit.

For conformance, the following are the pass limits:

TX SSC Modulation Deviation (Max) ≤ 600 ppm

TX SSC Modulation Deviation (Min) ≥ -600 ppm

TX SSC Modulation Deviation Asymmetry ≤ 288 ppm

Test Availability

Table 5 shows the configuration options on the SAS-4 Compliance Test Application that affect the availability of the TX SSC Modulation Deviation test.

Table 5 Configuration Options for TX SSC Modulation Deviation Test

Test Name	Test ID	SSC Modulation Type		
		SAS Down Spreading	SAS Center Spreading	SATA Down Spreading
TX SSC Modulation Deviation (Max)	10321	-	✓	Not applicable
TX SSC Modulation Deviation (Min)	10322	-	✓	Not applicable
TX SSC Modulation Asymmetry	10421	-	✓	Not applicable

References

See Section 5.8.6.1, Table 86 of Serial Attached SCSI-4 (SAS-4) Specification Revision 09.

Test Procedure

- 1 Connect the Zero-Length test load to the DUT transmitter device.
- 2 Configure the Infiniium oscilloscope to capture a minimum of 2 million samples at a minimum sampling rate of 80GSa/s.
- 3 Configure the DUT to transmit the 1010 pattern at the required bit rate with center spreading SSC modulation enabled.
- 4 Verify that the DUT is sourcing valid SAS signals at the expected rate.
- 5 Capture one acquisition of the DUT's differential transmitted data signal.
- 6 Using post-processing techniques and 2nd order Butterworth filter, calculate the 3.7+/-0.2MHz-filtered SSC profile.
- 7 Record the maximum and minimum profile peak values of SSC profile over a minimum of 10 periods.

- 8 Calculate the SSC modulation deviation using following equation:
SSC Modulation Deviation (Max) = (Bit Rate Max – Bit Rate Nominal)/ (Bit Rate Nominal) * 1E6
SSC Modulation Deviation (Min) = (Bit Rate Min – Bit Rate Nominal)/ (Bit Rate Nominal) * 1E6
- 9 Calculate the Deviation Asymmetry using the following equation:
Deviation Asymmetry = abs (SSC Modulation Deviation (Max)+ SSC Modulation Deviation (Min))

NOTE

It is not mandatory that all the recorded values should be acquired from a single, contiguous block of SSC cycles. You may record measurements across multiple waveform acquisitions, to gather as many data cycles, as might be required.

Expected/Observable Results

The measured value of the minimum and maximum SSC modulation deviations of the signal transmitted by the DUT must be within the conformance limits. Further, the SSC modulation deviation asymmetry of the signal transmitted by the DUT must be within the conformance limit.

TX SSC DFDT (Informative)

Test Overview

The purpose of this test sub-group is to verify that the maximum and minimum short term rates of change (slope) of the SSC modulation profile (dF/dt) are within the conformance limits.

For conformance, the maximum TX SSC DFDT should be less than or equal to 850 ppm/us while the minimum TX SSC DFDT should be greater than or equal to -850 ppm/us.

Test Availability

Table 6 shows the configuration options on the SAS-4 Compliance Test Application that affect the availability of the TX SSC DFDT test.

Table 6 Configuration Options for TX SSC DFDT Test

Test Name	Test ID	SSC Modulation Type			Hide Informative Tests	
		SAS Down Spreading	SAS Center Spreading	SATA Down Spreading	Enabled	Disabled
TX SSC DFDT (Informative) (Max)	10721	-	✓	Not Applicable	×	✓
TX SSC DFDT (Informative) (Min)	10722	-	✓	Not Applicable	×	✓

References

See Section 5.8.6.1 of Serial Attached SCSI-4 (SAS-4) Specification Revision 09.

Test Procedure

- 1 Connect the Zero-Length test load to the DUT transmitter device.
- 2 Configure the Infiniium oscilloscope to capture a minimum of 2 million samples at a minimum sampling rate of 80GSa/s.
- 3 Configure the DUT to transmit the 1010 pattern at the required bit rate with down spreading SSC modulation enabled.
- 4 Verify that the DUT is sourcing valid SAS signals at the expected rate.
- 5 Capture one acquisition of the DUT's differential transmitted data signal.
- 6 Using post-processing techniques and 2nd order Butterworth filter, calculate the 3.7+/-0.2MHz-filtered SSC profile.
- 7 Post-process the profile data to create the DFDT profile using the following differential equation.

$$DFDT = (f(t) - f(t-0.27\mu s))/0.27\mu s$$
 where f(t) is the SSC frequency deviation expressed in ppm.
- 8 Measure and record the maximum and minimum of DFDT values.

Expected/Observable Results

The measured value of the minimum and maximum short term rates of change (slope) of the SSC modulation profile (dF/dt) must be within the conformance limits.

6 NRZ Data Signaling Requirements Tests

Connection for NRZ Data Signaling Requirements Tests /	56
TX Physical Link Rate Long Term Stability (Mean) /	57
TX Common Mode RMS Voltage /	58
TX Common Mode Spectrum /	59
TX Common Mode Voltage /	60
TX Vpp, IT (TX Peak-to-Peak Voltage, IT) /	61
TX Total Jitter /	62
TX Uncorrelated Unbounded Gaussian Jitter /	63
TX Uncorrelated Bounded High Probability Jitter /	64
TX Duty Cycle Distortion /	65

This section provides the Methods of Implementation (MOIs) for the NRZ Data Signaling Requirements tests using a Keysight Infiniium oscilloscope and the SAS-4 Compliance Test Application.

Connection for NRZ Data Signaling Requirements Tests

When performing the NRZ Data Signaling Requirements tests, the SAS-4 Compliance Test Application will prompt you to make the proper connections. The connections for these tests depend on the **Bit Rate** and **Test Pattern Source** selected under the Set Up tab. Refer to the **Connect** tab in the SAS-4 Compliance Test Application for the exact connections. Additionally, refer to [“Making Hardware Connections for SAS-4 Compliance Testing”](#) on page 27.

You can configure other settings used in these tests in the **Configure** tab of the SAS-4 Compliance Test Application.

Test Procedure

- 1 Start the automated test application as described in [“Starting the SAS-4 Compliance Test Application”](#) on page 21.
- 2 In the SAS-4 Compliance Test Application, click the **Set Up** tab.
- 3 Select the **Bit Rate** as **22.5** in the **Device Under Test (DUT)** section.
- 4 Click the **Select Tests** tab and check the tests you want to run. Check the parent node or group to check all the available tests within the group.

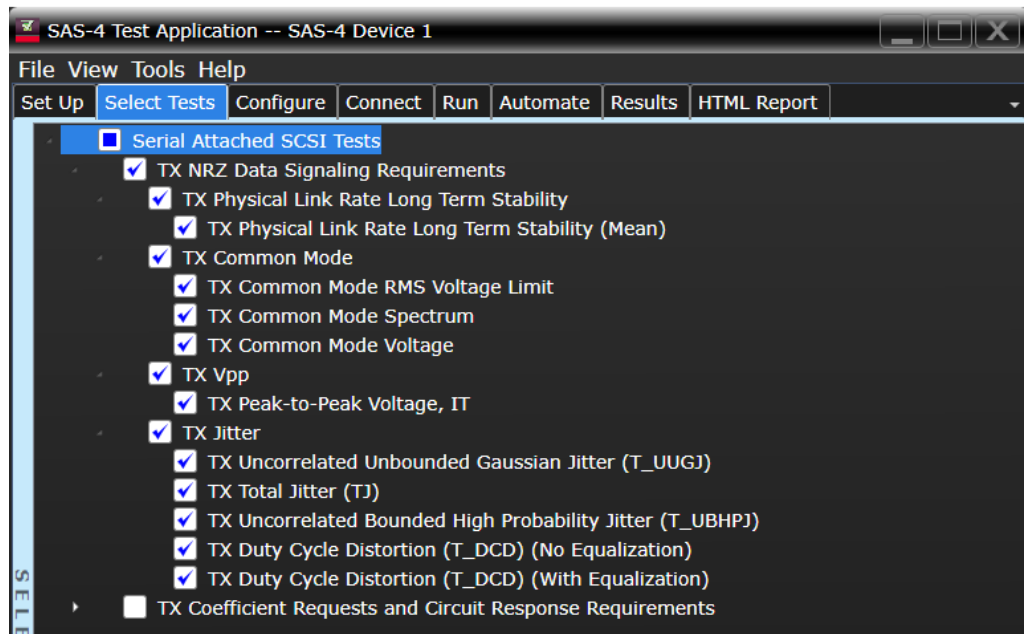


Figure 31 Selecting NRZ Data Signaling Requirements Tests

- 5 Follow the SAS-4 Compliance Test Application’s task flow to set up the configuration options, run the tests, and view the tests results.

TX Physical Link Rate Long Term Stability (Mean)

Test Overview

The purpose of this test is to verify that the mean of the long term stability of the DUT transmitter's physical link rate is within the conformance limits.

For conformance, TX Physical Link Rate Long Term Stability (Mean) should be greater than or equal to -100 ppm and less than or equal to 100 ppm.

Test Availability

This test is not dependent on any settings under the Set Up tab. Hence, this test is available for all the values under the Set Up tab.

References

See Section 5.8.4.3, Table 44 of the Serial Attached SCSI-4 (SAS-4) Specification Revision 09.

Test Id for this test is 20123.

Test Procedure

- 1 Connect the Zero-Length test load to the DUT transmitter device.
- 2 Configure the oscilloscope to capture a minimum of 2 million samples at a minimum sampling rate of 80GSa/s.
- 3 Configure the DUT to transmit the 1010 test pattern at the required bit rate, with SSC modulation disabled.
- 4 Verify that the DUT is sourcing valid SAS signals at the expected rate.
- 5 Capture one acquisition of the DUT's differential transmitted data signal.
- 6 Using post-processing technique and 3.7+/-0.2MHz cutoff frequency 1st order Butterworth filter, compute the instantaneous physical link rate.
- 7 Measure and record the average bit rate value (in ppm) for the entire capture.

Expected/Observable Results

The measured value of the mean of the long term stability of the DUT transmitter's physical link rate must be within the conformance limits.

TX Common Mode RMS Voltage

Test Overview

The purpose of the TX Common Mode RMS Voltage Limit test is to verify that the common mode RMS voltage of the DUT's transmitter device is less than the maximum allowed value.

For conformance, TX Common Mode RMS Voltage Limit should be less than or equal to 12 mV.

Test Availability

This test is not dependent on any settings under the Set Up tab. Hence, this test is available for all the values under the Set Up tab.

Test Id for this test is 20221.

References

See Section 5.8.4.8.1, Table 61 of the Serial Attached SCSI-4 (SAS-4) Specification Revision 09.

Test Procedure

- 1 Connect the Zero-Length test load to the DUT transmitter device.
- 2 Configure the Infiniium oscilloscope to capture at least 100 μ s of signals at a minimum sampling rate of 80GSa/s.
- 3 Configure the DUT to transmit the PRBS15 test pattern at the required bit rate, with SSC modulation disabled.
- 4 Verify that the DUT is sourcing valid SAS signals at the expected rate.
- 5 Capture one acquisition of the DUT's single-ended transmitted data signal.
- 6 Using post-processing technique, compute the common-mode signal.
- 7 Measure and record the RMS value of the common-mode signal.

Expected/Observable Results

The measured values of the common mode signal parameters of the DUT's transmitter device must be within the conformance limits.

TX Common Mode Spectrum

Test Overview

The purpose of the TX Common Mode Spectrum test is to verify that the common mode spectral characteristics of the DUT's transmitter device are below the maximum allowed limits.

For conformance, TX Common Mode Spectrum Margin (100MHz - 16.875GHz) (22.5GB) should be less than or equal to 0.0000 dB.

Test Availability

This test is not dependent on any settings under the Set Up tab. Hence, this test is available for all the values under the Set Up tab.

Test Id for this test is 20321.

References

See Section 5.8.4.8.1, Table 62 of the Serial Attached SCSI-4 (SAS-4) Specification Revision 09.

Test Procedure

- 1 Connect the Zero-Length test load to the DUT transmitter device.
- 2 Configure the Infiniium oscilloscope to capture at least 100 μ s of signals at a minimum sampling rate of 80GSa/s.
- 3 Configure the DUT to transmit the PRBS15 test pattern at the required bit rate, with SSC modulation disabled.
- 4 Verify that the DUT is sourcing valid SAS signals at the expected rate.
- 5 Capture one acquisition of the DUT's single-ended transmitted data signal.
- 6 Using post-processing technique, compute the spectrum of the common mode signal, expressed in dBmV, with an effective resolution bandwidth of 1MHz.
- 7 Measure and record the minimum margin between the common mode spectrum and the limit line in dBmV.

Expected/Observable Results

The measured values of the common mode spectral characteristics of the DUT's transmitter device must be below the maximum allowed limits.

TX Common Mode Voltage

Test Overview

The purpose of the TX Common Mode Voltage test is to verify that the common mode voltage of the DUT's transmitter device is within the conformance limits.

For conformance, TX Common Mode Voltage Limit should be greater than or equal to -100 mV and less than or equal to 1.200 V.

Test Availability

This test is not dependent on any settings under the Set Up tab. Hence, this test is available for all the values under the Set Up tab.

Test Id for this test is 21221.

References

See Section 5.8.4.8.1, Table 61 of the Serial Attached SCSI-4 (SAS-4) Specification Revision 09.

Test Procedure

- 1 Connect the Zero-Length test load to the DUT transmitter device.
- 2 Configure the Infiniium oscilloscope to capture at least 100 μ s of signals at a minimum sampling rate of 80GSa/s.
- 3 Configure the DUT to transmit the PRBS15 test pattern at the required bit rate, with SSC modulation disabled.
- 4 Verify that the DUT is sourcing valid SAS signaling at the expected rate.
- 5 Capture one acquisition of the DUT's single-ended transmitted data signal.
- 6 Using post-processing technique, compute the common-mode signal.
- 7 Measure and record the average value of the common-mode signal.

Expected/Observable Results

The measured values of the common mode signal parameters of the DUT's transmitter device must be within the conformance limits.

TX V_{pp} , IT (TX Peak-to-Peak Voltage, IT)

Test Overview

The purpose of this test is to verify that the peak-to-peak output voltage (V_{pp}) of the DUT's transmitter device is less than the maximum allowed value.

For conformance, TX Peak-to-Peak Voltage should be less than or equal to 1.200 V.

Test Availability

This test is not dependent on any settings under the Set Up tab. Hence, this test is available for all the values under the Set Up tab.

Test Id for this test is 20421.

References

See Section 5.8.4.8.1, Table 61 of the Serial Attached SCSI-4 (SAS-4) Specification Revision 09.

Test Procedure

- 1 Connect the Zero-Length test load to the DUT transmitter device.
- 2 Configure the Infiniium oscilloscope to capture at least 100 μ s of signals at a minimum sampling rate of 80GSa/s.
- 3 Configure the DUT to transmit the D30.3 test pattern at the required bit rate, with SSC modulation disabled.
- 4 Verify that the DUT is sourcing valid SAS signals at the expected rate.
- 5 If the count for acquisition averaging from the *Average Count (TX V_{pp} , VMA, EQ)* configuration variable is greater than 1, set up the Pulse Width Trigger for bit rate less than 22.5 Gbps or InfiniiScan Trigger for 22.5 Gbps with Acquisition Averaging enabled.
- 6 Capture one acquisition of the DUT's differential transmitted data signal.
- 7 Calculate the absolute max peak to peak value of the differential signal.

Expected/Observable Results

The measured value of the peak-to-peak output voltage (V_{pp}) of the DUT's transmitter device must be less than the maximum allowed value.

TX Total Jitter

Test Overview

This test verifies that the transmit jitter of the DUT transmitter device is within the conformance limits.
For conformance, TX Total Jitter (TJ) must be greater than or equal to 0.00000 UI and less than or equal to 280.00 mUI.

Test Availability

This test sub-group is not dependent on any settings under the Set Up tab. Hence, this test is available for all the values under the Set Up tab.
Test Id for the TX Total Jitter (TJ) test is 20821.
Test Id for the TX Total Jitter (TJ) (SAS-SAS Down Spreading) test is 20822.
Test Id for the TX Total Jitter (TJ) (SAS-SAS Center Spreading) test is 20823.

References

See Section 5.8.4.8.1, Table 61 of the Serial Attached SCSI-4 (SAS-4) Specification Revision 09.

Test Procedure

- 1 Connect the Zero-Length test load to the DUT transmitter device.
- 2 Configure the Infiniium oscilloscope to capture at least 250µs of signals at a minimum sampling rate of 80GSa/s.
- 3 Configure the oscilloscope to use the JTF that meets the requirements.
- 4 Configure the DUT to transmit the PRBS15 test pattern at the required bit rate, with SSC modulation disabled /enabled (depends on test).
- 5 Verify that the DUT is sourcing valid SAS signals at the expected rate.
- 6 Capture one acquisition of the DUT's differential transmitted data signal.
- 7 Using Jitter/Noise tool (EZJIT Complete), perform the jitter decomposition on the differential signal.
- 8 Record the Total Jitter (TJ) of the differential signal.

Expected/Observable Results

The measured value of the jitter of the DUT transmitter device must be within the conformance limits.

TX Uncorrelated Unbounded Gaussian Jitter

Test Overview

TX Uncorrelated Unbounded Gaussian Jitter (T_UUGJ) - This test verifies that the transmit uncorrelated unbounded gaussian jitter of the DUT transmitter device is within the conformance limits.

For conformance, TX Uncorrelated Unbounded Gaussian Jitter should be greater than or equal to 0.00000 UI and less than or equal to 150.00 mUI.

Test Availability

This test sub-group is not dependent on any settings under the Set Up tab. Hence, this test is available for all the values under the Set Up tab.

Test Id for this test is 21321.

References

See Section 5.8.4.8.1, Table 61 of the Serial Attached SCSI-4 (SAS-4) Specification Revision 09.

Test Procedure

- 1 Connect the Zero-Length test load to the DUT transmitter device.
- 2 Configure the Infiniium oscilloscope to capture at least 250 μ s of signals at a minimum sampling rate of 80GSa/s.
- 3 Configure the oscilloscope to use the JTF that meets the requirements.
- 4 Configure the DUT to transmit the PRBS15 test pattern at the required bit rate, with SSC modulation disabled.
- 5 Verify that the DUT is sourcing valid SAS signals at the expected rate.
- 6 Capture one acquisition of the DUT's differential transmitted data signal.
- 7 Using Jitter/Noise tool (EZJIT Complete), perform the jitter decomposition on the differential signal.
- 8 Calculate and record the Uncorrelated Unbounded Gaussian Jitter (UUGJ) of the differential signal based on following equation:

$$UUGJ = 14 * RJ(rms)$$

Expected/Observable Results

The measured value of the jitter of the DUT transmitter device must be within the conformance limits.

TX Uncorrelated Bounded High Probability Jitter

Test Overview

TX Uncorrelated Bounded High Probability Jitter (T_UBHPJ) - This test verifies that the transmit uncorrelated bounded high probability jitter of the DUT transmitter device is within the conformance limits.

For conformance, TX Uncorrelated Bounded High Probability Jitter (T_UBHPJ) must be greater than or equal to 0.00000 UI and less than or equal to 150.00 mUI.

Test Availability

This test sub-group is not dependent on any settings under the Set Up tab. Hence, this test is available for all the values under the Set Up tab.

Test Id for this test is 21421.

References

See Section 5.8.4.8.1, Table 61 of the Serial Attached SCSI-4 (SAS-4) Specification Revision 09.

Test Procedure

- 1 Connect the Zero-Length test load to the DUT transmitter device.
- 2 Configure the Infiniium oscilloscope to capture at least 250 μ s of signals at a minimum sampling rate of 80GSa/s.
- 3 Configure the oscilloscope to use the JTF that meets the requirements.
- 4 Configure the DUT to transmit the PRBS9 test pattern at the required bit rate, with SSC modulation disabled.
- 5 Verify that the DUT is sourcing valid SAS signals at the expected rate.
- 6 Capture one acquisition of the DUT's differential transmitted data signal.
- 7 Using Jitter/Noise tool (EZJIT Complete), perform the jitter decomposition on the differential signal.
- 8 Calculate and record the Uncorrelated Bounded High Probability Jitter (UBHPJ) of the differential signal based on following equation:

$$UBHPJ = 2 * \sqrt{2} * PJ_{rms} + DCD$$

Expected/Observable Results

The measured value of the jitter of the DUT transmitter device must be within the conformance limits.

TX Duty Cycle Distortion

Test Overview

The purpose of this test sub-group is to verify that the jitter of the DUT transmitter device is less than the maximum allowed limit. The following tests are covered in this test sub-group:

- TX Duty Cycle Distortion (T_DCD) (No Equalization) - This test verifies that the transmit duty cycle distortion of the DUT transmitter device with no equalization is within the conformance limits. For conformance, TX Duty Cycle Distortion (T_DCD) (No Equalization) must be greater than or equal to 0.00000 UI and less than or equal to 35.00 mUI.
- TX Duty Cycle Distortion (T_DCD) (With Equalization) - This test verifies that the transmit duty cycle distortion of the DUT transmitter device with equalization is within the conformance limits. For conformance, TX Duty Cycle Distortion (T_DCD) (With Equalization) should be greater than or equal to 0.00000 UI and less than or equal to 35.00 mUI.

Test Availability

This test sub-group is not dependent on any settings under the Set Up tab. Hence, this test is available for all the values under the Set Up tab.

- Test Id for the TX Duty Cycle Distortion (T_DCD) (No Equalization) test is 21521.
- Test Id for the TX Duty Cycle Distortion (T_DCD) (With Equalization) test is 21522.

References

See Section 5.8.4.8.1, Table 61 of the Serial Attached SCSI-4 (SAS-4) Specification Revision 09.

Test Procedure

- 1 Connect the Zero-Length test load to the DUT transmitter device.
- 2 Configure the Infiniium oscilloscope to capture at least 250 μ s of signals at a minimum sampling rate of 80GSa/s.
- 3 Configure the oscilloscope to use the JTF that meets the requirements.
- 4 Configure the DUT to transmit the 1010 pattern at the required bit rate, with no equalization/with equalization (depends on test) and SSC modulation disabled.
- 5 Verify that the DUT is sourcing valid SAS signals at the expected rate.
- 6 Capture one acquisition of the DUT's differential transmitted data signal.
- 7 Using Jitter/Noise tool (EZJIT Complete), perform the jitter decomposition on the differential signal.
- 8 Record the Duty Cycle Distortion (DCD) of the differential signal.

Expected/Observable Results

The measured value of the jitter of the DUT transmitter device must be within the conformance limits.

7 Coefficient Requests and Circuit Response Requirements Tests

Connection for Coefficient Requests and Circuit Response Requirements Tests / 68
TX Coefficient Requests and Circuit Response / 69
TX Vpp, ET (TX Peak-to-Peak Voltage, ET) / 70
TX No Equalization Coefficient Preset / 71
TX Reference 1 Coefficient Preset / 72
TX Reference 2 Coefficient Preset / 73

This section provides the Methods of Implementation (MOIs) for the Coefficient Requests and Circuit Response Requirements tests using a Keysight Infiniium oscilloscope and the SAS-4 Compliance Test Application.

Connection for Coefficient Requests and Circuit Response Requirements Tests

When performing the Coefficient Requests and Circuit Response Requirements tests, the SAS-4 Compliance Test Application will prompt you to make the proper connections. The connections for these tests depend on the **Bit Rate** and **Test Pattern Source** selected under the Set Up tab. Refer to the **Connect** tab in the SAS-4 Compliance Test Application for the exact connections. Additionally, refer to [“Making Hardware Connections for SAS-4 Compliance Testing”](#) on page 27.

You can configure other settings used in these tests in the **Configure** tab of the SAS-4 Compliance Test Application.

Test Procedure

- 1 Start the automated test application as described in [“Starting the SAS-4 Compliance Test Application”](#) on page 21.
- 2 In the SAS-4 Compliance Test Application, click the **Set Up** tab.
- 3 Select the **Bit Rate** as **22.5** and in the **Device Under Test (DUT)** section.
- 4 Click the **Select Tests** tab and check the tests you want to run. Check the parent node or group to check all the available tests within the group.

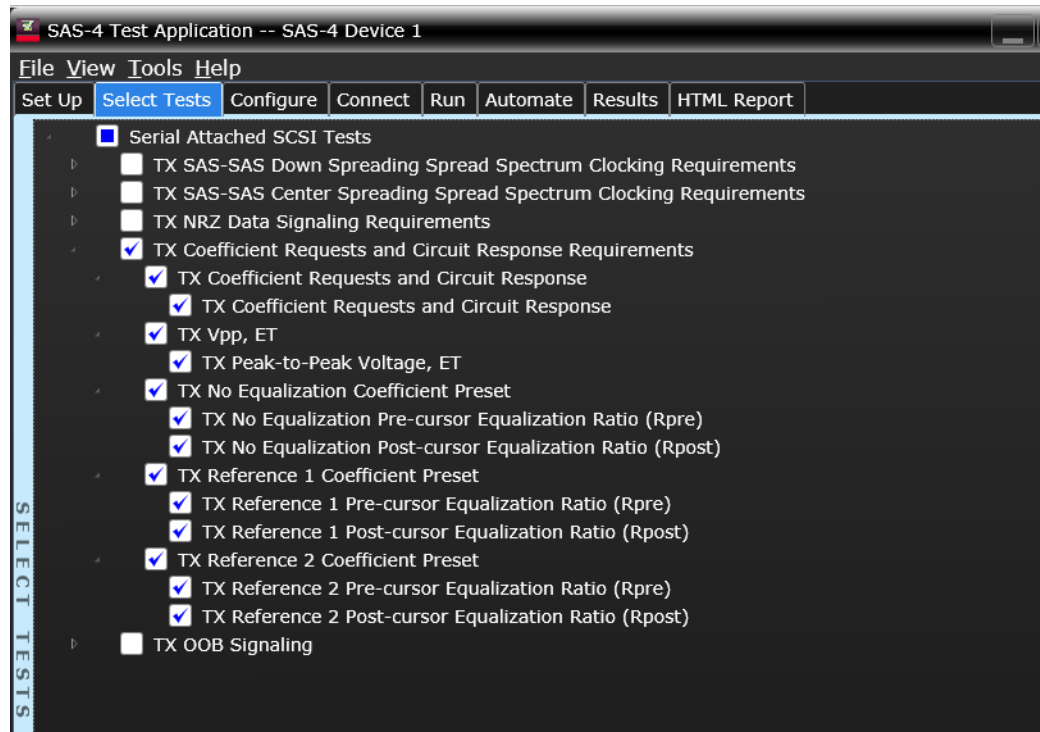


Figure 32 Selecting TX Coefficient Requests and Circuit Response Requirements Tests for Burst Mode

- 5 Follow the SAS-4 Compliance Test Application’s task flow to set up the configuration options, run the tests, and view the tests results.

TX Coefficient Requests and Circuit Response

Test Overview

The purpose of this test is to verify that the transmitter circuit response for the corresponding coefficient requests is within the conformance limits.

Test Availability

For 22.5 Gbps bit rate, this test is not dependent on any other settings under the Set Up tab.

References

See Section 5.8.4.7.2, Table 55 of the Serial Attached SCSI-4 (SAS-4) Specification Revision 09.
Test Id for this test is 40111.

Test Procedure

- 1 Connect the Zero-Length test load to the DUT transmitter device.
- 2 Configure the Infiniium oscilloscope to capture samples of a minimum sampling rate of 80GSa/s.
- 3 Configure the DUT to transmit the long random pattern (i.e. IDLE dwords, PRBS15, etc) at the required bit rate, with no equalization and SSC modulation disabled.
- 4 Verify that the DUT is sourcing valid SAS signals at the expected rate.
- 5 Capture and export between 20,000 UI to 40,000 UI of waveform data.
- 6 Configure the DUT to transmit the long random pattern (i.e., IDLE dwords, PRBS15, etc) at the required bit rate, with default equalization (either no equalization, reference 1 equalization or reference 2 equalization) and SSC modulation disabled.
- 7 Verify that the DUT is sourcing valid SAS signals at the expected rate.
- 8 Capture and export between 20,000 UI to 40,000 UI of waveform data.
- 9 Prompt user for the Tx coefficient requests to be tested.
 - a Configure the DUT to transmit the long random pattern (i.e. IDLE dwords, PRBS15, etc) at the required bit rate, with selected Tx coefficient request and SSC modulation disabled.
 - b Verify that the DUT is sourcing valid SAS signals at the expected rate.
 - c Capture and export between 20,000 UI to 40,000 UI of waveform data.
- 10 Repeat Step 9 with as many Tx coefficient request as the user wants to be tested.
- 11 Post-process the waveform data using the SAS3_EYEOPENING MATLAB script.
- 12 Once the script has finished, record the result from the output of the script.
- 13 Verify the measured VHL Delta, V1 Delta, V2 Delta and V3 Delta with the corresponding transmitter circuit response limit in Table 55 of the SAS-4 specification.

Expected/Observable Results

The measured value of the transmitter circuit response for the corresponding coefficient requests must be within the conformance limit.

TX Vpp, ET (TX Peak-to-Peak Voltage, ET)

Test Overview

The purpose of this test is to verify that the peak-to-peak output voltage (Vpp) of the DUT's transmitter device at test point ET is greater than the minimum allowed value.

For conformance, TX Peak-to-Peak Voltage, ET must be greater than or equal to 850 mV.

Test Availability

For 22.5 Gbps bit rate, this test is not dependent on any other settings under the Set Up tab.

Test Id for the TX Peak-to-Peak Voltage, ET test is 40421.

Test Id for the TX Peak-to-Peak Voltage, ET (with .tf4 file) test is 40422.

References

See Section 5.8.4.8.1, Table 61 of the Serial Attached SCSI-4 (SAS-4) Specification Revision 09.

Test Procedure

If SAS 3 Eye Opening Script is selected for Tx Vpp, ET Test Method

- 1 Connect the Zero-Length test load to the DUT transmitter device.
- 2 Configure the Infiniium oscilloscope to capture samples of a minimum sampling rate of 80GSa/s.
- 3 Configure the DUT to transmit the long random pattern (i.e. IDLE dwords, PRBS15, etc) at the required bit rate, with no equalization and SSC modulation disabled.
- 4 Verify that the DUT is sourcing valid SAS signals at the expected rate.
- 5 Capture and export between 20,000 UI to 40,000 UI of waveform data.
- 6 Post-process the waveform data using the SAS3_EYEOPENING MATLAB script.
- 7 Once the script has finished, record the result from the output of the script.

If De_embedding File is selected for Tx Vpp, ET Test Method

- 1 Connect the Zero-Length test load to the DUT transmitter device.
- 2 Configure the Infiniium oscilloscope to capture at least 100µs of signals at a minimum sampling rate of 80GSa/s.
- 3 Configure the DUT to transmit the D30.3 test pattern at the required bit rate with SSC modulation disabled.
- 4 Verify that the DUT is sourcing valid SAS signals at the expected rate.
- 5 De-embed the transfer file specified by the *Tx Transfer File (TX Vpp)* configuration variable in the Configure tab on the DUT's differential transmitted data signal.
- 6 If the count for acquisition averaging from the *Average Count (TX Vpp, VMA, EQ)* configuration variable is greater than 1, set up the Pulse Width Trigger for bit rate less than 22.5 Gbps or InfiniiScan Trigger for 22.5 Gbps with Acquisition Averaging enabled.
- 7 Capture one acquisition of the DUT's differential transmitted data signal after de-embedding.
- 8 Calculate the absolute max peak to peak value of the differential signal after de-embedding.

Expected/Observable Results

The measured value of the peak-to-peak output voltage (Vpp) of the DUT's transmitter device at test point ET must be greater than the minimum allowed value.

TX No Equalization Coefficient Preset

Test Overview

The purpose of this test sub-group is to verify that the output voltage parameters of the DUT transmitter device with no equalization are within the conformance limits. This test sub-group comprises the following tests:

- TX No Equalization Pre-cursor Equalization Ratio (Rpre) – This test verifies that the pre-cursor equalization ratio (Rpre) of the DUT's transmitter device with no equalization is within the conformance limits.
For conformance, TX No Equalization Rpre should be greater than or equal to 840 mV/V and less than or equal to 1.19 V/V.
- TX No Equalization Post-cursor Equalization Ratio (Rpost) – This test verifies that the post-cursor equalization ratio (Rpost) of the DUT's transmitter device with no equalization is within the conformance limits.
For conformance, TX No Equalization Rpost must be greater than or equal to 840 mV/V and less than or equal to 1.19 V/V.

Test Availability

For 22.5 Gbps bit rate, this test is not dependent on any other settings under the Set Up tab.

- Test ID for TX No Equalization Pre-cursor Equalization Ratio (Rpre) test is 40512.
- Test ID for TX No Equalization Post-cursor Equalization Ratio (Rpost) test is 40513.

References

See Section 5.8.4.7.2, Table 56 of the Serial Attached SCSI-4 (SAS-4) Specification Revision 09.

Test Procedure

- 1 Connect the Zero-Length test load to the DUT transmitter device.
- 2 Configure the Infiniium oscilloscope to capture samples of a minimum sampling rate of 80GSa/s.
- 3 Configure the DUT to transmit the long random pattern (i.e. IDLE dwords, PRBS15, etc) at the required bit rate, with no equalization and SSC modulation disabled.
- 4 Verify that the DUT is sourcing valid SAS signals at the expected rate.
- 5 Capture and export between 20,000 UI to 40,000 UI of waveform data.
- 6 Post-process the waveform data using the SAS3_EYEOPENING MATLAB script.
- 7 Once the script has finished, record the result from the output of the script.
- 8 Calculate Rpre for no equalization using the following equation:

$$R_{pre}(\text{no equalization}) = V3(\text{no equalization})/V2(\text{no equalization})$$
- 9 Calculate Rpost for no equalization using the following equation:

$$R_{post}(\text{no equalization}) = V1(\text{no equalization})/V2(\text{no equalization})$$

Expected/Observable Results

The measured values of the output voltage parameters of the DUT transmitter device with no equalization must be within the conformance limits.

TX Reference 1 Coefficient Preset

Test Overview

The purpose of this test sub-group is to verify that the output voltage parameters of the DUT transmitter device with Reference 1 coefficient preset are within the conformance limits. This test sub-group comprises the following tests:

- TX Reference 1 Pre-cursor Equalization Ratio (Rpre) – This test verifies that the pre-cursor equalization ratio (Rpre) of the DUT's transmitter device with coefficient set to Reference 1 is within the conformance limits.
For conformance, TX Reference 1 Rpre must be greater than or equal to 2.10 V/V and less than or equal to 2.97 V/V.
- TX Reference 1 Post-cursor Equalization Ratio (Rpost) – This test verifies that the post-cursor equalization ratio (Rpost) of the DUT's transmitter device with coefficient set to Reference 1 is within the conformance limits.
For conformance, TX Reference 1 Rpost must be greater than or equal to 2.94 V/V and less than or equal to 4.16 V/V.

Test Availability

For 22.5 Gbps bit rate, this test is not dependent on any other settings under the Set Up tab.

- Test ID for TX Reference 1 Pre-cursor Equalization Ratio (Rpre) test is 40612.
- Test ID for TX Reference 1 Post-cursor Equalization Ratio (Rpost) test is 40613.

References

See Section 5.8.4.7.2, Table 56 of the Serial Attached SCSI-4 (SAS-4) Specification Revision 09.

Test Procedure

- 1 Connect the Zero-Length test load to the DUT transmitter device.
- 2 Configure the Infiniium oscilloscope to capture samples of a minimum sampling rate of 80GSa/s.
- 3 Configure the DUT to transmit the long random pattern (i.e. IDLE dwords, PRBS15, etc) at the required bit rate, with no equalization and SSC modulation disabled.
- 4 Verify that the DUT is sourcing valid SAS signals at the expected rate.
- 5 Capture and export between 20,000 UI to 40,000 UI of waveform data.
- 6 Configure the DUT to transmit the long random pattern (i.e. IDLE dwords, PRBS15, etc) at the required bit rate, with reference 1 equalization and SSC modulation disabled.
- 7 Verify that the DUT is sourcing valid SAS signals at the expected rate.
- 8 Capture and export between 20,000 UI to 40,000 UI of waveform data.
- 9 Post-process the waveform data using the SAS3_EYEOPENING MATLAB script.
- 10 Once the script has finished, record the result from the output of the script.
- 11 Calculate Rpre for reference 1 equalization using the following equation:

$$R_{pre}(\text{reference } 1) = V3(\text{reference } 1)/V2(\text{reference } 1)$$
- 12 Calculate Rpost for no equalization using the following equation:

$$R_{post}(\text{reference } 1) = V1(\text{reference } 1)/V2(\text{reference } 1)$$

Expected/Observable Results

The measured values of the output voltage parameters of the DUT transmitter device with Reference 1 coefficient preset must be within the conformance limits.

TX Reference 2 Coefficient Preset

Test Overview

The purpose of this test sub-group is to verify that the output voltage parameters of the DUT transmitter device with Reference 2 coefficient preset are within the conformance limits. This test sub-group comprises the following tests:

- TX Reference 2 Pre-cursor Equalization Ratio (Rpre) – This test verifies that the pre-cursor equalization ratio (Rpre) of the DUT's transmitter device with coefficient set to Reference 2 is within the conformance limits.
For conformance, TX Reference 2 Rpre must be greater than or equal to 1.05 V/V and less than or equal to 1.49 V/V.
- TX Reference 2 Post-cursor Equalization Ratio (Rpost) – This test verifies that the post-cursor equalization ratio (Rpost) of the DUT's transmitter device with coefficient set to Reference 2 is within the conformance limits.
For conformance, TX Reference 2 Rpost must be greater than or equal to 1.19 V/V and less than or equal to 1.68 V/V.

Test Availability

For 22.5 Gbps bit rate, this test is not dependent on any other settings under the Set Up tab.

- Test ID for TX Reference 2 Pre-cursor Equalization Ratio (Rpre) test is 40712.
- Test ID for TX Reference 2 Post-cursor Equalization Ratio (Rpost) test is 40713.

References

See Section 5.8.4.7.2, Table 56 of the Serial Attached SCSI-4 (SAS-4) Specification Revision 09.

Test Procedure

- 1 Connect the Zero-Length test load to the DUT transmitter device.
- 2 Configure the Infiniium oscilloscope to capture samples of a minimum sampling rate of 80GSa/s.
- 3 Configure the DUT to transmit the long random pattern (i.e. IDLE dwords, PRBS15, etc) at the required bit rate, with no equalization and SSC modulation disabled.
- 4 Verify that the DUT is sourcing valid SAS signals at the expected rate.
- 5 Capture and export between 20,000 UI to 40,000 UI of waveform data.
- 6 Configure the DUT to transmit the long random pattern (i.e. IDLE dwords, PRBS15, etc) at the required bit rate, with reference 2 equalization and SSC modulation disabled.
- 7 Verify that the DUT is sourcing valid SAS signals at the expected rate.
- 8 Capture and export between 20,000 UI to 40,000 UI of waveform data.
- 9 Post-process the waveform data using the SAS3_EYEOPENING MATLAB script.
- 10 Once the script has finished, record the result from the output of the script.
- 11 Calculate Rpre for reference 2 equalization using the following equation:

$$R_{pre}(\text{reference } 2) = V3(\text{reference } 2)/V2(\text{reference } 2)$$
- 12 Calculate Rpost for no equalization using the following equation:

$$R_{post}(\text{reference } 2) = V1(\text{reference } 2)/V2(\text{reference } 2)$$

Expected/Observable Results

The measured values of the output voltage parameters of the DUT transmitter device with Reference 2 coefficient preset must be within the conformance limits.

8 OOB Signaling Tests

Connection for OOB Signaling Tests /	76
TX Maximum Noise During OOB Idle /	78
TX OOB Burst Amplitude Vpp /	79
TX OOB Burst Amplitude Minimum (Zero-Length Test Load) /	80
TX OOB Burst Amplitude Minimum (TCTF Test Load) /	81
TX OOB Offset Delta /	82
TX OOB Common Mode Delta /	83
RECEIVE COMINIT Idle Time /	84
RECEIVE COMSAS Idle Time /	85
RECEIVE COMWAKE Idle Time /	86

This section provides the Methods of Implementation (MOIs) for OOB Signaling tests using Keysight Infiniium Oscilloscope and the SAS-4 Compliance Test Application.

Connection for OOB Signaling Tests

When performing the OOB Signaling tests, the SAS-4 Compliance Test Application will prompt you to make the proper connections. The connections for these tests depend on the **Bit Rate** and **Test Pattern Source** selected under the Set Up tab. Refer to the **Connect** tab in the SAS-4 Compliance Test Application for the exact connections. Additionally, refer to ["Making Hardware Connections for SAS-4 Compliance Testing"](#) on page 27.

You can configure other settings used in these tests in the **Configure** tab of the SAS-4 Compliance Test Application.

Test Procedure

- 1 Start the automated test application as described in ["Starting the SAS-4 Compliance Test Application"](#) on page 21.
- 2 In the SAS-4 Compliance Test Application, click the **Set Up** tab.
- 3 Select the **Bit Rate** as **22.5** and in the **Device Under Test (DUT)** section.
- 4 Click the **Select Tests** tab and check the tests you want to run. Check the parent node or group to check all the available tests within the group.

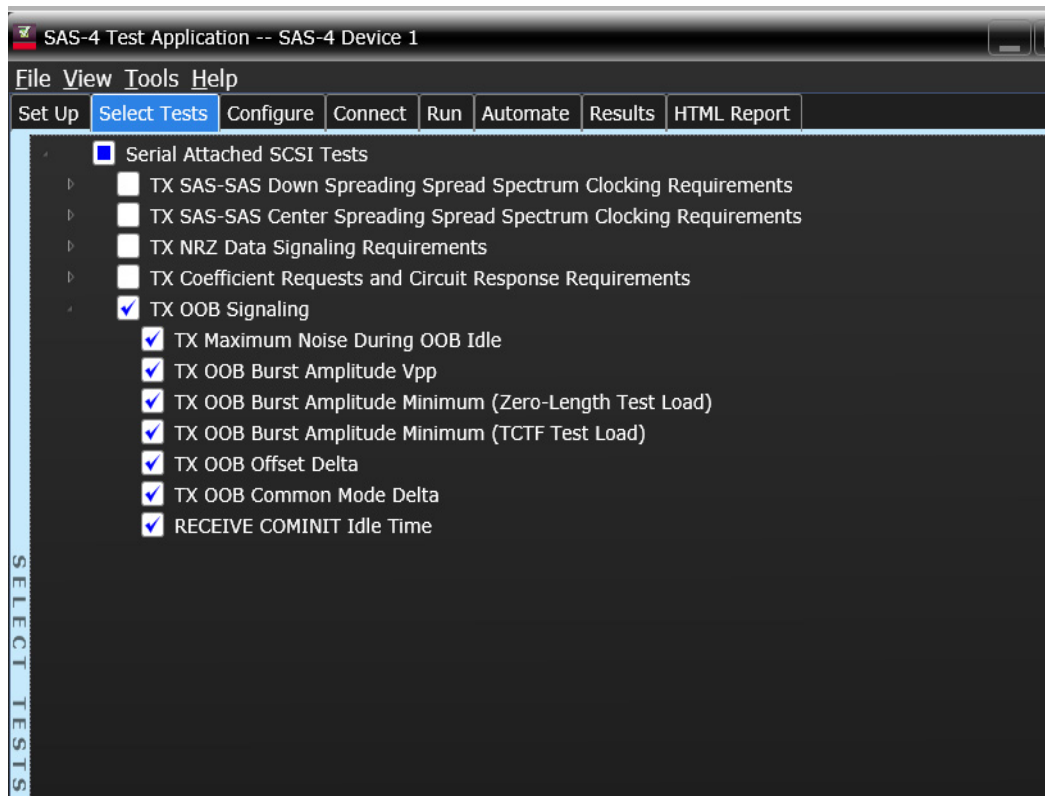


Figure 33 Selecting OOB Signaling Tests

- 5 Follow the SAS-4 Compliance Test Application's task flow to set up the configuration options, run the tests, and view the tests results.

NOTE

When using M8040A as the test pattern source, ensure that the deskew value of M8045A between Channel 1 and Channel 2 is measured and set using the **Deskew Value (ps) (Data Rate 1.5Gbps)** configuration variable in the Configure tab.

TX Maximum Noise During OOB Idle

Test Overview

The purpose of this test is to verify that the peak noise during OOB idle of the DUT transmitter is within the conformance limit.

For conformance, TX Maximum Noise During OOB Idle should be greater than or equal to 0.000 V and less than or equal to 120 mV.

Test Availability

This test is not dependent on any settings under the Set Up tab. Hence, this test is available for all the values under the Set Up tab. This test, however, is not available when running Infiniium Offline.

Test id for this test is 30101.

References

See Section 5.8.1, Table 42 of the Serial Attached SCSI-4 (SAS-4) Specification Revision 09.

Test Procedure

- 1 Connect the Zero-Length test load to the DUT transmitter device.
- 2 Configure the Infiniium oscilloscope to capture samples of a minimum sampling rate of 40GSa/s.
- 3 Configure the DUT to source valid OOB signals.
- 4 Capture one acquisition of DUT's COMINIT/COMRESET OOB differential signal.
- 5 Using post-processing techniques, identify the location of the burst and idle of the OOB differential signal.
- 6 Measure and record the maximum peak-to-peak differential noise level observed during the idle time of the OOB differential signal.

Expected/Observable Results

The measured value of the peak noise during OOB idle of the DUT transmitter must be within the conformance limit.

TX OOB Burst Amplitude Vpp

Test Overview

The purpose of this test is to verify that the maximum peak to peak voltage of the DUT transmitter OOB bursts is within the conformance limits.

For conformance, TX OOB Burst Amplitude Vpp should be less than or equal to 1.200 V.

Test Availability

This test is not dependent on any settings under the Set Up tab. Hence, this test is available for all the values under the Set Up tab. This test, however, is not available when running Infiniium Offline.

Test id for this test is 30201.

References

See Section 5.8.4.9, Table 66 of the Serial Attached SCSI-4 (SAS-4) Specification Revision 09.

Test Procedure

- 1 Connect the Zero-Length test load to the DUT transmitter device.
- 2 Configure the Infiniium oscilloscope to capture samples of a minimum sampling rate of 40GSa/s.
- 3 Configure the DUT to source valid OOB signals.
- 4 Capture one acquisition of DUT's COMINIT/COMRESET OOB differential signal.
- 5 Using post-processing techniques, identify the location of the burst and idle of the OOB differential signal.
- 6 Calculate the maximum peak-to-peak differential voltage during the burst time of the OOB differential signal.

Expected/Observable Results

The maximum peak to peak voltage of the DUT transmitter OOB bursts must be within the conformance limits.

TX OOB Burst Amplitude Minimum (Zero-Length Test Load)

Test Overview

The purpose of this test is to verify that the minimum amplitude of the DUT transmitter OOB bursts is within the conformance limit.

For conformance, TX OOB Burst Amplitude Minimum (Zero-Length Test Load) must be greater than or equal to 240 mV.

Test Availability

This test is not dependent on any settings under the Set Up tab. Hence, this test is available for all the values under the Set Up tab. This test, however, is not available when running Infiniium Offline.

Test id for this test is 30202.

References

See Section 5.8.4.9, Table 66 of the Serial Attached SCSI-4 (SAS-4) Specification Revision 09.

Test Procedure

- 1 Connect the Zero-Length test load to the DUT transmitter device.
- 2 Configure the Infiniium oscilloscope to capture samples of a minimum sampling rate of 40GSa/s.
- 3 Configure the DUT to source valid OOB signals.
- 4 Capture one acquisition of DUT's COMINIT/COMRESET OOB differential signal.
- 5 Using post-processing techniques, identify the location of the burst and idle of the OOB differential signal.
- 6 Calculate the minimum amplitude value during the burst time of the OOB differential signal.

Expected/Observable Results

The measured value of the minimum amplitude of the DUT transmitter OOB bursts must be within the conformance limit.

TX OOB Burst Amplitude Minimum (TCTF Test Load)

Test Overview

The purpose of this test is to verify that the minimum amplitude of the DUT transmitter OOB bursts is within the conformance limit.

For conformance, TX OOB Burst Amplitude Minimum (TCTF Test Load) should be greater than or equal to 240 mV.

Test Availability

This test is not dependent on any settings under the Set Up tab. Hence, this test is available for all the values under the Set Up tab. This test, however, is not available when running Infiniium Offline.

Test id for this test is 30203.

References

See Section 5.8.4.9, Table 66 of the Serial Attached SCSI-4 (SAS-4) Specification Revision 09.

Test Procedure

- 1 Connect the Zero-Length test load to the DUT transmitter device.
- 2 Configure the Infiniium oscilloscope to capture samples of a minimum sampling rate of 40GSa/s.
- 3 Configure the DUT to source valid OOB signals.
- 4 Embed the TCTF test load transfer function to the OOB differential signals.
- 5 Capture one acquisition of DUT's COMINIT/COMRESET OOB differential signal after embedding TCTF test load.
- 6 Using post-processing techniques, identify the location of the burst and idle of the OOB differential signal after embedding TCTF test load.
- 7 Calculate the minimum amplitude value during the burst time of the OOB differential signal after embedding TCTF test load.

Expected/Observable Results

The measured value of the minimum amplitude of the DUT transmitter OOB bursts must be within the conformance limit.

TX OOB Offset Delta

Test Overview

The purpose of this test is to verify that the OOB offset delta of the DUT transmitter device is within the conformance limit.

For conformance, TX OOB Offset Delta must be greater than or equal to -25 mV and less than or equal to 25 mV.

Test Availability

This test is not dependent on any settings under the Set Up tab. Hence, this test is available for all the values under the Set Up tab. This test, however, is not available when running Infiniium Offline.

Test id for this test is 30301.

References

See Section 5.8.4.9, Table 66 of the Serial Attached SCSI-4 (SAS-4) Specification Revision 09.

Test Procedure

- 1 Connect the Zero-Length test load to the DUT transmitter device.
- 2 Configure the Infiniium oscilloscope to capture samples of a minimum sampling rate of 40GSa/s.
- 3 Configure the DUT to source valid OOB signals.
- 4 Capture one acquisition of DUT's COMINIT/COMRESET OOB differential signal.
- 5 Using post-processing techniques, identify the location of the burst and idle of the OOB differential signal.
- 6 Calculate the maximum offset delta by measuring the average voltage during the burst time of the OOB differential signal.

Expected/Observable Results

The measured value of the OOB offset delta of the DUT transmitter device must be within the conformance limit.

TX OOB Common Mode Delta

Test Overview

The purpose of this test is to verify that the OOB common mode delta of the DUT transmitter device is within the conformance limit.

For conformance, TX OOB Common Mode Delta must be greater than or equal to -50 mV and less than or equal to 50 mV.

Test Availability

This test is not dependent on any settings under the Set Up tab. Hence, this test is available for all the values under the Set Up tab. This test, however, is not available when running Infiniium Offline.

Test id for this test is 30401.

References

See Section 5.8.4.9, Table 66 of the Serial Attached SCSI-4 (SAS-4) Specification Revision 09.

Test Procedure

- 1 Connect the Zero-Length test load to the DUT transmitter device.
- 2 Configure the Infiniium oscilloscope to capture samples of a minimum sampling rate of 40GSa/s.
- 3 Configure the DUT to source valid OOB signals.
- 4 Capture one acquisition of DUT's COMINIT/COMRESET OOB single-ended signal.
- 5 Using post-processing techniques, identify the location of the burst and idle of the OOB single-ended signal.
- 6 Compute the common-mode signal.
- 7 Calculate the maximum common mode delta by measuring the average voltage of the common-mode signal during the burst time of the OOB single-ended signal.

Expected/Observable Results

The measured value of the OOB common mode delta of the DUT transmitter device must be within the conformance limit.

RECEIVE COMINIT Idle Time

Test Overview

The purpose of this test is to verify that the DUT transmits the OOB signal COMINIT idle time within conformance limits.

For conformance, RECEIVE COMINIT Idle Time should be greater than or equal to 304.00 ns and less than or equal to 336.00 ns.

Test Availability

This test is not dependent on any settings under the Set Up tab. Hence, this test is available for all the values under the Set Up tab. This test, however, is not available when running Infiniium Offline.

Test id for this test is 31101.

References

See Section 5.11.3, Table 93 of the Serial Attached SCSI-4 (SAS-4) Specification Revision 09.

Test Procedure

- 1 Connect the Zero-Length test load to the DUT transmitter device.
- 2 Configure the Infiniium oscilloscope to capture samples of a minimum sampling rate of 40GSa/s.
- 3 Configure the DUT to source valid OOB signals.
- 4 Capture one acquisition of DUT's COMINIT/COMRESET OOB differential signal.
- 5 Using post-processing techniques, identify the location of the burst and idle of the OOB differential signal.
- 6 Compute and record the idle time between the burst of COMINIT/COMRESET OOB differential signal.

Expected/Observable Results

The DUT must transmit the OOB signal COMINIT idle time within the conformance limits.

RECEIVE COMSAS Idle Time

Test Overview

The purpose of this test is to verify that the DUT transmits the OOB signal COMSAS idle time within conformance limits.

For conformance, RECEIVE COMINIT Idle Time should be greater than or equal to 911.70 ns and less than or equal to 1008.00 ns.

Test Availability

This test is not dependent on any settings under the Set Up tab. Hence, this test is available for all the values under the Set Up tab. This test, however, is not available when running Infiniium Offline.

Test id for this test is 31201.

References

See Section 5.11.3, Table 93 of the Serial Attached SCSI-4 (SAS-4) Specification Revision 09.

Test Procedure

- 1 Connect the Zero-Length test load to the DUT transmitter device.
- 2 Configure the Infiniium oscilloscope to capture samples of a minimum sampling rate of 40GSa/s.
- 3 Configure the DUT to source valid OOB signals.
- 4 Capture one acquisition of DUT's COMSAS OOB differential signal.
- 5 Using post-processing techniques, identify the location of the burst and idle of the OOB differential signal.
- 6 Compute and record the idle time between the burst of COMSAS OOB differential signal.

Expected/Observable Results

The DUT must transmit the OOB signal COMSAS idle time within the conformance limits.

RECEIVE COMWAKE Idle Time

Test Overview

The purpose of this test is to verify that the DUT transmits the OOB signal COMIWAKE idle time within conformance limits.

For conformance, RECEIVE COMWAKE Idle Time should be greater than or equal to 101.30 ns and less than or equal to 112.00 ns.

Test Availability

This test is only available for Host. This test, however, is not available when running Infiniium Offline.

Test id for this test is 31301.

References

See Section 5.11.3, Table 93 of the Serial Attached SCSI-4 (SAS-4) Specification Revision 09.

Test Procedure

- 1 Connect the Zero-Length test load to the DUT transmitter device.
- 2 Configure the Infiniium oscilloscope to capture samples of a minimum sampling rate of 40GSa/s.
- 3 Configure the DUT to source valid OOB signals.
- 4 Capture one acquisition of DUT's COMWAKE OOB differential signal.
- 5 Using post-processing techniques, identify the location of the burst and idle of the OOB differential signal.
- 6 Compute and record the idle time between the burst of COMWAKE OOB differential signal.

Expected/Observable Results

The DUT must transmit the OOB signal COMWAKE idle time within the conformance limits.

9 Calibrating the Infiniium Oscilloscope

Required Equipment for Oscilloscope Calibration / 88
To Run the Self Calibration / 89
Channel-to-Channel De-skew / 94

This section describes the calibration procedures for Keysight Infiniium Oscilloscopes other than the UXR-series oscilloscopes. For the calibration information related to the UXR-series oscilloscopes, refer to *Keysight Infiniium UXR Real-Time Oscilloscopes User's Guide*.

Additionally, probe calibration and de-skew steps have been described in this section. To get more information, you can refer to the respective probes documentation.

Required Equipment for Oscilloscope Calibration

To calibrate the Infiniium oscilloscope in preparation for running the SAS-4 automated tests, you need the following equipment:

- Keyboard, qty = 1, (provided with the Keysight Infiniium oscilloscope).
- Mouse, qty = 1, (provided with the Keysight Infiniium oscilloscope).
- 9000, S-Series and 90000A series oscilloscope: Precision 3.5 mm BNC to SMA male adapter, Keysight p/n 54855-67604, qty = 2 (provided with the Keysight Infiniium oscilloscope).
- V, X and Z series oscilloscope: 3.5mm Female to Female adapter, Keysight p/n 5061-5311, qty = 2 (provided with Keysight Infiniium oscilloscope).
- Calibration cable (provided with the Keysight Infiniium oscilloscopes). Use a good quality 50 Ω BNC cable.

To Run the Self Calibration

NOTE

Let the Oscilloscope warm up before adjusting. Warm up the Oscilloscope for 30 minutes before starting calibration procedure. Failure to allow warm up may result in inaccurate calibration.

The self calibration uses signals generated in the Oscilloscope to calibrate Channel sensitivity, offsets, and trigger parameters. You should run the self calibration

- yearly or according to your periodic needs,
- when you replace the acquisition assembly or acquisition hybrids,
- when you replace the hard drive or any other assembly,
- when the oscilloscope's operating temperature (after the 30 minute warm-up period) is more than ± 5 °C different from that of the last calibration.

Internal or Self Calibration

NOTE

Calibration time: It takes approximately 1 hour to run the self calibration on the Oscilloscope, including the time required to change cables from Channel to Channel.

This will perform an internal diagnostic and calibration cycle for the oscilloscope. For the Keysight oscilloscope, this is referred to as Calibration. This Calibration will take about 20 minutes. Perform the following steps:

- 1 Set up the oscilloscope with the following steps:
 - a Connect the keyboard, mouse, and power cord to the rear of the oscilloscope.
 - b Plug in the power cord.
 - c Turn on the oscilloscope by pressing the power button located on the lower left of the front panel.
 - d Allow the oscilloscope to warm up at least 30 minutes prior to starting the calibration procedure in step 3 below.
- 2 Locate and prepare the accessories that will be required for the internal calibration:
 - a Locate the BNC shorting cap.
 - b Locate the calibration cable.
 - c Locate the two Keysight precision SMA/BNC or SMA female to female connector adapters.
 - d Attach one SMA adapter to the other end of the calibration cable – hand tighten snugly.
 - e Attach another SMA adapter to the other end of the calibration cable – hand tighten snugly.

3 From the Infiniium Oscilloscope's main menu, click **Utilities>Calibration...**

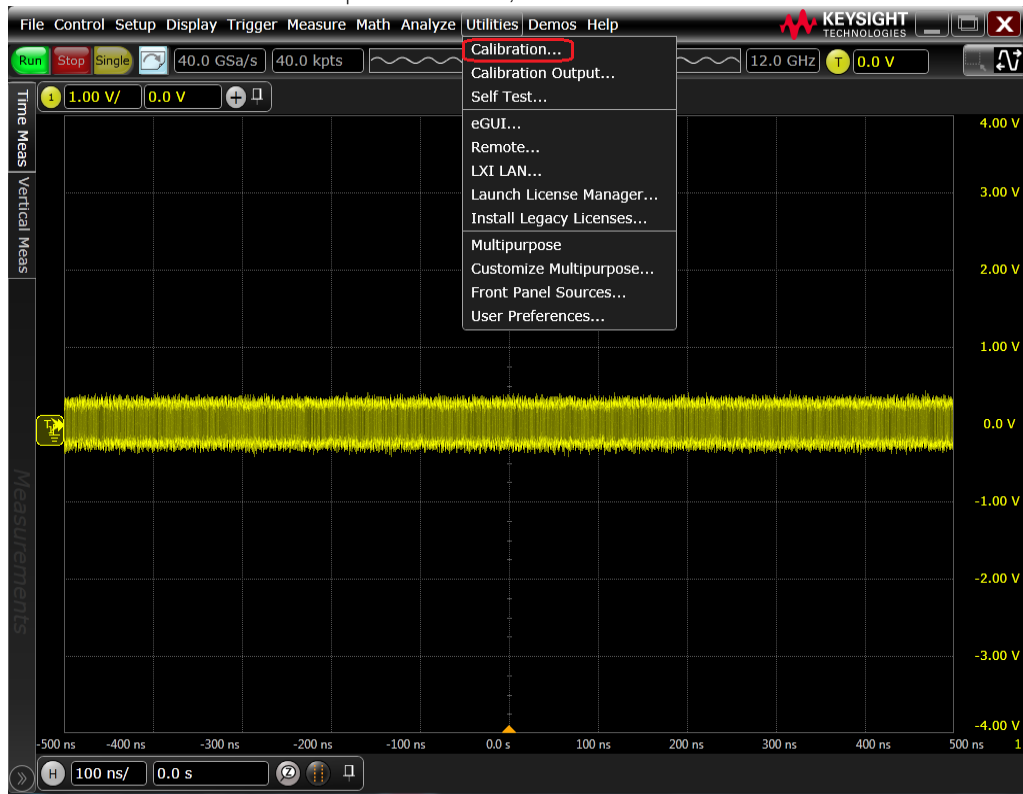


Figure 34 Accessing Calibration dialog on the Oscilloscope

The **Calibration** dialog appears.

- 4 To start the calibration process:
 - a Clear the **Cal Memory Protect** checkbox.

You cannot run self calibration if this box is checked. See [Figure 35](#).

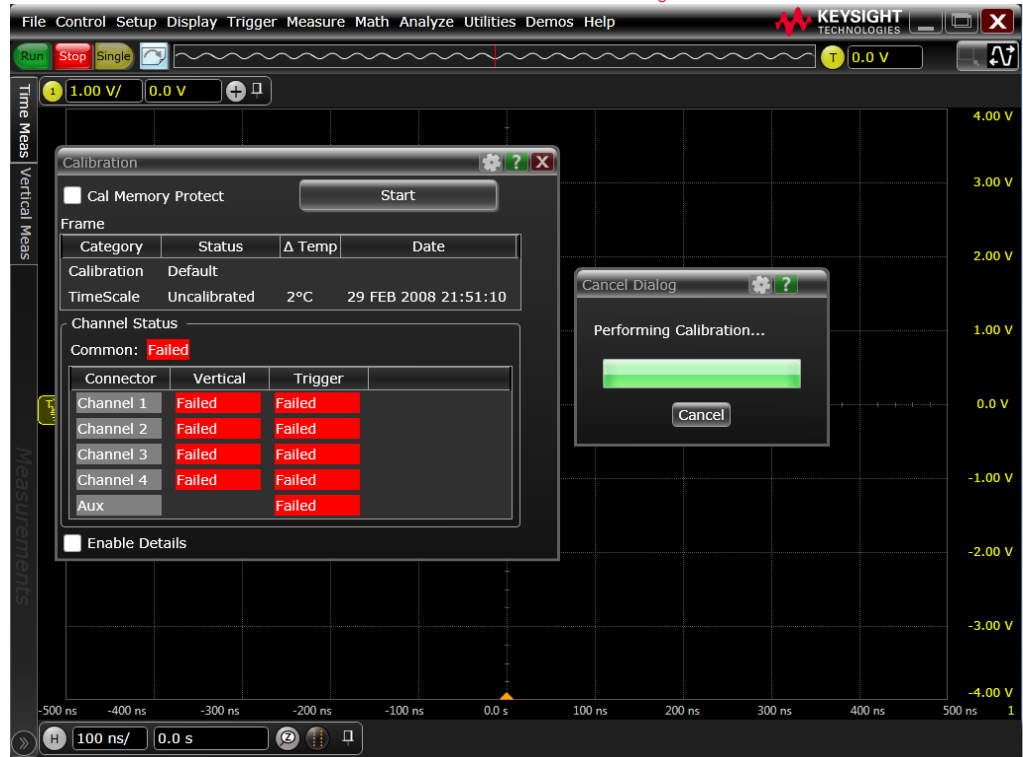


Figure 35 Clearing **Cal Memory Protect** and Starting Calibration

- b Click **Start** to begin calibration.
 - c Follow the on-screen instructions.

- d During the calibration of any Oscilloscope Channel, if the oscilloscope prompts you to perform a Time Scale Calibration, select **Standard Cal and Default Time Scale** in the **Calibration Options** dialog.

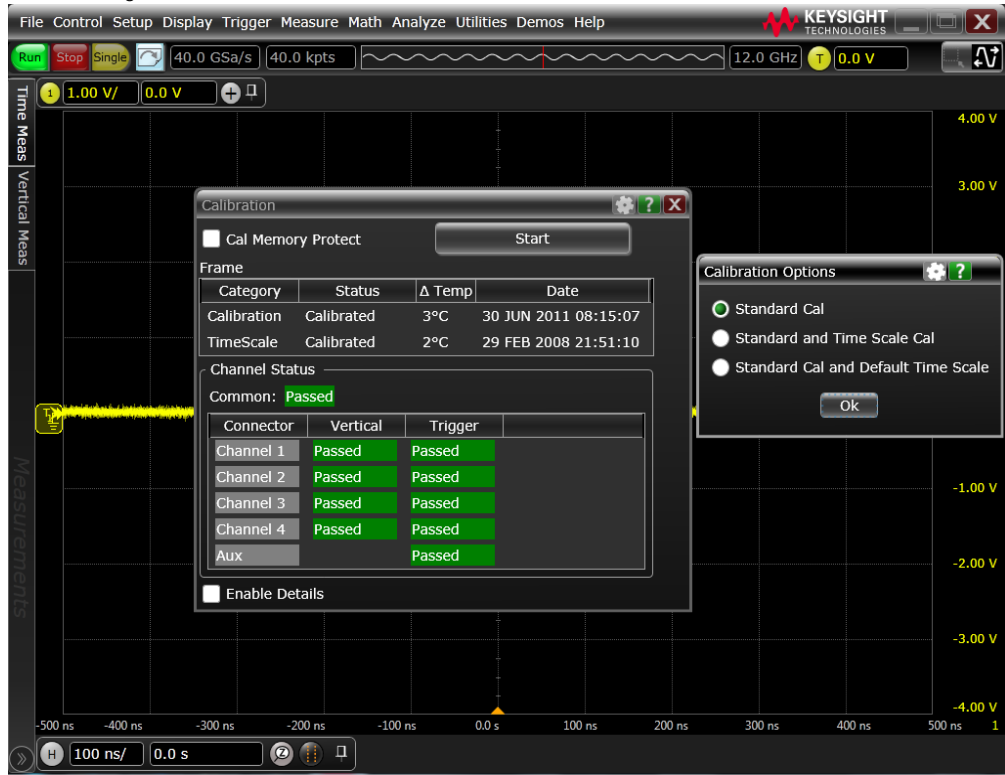


Figure 36 Selecting options from the **Calibration Options** dialog

The options under the **Calibration Options** dialog are:

- **Standard Calibration**—Oscilloscope does not perform time scale calibration and uses calibration factors from the previous time scale calibration and the reference signal is not required. The rest of the calibration procedure continues.
- **Standard and Time Scale Cal**—Oscilloscope performs time scale calibration. You must connect a reference signal to the Oscilloscope Channel, after ensuring that the reference signal meets the following specifications. Failure to meet these specifications result in an inaccurate calibration.
- **Standard Cal and Default Time Scale**—Oscilloscope uses the default time scale calibration factors and does not require the 10 MHz reference signal. The rest of the calibration procedure continues.

- e Disconnect everything from all inputs and Aux Out.
- f Connect the calibration cable from Aux Out to a specific Channel.
- g Connect the calibration cable from Aux Out to each of the Channel inputs as requested.
- h Connect the 50 Ω BNC or SMA cable from the Aux Out to the Aux Trig on the front panel of the Oscilloscope.
- i A Passed/Failed indication is displayed for each calibration section. If any section fails, check the calibration cables and run the Oscilloscope **Self Test...** in the **Utilities...** menu.
- j After the calibration procedure is completed, click **Close**.

NOTE

These steps do not need to be performed every time a test is run. However, if the ambient temperature changes more than 5 degrees Celsius from the calibration temperature, this calibration should be performed again. The delta between the calibration temperature and the present operating temperature is shown in the **Utilities > Calibration** menu.

Channel-to-Channel De-skew

NOTE

For Infiniium 90000 X-Series, S-Series, V-Series and Z-Series oscilloscopes, you must manually enable the Aux Output:

1. From the oscilloscope's main menu, choose **Utilities>Calibration Output...**
2. In the **Calibration Output** dialog, select the **Aux Out Enable** check box.

This procedure ensures that the timing skew errors between Channel 1 and Channel 3 are minimized. In addition to the required equipment, you need:

- SMA T-adapter
- Additional BNC to SMA male adapter (two precision 3.5 mm BNC to SMA male adapters are provided with the oscilloscope)

To perform the Channel-to-Channel de-skew:

1. Connect the Channel 1 and Channel 3 SMA cables to the oscilloscope's Aux Out:
 - a. Leave the RG-316 cables and SMA adapters on Channel 1 and Channel 3.
 - b. Install a BNC to SMA male adapter on the oscilloscope Aux Out.
 - c. Connect the middle branch of the SMA T-adapter to the SMA adapter on the Aux Out BNC.
 - d. Connect the far end of the cable from the Channel 1 SMA adapter, to one branch of the SMA T-adapter on the Aux Out.
 - e. Connect the far end of the cable from the Channel 3 SMA adapter, to the other branch of the SMA T-adapter on the Aux Out.

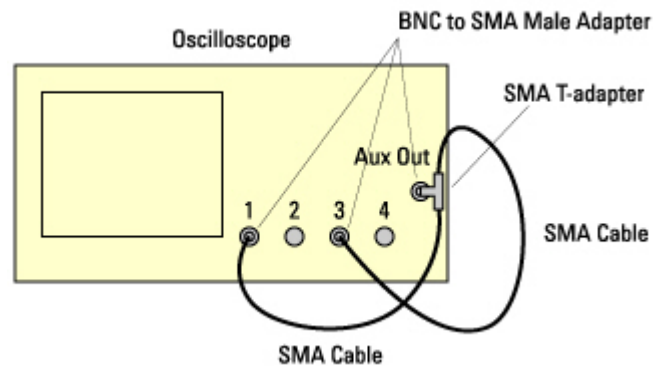


Figure 37 Oscilloscope connections

2. Set up the oscilloscope:
 - a. From the oscilloscope's main menu, choose **File>Open>Setup...**
 - b. In the **Open Setup File** dialog, select the "INF_SMA_Deskew.set" setup file, and click **Open**.

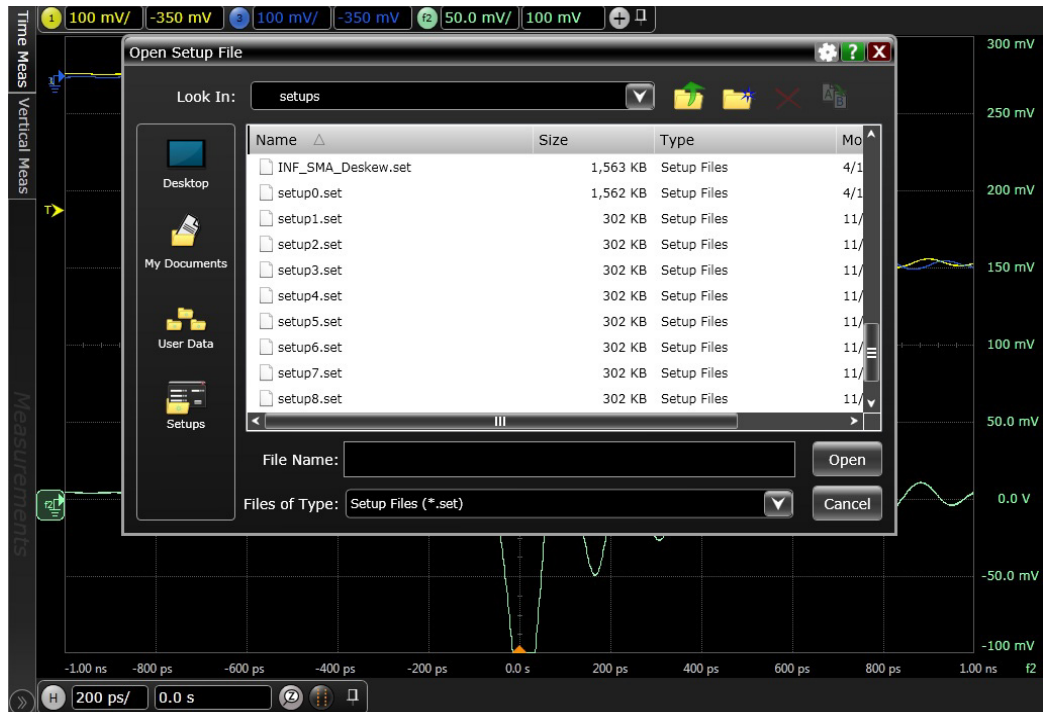


Figure 38 Open Setup File dialog

If the setup file is not available, it can be created by following the instructions in ["INF_SMA_Deskew.set Setup File Details"](#).

3 Observe the Channel-to-Channel skew.

The oscilloscope display should look similar to the picture below. A falling edge of the square wave is shown in a 200 ps/div horizontal scale. The upper portion of the screen shows Channel 1 (yellow trace) and Channel 3 (purple trace) superimposed on one another. The lower portion of the screen is the differential signal (green trace) of Channel 1 minus Channel 3. The top two traces provide for visual inspection of relative time skew between the two Channels. The bottom trace provides for visual presentation of unwanted differential mode signal resulting from relative Channel skew (and to a much lesser extent from other inevitable Channel mismatch parameters

like gain and non-linearity). The picture below is an example of exaggerated skew between Channel 1 and Channel 3, measured to be about 50 ps with the cursor.



Figure 39 Channel-to-Channel Deskew

The following picture shows the desired effect of no skew between the cables. Note that the Channel 1 (yellow trace), Channel 3 (purple trace) traces overlap, and the differential signal (green trace) is flat. If this is not the case, then perform the following steps to reduce the skew between Channels 1 and 3.



Figure 40 No Channel-to-Channel Deskew

- 4 De-skew the Channels:
 - a Choose **Setup>Channel 3...**
 - b Move the Channel Setup dialog to the left so you can see the traces.
 - c Adjust the **Skew** (by clicking on the < or > arrows) to achieve the flattest response on the differential signal (blue trace).

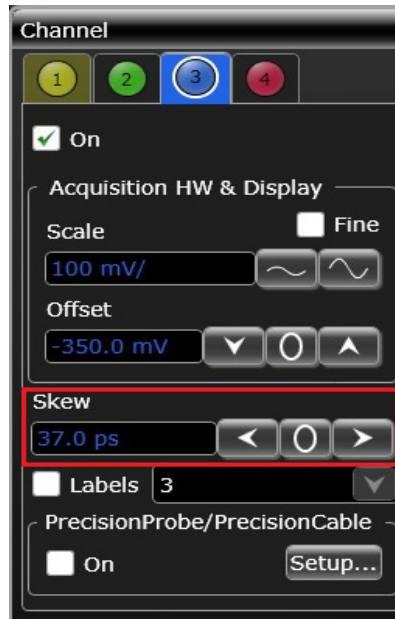


Figure 41 Skew adjustment

- d Click **Close** to close the Channel Setup dialog.
- 5 Disconnect the cables from the T-adapter on the Aux Out BNC. Leave the cables connected to the Channel 1 and Channel 3 inputs.

NOTE

Each cable is now calibrated for the oscilloscope Channel it is connected to. Do not switch cables between Channels or other oscilloscopes, or it will be necessary to calibrate them again. It is recommended that the cables be labeled with the Channel they were calibrated for.

INF_SMA_Deskew.set Setup File Details

NOTE

For Infiniium 90000 X-Series, S-Series, V-Series and Z-Series oscilloscopes, you must manually enable the Aux Output:

1. From the oscilloscope's main menu, choose **Utilities>Calibration Output....**
2. In the **Calibration Output** dialog, select the **Aux Out Enable** check box.

If the INF_SMA_Deskew.set file is not available, you can create it by following these instructions.:

- 1 Start from a default setup by pressing the **Default Setup** key on the front panel. Then, configure the following settings:

Oscilloscope Features	Configuration values
Acquisition	Averaging on, number of averages 16, Interpolation on
Channel 1	Scale 100.0 mV/, Offset -350 mV, Coupling DC, Impedance 50 Ohms
Channel 3	Turn Channel On; Scale 100.0 mV/, Offset -350 mV, Coupling DC, Impedance 50 Ohms
Time base	Scale 200 ps/div
Trigger	Trigger level -173 mV, Slope falling
Function 2	Turn on and configure for channel 1 subtract channel 3, Vertical scale 50 mV/, Offset 100.000 mV

- 2 From the oscilloscope's main menu, choose **File>Save>Setup...**, enter the file name "INF_SMA_Deskew.set", and click **Save**.

