

Specifications Guide

Agilent Technologies ESA-L Series Spectrum Analyzers

This manual provides documentation for the following instruments:

ESA-L Series

E4403B (9 kHz – 3.0 GHz)

E4408B (9 kHz – 26.5 GHz)

E4411B (9 kHz – 1.5 GHz)



Manufacturing Part Number: E4403-90036

Printed in USA

January 2011

Supersedes: September 2003

© Copyright 2000 - 2011 Agilent Technologies

The information contained in this document is subject to change without notice.

Agilent Technologies makes no warranty of any kind with regard to this material, including but not limited to, the implied warranties of merchantability and fitness for a particular purpose. Agilent Technologies shall not be liable for errors contained herein or for incidental or consequential damages in connection with the furnishing, performance, or use of this material.

The following safety symbols are used throughout this manual. Familiarize yourself with the symbols and their meaning before operating this instrument.

WARNING	<i>Warning</i> denotes a hazard. It calls attention to a procedure which, if not correctly performed or adhered to, could result in injury or loss of life. Do not proceed beyond a warning note until the indicated conditions are fully understood and met.
----------------	--

WARNING	This is a Safety Class 1 Product (provided with a protective earthing ground incorporated in the power cord). The mains plug shall only be inserted in a socket outlet provided with a protected earth contact. Any interruption of the protective conductor inside or outside of the product is likely to make the product dangerous. Intentional interruption is prohibited.
----------------	---

WARNING	If this product is not used as specified, the protection provided by the equipment could be impaired. This product must be used in a normal condition (in which all means for protection are intact) only.
----------------	---

CAUTION	<i>Caution</i> denotes a hazard. It calls attention to a procedure that, if not correctly performed or adhered to, could result in damage to or destruction of the instrument. Do not proceed beyond a caution sign until the indicated conditions are fully understood and met.
----------------	--

CAUTION	Always use the three-prong ac power cord supplied with this product. Failure to ensure adequate earth grounding by not using this cord may cause product damage.
----------------	--

CAUTION	This instrument has autoranging line voltage input, be sure the supply voltage is within the specified range.
----------------	---

Warranty

This Agilent Technologies instrument product is warranted against defects in material and workmanship for a period of one year from date of shipment. During the warranty period, Agilent Technologies Company will, at its option, either repair or replace products which prove to be defective.

For warranty service or repair, this product must be returned to a service facility designated by Agilent Technologies. Buyer shall prepay shipping charges to Agilent Technologies and Agilent Technologies shall pay shipping charges to return the product to Buyer. However, Buyer shall pay all shipping charges, duties, and taxes for products returned to Agilent Technologies from another country.

Agilent Technologies warrants that its software and firmware designated by Agilent Technologies for use with an instrument will execute its programming instructions when properly installed on that instrument. Agilent Technologies does not warrant that the operation of the instrument, or software, or firmware will be uninterrupted or error-free.

LIMITATION OF WARRANTY

The foregoing warranty shall not apply to defects resulting from improper or inadequate maintenance by Buyer, Buyer-supplied software or interfacing, unauthorized modification or misuse, operation outside of the environmental specifications for the product, or improper site preparation or maintenance.

NO OTHER WARRANTY IS EXPRESSED OR IMPLIED. AGILENT TECHNOLOGIES SPECIFICALLY DISCLAIMS THE IMPLIED WARRANTIES OF MERCHANTABILITY AND FITNESS FOR A PARTICULAR PURPOSE.

EXCLUSIVE REMEDIES

THE REMEDIES PROVIDED HEREIN ARE BUYER'S SOLE AND EXCLUSIVE REMEDIES. AGILENT TECHNOLOGIES SHALL NOT BE LIABLE FOR ANY DIRECT, INDIRECT, SPECIAL, INCIDENTAL, OR CONSEQUENTIAL DAMAGES, WHETHER BASED ON CONTRACT, TORT, OR ANY OTHER LEGAL THEORY.

Where to Find the Latest Information

Documentation is updated periodically. For the latest information about Agilent Spectrum Analyzers, including firmware upgrades and application information, please visit the following Internet URL:

<http://www.agilent.com/find/esa>

1. Agilent E4403B Specifications and Characteristics	
About This Chapter	8
Frequency	10
Amplitude	15
Options	22
Tracking Generator (Option 1DN)	22
General	26
Inputs and Outputs	31
Front Panel	31
Rear Panel	32
Regulatory Information	36
Declaration of Conformity	37
Statement of Compliance	37
2. Agilent E4408B Specifications and Characteristics	
About This Chapter	40
Frequency	42
Amplitude	47
Options	57
Tracking Generator (Option 1DN)	57
General	61
Inputs and Outputs	66
Front Panel	66
Rear Panel	67
Regulatory Information	71
Declaration of Conformity	72
Statement of Compliance	72
3. Agilent E4411B Specifications and Characteristics	
About This Chapter	74
Frequency	76
Amplitude	81
Options	90
Tracking Generator (Option 1DN or 1DQ)	90
General	94
Inputs and Outputs	99
Internal	99
Front Panel	99
Rear Panel	100
Regulatory Information	104
Declaration of Conformity	105
Statement of Compliance	105

Contents

About This Chapter

This chapter contains specifications and characteristics for the Agilent E4403B spectrum analyzer. The distinction between specifications and characteristics is described as follows.

- Specifications describe the performance of parameters covered by the product warranty. (The temperature range is 0 °C to 55 °C, unless otherwise noted.)
- Characteristics describe product performance that is useful in the application of the product, but is not covered by the product warranty.
- Typical performance describes additional product performance information that is not covered by the product warranty. It is performance beyond specification that 80% of the units exhibit with a 95% confidence level over the temperature range 20 to 30 °C. Typical performance does not include measurement uncertainty.
- Nominal values indicate the expected performance, or describe product performance that is useful in the application of the product, but is not covered by the product warranty.

The following conditions must be met for the analyzer to meet its specifications.

- o The analyzer is within the one year calibration cycle.
- o If **Auto Align All** is selected:
 - After 2 hours of storage within the operating temperature range.
 - 5 minutes after the analyzer is turned on with sweep times less than 4 seconds.
 - After the front-panel amplitude reference is connected to the INPUT, and **Align Now RF** has been run, after the analyzer is turned on. And, once every 24 hours, or if ambient temperature changes more than 30 °C.
- o If **Auto Align Off** is selected:
 - When the analyzer is at a constant temperature, within the operating temperature range, for a minimum of 90 minutes.
 - After the analyzer is turned on for a minimum of 90 minutes, the front panel amplitude reference has been connected to the INPUT, and **Align Now All** has been run.
 - When **Align Now All** is run:
 - Every hour
 - If the ambient temperature changes more than 3 °C
 - If the 10 MHz reference changes
 - When **Align Now RF** is run (with the front-panel amplitude reference

connected to the INPUT):

- Every 24 hours
 - If the ambient temperature changes more than 30 °C
- o If **Auto Align All but RF** is selected:
- When the analyzer is at a constant temperature, within the operating temperature range, for a minimum of 90 minutes.
 - After the analyzer is turned on for a minimum of 90 minutes, the front panel amplitude reference has been connected to the INPUT, and **Align Now RF** has been run.
 - When **Align Now RF** is run (with the front-panel amplitude reference connected to the INPUT):
 - Every hour
 - If the ambient temperature changes more than 3 °C

Frequency

	Specifications	Supplemental Information
Frequency Range	9 kHz to 3.0 GHz	

	Specifications	Supplemental Information
Frequency Reference		
Aging Rate	$\pm 2 \times 10^{-6}$ /year	$\pm 1.0 \times 10^{-7}$ /day, characteristic
Settability	$\pm 5 \times 10^{-7}$	
Temperature Stability	$\pm 5 \times 10^{-6}$	

	Specifications	Supplemental Information
Frequency Readout Accuracy (Start, Stop, Center, Marker)	$\pm((\text{frequency indication} \times \text{frequency reference error}^a) + 0.75\% \text{ of span} + 15\% \text{ of RBW} + 10 \text{ Hz})$	

a. Frequency reference error = (aging rate \times period of time since adjustment + settability + temperature stability).

	Specifications	Supplemental Information
Marker Frequency Counter		
Resolution	Selectable from 1 Hz to 100 kHz	
Accuracy ^a	$\pm(\text{marker frequency} \times \text{frequency reference error}^b + \text{counter resolution})$	

a. Marker level to displayed noise level > 25 dB, RBW/ Span \geq 0.002, frequency offset = 0 Hz.

b. Frequency reference error = (aging rate \times period of time since adjustment + settability + temperature stability).

	Specifications	Supplemental Information
Frequency Span		
Range	0 Hz (zero span), 100 Hz to 3 GHz	
Resolution	2 Hz	

	Specifications	Supplemental Information
Accuracy	±1.0% of span	

	Specifications	Supplemental Information
Sweep Time		
Range	4 ms to 4000 s ^a	
Tracking Generator On (Option 1DN)		50 ms is the minimum sweep time
Accuracy (Span = 0 Hz)		
4 ms to 4000 s ^a	±1%	
Sweep Trigger ^b	Free Run, Single, Line, Video ^c , External, Delayed, Offset ^d	
Delayed Trigger ^e		
Range	1 μs to 400 s	
Resolution	$\frac{\text{delay in seconds}}{65000}$ rounded up to nearest μs	
Accuracy	±(500 ns + (0.01% of delay))	
Offset Trigger ^d		
Resolution	$\frac{\text{sweep time}}{400}$	
Range	±327 ms to ±323 ks	Where ST = sweep time $\frac{-32766 \times ST}{400}$ to $\frac{32365 \times ST}{400}$

- a. For firmware revisions prior to A.04.00, 5 ms to 2000 s.
- b. Auto align is suspended in video, external, and delayed trigger modes while waiting for a trigger event to occur.
- c. Unavailable when RBW ≤ 300 Hz (Option 1DR).
- d. For firmware revision A.04.00 or later.
- e. Delayed trigger is available with line and external trigger.

	Specifications	Supplemental Information
Sweep (trace) Points	401	

Agilent E4403B Specifications and Characteristics
Frequency

	Specifications	Supplemental Information
Resolution Bandwidth (RBW)		
Range		
–3 dB bandwidth	1 kHz to 3 MHz, in 1-3-10 sequence, 5 MHz	
<i>(Option IDR)</i>	Adds 100, 300 Hz ^a	
–6 dB bandwidth (EMI)	9 kHz and 120 kHz	
<i>(Option IDR)</i>	Add 200 Hz ^a	
Accuracy		
100 Hz to 300 Hz (–3 dB) RBW <i>(Option IDR)</i>	±10%	
1 kHz to 3 MHz (–3 dB) RBW	±15%	
5 MHz (–3 dB) RBW	±30%	
9 kHz, 120 kHz (–6 dB) RBW (EMI)	±20%	
200 Hz (–6 dB) RBW (EMI) <i>(Option IDR)</i>	±10%	
Shape		
100 Hz to 300 Hz RBW <i>(Option IDR)</i>		Digital, approximately Gaussian shape
1 kHz to 5 MHz RBW		Synchronously tuned four poles, approximately Gaussian shape
Selectivity (60 dB/3 dB bandwidth ratio)		
100 Hz to 300 Hz RBW <i>(Option IDR)</i>		<5:1, nominal
1 kHz to 5 MHz RBW		<15:1, nominal

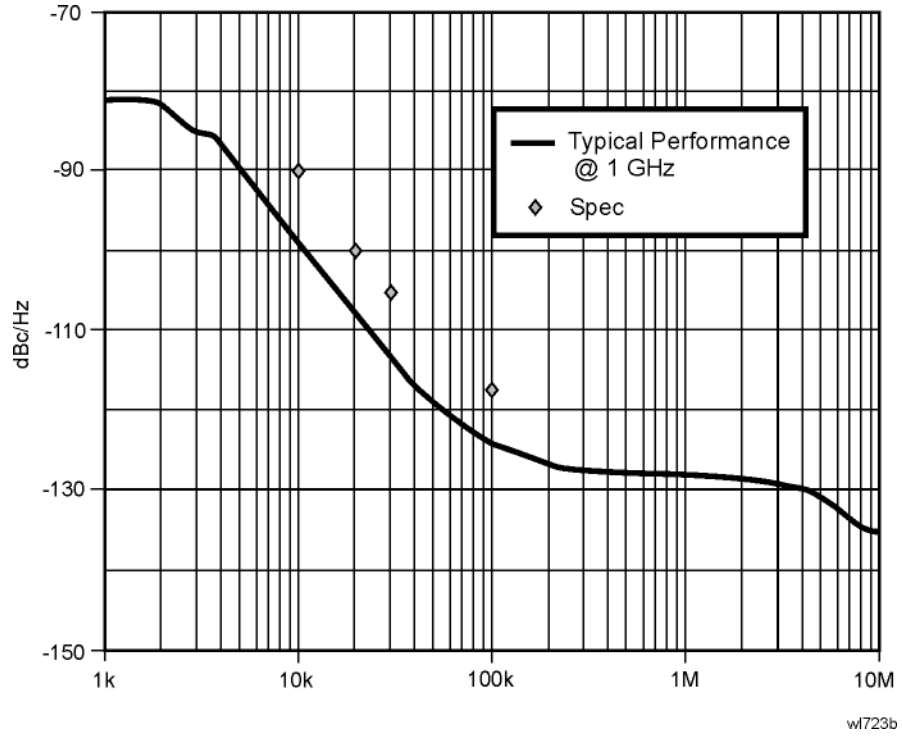
a. Only available in spans ≤5 MHz, sweep times ≥ 4 ms, and not usable with tracking generator on *(Option IDN)*.

	Specifications	Supplemental Information
Video Bandwidth (VBW) (–3 dB)		
Range		
	30 Hz to 1 MHz in 1-3-10 sequence	3 MHz, characteristic
<i>(Option IDR)</i>	Adds 1, 3, 10 Hz for RBW's <1 kHz	

	Specifications	Supplemental Information
Accuracy Shape		<p>$\pm 30\%$, characteristic</p> <p>Post detection, single pole low-pass filter used to average displayed noise</p> <p>Video bandwidths below 30 Hz are digital bandwidths with anti-aliasing filtering.</p>

	Specifications	Supplemental Information
<p>Stability</p> <p>Noise Sidebands (Offset from CW signal with 1 kHz RBW, 30 Hz VBW and sample detector)</p> <p>≥ 1 kHz (<i>Option IDR</i>)</p> <p>≥ 10 kHz</p> <p>≥ 20 kHz</p> <p>≥ 30 kHz</p> <p>≥ 100 kHz</p> <p>Residual FM</p> <p>1 kHz RBW, 1 kHz VBW</p> <p>100 Hz RBW, 100 Hz VBW (<i>Option IDR</i>)</p> <p>System-Related Sidebands, offset from CW signal</p> <p>≥ 30 kHz</p>	<p></p> <p>≤ -90 dBc/Hz</p> <p>≤ -100 dBc/Hz</p> <p>≤ -106 dBc/Hz</p> <p>≤ -118 dBc/Hz</p> <p>≤ 150 Hz p-p in 100 ms</p> <p>≤ -65 dBc</p>	<p></p> <p>≤ -78 dBc/Hz, typical</p> <p>≤ -94 dBc/Hz, typical</p> <p>≤ -105 dBc/Hz, typical</p> <p>≤ -112 dBc/Hz, typical</p> <p>≤ -122 dBc/Hz, typical</p> <p>≤ 30 Hz p-p in 20 ms, characteristic</p>

Noise Sidebands Normalized to 1 Hz Versus Offset from Carrier



Amplitude

Amplitude specifications do not apply for the negative peak detector mode.

	Specifications	Supplemental Information
Measurement Range	Displayed Average Noise Level to Maximum Safe Input Level	
Input Attenuator Range	0 to 65 dB, in 5 dB steps	0 to 75 dB, in 5 dB steps, characteristic

	Specifications	Supplemental Information
Maximum Safe Input Level		
Average Continuous Power (Input attenuator setting ≥ 5 dB)	+30 dBm (1 W)	
Peak Pulse Power (for <10 μ sec pulse width, $<1\%$ duty cycle, and input attenuation ≥ 30 dB)	+50 dBm (100 W)	
dc	100 Vdc	

	Specifications	Supplemental Information
1 dB Gain Compression		
Total power at input mixer ^{a,b}		
50 MHz to 3.0 GHz	0 dBm	

- a. Mixer power level (dBm) = input power (dBm) – input attenuation (dB).
 b. For resolution bandwidths 1 kHz to 30 kHz, the maximum input signal amplitude must be \leq reference level +10 dB.

	Specifications		Supplemental Information	
Displayed Average Noise Level (Input terminated, 0 dB attenuation, sample detector, Reference Level = -70 dBm)				
	1 kHz RBW 30 Hz VBW	100 Hz RBW 1 Hz VBW (Option 1DR)	1 kHz RBW 30 Hz VBW (typical)	100 Hz RBW 1 Hz VBW (Option 1DR) (typical)

Agilent E4403B Specifications and Characteristics
Amplitude

	Specifications		Supplemental Information	
1 MHz to 10 MHz			≤ -117 dBm	≤ -126 dBm
10 MHz to 1.0 GHz	≤ -117 dBm	≤ -125 dBm	≤ -120 dBm	≤ -130 dBm
1.0 GHz to 2.0 GHz	≤ -116 dBm	≤ -124 dBm	≤ -120 dBm	≤ -130 dBm
2.0 GHz to 3.0 GHz	≤ -114 dBm	≤ -122 dBm	≤ -120 dBm	≤ -130 dBm

	Specifications	Supplemental Information
Display Range		
Log Scale	Ten divisions displayed; 0.1, 0.2, 0.5 dB/division and 1 to 20 dB/division in 1 dB steps	
RBW ≥ 1 kHz	Calibrated 0 to -85 dB from Reference Level	
RBW ≤ 300 Hz (<i>Option IDR</i>)	Calibrated 0 to -120 dB ^a from Reference Level	
Linear Scale	Ten divisions	
Scale Units	dBm, dBmV, dBμV, dBμA, A, V, and W	

a. 0 to -70 dB range when span = 0 Hz, or when IF Gain fixed:
(:DISPlay:WINDow:TRACe:Y[:SCALE]:LOG:RANGE:AUTO OFF).

	Specifications	Supplemental Information
Marker Readout Resolution		
Log scale		
RBW ≥ 1 kHz		
0 to -85 dB from ref level	0.04 dB	
RBW ≤ 300 Hz (<i>Option IDR</i>)		
0 to -120 dB from ref level	0.04 dB	
Linear scale	0.01% of Reference Level	

	Specifications	Supplemental Information
Frequency Response^a		
10 dB attenuation		
9 kHz to 3.0 GHz		

	Specifications	Supplemental Information
20 to 30 °C	±0.5 dB	
0 to 55 °C	±1.0 dB	

a. Frequency response values are referenced to the amplitude at 50 MHz.

	Specifications	Supplemental Information
Input Attenuation Switching Uncertainty at 50 MHz		
Attenuator Setting		
0 dB to 5 dB	±0.3 dB	
10 dB	Reference	
15 dB	±0.3 dB	
20 to 65 dB attenuation	±(0.1 dB + 0.01 × Attenuator Setting)	

Attenuation Accuracy Relative to the 10 dB Attenuator Setting, Characteristic		
	Frequency Range	
Attenuation	dc–3.0 GHz	
0 dB	±0.3 dB	
5 dB	±0.3 dB	
10 dB	Reference	
15 dB	±0.4 dB	
20 dB	±0.4 dB	
25 dB	±0.5 dB	
30 dB	±0.5 dB	
35 dB	±0.6 dB	
40 dB	±0.6 dB	
45 dB	±0.7 dB	
50 dB	±0.7 dB	
55 dB	±0.9 dB	
60 dB	±0.9 dB	
65 dB	±1.0 dB	

Agilent E4403B Specifications and Characteristics
Amplitude

	Specifications	Supplemental Information
Absolute Amplitude Accuracy		
At reference settings ^a	±0.4 dB	
Overall Amplitude Accuracy ^b		
20 to 30 °C	± (0.6 dB + Absolute Frequency Response)	

- a. Settings are: reference level -20 dBm; input attenuation 10 dB; center frequency 50 MHz; RBW 1 kHz; VBW 1 kHz; amplitude scale linear or log; span 2 kHz; sweep time coupled, signal at reference level.
- b. For reference level 0 to -50 dBm; input attenuation 10 dB; RBW 1 kHz; VBW 1 kHz; amplitude scale log, log range 0 to -50 dB from reference level; sweep time coupled; signal input 0 to -50 dBm; span ≤20 kHz.

	Specifications	Supplemental Information
RF Input VSWR (at tuned frequency)		
Attenuator setting 0 dB		
100 kHz to 3 GHz		≤3.0:1, characteristic
Attenuator setting 5 dB		
100 kHz to 3 GHz		≤1.6:1, characteristic
Attenuator setting 10 to 65 dB		
9 kHz to 100 kHz		≤2.0:1, characteristic
100 kHz to 3 GHz		≤1.4:1, characteristic

	Specifications	Supplemental Information
Auto Alignment^a		
Sweep-to-sweep variation		±0.1 dB, characteristic

- a. Set **Auto Align** to **Off** and use **Align Now, All** to eliminate this variation.

	Specifications	Supplemental Information
Resolution Bandwidth Switching Uncertainty (at Reference Level)		
1 kHz RBW	Reference	
3 kHz to 3 MHz RBW	±0.3 dB	
5 MHz RBW	±0.6 dB	
100 Hz to 300 Hz RBW (Option 1DR)	±0.3 dB	

	Specifications	Supplemental Information
Reference Level		
Range	-149.9 dBm to maximum mixer level + attenuator setting	
Resolution		
Log Scale	±0.1 dB	
Linear Scale	±0.12% of Reference Level	
Accuracy (at a fixed frequency, a fixed attenuator, and referenced to -30 dBm)		
Reference Level (dBm) – input attenuator setting (dB)		
-10 dBm to > -60 dBm	±0.3 dB	
-60 dBm to > -85 dBm	±0.5 dB	
-85 dBm to -90 dBm	±0.7 dB	

	Specifications	Supplemental Information
Display Scale Switching Uncertainty		
Switching between Linear and Log	±0.15 dB at reference level	
Log Scale Switching	No error	

	Specifications	Supplemental Information
Display Scale Fidelity		
Log Maximum Cumulative		
RBW ≥ 1 kHz		
0 to 85 dB Below Reference Level	±(0.3 dB + 0.01 × dB from reference level)	
RBW ≤ 300 Hz (<i>Option IDR</i>)		
Span > 0 Hz		
Auto range On		
0 to 98 dB ^a below reference level	±(0.3 dB + 0.01 × dB from reference level)	

Agilent E4403B Specifications and Characteristics
Amplitude

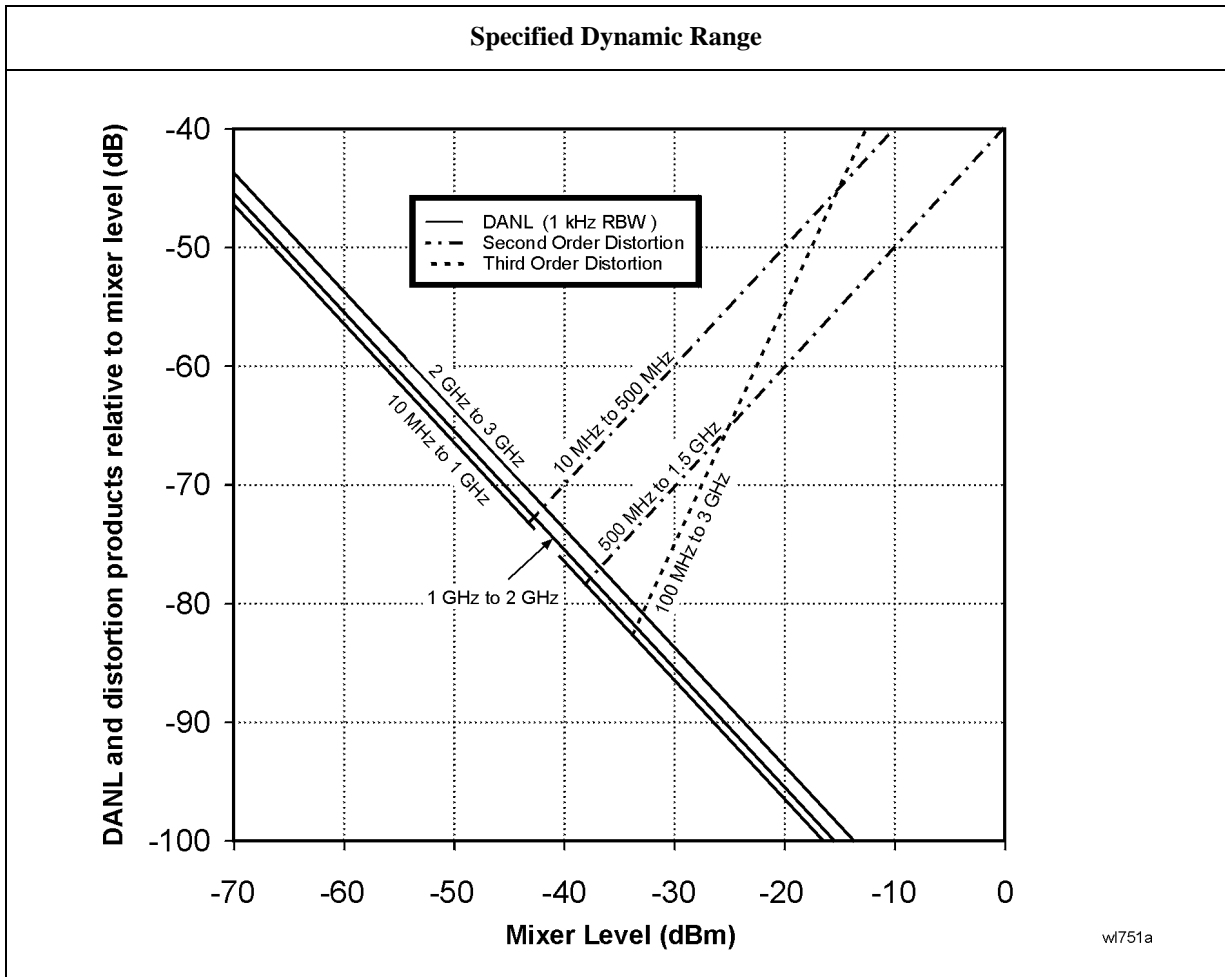
	Specifications	Supplemental Information
> 98 to 120 dB below reference level		±2.0 dB, characteristic
Auto range Off ^b		
0 to 60 dB ^a below reference level	±(0.3 dB + 0.015 × dB from reference level)	
> 60 to 70 dB below reference level	±1.5 dB	
Span = 0 Hz		
0 to 60 dB ^a below reference level	±(0.3 dB + 0.015 × dB from reference level)	
> 60 to 70 dB below reference level	±1.5 dB	
Log Incremental Accuracy		
0 to 80 dB ^{a,c} below reference level	±0.4 dB/4 dB	
Linear Accuracy	±2% of Reference Level	

- a. 0 to 30 dB for RBW = 200 Hz
- b. The SCPI command for auto range off is:
(:DISPlay:WINDow:TRACe:Y[:SCALe]:LOG:RANGe:AUTO OFF)
- c. 0 to 50 dB for RBWs ≤ 300 Hz and span = 0 Hz, or when auto ranging is off.

	Specifications	Supplemental Information
Spurious Responses		
Second Harmonic Distortion		
Input Signal		
10 MHz to 500 MHz	< -60 dBc for -30 dBm signal at input mixer ^a	+30 dBm SHI (second harmonic intercept)
500 MHz to 1.5 GHz	< -70 dBc for -30 dBm signal at input mixer ^a	+40 dBm SHI
Third Order Intermodulation Distortion		
10 MHz to 100 MHz		+5 dBm TOI (third order intercept), characteristic
100 MHz to 3 GHz	< -75 dBc for two -30 dBm signals at input mixer ^a and >50 kHz separation	+7.5 dBm TOI

	Specifications	Supplemental Information
Other Input Related Spurious >30 kHz offset	< -65 dBc for -20 dBm signal at input mixer ^a	

a. Mixer power level (dBm) = input power (dBm) - input attenuation (dB)



	Specifications	Supplemental Information
Residual Responses (Input terminated and 0 dB attenuation) 150 kHz to 3 GHz	< -90 dBm	

Options

Tracking Generator (Option 1DN)

The spectrum analyzer/tracking generator combination will meet its specification after a cable (8120-5148) and adapter are connected between RF OUT and INPUT and **Align Now, TG** has been run.

	Specifications	Supplemental Information
Warm-up	5 minutes	

	Specifications	Supplemental Information
Output Frequency Range	9 kHz to 3.0 GHz	

	Specifications	Supplemental Information
Minimum Resolution BW	1 kHz	Not usable with resolution bandwidths ≤ 300 Hz (<i>Option 1DR</i>)

	Specifications	Supplemental Information
Output Power Level		
Range	-2 to -66 dBm	
Resolution	0.1 dB	
Absolute Accuracy (at 50 MHz with coupled source attenuator, referenced to -20 dBm)	± 0.75 dB	
Vernier		
Range	8 dB	
Accuracy (with coupled source attenuator, 50 MHz, -20 dBm)		
Incremental	± 0.2 dB/dB	
Cumulative	± 0.5 dB, total	
Output Attenuator Range	0 to 56 dB in 8 dB steps	

	Specifications	Supplemental Information
Maximum Safe Reverse Level		+30 dBm (1 W), 50 Vdc, characteristic

	Specifications	Supplemental Information
Output Power Sweep		
Range	(-10 to -2 dBm) – (Source Attenuator Setting)	
Resolution	0.1 dB	
Accuracy (zero span)	<1 dB peak-to-peak	

	Specifications	Supplemental Information
Output Flatness		
Referenced to 50 MHz, -20 dBm		
9 kHz to 10 MHz	±3 dB	
10 MHz to 3 GHz	±2 dB	

	Specifications	Supplemental Information
Spurious Outputs		
(-2 dBm output)		
Harmonic Spurs		
TG Output 9 kHz to 20 kHz	≤ -15 dBc	
TG Output 20 kHz to 3 GHz	≤ -25 dBc	
Non-harmonic Spurs		
TG Output 9 kHz to 2 GHz	≤ -27 dBc	
TG Output 2 GHz to 3 GHz	≤ -23 dBc	
LO Feedthrough		
LO Frequency 3.921409 GHz to 6.9214 GHz	≤ -16 dBm	

	Specifications	Supplemental Information
Dynamic Range	Maximum Output Power Level – Displayed Average Noise Level	

Agilent E4403B Specifications and Characteristics
Options

	Specifications	Supplemental Information
Output Tracking Drift Swept Tracking Error		1.5 kHz/5 minute, characteristic Usable in 1 kHz RBW after 5 minutes of warm-up

	Specifications	Supplemental Information
RF Power-Off Residuals 9 kHz to 3 GHz		< -120 dBm, characteristic

	Specifications	Supplemental Information
Output Attenuator Repeatability 9 kHz to 300 MHz 300 MHz to 2 GHz 2 GHz to 3 GHz		±0.1 dB, characteristic ±0.2 dB, characteristic ±0.3 dB, characteristic

	Specifications	Supplemental Information
Output VSWR 0 dB attenuation ≥ 8 dB attenuation		<2.0:1, characteristic <1.5:1, characteristic

	Specifications	Supplemental Information
Output Attenuator Accuracy 0 dB 8 dB 16 dB 24 dB 32 dB 40 dB 48 dB 56 dB	Reference	±0.5 dB, characteristic ±0.5 dB, characteristic ±0.5 dB, characteristic ±0.6 dB, characteristic ±0.8 dB, characteristic ±1.0 dB, characteristic ±1.1 dB, characteristic

Tracking Generator Output Accuracy
Relative Accuracy (Referred to -20 dBm) = Output Attenuator Accuracy + Vernier Accuracy + Output Flatness
Absolute Accuracy = Relative Accuracy (Referred to -20 dBm) + Absolute Accuracy at 50 MHz

General

	Specifications	Supplemental Information
Temperature Range		
Operating	0 to 55 °C	Floppy disk 10 to 40 °C
Storage	-40 to 75 °C	

	Specifications	Supplemental Information
Altitude Range		
Operating	Up to 4600 meters	

	Specifications	Supplemental Information
Humidity Range		
Operating	maximum relative humidity 80% for temperatures up to 31°C decreasing linearly to 50% relative humidity at 40°C	

	Specifications	Supplemental Information
Audible Noise (ISO 7779)		
Sound Pressure at 25 °C		<40 dBa, (<4.6 Bels power)

	Specifications	Supplemental Information
Military Specification	Has been type tested to the environmental specifications of MIL-PRF-28800F class 3.	

	Specifications	Supplemental Information
EMI Compatibility	Conducted and radiated emission is in compliance with CISPR Pub. 11/1990 Group 1 Class A.	

	Specifications	Supplemental Information
Immunity Testing		

	Specifications	Supplemental Information
Radiated Immunity		Testing was done at 3 V/m according to IEC 801-3/1984. When the analyzer tuned frequency is identical to the immunity test signal frequency, there may be signals of up to -60 dBm displayed on the screen.
Electrostatic Discharge		Air discharges of up to 8 kV were applied according to IEC 801-2/1991. Discharges to center pins of any of the connectors may cause damage to the associated circuitry.

	Specifications	Supplemental Information
Acoustic Noise Emission/Geraeuschemission		
LpA <70 dB	LpA <70 dB	
Operator position	Am Arbeitsplatz	
Normal position	Normaler Betrieb	
Per ISO 7779	Nach DIN 45635 t.19	

	Specifications	Supplemental Information
Power Requirements		
ac Operation		
Voltage, frequency	90 to 132 Vrms, 47 to 440 Hz 195 to 250 Vrms, 47 to 66 Hz	
Power Consumption, On	<300 W	
Power Consumption, Standby	<5 W	
dc Operation		
Voltage	12 to 20 Vdc	
Power Consumption	<200 W	
Power Consumption, Standby	<100 mW	

	Specifications	Supplemental Information
Measurement Speed		

Agilent E4403B Specifications and Characteristics
General

	Specifications	Supplemental Information
Local Measurement and Display Update rate ^a		≥ 30/s, characteristic
Remote Measurement and GPIB Transfer Rate ^{b,c} (<i>Option A4H</i>)		≥30/s, characteristic
RF Center Frequency Tune, Measure, and GPIB Transfer Time ^{b,d} (<i>Option A4H</i>)		≤ 90 ms, characteristic

- a. Factory preset, auto align Off, fixed center frequency, RBW = 1 MHz, and spans >10 MHz and ≤600 MHz.
- b. Display Off (:DISPlay:ENABle OFF), and 32-bit integer data format (:FORMat:DATA INT,32), if *Option A4J* is installed, disable sweep ramp, (:SYSTem:PORTs:IFVSwEEP:ENABle OFF), markers Off, single sweep, measured with IBM compatible PC with 550 MHz Pentium® III running Windows® NT 4.0, one meter GPIB cable, National Instruments PCI-GPIB card and NI-488.2 DLL.
- c. Factory preset, auto align Off, RBW = 1 MHz, span= 20 MHz, fixed center frequency, average of 100 measurements.
- d. Factory preset, auto align Off, RBW = 1 MHz, span= 20 MHz, and center frequency tune step size = 50 MHz.

	Specifications	Supplemental Information
Data Storage		
Internal ^a		8.0 MB, nominal
External (10 to 40 °C)		3.5" 1.44 MB, MS-DOS® compatible floppy disk

- a. For serial numbers prior to US41440000 or MY41440000, 1 MB without Option B72, 8 MB with Option B72.

	Specifications	Supplemental Information
Memory Usage		
State		20 kB ^a , nominal
State plus 401-point trace		21 kB ^a , nominal
Applications memory usage		
8590 Compatibility (<i>Option 290</i>)		0.7 MB, nominal

- a. The size of state will increase depending on installed applications.

	Specifications	Supplemental Information
Demod Tune and Listen		Internal speaker, front-panel earphone jack and front-panel volume control.
Demod	AM	

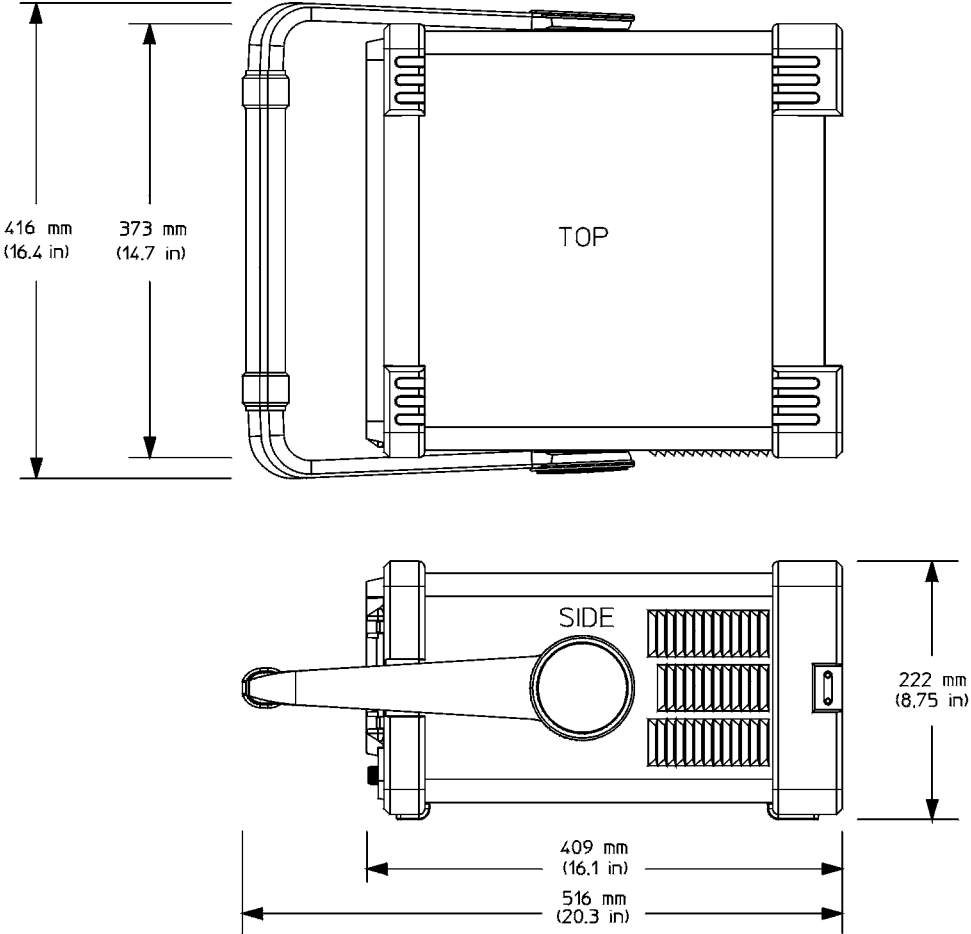
	Specifications	Supplemental Information
<i>(Option A4J)</i>		An uncalibrated demodulated signal is available on the AUX VIDEO OUT connector at the rear panel.

	Specifications	Supplemental Information
Weight (without options)		
Net		15.5 kg (34.2 lb), characteristic
Shipping		27.4 kg (60.4 lb), characteristic

	Specifications	Supplemental Information
Display ^a		
Resolution	640 × 480	

- a. The LCD display is manufactured using high precision technology. However, there may be up to six bright points (white, blue, red or green in color) that constantly appear on the LCD screen. These points are normal in the manufacturing process and do not affect the measurement integrity of the product in any way.

Dimensions



nl742a

Inputs and Outputs

Front Panel

	Specifications	Supplemental Information
INPUT 50 Ω Connector Impedance LO Emissions	Type-N female	50 Ω , nominal < -70 dBm, characteristic. Average level of 1st LO, 3.9214 to 6.9214 GHz, present at INPUT 50 Ω connector.

	Specifications	Supplemental Information
RF OUT 50 Ω, (Option 1DN) Connector Impedance	Type-N female	50 Ω , nominal

	Specifications	Supplemental Information
AMPTD REF OUT^a Connector Impedance Frequency Frequency Accuracy 50 Ω Amplitude ^c	BNC female	Amplitude Reference 50 Ω , nominal 50 MHz Frequency reference error ^b -20 dBm, nominal

- a. Turn the amplitude reference on/off by pressing the keys: **Input/Output, Amptd Ref Out**.
b. Frequency reference error = (aging rate \times period of time since adjustment + settability + temperature stability).
c. The internal amplitude reference actual power is stored internally.

	Specifications	Supplemental Information
PROBE POWER Voltage/Current		+15 Vdc, $\pm 7\%$ at 150 mA max., characteristic -12.6 Vdc $\pm 10\%$ at 150 mA max., characteristic

Agilent E4403B Specifications and Characteristics
Inputs and Outputs

	Specifications	Supplemental Information
EXT KEYBOARD^a		Used for entering screen titles and filenames only. Interface compatible with most IBM-compatible PC keyboards.
Connector	6-pin mini-DIN	

a. The feature is not implemented in firmware revisions prior to A.04.00.

	Specifications	Supplemental Information
Speaker		Front panel knob controls volume

	Specifications	Supplemental Information
Headphone		Front panel knob controls volume
Connector	3.5 mm (1/8 inch) miniature audio jack	
Power Output		0.2 W into 4 Ω , characteristic

Rear Panel

	Specifications	Supplemental Information
10 MHz REF OUT		
Connector	BNC female	
Impedance		50 Ω , nominal
Output Amplitude		>0 dBm, characteristic

	Specifications	Supplemental Information
10 MHz REF IN		
Connector	BNC female	Note: Analyzer noise sidebands and spurious response performance may be affected by the quality of the external reference used.
Impedance		50 Ω , nominal
Input Amplitude Range		-15 to +10 dBm, characteristic
Frequency		10 MHz, nominal

	Specifications	Supplemental Information
GATE TRIG/EXT TRIG IN Connector External Trigger Input Trigger Level	BNC female	Selectable positive or negative edge initiates sweep in EXT TRIG mode (5 V TTL)

	Specifications	Supplemental Information
GATE/HI SWP OUT Connector High Sweep Output Level	BNC female	High = sweep ^a ; Low = retrace (5 V TTL)

a. High sweep may be high longer than the indicated sweep times.

	Specifications	Supplemental Information
VGA OUTPUT Connector Format Resolution	VGA compatible, 15-pin mini D-SUB 640 × 480	VGA (31.5 kHz horizontal, 60 Hz vertical sync rates, non-interlaced) Analog RGB

	Specifications	Supplemental Information
AUX IF OUT (Option A4J) Connector Frequency Amplitude (for signal at reference level and for reference levels – input attenuation of –10 to –70 dBm) Impedance	BNC female	RBW ≥ 1 kHz 21.4 MHz, nominal –10 dBm (uncorrected), characteristic 50 Ω, nominal

Agilent E4403B Specifications and Characteristics
Inputs and Outputs

	Specifications	Supplemental Information
AUX VIDEO OUT <i>(Option A4J)</i> Connector Amplitude Range (into >10 k Ω)	BNC female	RBW \geq 1 kHz 0 to 1 V (uncorrected), characteristic

	Specifications	Supplemental Information
HI SWP IN <i>(Option A4J)</i> Connector Input	BNC female	Open collector, low resets and holds the sweep (5 V TTL)

	Specifications	Supplemental Information
HI SWP OUT <i>(Option A4J)</i> Connector Output	BNC female	High = sweep ^a , Low = retrace (5 V TTL)

a. High sweep may be high longer than the indicated sweep times.

	Specifications	Supplemental Information
SWP OUT <i>(Option A4J)</i> Connector Amplitude	BNC female	0 to +10 V ramp, characteristic

	Specifications	Supplemental Information
GPIO Interface <i>(Option A4H)</i> Connector GPIO Codes	IEEE-488 bus connector	SH1, AH1, T6, SR1, RL1, PP0, DC1, C1, C2, C3 and C28

	Specifications	Supplemental Information
Serial Interface <i>(Option IAX)</i>		

	Specifications	Supplemental Information
Connector	9-pin D-SUB male	RS-232

	Specifications	Supplemental Information
Parallel Interface <i>(Option A4H or 1AX)</i>		Printer port only
Connector	25-pin D-SUB female	

Regulatory Information

CAUTION This product is designed for use in Installation Category II and Pollution Degree 2 per IEC 1010 and 664 respectively.

NOTE This product has been designed and tested in accordance with accepted industry standards, and has been supplied in a safe condition. The documentation contains information and warnings that must be followed by the user to ensure safe operation and to maintain the product in a safe condition.



The CE mark is a registered trademark of the European Community.



The C-Tick mark is a registered trademark of the Australian Spectrum Management Agency.



This ISM device complies with Canadian ICES-001. Cet appareil ISM est conforme a la norme NMB du Canada.

This is also a symbol of an Industrial Scientific and Medical Group 1 Class A product (CISPR 11, Clause 4).



The CSA mark is a registered trademark of the CSA International.



This symbol indicates separate collection for electrical and electronic equipment mandated under EU law as of August 13, 2005. All electric and electronic equipment are required to be separated from normal waste for disposal (Reference WEEE Directive 2002/96/EC).



Indicates the time period during which no hazardous or toxic substance elements are expected to leak or deteriorate during normal use. Forty years is the expected useful life of the product.



This symbol on all primary and secondary packaging indicates compliance to China standard GB 18455-2001.

Declaration of Conformity

A copy of the Manufacturer's European Declaration of Conformity for this instrument can be obtained by contacting your local Agilent Technologies sales representative.

Statement of Compliance

This instrument has been designed and tested in accordance with CAN/CSA 22.2 No. 61010-1-04 & UL Std. No. 61010-1 (2nd Edition).

About This Chapter

This chapter contains specifications and characteristics for the Agilent E4408B spectrum analyzer. The distinction between specifications and characteristics is described as follows.

- Specifications describe the performance of parameters covered by the product warranty. (The temperature range is 0 °C to 55 °C, unless otherwise noted.)
- Characteristics describe product performance that is useful in the application of the product, but is not covered by the product warranty.
- Typical performance describes additional product performance information that is not covered by the product warranty. It is performance beyond specification that 80% of the units exhibit with a 95% confidence level over the temperature range 20 to 30 °C. Typical performance does not include measurement uncertainty.
- Nominal values indicate the expected performance, or describe product performance that is useful in the application of the product, but is not covered by the product warranty.

The following conditions must be met for the analyzer to meet its specifications.

- o The analyzer is within the one year calibration cycle.
- o If **Auto Align All** is selected:
 - After 2 hours of storage within the operating temperature range.
 - 5 minutes after the analyzer is turned on with sweep times less than 4 seconds.
 - After the front-panel amplitude reference is connected to the INPUT, and **Align Now RF** has been run, after the analyzer is turned on. And, once every 24 hours, or if ambient temperature changes more than 30 °C.
- o If **Auto Align Off** is selected:
 - When the analyzer is at a constant temperature, within the operating temperature range, for a minimum of 90 minutes.
 - After the analyzer is turned on for a minimum of 90 minutes, the front panel amplitude reference has been connected to the INPUT, and **Align Now All** has been run.
 - When **Align Now All** is run:
 - Every hour
 - If the ambient temperature changes more than 3 °C
 - If the 10 MHz reference changes
 - When **Align Now RF** is run (with the front-panel amplitude reference

connected to the INPUT):

- Every 24 hours
 - If the ambient temperature changes more than 30 °C
- o If **Auto Align All but RF** is selected:
- When the analyzer is at a constant temperature, within the operating temperature range, for a minimum of 90 minutes.
 - After the analyzer is turned on for a minimum of 90 minutes, the front panel amplitude reference has been connected to the INPUT, and **Align Now RF** has been run.
 - When **Align Now RF** is run (with the front-panel amplitude reference connected to the INPUT):
 - Every hour
 - If the ambient temperature changes more than 3 °C

Frequency

	Specifications	Supplemental Information	
Frequency Range	9 kHz to 26.5 GHz	Harmonic Mixing Mode (N ^a)	
Band			
0 (0 Hz to 3.0 GHz)			1–
1 (2.85 GHz to 6.7 GHz)			1–
2 (6.2 GHz to 13.2 GHz)			2–
3 (12.8 GHz to 19.2 GHz)			4–
4 (18.7 GHz to 26.5 GHz)	4–		

- a. N is the harmonic mixing mode. For negative mixing modes (as indicated by the “–”), the desired 1st LO harmonic is higher than the tuned frequency by the 1st IF (3.9214 for the 9 kHz to 3 GHz band, 321.4 MHz for all other bands).

	Specifications	Supplemental Information
Frequency Reference		
Aging Rate	$\pm 2 \times 10^{-6}$ /year	$\pm 1.0 \times 10^{-7}$ /day, characteristic
Settability	$\pm 5 \times 10^{-7}$	
Temperature Stability	$\pm 5 \times 10^{-6}$	

	Specifications	Supplemental Information
Frequency Readout Accuracy		
(Start, Stop, Center, Marker)	$\pm((\text{frequency indication} \times \text{frequency reference error}^a) + 0.75\% \text{ of span} + 15\% \text{ of RBW} + 10 \text{ Hz} + 1 \text{ Hz} \times N^b)$	

- a. Frequency reference error = (aging rate \times period of time since adjustment + settability + temperature stability).
 b. N is the harmonic mixing mode.

	Specifications	Supplemental Information
Marker Frequency Counter		
Resolution	Selectable from 1 Hz to 100 kHz	

	Specifications	Supplemental Information
Accuracy ^a	$\pm(\text{marker frequency} \times \text{frequency reference error}^b + \text{counter resolution})^c$	

- a. Marker level to displayed noise level > 25 dB, RBW/ Span \geq 0.002, frequency offset = 0 Hz.
- b. Frequency reference error = (aging rate \times period of time since adjustment + settability + temperature stability).
- c. For firmware revisions prior to A.03.00, add 1 Hz \times N, where N is the harmonic mixing mode.

	Specifications	Supplemental Information
Frequency Span		
Range	0 Hz (zero span), 100 Hz to 26.5 GHz	
Resolution	2 Hz \times N ^a	
Accuracy	\pm 1.0% of span	

- a. N is the harmonic mixing mode.

	Specifications	Supplemental Information
Sweep Time		
Range	4 ms to 4000 s ^a	
Tracking Generator On (Option 1DN)		50 ms is the minimum sweep time
Accuracy (Span = 0 Hz)		
4 ms to 4000 s ^a	\pm 1%	
Sweep Trigger ^b	Free Run, Single, Line, Video ^c , External, Delayed, Offset ^d	
Delayed Trigger ^e		
Range	1 μ s to 400 s	
Resolution	$\frac{\text{delay in seconds}}{65000}$ rounded up to nearest μ s	
Accuracy	$\pm(500 \text{ ns} + (0.01\% \text{ of delay}))$	
Offset Trigger ^d		
Resolution	$\frac{\text{sweep time}}{400}$	

Agilent E4408B Specifications and Characteristics
Frequency

	Specifications	Supplemental Information
Range	± 327 ms to ± 323 ks	Where ST = sweep time $\frac{-32766 \times ST}{400}$ to $\frac{32365 \times ST}{400}$

- a. For firmware revisions prior to A.04.00, 5 ms to 2000 s.
- b. Auto align is suspended in video, external, and delayed trigger modes while waiting for a trigger event to occur.
- c. Unavailable when $RBW \leq 300$ Hz (*Option 1DR*).
- d. For firmware revision A.04.00 or later.
- e. Delayed trigger is available with line and external trigger.

	Specifications	Supplemental Information
Sweep (trace) Points	401	

	Specifications	Supplemental Information
Resolution Bandwidth (RBW)		
Range		
–3 dB bandwidth	1 kHz to 3 MHz, in 1-3-10 sequence, 5 MHz	
(<i>Option 1DR</i>)	Adds 100, 300 Hz ^a	
–6 dB bandwidth (EMI)	9 kHz and 120 kHz	
(<i>Option 1DR</i>)	Add 200 Hz ^a	
Accuracy		
100 Hz to 300 Hz (–3 dB) RBW (<i>Option 1DR</i>)	$\pm 10\%$	
1 kHz to 3 MHz (–3 dB) RBW	$\pm 15\%$	
5 MHz (–3 dB) RBW	$\pm 30\%$	
9 kHz, 120 kHz (–6 dB) RBW (EMI)	$\pm 20\%$	
200 Hz (–6 dB) RBW (EMI) (<i>Option 1DR</i>)	$\pm 10\%$	
Shape		
100 Hz to 300 Hz RBW (<i>Option 1DR</i>)		Digital, approximately Gaussian shape
1 kHz to 5 MHz RBW		Synchronously tuned four poles, approximately Gaussian shape
Selectivity (60 dB/3 dB bandwidth ratio)		

	Specifications	Supplemental Information
100 Hz to 300 Hz RBW (<i>Option 1DR</i>)		<5:1, nominal
1 kHz to 5 MHz RBW		<15:1, nominal

a. Only available in spans ≤ 5 MHz, sweep times ≥ 4 ms, and not usable with tracking generator on (*Option 1DN*).

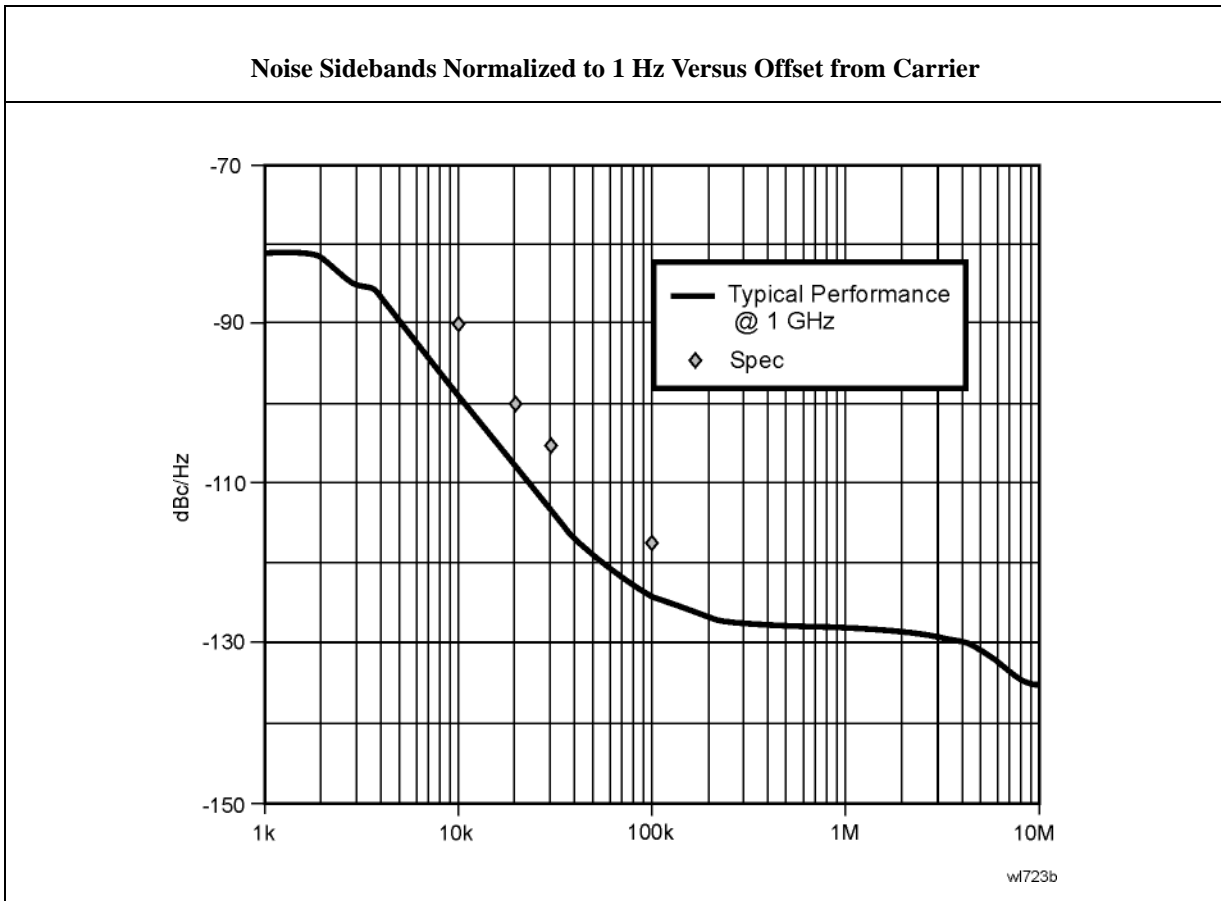
	Specifications	Supplemental Information
Video Bandwidth (VBW) (-3 dB)		
Range (<i>Option 1DR</i>)	30 Hz to 1 MHz in 1-3-10 sequence Adds 1, 3, 10 Hz for RBW's <1 kHz	3 MHz, characteristic
Accuracy		$\pm 30\%$, characteristic
Shape		Post detection, single pole low-pass filter used to average displayed noise Video bandwidths below 30 Hz are digital bandwidths with anti-aliasing filtering.

	Specifications	Supplemental Information
Stability		
Noise Sidebands (Offset from CW signal with 1 kHz RBW, 30 Hz VBW and sample detector)		
≥ 1 kHz (<i>Option 1DR</i>)		≤ -78 dBc/Hz ^a , typical
≥ 10 kHz	≤ -90 dBc/Hz ^a	≤ -94 dBc/Hz ^a , typical
≥ 20 kHz	≤ -100 dBc/Hz ^a	≤ -105 dBc/Hz ^a , typical
≥ 30 kHz	≤ -106 dBc/Hz ^a	≤ -112 dBc/Hz ^a , typical
≥ 100 kHz	≤ -118 dBc/Hz ^a	≤ -122 dBc/Hz ^a , typical
Residual FM		
1 kHz RBW, 1 kHz VBW	≤ 150 Hz \times N p-p in 100 ms	
100 Hz RBW, 100 Hz VBW (<i>Option 1DR</i>)		≤ 30 Hz \times N p-p in 20 ms, characteristic

Agilent E4408B Specifications and Characteristics
Frequency

	Specifications	Supplemental Information
System-Related Sidebands, offset from CW signal ≥30 kHz	≤ -65 dBc ^a	

a. Add 20 Log(N) for frequencies > 6.7 GHz.



Amplitude

Amplitude specifications do not apply for the negative peak detector mode.

	Specifications	Supplemental Information
Measurement Range	Displayed Average Noise Level to Maximum Safe Input Level	
Input Attenuator Range	0 to 65 dB, in 5 dB steps	

	Specifications	Supplemental Information
Maximum Safe Input Level		
Average Continuous Power (Input attenuator setting ≥ 5 dB)	+30 dBm (1 W)	
Peak Pulse Power (for <10 μ sec pulse width, $<1\%$ duty cycle, and input attenuation ≥ 30 dB)	+50 dBm (100 W)	
dc	0 Vdc	

	Specifications	Supplemental Information
1 dB Gain Compression		
Total power at input mixer ^{a,b}		
50 MHz to 3.0 GHz	0 dBm	
3.0 GHz to 6.7 GHz	0 dBm	
6.7 GHz to 13.2 GHz	-3 dBm	
13.2 GHz to 26.5 GHz	-5 dBm	

- a. Mixer power level (dBm) = input power (dBm) – input attenuation (dB).
b. For resolution bandwidths 1 kHz to 30 kHz, the maximum input signal amplitude must be \leq reference level +10 dB.

	Specifications	Supplemental Information
Displayed Average Noise Level (Input terminated, 0 dB attenuation, sample detector, Reference Level = -70 dBm)		

Agilent E4408B Specifications and Characteristics
Amplitude

	Specifications		Supplemental Information	
	1 kHz RBW, 30 Hz VBW	100 Hz RBW 1 Hz VBW (<i>Option 1DR</i>)	1 kHz RBW 30 Hz VBW (typical)	100 Hz RBW 1 Hz VBW (<i>Option 1DR</i>) (typical)
1 MHz to 10 MHz			≤ -117 dBm	≤ -127 dBm
10 MHz to 1.0 GHz	≤ -116 dBm	≤ -124 dBm	≤ -119 dBm	≤ -129 dBm
1.0 GHz to 2.0 GHz	≤ -115 dBm	≤ -123 dBm	≤ -120 dBm	≤ -130 dBm
2.0 GHz to 3.0 GHz	≤ -112 dBm	≤ -120 dBm	≤ -118 dBm	≤ -128 dBm
3.0 GHz to 6.0 GHz	≤ -112 dBm	≤ -120 dBm	≤ -118 dBm	≤ -128 dBm
6.0 GHz to 12 GHz	≤ -110 dBm	≤ -118 dBm	≤ -117 dBm	≤ -127 dBm
12 GHz to 22 GHz	≤ -107 dBm	≤ -115 dBm	≤ -114 dBm	≤ -124 dBm
22 GHz to 26.5 GHz	≤ -101 dBm	≤ -109 dBm	≤ -112 dBm	≤ -122 dBm

	Specifications	Supplemental Information
Display Range		
Log Scale	Ten divisions displayed; 0.1, 0.2, 0.5 dB/division and 1 to 20 dB/division in 1 dB steps	
RBW ≥ 1 kHz	Calibrated 0 to -85 dB from Reference Level	
RBW ≤ 300 Hz (<i>Option 1DR</i>)	Calibrated 0 to -120 dB ^a from Reference Level	
Linear Scale	Ten divisions	
Scale Units	dBm, dBmV, dBμV, dBμA, A, V, and W	

- a. 0 to -70 dB range when span = 0 Hz, or when IF Gain fixed:
(:DISPlay:WINDow:TRACe:Y[:SCALe]:LOG:RANGe:AUTO OFF).

	Specifications	Supplemental Information
Marker Readout Resolution		
Log scale		
RBW ≥ 1 kHz		
0 to -85 dB from ref level	0.04 dB	
RBW ≤ 300 Hz (<i>Option 1DR</i>)		

	Specifications	Supplemental Information
0 to -120 dB from ref level	0.04 dB	
Linear scale	0.01% of Reference Level	

	Specifications	Supplemental Information
Frequency Response		
Absolute ^a /Relative		
10 dB attenuation		
9 kHz to 3.0 GHz		
20 to 30 °C	±0.5 dB	
0 to 55 °C	±1.0 dB	
Preselector centered for frequency >3.0 GHz		
10 dB attenuation		
3.0 GHz to 6.7 GHz		
Absolute ^a		
20 to 30 °C	±1.5 dB	
0 to 55 °C	±2.5 dB	
Relative		
20 to 30 °C	±1.3 dB	
0 to 55 °C	±1.5 dB	
6.7 GHz to 13.2 GHz		
Absolute ^a		
20 to 30 °C	±2.0 dB	
0 to 55 °C	±3.0 dB	
Relative		
20 to 30 °C	±1.8 dB	
0 to 55 °C	±2.0 dB	
13.2 GHz to 26.5 GHz		
Absolute ^a		
20 to 30 °C	±2.0 dB	

Agilent E4408B Specifications and Characteristics
Amplitude

	Specifications	Supplemental Information
0 to 55 °C	±3.0 dB	
Relative		
20 to 30 °C	±1.8 dB	
0 to 55 °C	±2.0 dB	

a. Absolute frequency response values are referenced to the amplitude at 50 MHz.

	Specifications	Supplemental Information
Input Attenuation Switching Uncertainty at 50 MHz		
Attenuator Setting		
0 dB to 5 dB	±0.3 dB	
10 dB	Reference	
15 dB	±0.3 dB	
20 to 65 dB attenuation	±(0.1 dB + 0.01 × Attenuator Setting)	

Attenuation Accuracy Relative to the 10 dB Attenuator Setting, Characteristic					
	Frequency Range				
Attenuation	dc–3 GHz	3.0–13.2 GHz	13.2–19 GHz	19–22 GHz	22–26.5 GHz
0 dB	±0.3 dB	±0.5 dB	±0.8 dB	±0.9 dB	±1.0 dB
5 dB	±0.3 dB	±0.5 dB	±0.8 dB	±0.9 dB	±1.0 dB
10 dB	Reference	Reference	Reference	Reference	Reference
15 dB	±0.4 dB	±0.5 dB	±0.8 dB	±1.0 dB	±1.5 dB
20 dB	±0.4 dB	±0.5 dB	±0.8 dB	±1.0 dB	±1.5 dB
25 dB	±0.5 dB	±0.6 dB	±0.8 dB	±1.2 dB	±2.0 dB
30 dB	±0.5 dB	±0.6 dB	±0.8 dB	±1.2 dB	±2.0 dB
35 dB	±0.6 dB	±0.7 dB	±1.0 dB	±1.8 dB	±3.0 dB
40 dB	±0.6 dB	±0.7 dB	±1.0 dB	±1.8 dB	±3.0 dB
45 dB	±0.7 dB	±1.0 dB	±1.3 dB	±2.2 dB	±3.4 dB
50 dB	±0.7 dB	±1.0 dB	±1.3 dB	±2.2 dB	±3.4 dB
55 dB	±0.9 dB	±1.1 dB	±1.6 dB	±2.7 dB	±3.5 dB

Attenuation Accuracy Relative to the 10 dB Attenuator Setting, Characteristic					
	Frequency Range				
Attenuation	dc–3 GHz	3.0–13.2 GHz	13.2–19 GHz	19–22 GHz	22–26.5 GHz
60 dB	±0.9 dB	±1.1 dB	±1.6 dB	±2.7 dB	±3.5 dB
65 dB	±1.0 dB	±1.6 dB	±2.0 dB	±3.2 dB	±3.8 dB

	Specifications	Supplemental Information
Absolute Amplitude Accuracy		
At reference settings ^a	±0.4 dB	
Overall Amplitude Accuracy ^b		
20 to 30 °C	± (0.6 dB + Absolute Frequency Response)	

- a. Settings are: reference level –20 dBm; input attenuation 10 dB; center frequency 50 MHz; RBW 1 kHz; VBW 1 kHz; amplitude scale linear or log; span 2 kHz; sweep time coupled, signal at reference level.
- b. For reference level 0 to –50 dBm; input attenuation 10 dB; RBW 1 kHz; VBW 1 kHz; amplitude scale log, log range 0 to –50 dB from reference level; sweep time coupled; signal input 0 to –50 dBm; span ≤20 kHz.

	Specifications	Supplemental Information
RF Input VSWR (at tuned frequency)		
Attenuator setting 0 dB		
9 kHz to 26.5 GHz		≤3.0:1, characteristic
Attenuator setting 5 dB		
9 kHz to 100 kHz		≤2.0:1, characteristic
100 kHz to 6.7 GHz		≤1.4:1, characteristic
6.7 GHz to 13.2 GHz		≤1.7:1, characteristic
13.2 GHz to 22.0 GHz		≤2.3:1, characteristic
22.0 GHz to 26.5 GHz		≤2.6:1, characteristic
Attenuator setting 10 to 65 dB		

Agilent E4408B Specifications and Characteristics
Amplitude

	Specifications	Supplemental Information	
9 kHz to 6.7 GHz		≤1.3:1, characteristic	
6.7 GHz to 13.2 GHz		≤1.5:1, characteristic	
13.2 GHz to 22.0 GHz		≤2.0:1, characteristic	
22.0 GHz to 26.5 GHz		≤2.2:1, characteristic	

	Specifications	Supplemental Information	
Auto Alignment^a Sweep-to-sweep variation		±0.1 dB, characteristic	

a. Set **Auto Align** to **Off** and use **Align Now, All** to eliminate this variation.

	Specifications	Supplemental Information	
Resolution Bandwidth Switching Uncertainty (at Reference Level)			
1 kHz RBW	Reference		
3 kHz to 3 MHz RBW	±0.3 dB		
5 MHz RBW	±0.6 dB		
100 Hz to 300 Hz RBW (Option IDR)	±0.3 dB		

	Specifications	Supplemental Information	
Reference Level			
Range	–149.9 dBm to maximum mixer level + attenuator setting		
Resolution			
Log Scale	±0.1 dB		
Linear Scale	±0.12% of Reference Level		
Accuracy (at a fixed frequency, a fixed attenuator, and referenced to –30 dBm)			
Reference Level (dBm) – input attenuator setting (dB)			

	Specifications	Supplemental Information
-10 dBm to > -60 dBm	±0.3 dB	
-60 dBm to > -85 dBm	±0.5 dB	
-85 dBm to -90 dBm	±0.7 dB	

	Specifications	Supplemental Information
Display Scale Switching Uncertainty		
Switching between Linear and Log	±0.15 dB at reference level	
Log Scale Switching	No error	

	Specifications	Supplemental Information
Display Scale Fidelity		
Log Maximum Cumulative		
RBW ≥ 1 kHz		
0 to 85 dB Below Reference Level	±(0.3 dB + 0.01 × dB from reference level)	
RBW ≤ 300 Hz (<i>Option 1DR</i>)		
Span > 0 Hz		
Auto range On		
0 to 98 dB ^a below reference level	±(0.3 dB + 0.01 × dB from reference level)	±2.0 dB, characteristic
> 98 to 120 dB below reference level		
Auto range Off ^b		
0 to 60 dB ^a below reference level	±(0.3 dB + 0.015 × dB from reference level)	
> 60 to 70 dB below reference level	±1.5 dB	
Span = 0 Hz		
0 to 60 dB ^a below reference level	±(0.3 dB + 0.015 × dB from reference level)	
> 60 to 70 dB below reference level	±1.5 dB	

Agilent E4408B Specifications and Characteristics
Amplitude

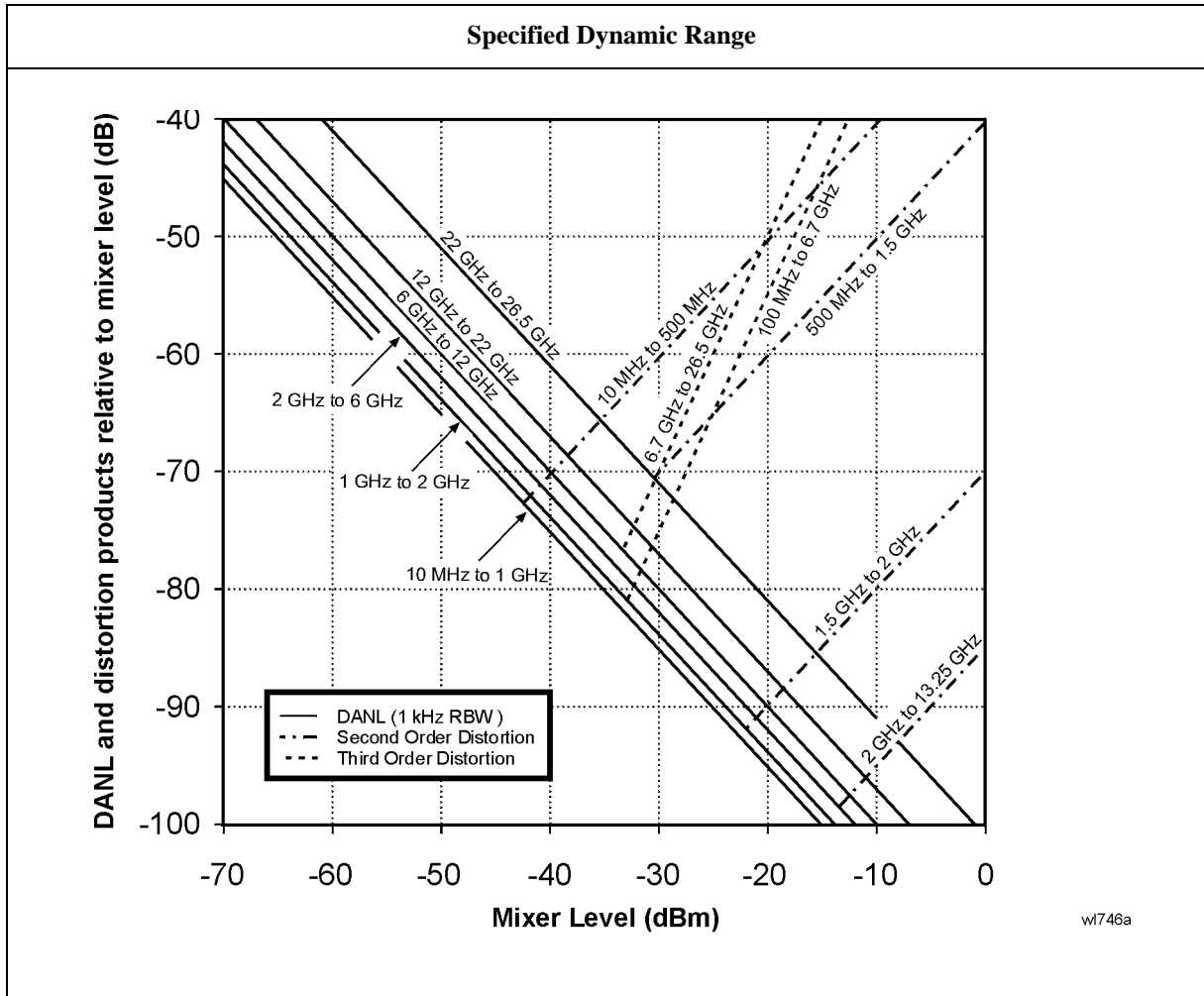
	Specifications	Supplemental Information
Log Incremental Accuracy		
0 to 80 dB ^{a,c} below reference level	± 0.4 dB/4 dB	
Linear Accuracy	$\pm 2\%$ of Reference Level	

- a. 0 to 30 dB for RBW = 200 Hz
- b. The SCPI command for auto range off is:
(:DISPlay:WINDow:TRACe:Y[:SCALe]:LOG:RANGe:AUTO OFF)
- c. 0 to 50 dB for RBWs \leq 300 Hz and span = 0 Hz, or when auto ranging is off.

	Specifications	Supplemental Information
Spurious Responses		
Second Harmonic Distortion		
Input Signal		
10 MHz to 500 MHz	< -60 dBc for -30 dBm signal at input mixer ^a	$+30$ dBm SHI (second harmonic intercept)
500 MHz to 1.5 GHz	< -70 dBc for -30 dBm signal at input mixer ^a	$+40$ dBm SHI
1.5 GHz to 2.0 GHz	< -80 dBc for -10 dBm signal at input mixer ^a	$+70$ dBm SHI
2.0 GHz to 3.35 GHz	< -95 dBc ^b for -10 dBm signal at input mixer ^a	$+85$ dBm SHI
3.35 GHz to 6.6 GHz	< -95 dBc ^b for -10 dBm signal at input mixer ^a	$+85$ dBm SHI
6.6 GHz to 13.25 GHz	< -95 dBc ^b for -10 dBm signal at input mixer ^a	$+85$ dBm SHI
Third Order Intermodulation Distortion		
10 MHz to 100 MHz		$+5$ dBm TOI (third order intercept), characteristic
100 MHz to 3 GHz	< -75 dBc for two -30 dBm signals at input mixer ^a and >50 kHz separation	$+7.5$ dBm TOI
3.0 GHz to 6.7 GHz	< -75 dBc for two -30 dBm signals at input mixer ^a and >50 kHz separation	$+7.5$ dBm TOI

	Specifications	Supplemental Information
6.7 GHz to 13.2 GHz	< -70 dBc for two -30 dBm signals at input mixer ^a and >50 kHz separation	+5.0 dBm TOI
13.2 GHz to 26.5 GHz	< -70 dBc for two -30 dBm signals at input mixer ^a and >50 kHz separation	+5.0 dBm TOI
Other Input Related Spurious		
Inband Responses		
>30 kHz offset	< -65 dBc for -20 dBm signal at input mixer ^a	
Out-of-band Responses	< -80 dBc for -10 dBm signal at input mixer ^a	

- a. Mixer power level (dBm) = input power (dBm) – input attenuation (dB)
- b. or signal below displayed average noise level.



	Specifications	Supplemental Information
Residual Responses (Input terminated and 0 dB attenuation) 150 kHz to 6.7 GHz	< -90 dBm	

Options

Tracking Generator (Option 1DN)

The spectrum analyzer/tracking generator combination will meet its specification after a cable (8120-5148) and adapter are connected between RF OUT and INPUT and **Align Now, TG** has been run.

	Specifications	Supplemental Information
Warm-up	5 minutes	

	Specifications	Supplemental Information
Output Frequency Range	9 kHz to 3.0 GHz	

	Specifications	Supplemental Information
Minimum Resolution BW	1 kHz	Not usable with resolution bandwidths ≤ 300 Hz (<i>Option 1DR</i>)

	Specifications	Supplemental Information
Output Power Level		
Range	-2 to -66 dBm	
Resolution	0.1 dB	
Absolute Accuracy (at 50 MHz with coupled source attenuator, referenced to -20 dBm)	± 0.75 dB	
Vernier		
Range	8 dB	
Accuracy (with coupled source attenuator, 50 MHz, -20 dBm)		
Incremental	± 0.2 dB/dB	
Cumulative	± 0.5 dB, total	
Output Attenuator Range	0 to 56 dB in 8 dB steps	

Agilent E4408B Specifications and Characteristics
Options

	Specifications	Supplemental Information
Maximum Safe Reverse Level		+30 dBm (1 W), 50 Vdc, characteristic

	Specifications	Supplemental Information
Output Power Sweep		
Range	(-10 to -2 dBm) – (Source Attenuator Setting)	
Resolution	0.1 dB	
Accuracy (zero span)	<1 dB peak-to-peak	

	Specifications	Supplemental Information
Output Flatness		
Referenced to 50 MHz, -20 dBm		
9 kHz to 10 MHz	±3 dB	
10 MHz to 3 GHz	±2 dB	

	Specifications	Supplemental Information
Spurious Outputs		
(-2 dBm output)		
Harmonic Spurs		
TG Output 9 kHz to 20 kHz	≤ -15 dBc	
TG Output 20 kHz to 3 GHz	≤ -25 dBc	
Non-harmonic Spurs		
TG Output 9 kHz to 2 GHz	≤ -27 dBc	
TG Output 2 GHz to 3 GHz	≤ -23 dBc	
LO Feedthrough		
LO Frequency 3.921409 GHz to 6.9214 GHz	≤ -16 dBm	

	Specifications	Supplemental Information
Dynamic Range	Maximum Output Power Level – Displayed Average Noise Level	

	Specifications	Supplemental Information
Output Tracking Drift Swept Tracking Error		1.5 kHz/5 minute, characteristic Usable in 1 kHz RBW after 5 minutes of warm-up

	Specifications	Supplemental Information
RF Power-Off Residuals 9 kHz to 3 GHz		< -120 dBm, characteristic

	Specifications	Supplemental Information
Output Attenuator Repeatability 9 kHz to 300 MHz 300 MHz to 2 GHz 2 GHz to 3 GHz		±0.1 dB, characteristic ±0.2 dB, characteristic ±0.3 dB, characteristic

	Specifications	Supplemental Information
Output VSWR 0 dB attenuation ≥ 8 dB attenuation		<2.0:1, characteristic <1.5:1, characteristic

	Specifications	Supplemental Information
Output Attenuator Accuracy 0 dB 8 dB 16 dB 24 dB 32 dB 40 dB 48 dB 56 dB	Reference	±0.5 dB, characteristic ±0.5 dB, characteristic ±0.5 dB, characteristic ±0.6 dB, characteristic ±0.8 dB, characteristic ±1.0 dB, characteristic ±1.1 dB, characteristic

Tracking Generator Output Accuracy
Relative Accuracy (Referred to -20 dBm) = Output Attenuator Accuracy + Vernier Accuracy + Output Flatness
Absolute Accuracy = Relative Accuracy (Referred to -20 dBm) + Absolute Accuracy at 50 MHz

General

	Specifications	Supplemental Information
Temperature Range		
Operating	0 to 55 °C	Floppy disk 10 to 40 °C
Storage	-40 to 75 °C	

	Specifications	Supplemental Information
Altitude Range		
Operating	Up to 4600 meters	

	Specifications	Supplemental Information
Humidity Range		
Operating	maximum relative humidity 80% for temperatures up to 31°C decreasing linearly to 50% relative humidity at 40°C	

	Specifications	Supplemental Information
Audible Noise (ISO 7779)		
Sound Pressure at 25 °C		<40 dBa, (<4.6 Bels power)

	Specifications	Supplemental Information
Military Specification	Has been type tested to the environmental specifications of MIL-PRF-28800F class 3.	

	Specifications	Supplemental Information
EMI Compatibility	Conducted and radiated emission is in compliance with CISPR Pub. 11/1990 Group 1 Class A.	

	Specifications	Supplemental Information
Immunity Testing		

Agilent E4408B Specifications and Characteristics
General

	Specifications	Supplemental Information
Radiated Immunity		Testing was done at 3 V/m according to IEC 801-3/1984. When the analyzer tuned frequency is identical to the immunity test signal frequency, there may be signals of up to -60 dBm displayed on the screen.
Electrostatic Discharge		Air discharges of up to 8 kV were applied according to IEC 801-2/1991. Discharges to center pins of any of the connectors may cause damage to the associated circuitry.

	Specifications	Supplemental Information
Acoustic Noise Emission/Geraeuschemission		
LpA <70 dB	LpA <70 dB	
Operator position	Am Arbeitsplatz	
Normal position	Normaler Betrieb	
Per ISO 7779	Nach DIN 45635 t.19	

	Specifications	Supplemental Information
Power Requirements		
ac Operation		
Voltage, frequency	90 to 132 Vrms, 47 to 440 Hz 195 to 250 Vrms, 47 to 66 Hz	
Power Consumption, On	<300 W	
Power Consumption, Standby	<5 W	
dc Operation		
Voltage	12 to 20 Vdc	
Power Consumption	<200 W	
Power Consumption, Standby	<100 mW	

	Specifications	Supplemental Information
Measurement Speed		

	Specifications	Supplemental Information
Local Measurement and Display Update rate ^a		≥ 28/s, characteristic
Remote Measurement and GPIB Transfer Rate ^{b,c} (<i>Option A4H</i>)		≥ 28/s, characteristic
RF Center Frequency Tune, Measure, and GPIB Transfer Time ^{b,d} (<i>Option A4H</i>)		≤ 90 ms, characteristic

- a. Factory preset, auto align Off, fixed center frequency, RBW = 1 MHz, spans >10 MHz and ≤600 MHz, and stop frequency ≤3 GHz.
- b. Display Off (:DISPlay:ENABle OFF), and 32-bit integer data format (:FORMat:DATA INT,32), if *Option A4J* is installed, disable sweep ramp, (:SYSTem:PORTs:IFVSweep:ENABle OFF), markers Off, single sweep, measured with IBM compatible PC with 550 MHz Pentium® III running Windows® NT 4.0, one meter GPIB cable, National Instruments PCI-GPIB card and NI-488.2 DLL
- c. Factory preset, auto align Off, fixed center frequency, RBW = 1 MHz, and span = 20 MHz, stop frequency ≤3 GHz, average of 100 measurements.
- d. Factory preset, auto align Off, RBW = 1 MHz, span = 20 MHz, stop frequency ≤3 GHz, center frequency tune step size = 50 MHz.

	Specifications	Supplemental Information
Data Storage		
Internal ^a		8.0 MB, nominal
External (10 to 40 °C)		3.5" 1.44 MB, MS-DOS® compatible floppy disk

- a. For serial numbers prior to US41440000 or MY41440000, 1 MB without Option B72, 8 MB with Option B72.

	Specifications	Supplemental Information
Memory Usage		
State		20 kB ^a , nominal
State plus 401-point trace		21 kB ^a , nominal
Applications memory usage		
8590 Compatibility (<i>Option 290</i>)		0.7 MB, nominal

- a. The size of state will increase depending on installed applications.

	Specifications	Supplemental Information
Demod Tune and Listen		Internal speaker, front-panel earphone jack and front-panel volume control.

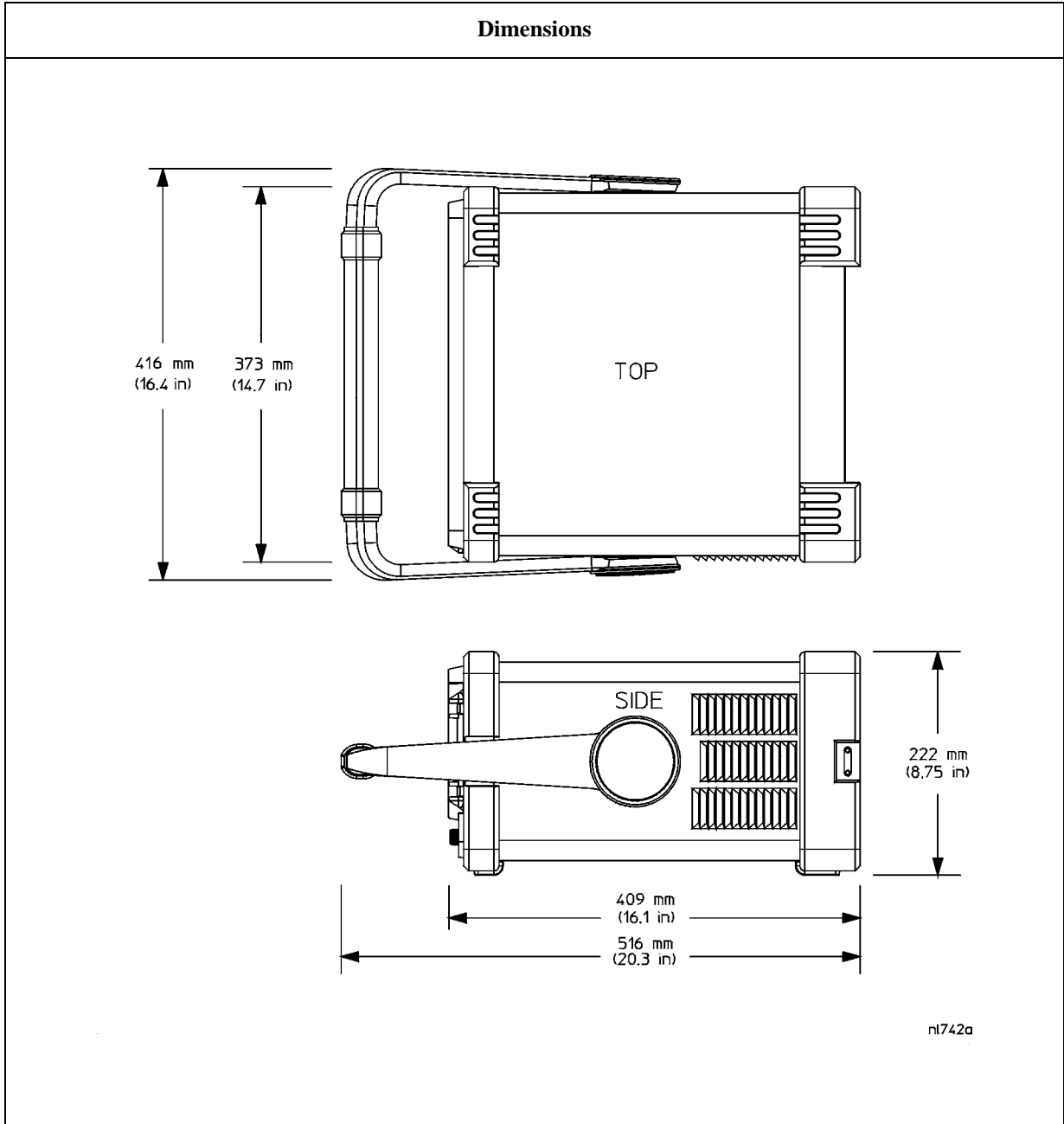
Agilent E4408B Specifications and Characteristics
General

	Specifications	Supplemental Information
Demod <i>(Option A4J)</i>	AM	An uncalibrated demodulated signal is available on the AUX VIDEO OUT connector at the rear panel.

	Specifications	Supplemental Information
Weight (without options) Net Shipping		17.1 kg (37.7 lb), characteristic 31.9 kg (70.3 lb), characteristic

	Specifications	Supplemental Information
Display ^a Resolution	640 × 480	

- a. The LCD display is manufactured using high precision technology. However, there may be up to six bright points (white, blue, red or green in color) that constantly appear on the LCD screen. These points are normal in the manufacturing process and do not affect the measurement integrity of the product in any way.



Inputs and Outputs

Front Panel

	Specifications	Supplemental Information
INPUT 50 Ω Connector <i>(Option BAB)</i> Impedance	Type-N female APC 3.5 male	50 Ω , nominal

	Specifications	Supplemental Information
RF OUT 50 Ω, (Option 1DN) Connector Impedance	Type-N female	50 Ω , nominal

	Specifications	Supplemental Information
AMPTD REF OUT^a Connector Impedance Frequency Frequency Accuracy 50 Ω Amplitude ^c	BNC female	Amplitude Reference 50 Ω , nominal 50 MHz Frequency reference error ^b -20 dBm, nominal

- Turn the amplitude reference on/off by pressing the keys: **Input/Output, Amptd Ref Out**.
- Frequency reference error = (aging rate \times period of time since adjustment + settability + temperature stability).
- The internal amplitude reference actual power is stored internally.

	Specifications	Supplemental Information
PROBE POWER Voltage/Current		+15 Vdc, $\pm 7\%$ at 150 mA max., characteristic -12.6 Vdc $\pm 10\%$ at 150 mA max., characteristic

	Specifications	Supplemental Information
EXT KEYBOARD^a		Used for entering screen titles and filenames only. Interface compatible with most IBM-compatible PC keyboards.
Connector	6-pin mini-DIN	

a. The feature is not implemented in firmware revisions prior to A.04.00.

	Specifications	Supplemental Information
Speaker		Front panel knob controls volume

	Specifications	Supplemental Information
Headphone		Front panel knob controls volume
Connector	3.5 mm (1/8 inch) miniature audio jack	
Power Output		0.2 W into 4 Ω , characteristic

Rear Panel

	Specifications	Supplemental Information
10 MHz REF OUT		
Connector	BNC female	
Impedance		50 Ω , nominal
Output Amplitude		>0 dBm, characteristic

	Specifications	Supplemental Information
10 MHz REF IN		
Connector	BNC female	Note: Analyzer noise sidebands and spurious response performance may be affected by the quality of the external reference used.
Impedance		50 Ω , nominal
Input Amplitude Range		-15 to +10 dBm, characteristic
Frequency		10 MHz, nominal

Agilent E4408B Specifications and Characteristics
Inputs and Outputs

	Specifications	Supplemental Information
GATE TRIG/EXT TRIG IN		
Connector	BNC female	
External Trigger Input		
Trigger Level		Selectable positive or negative edge initiates sweep in EXT TRIG mode (5 V TTL)

	Specifications	Supplemental Information
GATE/HI SWP OUT		
Connector	BNC female	
High Sweep Output		
Level		High = sweep ^a ; Low = retrace (5 V TTL)

a. High sweep may be high longer than the indicated sweep times.

	Specifications	Supplemental Information
VGA OUTPUT		
Connector	VGA compatible, 15-pin mini D-SUB	
Format		VGA (31.5 kHz horizontal, 60 Hz vertical sync rates, non-interlaced) Analog RGB
Resolution	640 × 480	

	Specifications	Supplemental Information
AUX IF OUT <i>(Option A4J)</i>		RBW ≥ 1 kHz
Connector	BNC female	
Frequency		21.4 MHz, nominal
Amplitude (for signal at reference level and for reference levels – input attenuation of –10 to –70 dBm)		–10 dBm (uncorrected), characteristic
Impedance		50 Ω, nominal

	Specifications	Supplemental Information
AUX VIDEO OUT <i>(Option A4J)</i> Connector Amplitude Range (into >10 k Ω)	BNC female	RBW \geq 1 kHz 0 to 1 V (uncorrected), characteristic

	Specifications	Supplemental Information
HI SWP IN <i>(Option A4J)</i> Connector Input	BNC female	Open collector, low resets and holds the sweep (5 V TTL)

	Specifications	Supplemental Information
HI SWP OUT <i>(Option A4J)</i> Connector Output	BNC female	High = sweep ^a , Low = retrace (5 V TTL)

a. High sweep may be high longer than the indicated sweep times.

	Specifications	Supplemental Information
SWP OUT <i>(Option A4J)</i> Connector Amplitude	BNC female	0 to +10 V ramp, characteristic

	Specifications	Supplemental Information
PRESEL TUNE OUTPUT Connector Load Impedance (dc coupled) Range Sensitivity	BNC female	> 10 k Ω , nominal 0 to +10 V, characteristic 0.33 V/GHz of tuned frequency > 3 GHz, characteristic

Agilent E4408B Specifications and Characteristics
Inputs and Outputs

	Specifications	Supplemental Information
GPIB Interface (<i>Option A4H</i>) Connector GPIB Codes	IEEE-488 bus connector	SH1, AH1, T6, SR1, RL1, PP0, DC1, C1, C2, C3 and C28

	Specifications	Supplemental Information
Serial Interface (<i>Option IAX</i>) Connector	9-pin D-SUB male	RS-232

	Specifications	Supplemental Information
Parallel Interface (<i>Option A4H or IAX</i>) Connector	25-pin D-SUB female	Printer port only

Regulatory Information

CAUTION This product is designed for use in Installation Category II and Pollution Degree 2 per IEC 1010 and 664 respectively.

NOTE This product has been designed and tested in accordance with accepted industry standards, and has been supplied in a safe condition. The documentation contains information and warnings that must be followed by the user to ensure safe operation and to maintain the product in a safe condition.



The CE mark is a registered trademark of the European Community.



The C-Tick mark is a registered trademark of the Australian Spectrum Management Agency.



This ISM device complies with Canadian ICES-001. Cet appareil ISM est conforme a la norme NMB du Canada.

This is also a symbol of an Industrial Scientific and Medical Group 1 Class A product (CISPR 11, Clause 4).



The CSA mark is a registered trademark of the CSA International.



This symbol indicates separate collection for electrical and electronic equipment mandated under EU law as of August 13, 2005. All electric and electronic equipment are required to be separated from normal waste for disposal (Reference WEEE Directive 2002/96/EC).



Indicates the time period during which no hazardous or toxic substance elements are expected to leak or deteriorate during normal use. Forty years is the expected useful life of the product.



This symbol on all primary and secondary packaging indicates compliance to China standard GB 18455-2001.

Declaration of Conformity

A copy of the Manufacturer's European Declaration of Conformity for this instrument can be obtained by contacting your local Agilent Technologies sales representative.

Statement of Compliance

This instrument has been designed and tested in accordance with CAN/CSA 22.2 No. 61010-1-04 & UL Std. No. 61010-1 (2nd Edition).

About This Chapter

This chapter contains specifications and characteristics for the Agilent E4411B spectrum analyzer. The distinction between specifications and characteristics is described as follows.

- Specifications describe the performance of parameters covered by the product warranty. (The temperature range is 0 °C to 55 °C, unless otherwise noted.)
- Characteristics describe product performance that is useful in the application of the product, but is not covered by the product warranty.
- Typical performance describes additional product performance information that is not covered by the product warranty. It is performance beyond specification that 80% of the units exhibit with a 95% confidence level over the temperature range 20 to 30 °C. Typical performance does not include measurement uncertainty.
- Nominal values indicate the expected performance, or describe product performance that is useful in the application of the product, but is not covered by the product warranty.

The following conditions must be met for the analyzer to meet its specifications.

- o The analyzer is within the one year calibration cycle.
- o If **Auto Align All** is selected:
 - After 2 hours of storage within the operating temperature range.
 - 5 minutes after the analyzer is turned on with sweep times less than 4 seconds.
- o If **Auto Align Off** is selected:
 - When the analyzer is at a constant temperature, within the operating temperature range, for a minimum of 90 minutes.
 - After the analyzer is turned on for a minimum of 90 minutes and **Align Now All** has been run.
 - When **Align Now All** is run:
 - Every hour
 - If the ambient temperature changes more than 3 °C
 - If the 10 MHz reference changes
- o If **Auto Align All but RF** is selected:
 - When the analyzer is at a constant temperature, within the operating temperature range, for a minimum of 90 minutes.
 - After the analyzer is turned on for a minimum of 90 minutes and **Align Now RF** has been run.

— When **Align Now RF** is run:

- Every hour
- If the ambient temperature changes more than 3 °C

Frequency

	Specifications	Supplemental Information
Frequency Range		
50 Ω	9 kHz to 1.5 GHz	
75 Ω (<i>Option 1DP</i>)	1 MHz to 1.5 GHz	

	Specifications	Supplemental Information
Frequency Reference		
Aging Rate	$\pm 2 \times 10^{-6}$ /year	$\pm 1.0 \times 10^{-7}$ /day, characteristic
Settability	$\pm 5 \times 10^{-7}$	
Temperature Stability	$\pm 5 \times 10^{-6}$	

	Specifications	Supplemental Information
Frequency Readout Accuracy		
(Start, Stop, Center, Marker)	$\pm((\text{frequency indication} \times \text{frequency reference error}^a) + 0.75\% \text{ of span} + 15\% \text{ of RBW} + 10 \text{ Hz})$	

a. Frequency reference error = (aging rate \times period of time since adjustment + settability + temperature stability).

	Specifications	Supplemental Information
Marker Frequency Counter		
Resolution	Selectable from 1 Hz to 100 kHz	
Accuracy ^a	$\pm(\text{marker frequency} \times \text{frequency reference error}^b + \text{counter resolution})$	

a. Marker level to displayed noise level > 25 dB, RBW/ Span \geq 0.002, frequency offset = 0 Hz.

b. Frequency reference error = (aging rate \times period of time since adjustment + settability + temperature stability).

	Specifications	Supplemental Information
Frequency Span		
Range	0 Hz (zero span), 100 Hz to 1.5 GHz	

	Specifications	Supplemental Information
Resolution	2 Hz	
Accuracy	±1.0% of span	

	Specifications	Supplemental Information
Sweep Time		
Range	4 ms to 4000 s ^a	50 ms is the minimum sweep time
Tracking Generator On (Option 1DN or 1DQ)		
Accuracy (Span = 0 Hz)		
4 ms to 4000 s ^a	±1%	
Sweep Trigger ^b	Free Run, Single, Line, Video ^c , External, Delayed, Offset ^d	
Delayed Trigger ^e		
Range	1 μs to 400 s	
Resolution	$\frac{\text{delay in seconds}}{65000}$ rounded up to nearest μs	
Accuracy	±(500 ns + (0.01% of delay))	
Offset Trigger ^d		
Resolution	$\frac{\text{sweep time}}{400}$	
Range	±327 ms to ±323 ks	Where ST = sweep time $\frac{-32766 \times ST}{400}$ to $\frac{32365 \times ST}{400}$

- a. For firmware revisions prior to A.04.00, 5 ms to 2000 s.
- b. Auto align is suspended in video, external, and delayed trigger modes while waiting for a trigger event to occur.
- c. Unavailable when RBW ≤ 300 Hz (Option 1DR).
- d. For firmware revision A.04.00 or later.
- e. Delayed trigger is available with line and external trigger.

	Specifications	Supplemental Information
Sweep (trace) Points	401	

Agilent E4411B Specifications and Characteristics
Frequency

	Specifications	Supplemental Information
Resolution Bandwidth (RBW)		
Range		
–3 dB bandwidth	1 kHz to 3 MHz, in 1-3-10 sequence, 5 MHz	
<i>(Option 1DR)</i>	Adds 100, 300 Hz ^a	
–6 dB bandwidth (EMI)	9 kHz and 120 kHz	
<i>(Option 1DR)</i>	Add 200 Hz ^a	
Accuracy		
100 Hz to 300 Hz (–3 dB) RBW <i>(Option 1DR)</i>	±10%	
1 kHz to 3 MHz (–3 dB) RBW	±15%	
5 MHz (–3 dB) RBW	±30%	
9 kHz, 120 kHz (–6 dB) RBW (EMI)	±20%	
200 Hz (–6 dB) RBW (EMI) <i>(Option 1DR)</i>	±10%	
Shape		
100 Hz to 300 Hz RBW <i>(Option 1DR)</i>		Digital, approximately Gaussian shape
1 kHz to 5 MHz RBW		Synchronously tuned four poles, approximately Gaussian shape
Selectivity (60 dB/3 dB bandwidth ratio)		
100 Hz to 300 Hz RBW <i>(Option 1DR)</i>		<5:1, nominal
1 kHz to 5 MHz RBW		<15:1, nominal

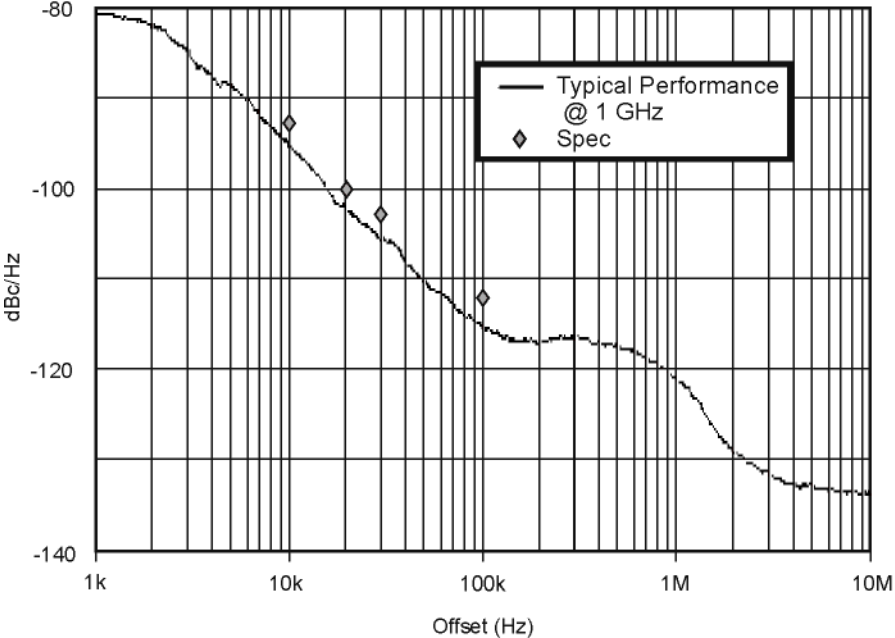
a. Only available in spans ≤5 MHz, sweep times ≥ 4 ms, and not usable with tracking generator on *(Option 1DN, or Option 1DQ)*.

	Specifications	Supplemental Information
Video Bandwidth (VBW) (–3 dB)		
Range		
<i>(Option 1DR)</i>	30 Hz to 1 MHz in 1-3-10 sequence	3 MHz, characteristic
<i>(Option 1DR)</i>	Adds 1, 3, 10 Hz for RBW's <1 kHz	

	Specifications	Supplemental Information
Accuracy Shape		<p>$\pm 30\%$, characteristic</p> <p>Post detection, single pole low-pass filter used to average displayed noise</p> <p>Video bandwidths below 30 Hz are digital bandwidths with anti-aliasing filtering.</p>

	Specifications	Supplemental Information
<p>Stability</p> <p>Noise Sidebands (Offset from CW signal with 1 kHz RBW, 30 Hz VBW and sample detector)</p> <p style="padding-left: 20px;">≥ 1 kHz (<i>Option IDR</i>)</p> <p style="padding-left: 20px;">≥ 10 kHz</p> <p style="padding-left: 20px;">≥ 20 kHz</p> <p style="padding-left: 20px;">≥ 30 kHz</p> <p style="padding-left: 20px;">≥ 100 kHz</p> <p>Residual FM</p> <p style="padding-left: 20px;">1 kHz RBW, 1 kHz VBW</p> <p style="padding-left: 20px;">100 Hz RBW, 100 Hz VBW (<i>Option IDR</i>)</p> <p>System-Related Sidebands, offset from CW signal</p> <p style="padding-left: 20px;">≥ 30 kHz</p>	<p style="padding-left: 20px;">≤ -93 dBc/Hz</p> <p style="padding-left: 20px;">≤ -100 dBc/Hz</p> <p style="padding-left: 20px;">≤ -104 dBc/Hz</p> <p style="padding-left: 20px;">≤ -113 dBc/Hz</p> <p style="padding-left: 20px;">≤ 150 Hz p-p in 100 ms</p> <p style="padding-left: 20px;">≤ -65 dBc</p>	<p style="padding-left: 20px;">≤ -79 dBc/Hz, typical</p> <p style="padding-left: 20px;">≤ -95 dBc/Hz, typical</p> <p style="padding-left: 20px;">≤ -102 dBc/Hz, typical</p> <p style="padding-left: 20px;">≤ -106 dBc/Hz, typical</p> <p style="padding-left: 20px;">≤ -116 dBc/Hz, typical</p> <p style="padding-left: 20px;">≤ 30 Hz p-p in 20 ms, characteristic</p>

Noise Sidebands Normalized to 1 Hz Versus Offset from Carrier



wf720b

Amplitude

Amplitude specifications do not apply for the negative peak detector mode.

	Specifications	Supplemental Information
Measurement Range	Displayed Average Noise Level to Maximum Safe Input Level	
Input Attenuator Range	0 to 60 dB, in 5 dB steps	

	Specifications	Supplemental Information
Maximum Safe Input Level		
Input attenuator setting ≥15 dB		Signals > +33 dBm (2 W) or +79 dBmV (1 W) (<i>Option 1DP</i>) nominal may trigger input protection, which disconnects the input path.
Average Continuous Power or Peak Pulse Power		
50 Ω	+30 dBm (1 W)	
75 Ω (<i>Option 1DP</i>)	+75 dBmV (0.4 W)	
dc	100 Vdc	dc transients may momentarily trigger input protection.
Input attenuator setting <15 dB		Signals > +6 dBm (4 mW) or +61 dBmV (15 mW) (<i>Option 1DP</i>) nominal may trigger input protection, which automatically increases input attenuation to 15 dB.
Average Continuous Power or Peak Pulse Power		
50 Ω	+3 dBm (2 mW)	
75 Ω (<i>Option 1DP</i>)	+59 dBmV (10 mW)	
dc	100 Vdc	dc transients may trigger input protection.

	Specifications	Supplemental Information
1 dB Gain Compression		
Total power at input mixer ^{a,b}		
50 MHz to 1.5 GHz		
50 Ω	0 dBm	
75 Ω (<i>Option 1DP</i>)	+46.75 dBmV	

a. Mixer power level (dBm) = input power (dBm) – input attenuation (dB).

Agilent E4411B Specifications and Characteristics
Amplitude

- b. For resolution bandwidths 1 kHz to 30 kHz, the maximum input signal amplitude must be \leq reference level +10 dB. (*Option 1DP: For resolution bandwidths 1 kHz to 30 kHz, the maximum input signal amplitude must be \leq reference level +5 dB.*)

	Specifications		Supplemental Information	
Displayed Average Noise Level (Input terminated, 0 dB attenuation, sample detector, Reference Level = -70 dBm) (75 Ω : Reference Level = -21.24 dBmV) 50 Ω	1 kHz RBW 30 Hz VBW	100 Hz RBW 1 Hz VBW (<i>Option 1DR</i>)	1 kHz RBW 30 Hz VBW (typical)	100 Hz RBW 1 Hz VBW (<i>Option 1DR</i>) (typical)
400 kHz to 10 MHz	≤ -115 dBm	≤ -123 dBm	≤ -119 dBm	≤ -129 dBm
10 MHz to 500 MHz	≤ -119 dBm	≤ -127 dBm	≤ -121 dBm	≤ -131 dBm
500 MHz to 1.0 GHz	≤ -117 dBm	≤ -125 dBm	≤ -121 dBm	≤ -130 dBm
1.0 GHz to 1.5 GHz	≤ -113 dBm	≤ -121 dBm	≤ -118 dBm	≤ -128 dBm
75 Ω , (<i>Option 1DP</i>)				
1 MHz to 10 MHz	≤ -63 dBmV	≤ -71 dBmV	≤ -69 dBmV	≤ -79 dBmV
10 MHz to 500 MHz	≤ -65 dBmV	≤ -73 dBmV	≤ -70 dBmV	≤ -80 dBmV
500 MHz to 1.0 GHz	≤ -60 dBmV	≤ -68 dBmV	≤ -66 dBmV	≤ -75 dBmV
1.0 GHz to 1.5 GHz	≤ -53 dBmV	≤ -61 dBmV	≤ -62 dBmV	≤ -71 dBmV

	Specifications	Supplemental Information
Display Range		
Log Scale	Ten divisions displayed; 0.1, 0.2, 0.5 dB/division and 1 to 20 dB/division in 1 dB steps	
RBW \geq 1 kHz	Calibrated 0 to -85 dB from Reference Level	
RBW \leq 300 Hz (<i>Option 1DR</i>)	Calibrated 0 to -120 dB ^a from Reference Level	
Linear Scale	Ten divisions	
Scale Units	dBm, dBmV, dB μ V, dB μ A, A, V, and W	

- a. 0 to -70 dB range when span = 0 Hz, or when IF Gain fixed:
(:DISPlay:WINDow:TRACe:Y[:SCALe]:LOG:RANGe:AUTO OFF).

	Specifications	Supplemental Information
Marker Readout Resolution Log scale RBW \geq 1 kHz 0 to -85 dB from ref level RBW \leq 300 Hz (<i>Option 1DR</i>) 0 to -120 dB from ref level Linear scale	0.04 dB 0.04 dB 0.01% of Reference Level	

	Specifications	Supplemental Information
Frequency Response^a 50 Ω 9 kHz to 1.5 GHz 10 dB attenuation 20 to 30 °C 0 to 55 °C 0 dB, 5 dB, 15 to 60 dB attenuation 75 Ω (<i>Option 1DP</i>) 1 MHz to 1.5 GHz 10 dB attenuation 20 to 30 °C 0 to 55 °C 0, 5, 15 to 50 dB attenuation 55 to 60 dB attenuation 1 MHz to 1 GHz 1 GHz to 1.5 GHz	± 0.5 dB ± 1.0 dB ± 0.5 dB ± 1.0 dB	± 1.0 dB, characteristic ± 1.0 dB, characteristic ± 1.0 dB, characteristic ± 1.25 dB, characteristic

a. Frequency response values are referenced to the amplitude at 50 MHz.

	Specifications	Supplemental Information
Input Attenuation Switching Uncertainty at 50 MHz Attenuator Setting		

Agilent E4411B Specifications and Characteristics
Amplitude

	Specifications	Supplemental Information
0 dB to 5 dB	±0.3 dB	
10 dB	Reference	
15 dB	±0.3 dB	
20 to 60 dB attenuation	±(0.1 dB + 0.01 × Attenuator Setting)	

	Specifications	Supplemental Information
Absolute Amplitude Accuracy		
At reference settings ^a	±0.4 dB	
Overall Amplitude Accuracy ^b		
20 to 30 °C	± (0.6 dB + Absolute Frequency Response)	

- a. Settings are: reference level -25 dBm; (75 Ω reference level +28.75 dBmV); input attenuation 10 dB; center frequency 50 MHz; RBW 1 kHz; VBW 1 kHz; amplitude scale linear or log; span 2 kHz; sweep time coupled, signal at reference level.
- b. For reference level 0 to -50 dBm; input attenuation 10 dB; RBW 1 kHz; VBW 1 kHz; amplitude scale log, log range 0 to -50 dB from reference level; sweep time coupled; signal input 0 to -50 dBm; span ≤20 kHz.

	Specifications	Supplemental Information
RF Input VSWR (at tuned frequency)		
Attenuator setting		
50 Ω		
0 to 5 dB attenuation		≤1.55:1, characteristic
10 to 60 dB attenuation		≤1.35:1, characteristic
75 Ω		
1 MHz to 1.1 GHz		
0 to 5 dB attenuation		≤1.55:1, characteristic
10 to 60 dB attenuation		≤1.35:1, characteristic
1.1 GHz to 1.5 GHz		
0 to 60 dB attenuation		≤2.0:1, characteristic
Input protection is tripped		Open input, characteristic
Amptd Ref is On		Open input, characteristic

	Specifications	Supplemental Information
Auto Align All is selected		Open input momentarily during retrace, characteristic

	Specifications	Supplemental Information
Auto Alignment^a Sweep-to-sweep variation		±0.1 dB, characteristic

a. Set **Auto Align** to **Off** and use **Align Now, All** to eliminate this variation.

	Specifications	Supplemental Information
Resolution Bandwidth Switching Uncertainty (at Reference Level)		
1 kHz RBW	Reference	
3 kHz to 3 MHz RBW	±0.3 dB	
5 MHz RBW	±0.6 dB	
100 Hz to 300 Hz RBW (<i>Option 1DR</i>)	±0.3 dB	

	Specifications	Supplemental Information
Reference Level		
Range	–149.9 dBm to maximum mixer level + attenuator setting	
Resolution		
Log Scale	±0.1 dB	
Linear Scale	±0.12% of Reference Level	
50 Ω, Accuracy (at a fixed frequency, a fixed attenuator, and referenced to –35 dBm)		
Reference Level (dBm) – input attenuator setting (dB)		
–10 dBm to > –60 dBm	±0.3 dB	
–60 dBm to > –85 dBm	±0.5 dB	
–85 dBm to –90 dBm	±0.7 dB	

Agilent E4411B Specifications and Characteristics
Amplitude

	Specifications	Supplemental Information
<p>75 Ω (<i>Option 1DP</i>), Accuracy (at a fixed frequency, a fixed attenuator, and referenced to 18.75 dBmV)</p> <p>Reference Level (dBmV) – input attenuator setting (dB)</p> <p>38.75 dBmV to > -11.25 dBmV</p> <p>-11.25 dBmV to > -26.25 dBmV</p> <p>-26.25 dBmV to -41.25 dBmV</p>	<p>± 0.3 dB</p> <p>± 0.5 dB</p> <p>± 0.7 dB</p>	

	Specifications	Supplemental Information
<p>Display Scale Switching Uncertainty</p> <p>Switching between Linear and Log</p> <p>Log Scale Switching</p>	<p>± 0.15 dB at reference level</p> <p>No error</p>	

	Specifications	Supplemental Information
<p>Display Scale Fidelity</p> <p>Log Maximum Cumulative</p> <p>RBW ≥ 1 kHz</p> <p>0 to 85 dB Below Reference Level</p> <p>RBW ≤ 300 Hz (<i>Option 1DR</i>)</p> <p>Span > 0 Hz</p> <p>Auto range On</p> <p>0 to 98 dB^a below reference level</p> <p>> 98 to 120 dB below reference level</p> <p>Auto range Off^b</p> <p>0 to 60 dB^a below reference level</p>	<p>$\pm(0.3 \text{ dB} + 0.01 \times \text{dB from reference level})$</p> <p>$\pm(0.3 \text{ dB} + 0.01 \times \text{dB from reference level})$</p> <p>$\pm(0.3 \text{ dB} + 0.015 \times \text{dB from reference level})$</p>	<p>± 2.0 dB, characteristic</p>

	Specifications	Supplemental Information
> 60 to 70 dB below reference level	±1.5 dB	
Span = 0 Hz		
0 to 60 dB ^a below reference level	±(0.3 dB + 0.015 × dB from reference level)	
> 60 to 70 dB below reference level	±1.5 dB	
Log Incremental Accuracy		
0 to 80 dB ^{a,c} below reference level	±0.4 dB/4 dB	
Linear Accuracy	±2% of Reference Level	

- a. 0 to 30 dB for RBW = 200 Hz
- b. The SCPI command for auto range off is:
(:DISPlay:WINDow:TRACe:Y[:SCALe]:LOG:RANGe:AUTO OFF)
- c. 0 to 50 dB for RBWs ≤ 300 Hz and span = 0 Hz, or when auto ranging is off.

	Specifications	Supplemental Information
Spurious Responses		
50 Ω		
Second Harmonic Distortion		
Input Signal		
2 MHz to 750 MHz	< -75 dBc for -40 dBm signal at input mixer ^a	+35 dBm SHI (second harmonic intercept)
Third Order Intermodulation Distortion		
2 MHz to 10 MHz		+14.5 dBm TOI (third order intercept), typical
10 MHz to 1.5 GHz	< -75 dBc for two -30 dBm signals at input mixer ^a and >50 kHz separation.	+7.5 dBm TOI
Other Input Related Spurious		
30 kHz ≤ offset ≤ 1200 MHz	< -65 dBc for -20 dBm signals at input mixer ^a ≤ 1.5 GHz.	
Offset > 1200 MHz	< -45 dBc for -20 dBm signal at input mixer ^a ≤ 1.5 GHz.	
Noise Floor Degradation		

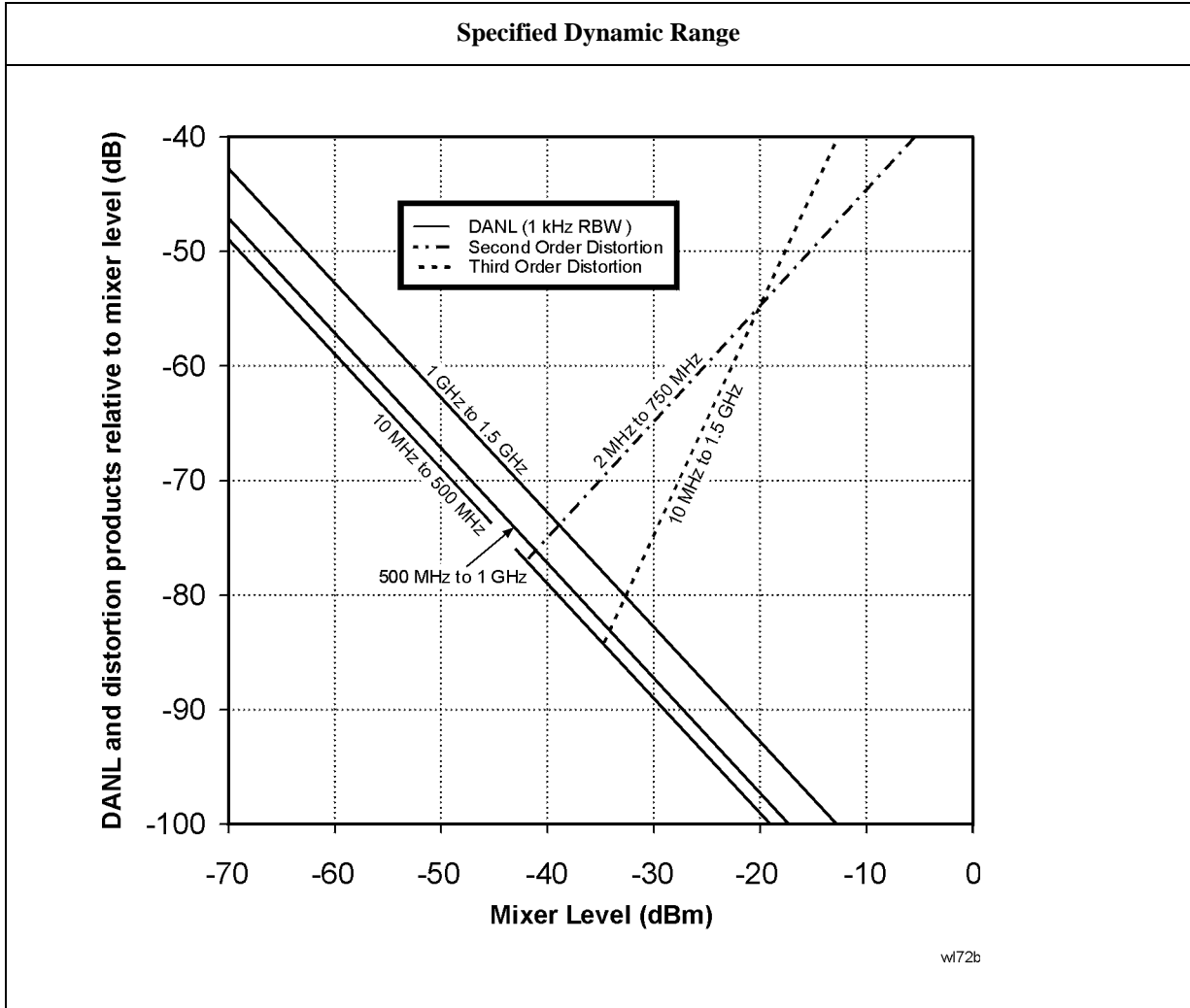
Agilent E4411B Specifications and Characteristics
Amplitude

	Specifications	Supplemental Information
Input frequency = 1210.7 MHz ± RBW		< -62 dBc for -45 dBm signal at input mixer ^a

a. Mixer Power Level (dBm) = Input Power (dBm) – Input Attenuation (dB).

	Specifications	Supplemental Information
Spurious Responses <i>75 Ω, (Option 1DP)</i> Second Harmonic Distortion Input signal 2 MHz to 750 MHz	< -75 dBc for +8.75 dBmV signal at input mixer ^a	
Third Order Intermodulation Distortion 10 MHz to 1.5 GHz	< -75 dBc for two +18.75 dBmV signals at input mixer ^a and >50 kHz separation.	
Other Input Related Spurious 30 kHz ≤ offset ≤1200 MHz	< -65 dBc for +28.75 dBmV signal at input mixer ^a ≤1.5 GHz.	
Offset >1200 MHz	< -45 dBc, for +28.75 dBmV signal at input mixer ^a ≤1.5 GHz.	
Noise Floor Degradation Input frequency = 1210.7 MHz ± RBW		< -62 dBc, for +3.75 dBmV signal at input mixer ^a

a. Mixer Power Level (dBmV) = Input Power (dBmV) – Input Attenuation (dB)



	Specifications	Supplemental Information
Residual Responses (Input terminated and 0 dB attenuation) 50 Ω 150 kHz to 1.5 GHz 75 Ω, (<i>Option 1DP</i>) 1 MHz to 1.5 GHz	< -90 dBm < -36 dBmV	

Options

Tracking Generator (Option 1DN or 1DQ)

	Specifications	Supplemental Information
Warm-up	5 minutes	

	Specifications	Supplemental Information
Output Frequency Range		
50 Ω (Option 1DN)	9 kHz to 1.5 GHz	
75 Ω (Option 1DQ)	1 MHz to 1.5 GHz	

	Specifications	Supplemental Information
Minimum Resolution BW	1 kHz	Not usable with resolution bandwidths ≤ 300 Hz (Option 1DR)

	Specifications	Supplemental Information
Output Power Level		
20 to 30 $^{\circ}\text{C}$		
Range		
50 Ω (Option 1DN)	0 to -70 dBm	
75 Ω (Option 1DQ)	$+42.75$ to -27.25 dBmV	
Resolution	0.1 dB	
Absolute Accuracy (at 50 MHz with coupled source attenuator)		
50 Ω (Option 1DN) referenced to 0 dBm	± 0.5 dB	
75 Ω (Option 1DQ) referenced to $+42.75$ dBmV	± 1.5 dB	
Vernier		
Range	10 dB	
Accuracy (with coupled source attenuator)		

	Specifications	Supplemental Information
50 Ω (<i>Option 1DN</i>) referenced to 0 dBm	± 0.75 dB, for 0 to -10 dBm	
75 Ω (<i>Option 1DQ</i>) referenced to 42.75 dBmV	± 0.9 dB, for +42.75 to +32.75 dBmV	
Output Attenuator Range	0 to 60 dB in 10 dB steps	

	Specifications	Supplemental Information
Maximum Safe Reverse Level		
50 Ω (<i>Option 1DN</i>) ^a		+20 dBm (0.1 W), 100 Vdc, characteristic
75 Ω (<i>Option 1DQ</i>) ^a		+69 dBmV (0.1 W), 100 Vdc, characteristic

a. dc transients may trigger reverse power protection.

	Specifications	Supplemental Information
Output Power Sweep		
20 to 30 °C		
Range		
50 Ω (<i>Option 1DN</i>)	(-15 to 0 dBm) – (Source Attenuator Setting)	
75 Ω (<i>Option 1DQ</i>)	(27.75 to 42.75 dBmV) – (Source Attenuator Setting)	
Resolution	0.1 dB	
Accuracy (zero span)		
50 Ω (<i>Option 1DN</i>)	<1.5 dB peak-to-peak	
75 Ω (<i>Option 1DQ</i>)	<1.8 dB peak-to-peak	

	Specifications	Supplemental Information
Output Flatness		
Referenced to 50 MHz, 0 dB attenuator		
50 Ω (<i>Option 1DN</i>)		
9 kHz to 10 MHz	± 2 dB	
10 MHz to 1.5 GHz	± 1.5 dB	

Agilent E4411B Specifications and Characteristics
Options

	Specifications	Supplemental Information
75 Ω (Option 1DQ)		
1 MHz to 10 MHz	± 2.5 dB	
10 MHz to 1.5 GHz	± 2 dB	

	Specifications	Supplemental Information
Spurious Outputs		
50 Ω (Option 1DN) (0 dBm output)		
75 Ω (Option 1DQ) (+42.75 dBmV output)		
Harmonic Spurs		
9 kHz to 20 MHz	< -20 dBc	
20 MHz to 1.5 GHz	< -25 dBc	
Non-harmonic Spurs	< -35 dBc	

	Specifications	Supplemental Information
Dynamic Range	Maximum Output Power Level – Displayed Average Noise Level	

	Specifications	Supplemental Information
Output Tracking		
Drift		No error
Swept Tracking Error		No error for coupled sweep times

	Specifications	Supplemental Information
RF Power-Off Residuals		
50 Ω (Option 1DN) 100 kHz to 1.5 GHz		< -120 dBm, characteristic
75 Ω (Option 1DQ) 1 MHz to 1.5 GHz		< 65 dBmV, characteristic

	Specifications	Supplemental Information
Output Attenuator Repeatability		± 0.2 dB, characteristic

	Specifications	Supplemental Information
Output VSWR		
50 Ω (Option 1DN)		<2.5:1, characteristic
75 Ω (Option 1DQ)		<2.0:1, characteristic

	Specifications	Supplemental Information
Output Attenuator Accuracy		
0 dB	Reference	
10 dB		± 0.6 dB, characteristic
20 dB		± 0.9 dB, characteristic
30 dB		± 1.2 dB, characteristic
40 dB		± 1.5 dB, characteristic
50 dB		± 1.8 dB, characteristic
60 dB		± 2.1 dB, characteristic

Tracking Generator Output Accuracy 50 Ω (Option 1DN)
Relative Accuracy (Referred to 0 dBm) = Output Attenuator Accuracy + Vernier Accuracy + Output Flatness
Absolute Accuracy = Relative Accuracy (Referred to 0 dBm) + Absolute Accuracy at 50 MHz

Tracking Generator Output Accuracy 75 Ω (Option 1DQ)
Relative Accuracy (Referred to +42.75 dBmV) = Output Attenuator Accuracy + Vernier Accuracy + Output Flatness
Absolute Accuracy = Relative Accuracy (Referred to +42.75 dBmV) + Absolute Accuracy at 50 MHz

General

	Specifications	Supplemental Information
Temperature Range		
Operating	0 to 55 °C	Floppy disk 10 to 40 °C
Storage	-40 to 75 °C	

	Specifications	Supplemental Information
Altitude Range		
Operating	Up to 4600 meters	

	Specifications	Supplemental Information
Humidity Range		
Operating	maximum relative humidity 80% for temperatures up to 31°C decreasing linearly to 50% relative humidity at 40°C	

	Specifications	Supplemental Information
Audible Noise (ISO 7779)		
Sound Pressure at 25 °C		<40 dBa, (<4.6 Bels power)

	Specifications	Supplemental Information
Military Specification	Has been type tested to the environmental specifications of MIL-PRF-28800F class 3.	

	Specifications	Supplemental Information
EMI Compatibility	Conducted and radiated emission is in compliance with CISPR Pub. 11/1990 Group 1 Class A.	

	Specifications	Supplemental Information
Immunity Testing		

	Specifications	Supplemental Information
Radiated Immunity		Testing was done at 3 V/m according to IEC 801-3/1984. When the analyzer tuned frequency is identical to the immunity test signal frequency, there may be signals of up to -60 dBm displayed on the screen.
Electrostatic Discharge		Air discharges of up to 8 kV were applied according to IEC 801-2/1991. Discharges to center pins of any of the connectors may cause damage to the associated circuitry.

	Specifications	Supplemental Information
Acoustic Noise Emission/Geraeuschemission		
LpA <70 dB	LpA <70 dB	
Operator position	Am Arbeitsplatz	
Normal position	Normaler Betrieb	
Per ISO 7779	Nach DIN 45635 t.19	

	Specifications	Supplemental Information
Power Requirements		
ac Operation		
Voltage, frequency	90 to 132 Vrms, 47 to 440 Hz 195 to 250 Vrms, 47 to 66 Hz	
Power Consumption, On	<300 W	
Power Consumption, Standby	<5 W	
dc Operation		
Voltage	12 to 20 Vdc	
Power Consumption	<200 W	
Power Consumption, Standby	<100 mW	

	Specifications	Supplemental Information
Measurement Speed		

Agilent E4411B Specifications and Characteristics
General

	Specifications	Supplemental Information
Local Measurement and Display Update rate ^{a,b}		≥ 35/s, characteristic
Remote Measurement and GPIB Transfer Rate ^{b,c,d} (<i>Option A4H</i>)		≥ 30/s, characteristic
RF Center Frequency Tune, Measure, and GPIB Transfer Time ^{b,c,e} (<i>Option A4H</i>)		≤ 90 ms, characteristic

- a. Factory preset, auto align Off, fixed center frequency, RBW = 1 MHz, and spans >102 MHz and ≤400 MHz.
- b. Sweeping through 425.6 MHz or 914.6 MHz will cause the measurement speed to degrade.
- c. Display Off (:DISPlay:ENABle OFF), and 32-bit integer data format (:FORMat:DATA INT,32), if *Option A4J* is installed, disable sweep ramp, (:SYSTem:PORTs:IFVSweep:ENABle OFF), markers off, single sweep, measured with IBM compatible PC with 550 MHz Pentium® III running Windows® NT 4.0, one meter GPIB cable, National Instruments PCI-GPIB card and NI-488.2 DLL.
- d. Factory preset, auto align Off, RBW = 1 MHz, span= 20 MHz, fixed center frequency, average of 100 measurements.
- e. Factory preset, auto align Off, RBW = 1 MHz, span= 20 MHz, and center frequency tune step size = 50 MHz.

	Specifications	Supplemental Information
Data Storage		
Internal ^a		8.0 MB, nominal
External (10 to 40 °C)		3.5" 1.44 MB, MS-DOS® compatible floppy disk

- a. For serial numbers prior to US41440000 or MY41440000, 1 MB without Option B72, 8 MB with Option B72.

	Specifications	Supplemental Information
Memory Usage		
State		20 kB ^a , nominal
State plus 401-point trace		21 kB ^a , nominal
Applications memory usage		
8590 Compatibility (<i>Option 290</i>)		0.7 MB, nominal

- a. The size of state will increase depending on installed applications.

	Specifications	Supplemental Information
Demod Tune and Listen		Internal speaker, front-panel earphone jack and front-panel volume control.

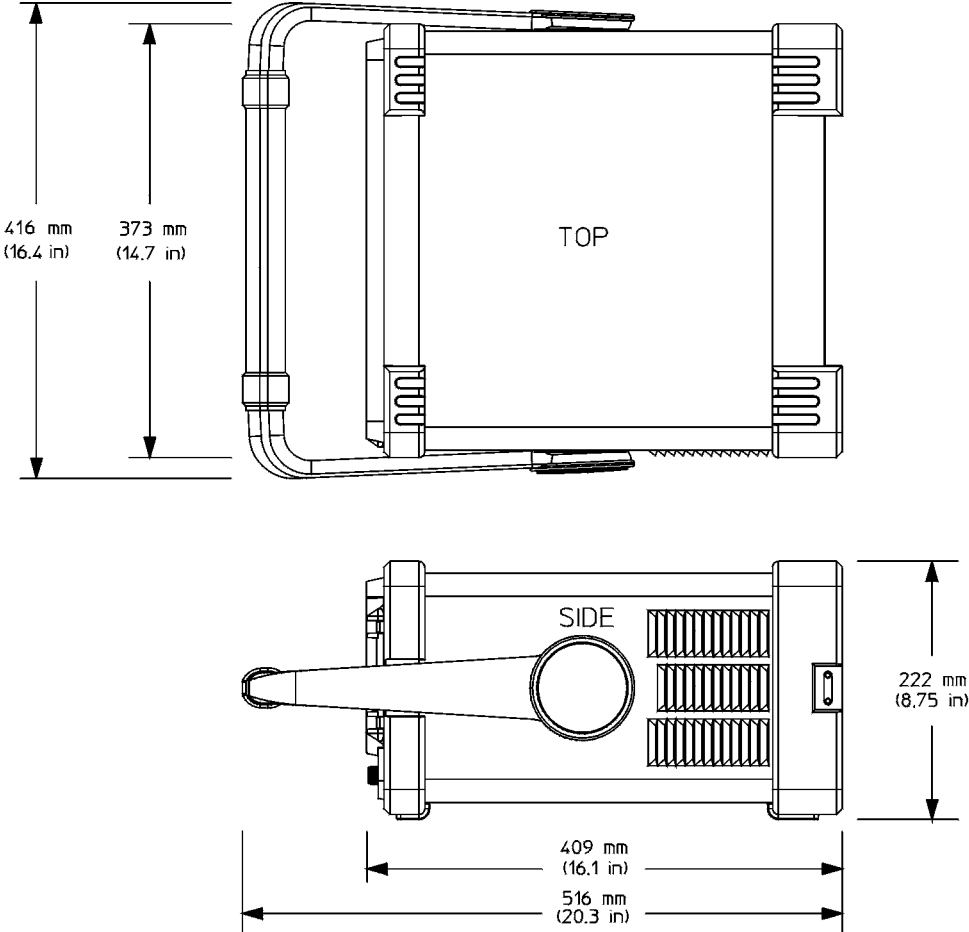
	Specifications	Supplemental Information
Demod <i>(Option A4J)</i>	AM	An uncalibrated demodulated signal is available on the AUX VIDEO OUT connector at the rear panel.

	Specifications	Supplemental Information
Weight (without options)		
Net		13.2 kg (29.1 lb), characteristic
Shipping		25.1 kg (55.4 lb), characteristic

	Specifications	Supplemental Information
Display ^a		
Resolution	640 × 480	

- a. The LCD display is manufactured using high precision technology. However, there may be up to six bright points (white, blue, red or green in color) that constantly appear on the LCD screen. These points are normal in the manufacturing process and do not affect the measurement integrity of the product in any way.

Dimensions



nl742a

Inputs and Outputs

Internal

	Specifications	Supplemental Information
Amptd Ref^a		Amplitude reference
Frequency		50 MHz
Frequency Accuracy		Frequency reference error ^b
50 Ω Amplitude		-25 dBm ^c , nominal
75 Ω Amplitude (<i>Option 1DP</i>)		+28.75 dBmV ^c , nominal

- a. Turn the amplitude reference signal on/off by pressing the keys: **Input/Output, Amptd Ref**.
- b. Frequency reference error = (aging rate \times period of time since adjustment + settability + temperature stability).
- c. The internal amplitude reference actual power is stored internally.

Front Panel

	Specifications	Supplemental Information
INPUT 50 Ω		
Connector	Type-N female	
Impedance		50 Ω , nominal
INPUT 75 Ω (<i>Option 1DP</i>)		
Connector	BNC female	
Impedance		75 Ω , nominal

	Specifications	Supplemental Information
RF OUT 50 Ω, (<i>Option 1DN</i>)		
Connector	Type-N female	
Impedance		50 Ω , nominal
RF OUT 75 Ω, (<i>Option 1DQ</i>)		
Connector	BNC female	
Impedance		75 Ω , nominal

Agilent E4411B Specifications and Characteristics
Inputs and Outputs

	Specifications	Supplemental Information
PROBE POWER Voltage/Current		+15 Vdc, $\pm 7\%$ at 150 mA max., characteristic -12.6 Vdc $\pm 10\%$ at 150 mA max., characteristic

	Specifications	Supplemental Information
EXT KEYBOARD^a Connector	 6-pin mini-DIN	Used for entering screen titles and filenames only. Interface compatible with most IBM-compatible PC keyboards.

a. The feature is not implemented in firmware revisions prior to A.04.00.

	Specifications	Supplemental Information
Speaker		Front panel knob controls volume

	Specifications	Supplemental Information
Headphone Connector Power Output	 3.5 mm (1/8 inch) miniature audio jack	Front panel knob controls volume 0.2 W into 4 Ω , characteristic

Rear Panel

	Specifications	Supplemental Information
10 MHz REF OUT Connector Impedance Output Amplitude	 BNC female	 50 Ω , nominal >0 dBm, characteristic

	Specifications	Supplemental Information
10 MHz REF IN		
Connector	BNC female	Note: Analyzer noise sidebands and spurious response performance may be affected by the quality of the external reference used.
Impedance		50 Ω , nominal
Input Amplitude Range		-15 to +10 dBm, characteristic
Frequency		10 MHz, nominal

	Specifications	Supplemental Information
GATE TRIG/EXT TRIG IN		
Connector	BNC female	
External Trigger Input		
Trigger Level		Selectable positive or negative edge initiates sweep in EXT TRIG mode (5 V TTL)

	Specifications	Supplemental Information
GATE/HI SWP OUT		
Connector	BNC female	
High Sweep Output		
Level		High = sweep ^a ; Low = retrace (5 V TTL)

a. High sweep may be high longer than the indicated sweep times.

	Specifications	Supplemental Information
VGA OUTPUT		
Connector	VGA compatible, 15-pin mini D-SUB	
Format		VGA (31.5 kHz horizontal, 60 Hz vertical sync rates, non-interlaced) Analog RGB
Resolution	640 \times 480	

Agilent E4411B Specifications and Characteristics
Inputs and Outputs

	Specifications	Supplemental Information
AUX IF OUT <i>(Option A4J)</i>		RBW \geq 1 kHz
Connector	BNC female	
Frequency		21.4 MHz, nominal
Amplitude (for signal at reference level and for reference levels – input attenuation of –10 to –70 dBm)		–10 dBm (uncorrected), characteristic
Impedance		50 Ω , nominal

	Specifications	Supplemental Information
AUX VIDEO OUT <i>(Option A4J)</i>		RBW \geq 1 kHz
Connector	BNC female	
Amplitude Range (into >10 k Ω)		0 to 1 V (uncorrected), characteristic

	Specifications	Supplemental Information
HI SWP IN <i>(Option A4J)</i>		
Connector	BNC female	
Input		Open collector, low resets and holds the sweep (5 V TTL)

	Specifications	Supplemental Information
HI SWP OUT <i>(Option A4J)</i>		
Connector	BNC female	
Output		High = sweep ^a , Low = retrace (5 V TTL)

a. High sweep may be high longer than the indicated sweep times.

	Specifications	Supplemental Information
SWP OUT <i>(Option A4J)</i>		
Connector	BNC female	

	Specifications	Supplemental Information
Amplitude		0 to +10 V ramp, characteristic

	Specifications	Supplemental Information
GPIB Interface (<i>Option A4H</i>)		
Connector	IEEE-488 bus connector	
GPIB Codes		SH1, AH1, T6, SR1, RL1, PP0, DC1, C1, C2, C3 and C28

	Specifications	Supplemental Information
Serial Interface (<i>Option 1AX</i>)		
Connector	9-pin D-SUB male	RS-232

	Specifications	Supplemental Information
Parallel Interface (<i>Option A4H or 1AX</i>)		Printer port only
Connector	25-pin D-SUB female	

Regulatory Information

CAUTION This product is designed for use in Installation Category II and Pollution Degree 2 per IEC 1010 and 664 respectively.

NOTE This product has been designed and tested in accordance with accepted industry standards, and has been supplied in a safe condition. The documentation contains information and warnings that must be followed by the user to ensure safe operation and to maintain the product in a safe condition.



The CE mark is a registered trademark of the European Community.



The C-Tick mark is a registered trademark of the Australian Spectrum Management Agency.



This ISM device complies with Canadian ICES-001. Cet appareil ISM est conforme à la norme NMB du Canada.

This is also a symbol of an Industrial Scientific and Medical Group 1 Class A product (CISPR 11, Clause 4).



The CSA mark is a registered trademark of the CSA International.



This symbol indicates separate collection for electrical and electronic equipment mandated under EU law as of August 13, 2005. All electric and electronic equipment are required to be separated from normal waste for disposal (Reference WEEE Directive 2002/96/EC).



Indicates the time period during which no hazardous or toxic substance elements are expected to leak or deteriorate during normal use. Forty years is the expected useful life of the product.



This symbol on all primary and secondary packaging indicates compliance to China standard GB 18455-2001.

Declaration of Conformity

A copy of the Manufacturer's European Declaration of Conformity for this instrument can be obtained by contacting your local Agilent Technologies sales representative.

Statement of Compliance

This instrument has been designed and tested in accordance with CAN/CSA 22.2 No. 61010-1-04 & UL Std. No. 61010-1 (2nd Edition).

