

Keysight Series N5700 System DC Power Supply

User's Guide

Legal Notices

© Keysight Technologies 2004 - 2021

No part of this document may be photocopied, reproduced, or translated to another language without the prior agreement and written consent of Keysight Technologies as governed by United States and international copyright laws.

Warranty

The material contained in this document is provided “as is,” and is subject to being changed, without notice, in future editions. Further, to the maximum extent permitted by applicable law, Keysight disclaims all warranties, either express or implied, with regard to this manual and any information contained herein, including but not limited to the implied warranties of merchantability and fitness for a particular purpose. Keysight shall not be liable for errors or for incidental or consequential damages in connection with the furnishing, use, or performance of this document or of any information contained herein. Should Keysight and the user have a separate written agreement with warranty terms covering the material in this document that conflict with these terms, the warranty terms in the separate agreement shall control.

Manual Editions

Manual Part Number: 5969-2917
Edition 9, December 2021.

Reprints of this manual containing minor corrections and updates may have the same printing date. Revised editions are identified by a new printing date.

Declaration of Conformity

Declarations of Conformity for this product and for other Keysight products may be downloaded from the Web. Go to <http://www.keysight.com/go/conformity> and click on “Declarations of Conformity.” You can then search by product number to find the latest Declaration of Conformity.

Waste Electrical and Electronic Equipment (WEEE) Directive 2002/96/EC

This product complies with the WEEE Directive 2002/96/EC marketing requirement. The affixed product label (see below) indicates that you must not discard this electrical/electronic product in domestic household waste.

Product Category: With reference to the equipment types in the WEEE directive Annex 1, this product is classified as “Monitoring and Control instrumentation” product.

Do not dispose in domestic household waste.

To return unwanted products, contact our local Keysight office, or see <http://about.keysight.com/en/companyinfo/environment/takeback.shtml> for more information.



Certification

Keysight Technologies certifies that this product met its published specifications at time of shipment from the factory. Keysight Technologies further certifies that its calibration measurements are traceable to the United States National Institute of Standards and Technology, to the extent allowed by the Institute's calibration facility, and to the calibration facilities of other International Standards Organization members.

Exclusive Remedies

THE REMEDIES PROVIDED HEREIN ARE THE CUSTOMER'S SOLE AND EXCLUSIVE REMEDIES. KEYSIGHT TECHNOLOGIES SHALL NOT BE LIABLE FOR ANY DIRECT, INDIRECT, SPECIAL, INCIDENTAL, OR CONSEQUENTIAL DAMAGES, WHETHER BASED ON CONTRACT, TORT, OR ANY OTHER LEGAL THEORY.

Assistance

This product comes with the standard product warranty. Warranty options, extended support contacts, product maintenance agreements and customer assistance agreements are also available. Contact your nearest Keysight Technologies Sales and Service office for further information on Keysight Technologies' full line of Support Programs.

Technologies Licenses

The hardware and or software described in this document are furnished under a license and may be used or copied only in accordance with the terms of such license.

Restricted Rights Legend

Software and technical data rights granted to the federal government include only those rights customarily provided to end user customers. Keysight provides this customary commercial license in Software and technical data pursuant to FAR 12.211 (Technical Data) and 12.212 (Computer Software) and, for the Department of Defense, DFARS 252.227-7015 (Technical Data – Commercial Items) and DFARS 227.7202-3 (Rights in Commercial Computer Software or Computer Software Documentation).

Trademarks

Microsoft and Windows are U.S. registered trademarks of Microsoft Corporation.

Safety Notices

The following general safety precautions must be observed during all phases of operation of this instrument. Failure to comply with these precautions or with specific warnings or instructions elsewhere in this manual violates safety standards of design, manufacture, and intended use of the instrument. Keysight Technologies assumes no liability for the customer's failure to comply with these requirements.

General

Do not use this product in any manner not specified by the manufacturer. The protective features of this product may be impaired if it is used in a manner not specified in the operation instructions.

Before Applying Power

Verify that all safety precautions are taken. Make all connections to the unit before applying power. Note the instrument's external markings described under "Safety Symbols"

Ground the Instrument

This product is a Safety Class 1 instrument (provided with a protective earth terminal). To minimize shock hazard, the instrument chassis and cover must be connected to an electrical ground. The instrument must be connected to the ac power mains through a grounded power cable, with the ground wire firmly connected to an electrical ground (safety ground) at the power outlet. Any interruption of the protective (grounding) conductor or disconnection of the protective earth terminal will cause a potential shock hazard that could result in personal injury.

Fuses

The instrument contains an internal fuse, which is not customer accessible.

Do Not Operate in an Explosive Atmosphere

Do not operate the instrument in the presence of flammable gases or fumes.

Do Not Remove the Instrument Cover

Only qualified, service-trained personnel who are aware of the hazards involved should remove instrument covers. Always disconnect the power cable and any external circuits before removing the instrument cover.

Do Not Modify the Instrument

Do not install substitute parts or perform any unauthorized modification to the product. Return the product to a Keysight Sales and Service Office for service and repair to ensure that safety features are maintained.

In Case of Damage

Instruments that appear damaged or defective should be made inoperative and secured against unintended operation until they can be repaired by qualified service personnel

CAUTION







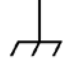



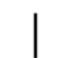







A **CAUTION** notice denotes a hazard. It calls attention to an operating procedure, practice, or the like that, if not correctly performed or adhered to, could result in damage to the product or loss of important data. Do not proceed beyond a **CAUTION** notice until the indicated conditions are fully understood and met.

WARNING

A **WARNING** notice denotes a hazard. It calls attention to an operating procedure, practice, or the like that, if not correctly performed or adhered to, could result in personal injury or death. Do not proceed beyond a

WARNING notice until the indicated conditions are fully understood and met.

Safety Symbols

	Direct current
	Alternating current
	Both direct and alternating current
	Three phase alternating current
	Earth (ground) terminal
	Protective earth ground terminal.
	Frame or chassis terminal
	Terminal is at earth potential.
	Neutral conductor on permanently installed equipment
	Line conductor on permanently installed equipment.
	On supply
	Off supply
	Standby supply. Unit is not completely disconnected from ac mains when switch is off
	In position of a bi-stable push switch
	Out position of a bi-stable push switch
	Caution, risk of electric shock
	Caution, hot surface
	Caution, refer to accompanying documents

In this Book

This User's Manual contains the operating instructions, installation instructions, and specifications of the Keysight Technologies Series N5700 750W and 1500W System DC Power Supplies. Specific chapters in this manual contain the following information:

- Quick Reference – Chapter 1 is a quick reference section that helps you quickly become familiar with your Keysight N5700 power supply.
- Installation – Chapter 2 describes how to install your power supply. It describes how to connect various loads to the output. It discusses remote sensing as well as parallel and series operation.
- Operating the Power Supply Locally – Chapter 3 describes how to operate the power supply from the front panel and from the analog connector on the rear panel. It also includes a turn-on check-out procedure to verify the unit is operating properly.
- Operating the Power Supply Remotely – Chapter 4 describes how to configure the remote interfaces. It also gives a brief overview of the SCPI command structure and basic programming concepts.
- Language Reference – Chapter 5 describes all of the SCPI programming commands.
- Programming Examples – Chapter 6 provides Visual BASIC example programs that illustrate some common applications.
- Specifications – Appendix A describes specifications and supplemental characteristics.
- Verification and Calibration Procedures – Appendix B explains the verification and calibration procedures.
- Service – Appendix C describes what to do if your unit requires service.
- Compatibility – Appendix D documents the compatibility commands of the Keysight 603xA power supplies that are supported by the Keysight N5700 power supplies.

NOTE

You can contact Keysight Technologies at one of the following telephone numbers for warranty, service, or technical support information.

In the United States: (800) 829-4444

In Europe: 31 20 547 2111


In Japan: 0120-421-345

Or use our Web link for information on contacting Keysight in your country or specific location: <http://www.keysight.com/find/assist>

Or contact your Keysight Technologies Representative.

The web contains the most up to date version of the manual. Go to <http://www.keysight.com/find/N5700> to get the latest version of the manual.

Contents

1 Quick Reference	9
The Keysight N5700 DC Power Supplies – At a Glance	10
The Front Panel – At a Glance	12
The Rear Panel – At a Glance	14
2 Installation.....	17
General Information	18
Inspecting the Unit.....	19
 Installing the Unit.....	19
Connecting the Line Cord.....	21
Connecting the Load.....	23
Output Voltage Sensing.....	26
Load Considerations.....	28
Parallel Connections	30
Series Connections.....	32
J1 Connector Connections	34
3 Operating the Power Supply Locally.....	35
Turn-On Check-Out	36
Normal Operation.....	38
Protection Functions	39
Output On/Off Controls.....	42
Analog Programming of Output Voltage and Current.....	44
4 Operating the Power Supply Remotely.....	49
Connecting to the Interfaces	50
SCPI Commands – an Introduction	59
5 Language Reference	65
SCPI Command Summary	66
Calibration Commands.....	68
Measure Commands	69
Output Commands.....	70
Source Commands.....	71
Status Commands.....	73
System Commands	79
Trigger Commands.....	81

6 Programming Examples	83
Output Programming Example	84
Trigger Programming Example	86
A Specifications	89
Performance Specifications	90
Supplemental Characteristics.....	91
Outline Diagram	93
B Verification and Calibration	95
Verification.....	96
Calibration	115
C Service	117
Types of Service Available.....	118
Repackaging for Shipment	118
Operating Checklist.....	118
Error Messages.....	120
D Compatibility.....	125
Differences – In General.....	126
Compatibility Command Summary.....	127
Index	129

1

Quick Reference

The Keysight N5700 DC Power Supplies – At a Glance	10
The Front Panel – At a Glance	12
The Rear Panel – At a Glance	14

This chapter concisely describes the Keysight Technologies Series N5700 Power Supplies.

This chapter is not meant to describe every operating feature in detail. It is simply a quick reference guide to quickly become familiar with the essential components of the power supply. It can also be used as a memory jogger for experienced users to quickly find a front/rear panel function.

A quick reference programming command chart is included in the beginning of chapter 5.

The Keysight N5700 DC Power Supplies – At a Glance

The Keysight Technologies Series N5700 System DC Power Supplies are general-purpose, 1U (rack unit) high, switching power supplies that are available with a wide variety of output voltage and current ratings.

These power supplies are power-factor corrected and operate from a worldwide AC voltage range. Output voltage and current are continuously displayed and LED indicators show the complete operating status of the power supply.

The front panel controls allow the user to set the output parameters, over-voltage, under-voltage, and over-current protection levels, and preview the settings.

The rear panel includes the necessary connectors to control and monitor the power supply operation by analog signals or by the built-in remote communication interfaces.

Output Features

- Constant voltage/constant current with automatic crossover.
- High-resolution voltage and current front panel controls.
- Accurate voltage and current readback.
- Independent edge-triggered external shut-off, and level-triggered external enable/disable.
- Parallel operation with active current sharing.
- Remote sensing to compensate for voltage drop in load leads.
- Analog output programming and monitoring.

System Features

- Built-in GBIB/LAN/USB interface.
- A built-in Web server that lets you control the instrument directly from an internet browser on your computer.
- Zero-gap stacking - no ventilation holes at the top and bottom surface of the power supply.
- Universal input voltage with active power factor correction.
- Fan speed control for low noise and extended fan life.

Programmable Functions

- Output voltage and current setting.
- Output voltage and current measurement.
- Output voltage and current trigger setting.
- Output On/Off control.
- Over-current protection setting.
- Over-voltage protection setting and readback.
- Under-voltage limit setting and readback.
- Start-up mode (either last setting or reset mode)
- Status register setting and readback.
- Bus trigger
- Calibration

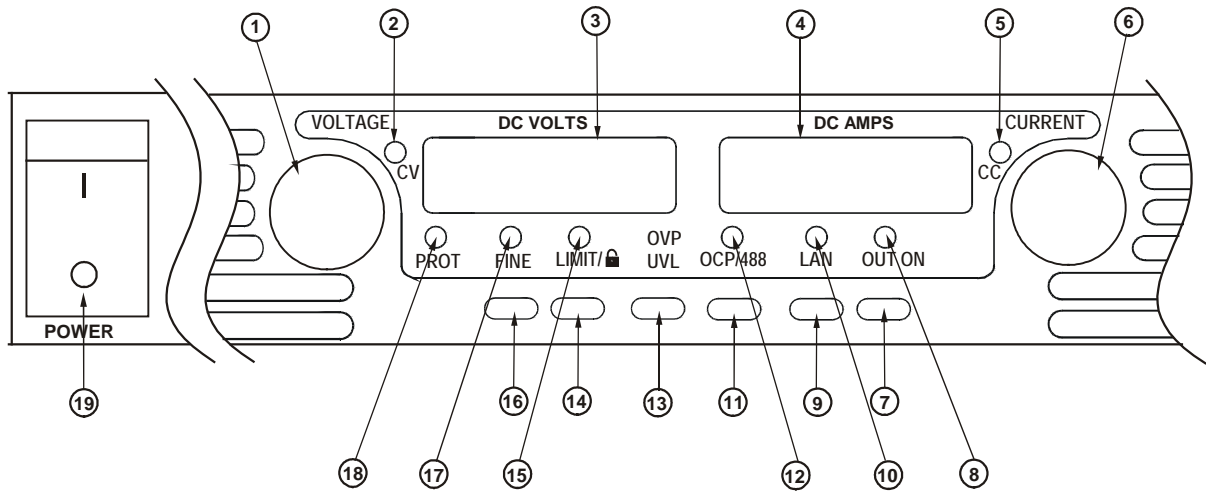
Model Ratings

Model	Voltage Range	Current Range	Model	Voltage Range	Current Range
N5741A	0 – 6V	0 – 100A	N5761A	0 – 6V	0 – 180A
N5742A	0 – 8V	0 – 90A	N5762A	0 – 8V	0 – 165A
N5743A	0 – 12.5V	0 – 60A	N5763A	0 – 12.5V	0 – 120A
N5744A	0 – 20V	0 – 38A	N5764A	0 – 20V	0 – 76A
N5745A	0 – 30V	0 – 25A	N5765A	0 – 30V	0 – 50A
N5746A	0 – 40V	0 – 19A	N5766A	0 – 40V	0 – 38A
N5747A	0 – 60V	0 – 12.5A	N5767A	0 – 60V	0 – 25A
N5748A	0 – 80V	0 – 9.5A	N5768A	0 – 80V	0 – 19A
N5749A	0 – 100V	0 – 7.5A	N5769A	0 – 100V	0 – 15A
N5750A	0 – 150V	0 – 5A	N5770A	0 – 150V	0 – 10A
N5751A	0 – 300V	0 – 2.5A	N5771A	0 – 300V	0 – 5A
N5752A	0 – 600V	0 – 1.3A	N5772A	0 – 600V	0 – 2.5A

Minimum output voltage is $\leq 0.2\%$ of the rated output voltage.

Minimum output current is $\leq 0.4\%$ of the rated output current.

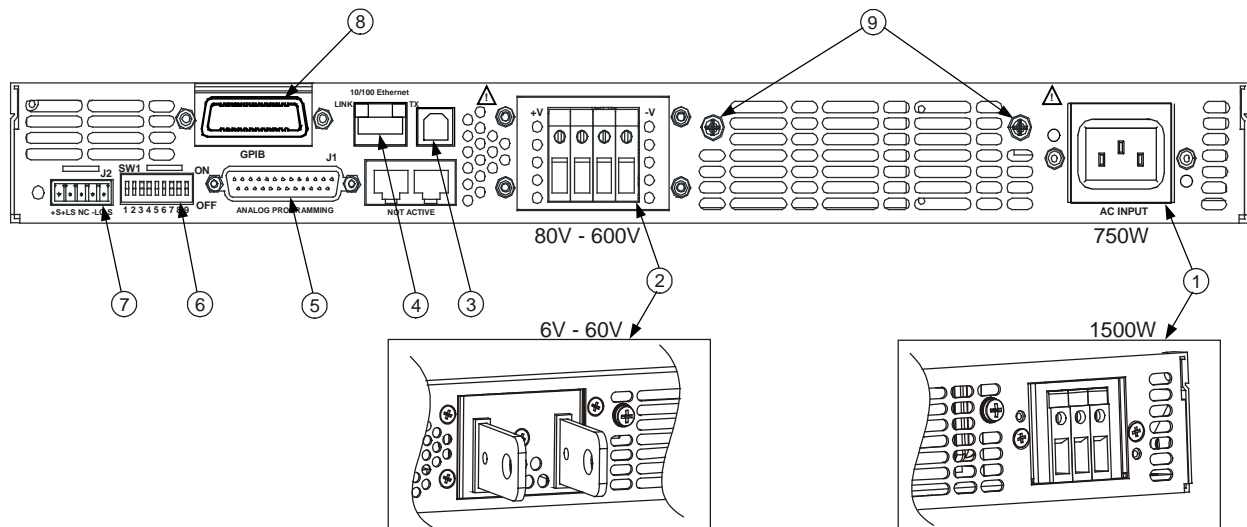
The Front Panel - At a Glance



- 1 – VOLTAGE knob** Voltage function: Adjusts the output voltage, the over-voltage protection level, and the under-voltage limit. If over-voltage protection or under-voltage limits have been set, you cannot program the output voltage outside those limits.
GPIO address: Selects the GPIO address when OCP/488 is pressed and held. Units purchased with Option NGP do not have a GPIO interface.
- 2 – CV indicator** When lit, indicates that the unit is operating in constant voltage mode – with the output voltage being held constant.
- 3 – DC VOLTS display** LED display that normally displays the voltage measured at the sense terminals. When LIMIT is pressed, the display indicates the programmed voltage setting. When OVP/UVL is pressed, the display indicates either the OVP or UVL setting. When OCP/488 is pressed and held, the display indicates the GPIO address. When LAN is pressed and held, the display indicates the IP and Ethernet address.
- 4 – DC AMPS display** LED display that normally displays the current measured at the output terminals. When LIMIT is pressed, the display indicates the programmed current setting. When LAN is pressed and held, the display indicates the IP and Ethernet address.
- 5 – CC indicator** When lit, indicates that the unit is operating in constant current mode – with the output current being held constant.
- 6 – CURRENT knob** Adjusts the output current.
- 7 – OUT ON button** Output function: Press OUT ON to turn the output on or off. Press OUT ON to reset and turn the output on after an OVP or OCP event has occurred.
Start-up function: Selects between Safe-Start and Auto-Restart modes. Press and hold the OUT ON button to toggle between Safe-Start and Auto-Restart. The display cycles between SAF and AU7. Releasing the OUT ON button while one of the modes is displayed selects that mode.
- 8 – OUT ON indicator** When lit, indicates that the output is enabled or on.

- 9 – LAN button** View address: Press LAN to view the IP and Ethernet address. The display first scrolls through the four segments of the IP address, followed by the six segments of the Ethernet (EA) address. Press any key to turn the address display off.
- Reset address: Press and hold the LAN button for three seconds. Pressing the LAN button again while the message “LAN rES” is displayed resets the LAN configuration to the factory-shipped settings (see chapter 4 for settings). If the key is not pressed again, the display returns to normal and the configuration is not changed.
- 10 – LAN indicator** When lit, indicates that the LAN has been configured and is operating normally. When blinking, identifies the unit for which the indicator has been set to blink by the unit’s Web server page.
- 11 – OCP/488 button** Enable OCP: Press OCP/488 to turn over-current protection on. Press OCP/488 again to turn over-current protection off.
- Reset OCP: When an over-current protection event occurs, press the OUT ON button to enable the output and re-arm over-current protection.
- GPIB address: Press and hold the OCP/488 button for three seconds. This lets you set the GPIB address with the Voltage knob. Units purchased with Option NGP do not have a GPIB interface.
- 12 – OCP indicator** When lit, indicates that over-current protection is enabled or on.
- 13 – OVP/UVL button** OVP function: Press OVP/UVL once to set the over-voltage protection level with the Voltage knob (the display shows OUP). You cannot set the over-voltage protection lower than about 5% above the present output voltage setting.
- UVL function: Press OVP/UVL twice to set the under-voltage programming limit with the Voltage knob (the display shows UUL). You cannot set the under-voltage protection higher than about 5% below the present output voltage setting.
- 14 – LIMIT button** Limit function: Press LIMIT to display the output voltage and current limit. For five seconds the display shows the settings and then it returns to show the actual output voltage and current.
- Lock function: Press and hold the LIMIT button to toggle between Locked front panel and Unlocked front panel. The display will cycle between LFP and UFP. Releasing the LIMIT button while one of the modes is displayed selects that mode. If the display indicates rLFP, the front panel has been locked by a remote programming command.
- 15 – LIMIT indicator** When lit, indicates that the LIMIT button is pressed.
- 16 – FINE button** Selects Fine or Coarse adjustment control. In Fine mode, the Voltage and Current knobs operate with high resolution; in Coarse mode, with lower resolution (approximately six turns).
- 17 – FINE indicator** When lit, indicates that the unit is in Fine adjustment mode.
- 18 – PROT indicator** When blinking, indicates that a fault has occurred. OVP, OCP, OTP, Enable fail, and AC fail detection will cause the PROT indicator to blink. The PROT indicator may blink and the display indicate AC for a few seconds after the unit is turned off because of residual energy inside the unit.
- 19 – POWER switch** Turns the power supply on or off.

The Rear Panel – At a Glance



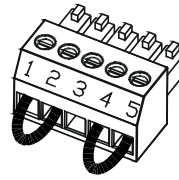
- | | |
|----------------------------------|---|
| 1 – AC input connector | Wire clamp connector for 1500W output models.
IEC connector for 750W output models. |
| 2 – DC output connector | Wire clamp connector for 80V to 600V models.
Bus bars for 6V - 60V models. |
| 3 – USB connector | Connector for connecting to a USB interface. See chapter 4 for setup. |
| 4 – LAN connector | Connector for connecting to a LAN interface. LINK LED indicates link integrity. TX LED indicates LAN activity. See chapter 4 for LAN setup. |
| 5 – Analog Programming connector | Connector for the analog interface. Includes output voltage and current limit programming and monitoring signals, Shut-Off control (electrical signal), Enable/Disable control (dry-contact), power supply ok (Power Supply OK) signal and operation mode (CV/CC) signal. (See next page for details) |
| 6 – SW1 setup switch | Nine-position switch for selecting remote programming and monitoring modes for Output Voltage, Current Limit and other control functions. (See next page for details) |
| 7 – Remote Sense connector | Connector for making remote sensing connections for regulating the load voltage and compensating for wiring voltage drop. (See next page for details) |
| 8 – GPIB connector | Connector for connecting to a GPIB interface. See chapter 4 for setup. Units purchased with Option NGP do not have a GPIB interface. |
| 9 – Ground screw | M4x8 screws for making chassis ground connections |

WARNING

SHOCK HAZARD The power cord provides a chassis ground through a third conductor. Be certain that your power outlet is of the three-conductor type with the correct pin connected to earth ground

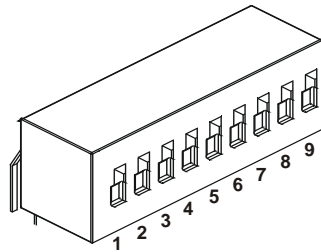
J2 Sense Connector

- 1 – Remote sense (+)
- 2 – Local sense (+)
- 3 – Not used
- 4 – Local sense (-)
- 5 – Remote sense (-)



The factory-shipped configuration is shown in the figure.

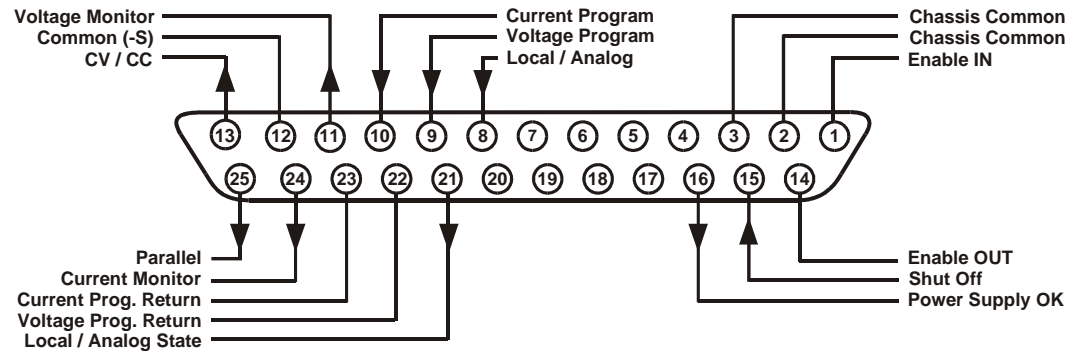
SW1 Setup Switch



The factory-shipped setting is Down for all switches.

- | | |
|--|---|
| 1 – Output voltage, voltage programming | <p><u>Down:</u> The output voltage is programmed by the front panel.</p> <p><u>Up:</u> The output voltage is programmed by the external voltage signal.</p> |
| 2 – Output current, current programming | <p><u>Down:</u> The output current is programmed by the front panel.</p> <p><u>Up:</u> The output current is programmed by the external voltage signal.</p> |
| 3 – Programming range (voltage/resistance) | <p><u>Down:</u> The remote programming range is: 0 – 5V / 0 – 5KΩ.</p> <p><u>Up:</u> The remote programming range is: 0 – 10V / 0 – 10KΩ.</p> |
| 4 – Voltage and Current monitoring range | <p><u>Down:</u> The remote monitoring range is: 0 – 5V.</p> <p><u>Up:</u> The remote monitoring range is: 0 – 10V.</p> |
| 5 – Shut-Off Logic Select | <p><u>Down:</u> OUT OFF = Low (0 – 0.6V) or short; OUT ON = High (2V – 15V) or open.</p> <p><u>Up:</u> OUT OFF = High (2V – 15V) or open; OUT ON = Low (0 – 0.6V) or short.</p> |
| 6 – Not Used | |
| 7 – Output voltage, resistive programming | <p><u>Down:</u> The output voltage is programmed by the front panel.</p> <p><u>Up:</u> The output voltage is programmed by the external resistor.</p> |
| 8 – Output current, resistive programming | <p><u>Down:</u> The output current is programmed by the front panel.</p> <p><u>Up:</u> The output current is programmed by the external resistor.</p> |
| 9 – Enable/Disable control | <p><u>Down:</u> The J1 Enable+/Enable– pins are not active.</p> <p><u>Up:</u> The J1 Enable+/Enable– pins are active.</p> |


J1 Analog Programming Connector



The factory-shipped default configuration is Local operation, which does not require connection to J1.

Pin 1:	Enable IN	Connect Pin 1 to Pin 14 to enable the output. Disconnect to disable the output.
Pin 2, 3:	Chassis Common	Signal return for Pin 15 and Pin 16. Connected to chassis.
Pin 4-7:	Not Used	No connection
Pin 8:	Local/Analog	Input for selecting between front panel or analog programming of the output.
Pin 9:	Voltage Program	Input for voltage or resistance programming of the output voltage.
Pin 10:	Current Program	Input for voltage or resistance programming of the output current.
Pin 11:	Voltage Monitor	Output for monitoring the output voltage.
Pin 12:	Common	Signal return for Pin 8, Pin11, Pin 13, and Pin 24. Connected internally to -S.
Pin 13:	CV/CC	Output for constant voltage/constant current mode indication.
Pin 14:	Enable OUT	Connect Pin 14 to Pin 1 to enable the output. Disconnect to disable the output.
Pin 15:	Shut Off	Input for Shut-Off control of the output. Referenced to Chassis Common.
Pin 16:	Power Supply OK	Output to indicate the power supply status. Referenced to Chassis Common.
Pin 17-20:	Not Used	No connection
Pin 21:	Local/Analog State	Output for indication of local or analog programming mode.
Pin 22:	Voltage Prog. Return	Signal return for Pin 9. Connected internally to -S.
Pin 23:	Current Prog. Return	Signal return for Pin 10. Connected internally to -S.
Pin 24:	Current Monitor	Output for monitoring the output current.
Pin 25:	Parallel	Output for current balancing in parallel operation.

2 Installation

General Information	18
Inspecting the Unit.....	19
 Installing the Unit	19
Connecting the Line Cord	21
Connecting the Load	23
Output Voltage Sensing	26
Load Considerations.....	28
Parallel Connections	30
Series Connections.....	32
J1 Connector Connections	34

This chapter describes how to install your power supply. It discusses installation, rack mounting, and line cord connections.

This chapter also discusses how to connect your load to the output terminals. It discusses what you need to know about wire sizes and how to compensate for voltage drops in the load leads. It also discusses various loads configurations and how to connect units in series and parallel.

Before getting started, check the list under “Items Supplied” and verify that you have received these items with your instrument. If anything is missing, please contact your nearest Keysight Sales and Service Office.

General Information

Models

750 W Models	1500 W Models
N5741A – N5749A	N5761A – N5769A
N5750A – N5752A	N5770A – N5772A

Items Supplied

Item	Description
Power Cord	A power cord appropriate for your location 750W units are supplied with terminated power cords 1500W units are supplied with unterminated power cords
Strain relief assembly	A strain relief assembly for unterminated power cords (only used for 1500W units)
AC input cover	A cover for the AC input on which the strain relief assembly is mounted (only used for 1500W units)
Analog connector	A DB25 subminiature connector plug for analog control connections
Shield assembly	A shield for the output terminal connections
Hardware	Nuts, washers, and bolts for connecting load leads to output bus bars (only used for 6V to 60V units)
Certificate of Calibration	A certificate of calibration referenced to the serial number

Accessories

Item	Description
N5740A	Rack-mount slide kit for installing in system II cabinets

Inspecting the Unit

When you receive your power supply, inspect it for any obvious damage that may have occurred during shipment. If there is damage, notify the shipping carrier and nearest Keysight Sales and Service Office immediately. Refer to Appendix C for more information.

Until you have checked out the power supply, save the shipping carton and packing materials in case the unit has to be returned.

Installing the Unit

Safety Considerations

This power supply is a Safety Class 1 instrument, which means it has a protective earth terminal. That terminal must be connected to earth ground through power source equipped with a ground receptacle. Refer to the Safety Summary page at the beginning of this guide for general safety information. Before installation or operation, check the power supply and review this guide for safety warnings and instructions. Safety warnings for specific procedures are located at appropriate places throughout this Guide.

Environment

WARNING Do not operate the instrument in the presence of flammable gasses or fumes

The environmental conditions, dimensions of the instrument, as well as an outline diagram are given in Appendix A. Basically, the instrument should only be operated indoors in a controlled environment. Do not operate the power supply in an area where the ambient temperature exceeds 40° C.

NOTE Keysight N5700 power supplies generate magnetic fields, which may affect the operation of other instruments. If your equipment is susceptible to magnetic fields, do not position it adjacent to the power supply.

Airflow

Fans cool the power supply by drawing air through the front and exhausting it out the back. The instrument must be installed in a location that allows sufficient space of at least 10 cm (4 in) at the front and back of the unit for adequate air circulation.

Rack Installation

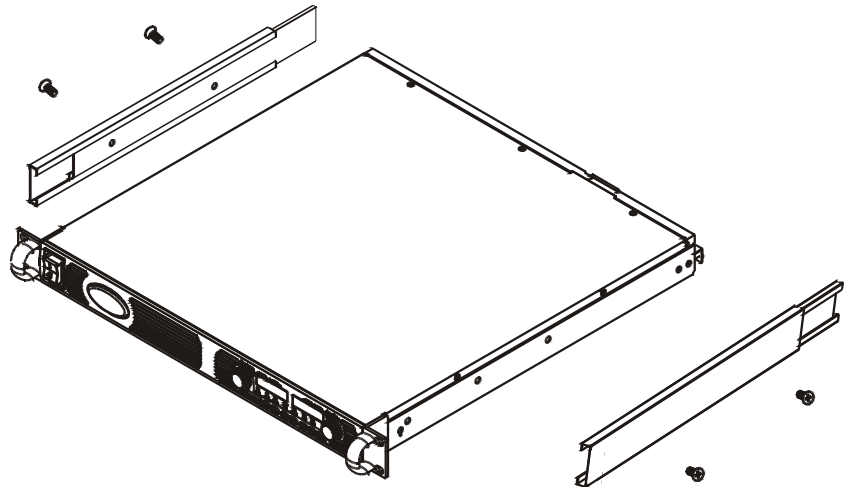
CAUTION

Ensure that the screws used to attach the rack slide kit do not penetrate more than 6 mm into the sides of the unit.

Do not block the air intake at the front, or the exhaust at the rear of the unit.

The Keysight N5700 power supplies can be mounted in a standard 19-inch rack panel or cabinet. They are designed to fit in one rack unit (1U) of space. To install the power supply in a rack:

1. Use the front panel rack-mount brackets to install the power supply in the rack.
2. Use a support bracket to provide adequate support for the rear of the power supply.
3. If using rack mount slides, use Keysight N5740A Rack-mount Slide Kit to install the unit in a standard 19-inch equipment rack. Refer to the following figure for assembly instructions. Use two #10-32 x 3/8 in (max.) screws at each side. To prevent internal damage, use the specified screw length only.



Cleaning

WARNING

SHOCK HAZARD To prevent electric shock, unplug the unit before cleaning.

Use a dry cloth or one slightly dampened with water to clean the external case parts. Do not attempt to clean internally.

Connecting the Line Cord

WARNING **SHOCK HAZARD** The power cord provides a chassis ground through a third conductor. Be certain that your power outlet is of the three-conductor type with the correct pin connected to earth ground.

FIRE HAZARD Use only the power cord that was supplied with your instrument. Using other types of power cords may cause overheating of the power cord, resulting in fire.

NOTE The detachable power cord may be used as an emergency disconnecting device. Removing the power cord will disconnect ac input power to the unit.

The AC input on the back of your unit is a universal AC input. It accepts line voltages in the range of 85 VAC to 265 VAC. The frequency range is 47 Hz to 63 Hz.

The input current requirement of 750W units is 10.5A @ 100 VAC nominal and 5A @ 200 VAC nominal. The current requirement of 1500W units is 21A @ 100 VAC nominal and 11A @ 200 VAC nominal.

Input Connections for 750W units

Connect the power cord to the IEC 320 connector on the rear of the unit. The IEC connector provides the safety ground connection when the AC cord is plugged into a grounded AC receptacle.

If the wrong power cord was shipped with your unit, contact your nearest Keysight Sales and Service Office.

Input Connections for 1500W units

CAUTION Connection of this power supply to an AC power source should be made by a qualified electrician or other qualified personnel.

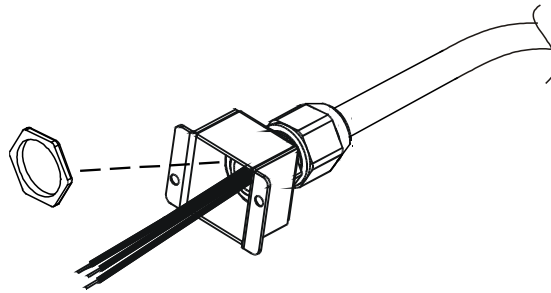
The AC input connector is a 3-terminal wire clamp located on the rear panel. Use suitable wires and tightening torque as follows:

- Wire diameter: 12 AWG or 10 AWG
- Tightening torque: 6.5 - 7.0 in-lb

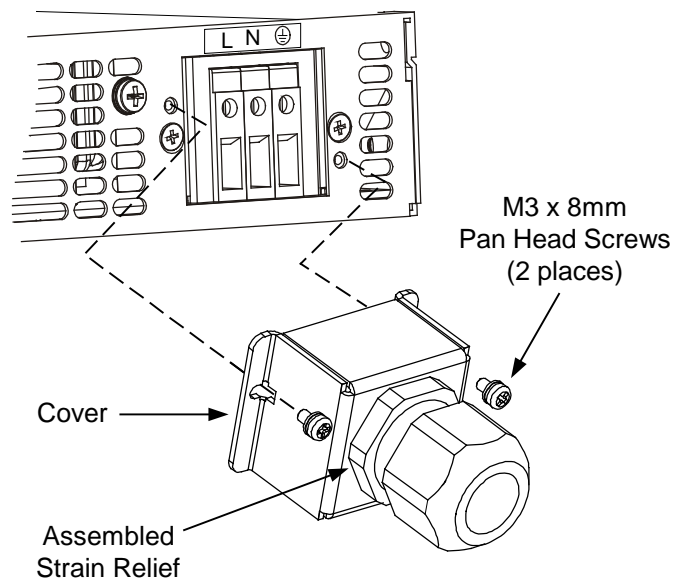
Connect the cable to the AC input connector as follows:

- Strip the outside insulation of the AC cable approximately 10 cm (4 in). Trim the wires so that the ground wire is 10 mm (0.4 in) longer than the other wires. Strip 14 mm (0.55 in) at the end of each of the wires.

- Unscrew the base of the strain relief from the wire compression nut. Place the locknut inside the AC input cover with the flat side of the nut against the cover. Insert the base through the outside opening of the AC input cover. Screw the base securely onto the locknut from the outside (17 in-lbs).
- Slide the wire compression nut over the AC cable. Insert the stripped wires through the strain relief base until the outer cable jacket is flush with the inside edge of the base. Place a wrench on the base to keep it from turning. Now tighten the compression nut to the base (14-16.2 in-lbs) while holding the cable in place. Now the cable is securely fastened inside the strain relief. Refer to the following figure.



- Route the AC wires to the input connector terminals as required. To connect the wires, loosen the terminal screw, insert the stripped wire into the terminal, and tighten the screw securely to between 4.4-5.3 in-lbs.
- Route the wires inside the cover to prevent pinching. Fasten the cover to the unit using the M3 x 8mm pan head screws provided (4.8 in-lbs). Refer to the following figure for details.



Connecting the Load

WARNING **SHOCK HAZARD** Turn off AC power before making rear panel connections. All wires and straps must be properly connected with screws securely tightened.

As further explained in this section, the following factors should be considered when selecting wiring to connect the load to the power supply:

- Current carrying capacity of the wire
- Insulation rating of the wire should be at least equivalent to the maximum output voltage of the power supply
- Maximum wire length and voltage drop
- Noise and impedance effects of the load wiring

Wire Size

WARNING **FIRE HAZARD** To satisfy safety requirements, select a wire size heavy enough not to overheat while carrying the power supply load current at the rated load, or the current that would flow in the event the load wires were shorted, whichever is greater.

Along with conductor temperature, you must also consider voltage drop when selecting wire sizes. The following chart lists the resistance for various wire sizes and also the maximum lengths to limit the voltage drop to 1.0 volt for various currents.

Although the power supply will compensate for up to 5V in each load wire, it is recommended to minimize the voltage drop to less than 1V to prevent excessive output power consumption from the power supply and poor dynamic response to load changes.

Wire size AWG	Resistance Ω /1000 foot	Maximum length in feet to limit voltage to 1 V				
		for 5 A	for 10 A	for 20A	for 50A	for 150A
14	2.526	80	40	20	8	2
12	1.589	120	60	30	12	3.4
10	0.9994	200	100	50	20	6
8	0.6285	320	160	80	32	10
6	0.3953	500	250	125	50	16
4	0.2486	800	400	200	80	26
2	0.1564	1200	600	300	125	40
0	0.0983	2000	1000	500	200	68

Cross section (mm ²)	Resistance Ω /kilometer	Maximum length in meters to limit voltage to 1 V				
		for 5 A	for 10 A	for 20A	for 50A	for 150A
2.5	8.21	24.0	12.0	6.0	2.4	0.8
4	5.09	39.2	18.6	9.8	4.0	1.4
6	3.39	59.0	29.4	14.8	5.8	2.0
10	1.95	102	51.2	25.6	10.2	3.4
16	1.24	160	80.0	40.0	16.0	5.4
25	0.795	250	125	62.0	25.2	8.4
35	0.565	354	177	88.0	35.4	11.8

Load Connections for 6V to 60V Models

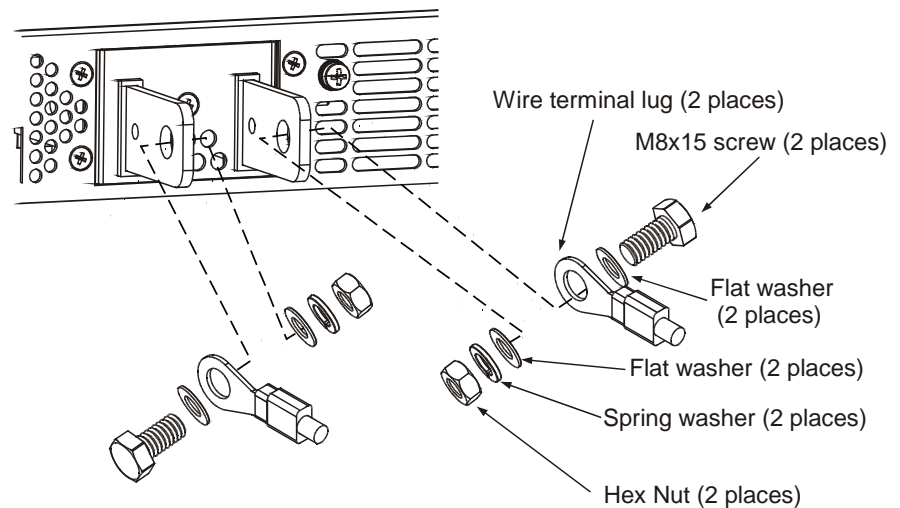
WARNING

SHOCK HAZARD Hazardous voltages may exist at the outputs and the load connections when using a power supply with a rated output greater than 60V. To protect personnel against accidental contact with hazardous voltages, ensure that the load and its connections have no accessible live parts. Ensure that the load wiring insulation rating is greater than or equal to the maximum output voltage of the power supply.

CAUTION

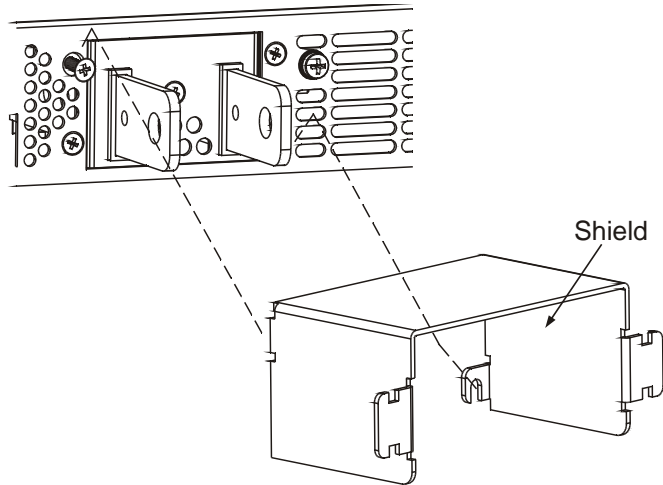
Ensure that the load wiring mounting hardware does not short the output terminals. Heavy connecting cables must have some form of strain relief to prevent loosening the connections or bending the bus-bars.

All load wires should be properly terminated with wire terminals securely attached. Do not use unterminated wires for load connections at the power supply. The following figures illustrate how to connect the load wires to the power supply bus-bars as well as how to mount the bus-bar shield to the chassis.



Screws tightening torque: 104-118 in-lb.

Install the shield after you have finished connecting the load wires.



Load Connections for 80V to 600V Models

WARNING

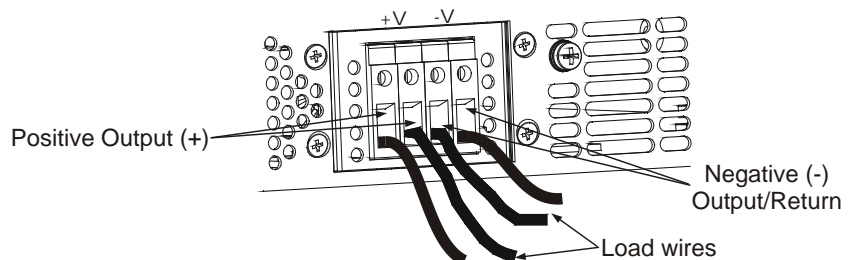
SHOCK HAZARD Hazardous voltages may exist at the outputs and the load connections when using a power supply with a rated output greater than 60V. To protect personnel against accidental contact with hazardous voltages, ensure that the load and its connections have no accessible live parts. Ensure that the load wiring insulation rating is greater than or equal to the maximum output voltage of the power supply.

The 80V to 600V models have a four-terminal wire clamp output connector. The two left terminals are the positive outputs and the two right terminals are the negative outputs. The connector specifications are as follows:

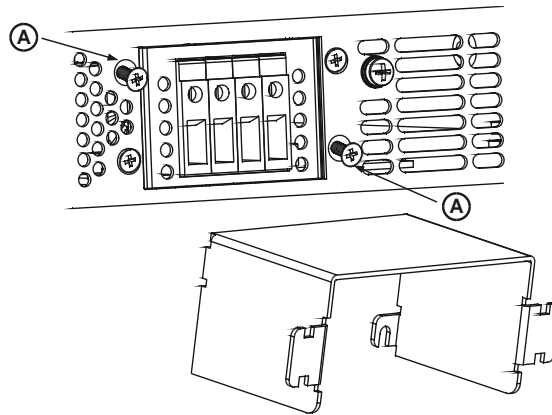
Wire Size:	AWG 18 to AWG 10
Stripping Length:	10 mm (0.39 in.)
Torque:	6.5 - 7 in-lb.

The following instructions describe how to connect the load wires to the power supply:

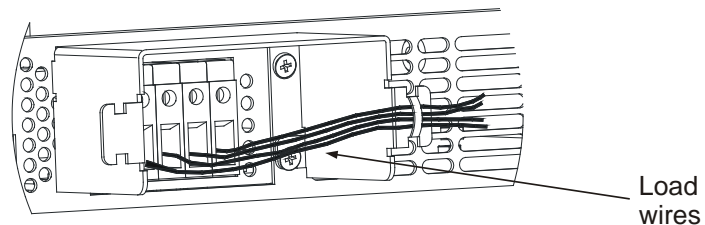
- Strip wires back approximately 10 mm (0.39 in).
- Loosen the connector terminal screws and insert the stripped wires into the terminal. Tighten the terminal screw securely.



- Loosen the two chassis screws marked A halfway.
- Assemble the protective shield to the chassis and tighten the two screws to fix the shield to the chassis. Screw tightening torque: 4.8-5.3 in-lb



- Tighten the wires to one of the shield sides using tie-wrap or equivalent. Refer to the following figure.



- Ensure that the wire length inside the shield is long enough to provide proper strain relief.

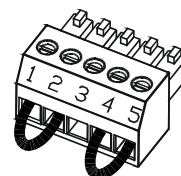
Output Voltage Sensing

WARNING

SHOCK HAZARD There is a potential shock hazard at the sense connector when using a power supply with a rated output greater than 60V. Ensure that the local sense and remote sense wiring insulation rating is greater than or equal to the maximum output voltage of the power supply. Ensure that the connections at the load end are shielded to prevent accidental contact with hazardous voltages.

Local and remote sense connections are made at the J2 connector. The connector has a removable plug that makes it easy for you to make your wire connections. Refer to the following figure for the terminal assignments.

- 1 Remote sense (+)
- 2 Local sense (+)
- 3 Not connected
- 4 Local sense (-)
- 5 Remote sense (-)

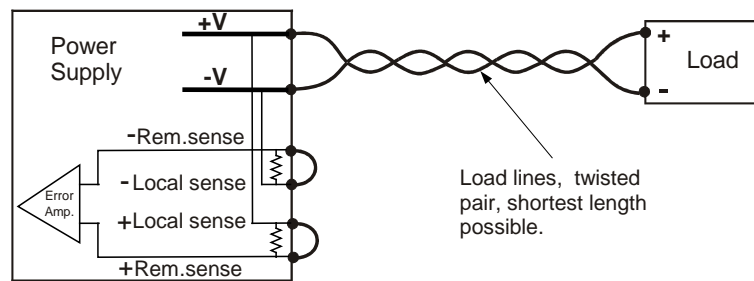


The J2 connector plug specifications are as follows:

Plug Type:	MC 1.5/5-ST-3.81, Phoenix
Wire Size:	AWG 28 to AWG 16
Stripping Length:	7 mm (0.28 in.)
Torque:	0.22 – 0.25 Nm (1.95 – 2.21 in.-lb.)

Local Sensing

The power supply is shipped with the rear panel J2 sense connector wired for local sensing of the output voltage. With local sensing, the output voltage regulation is made at the output terminals. This method does not compensate for voltage drop on the load wires, therefore it is recommended only for low load current applications or where the load regulation is less critical. The following figure illustrates the internal connections of the J2 connector.



NOTE

If the power supply is operated without the local sense jumpers or without the remote sense lines connected, it will continue to work, but the output voltage regulation will be degraded. Also, the OVP circuit may activate and shut down the power supply.

Remote Sensing

Use remote sensing in applications where load regulation at the load is critical. Remote sensing allows the power supply to compensate for the voltage drop in the load leads. See Appendix A under Remote Sense Compensation for the maximum allowable voltage drop on the load wires.

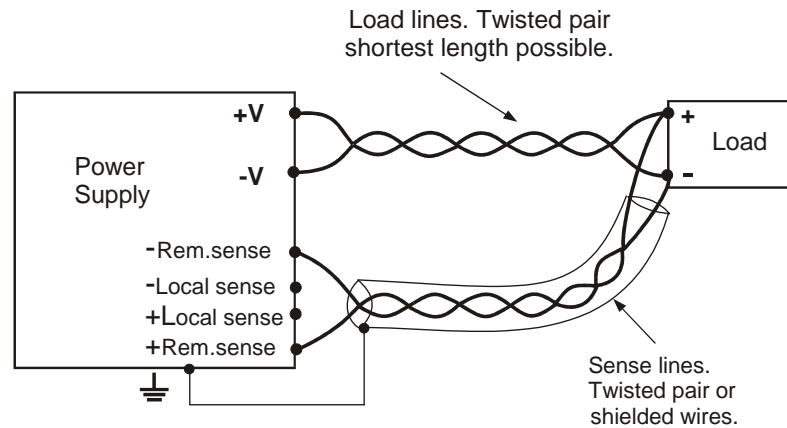
Remote sensing is especially useful in constant voltage mode with load impedances that vary or have significant lead resistance. It has no effect in constant current mode. Because sensing is independent of other power supply functions it can be used regardless of how the power supply is programmed. With remote sensing, voltage readback monitors the load voltage at the remote sense points.

Use twisted or shielded wires to minimize noise pick-up. If shielded wires are used, the shield should be connected to the ground at one point, either at the power supply chassis or the load ground. The optimal point for the shield ground should be determined by experimentation.

To configure the power supply for remote sensing:

- Turn off the power supply.
- Remove the local sense jumpers from the J2 connector.

- Connect the negative sense lead to terminal 5 (-S) and the positive sense lead to terminal 1 (+S). Make sure that the connector plug is securely inserted into the connector body.
- Turn on the power supply.



NOTE

If the power supply is operated with remote sensing and either the positive or negative load wire is not connected, an internal protection circuit will activate and shut down the power supply. To resume operation, turn the power supply off, connect the open load wire, and turn on the power supply.

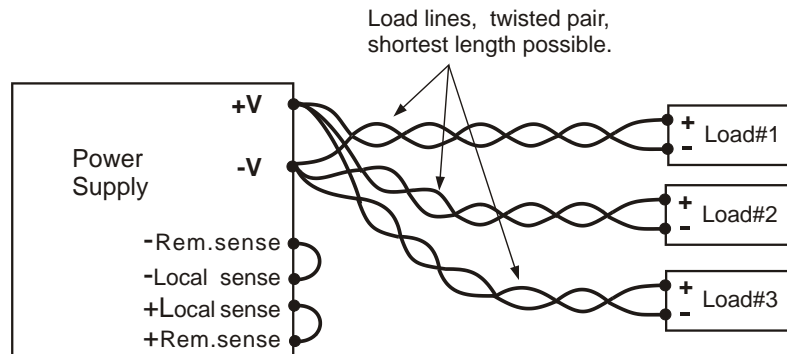
CAUTION

Internal components between +V and +Local sense and between -V and -Local sense can fail if the voltage drop across the load leads exceeds the allowable voltage drop on the leads (see Appendix A, Remote Sense Compensation). This can happen when using excessively long load leads.

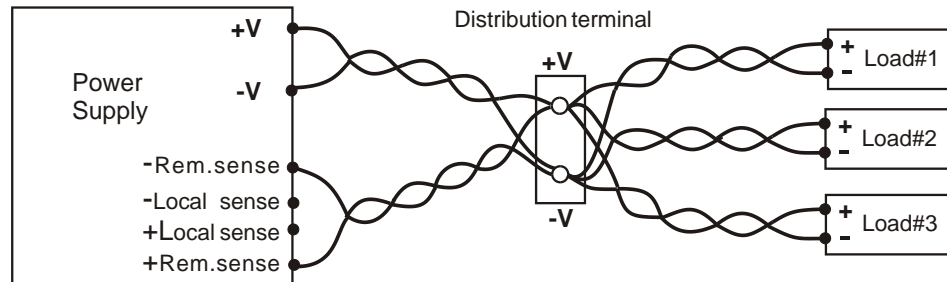
Load Considerations

Multiple Loads

The following figure shows multiple loads connected to one power supply. Each load should be connected to the power supply's output terminals using separate pairs of wires. It is recommended that each pair of wires will be as short as possible and twisted or shielded to minimize noise pick-up and radiation. The sense wires should be connected to the power supply output terminals or to the load with the most critical load regulation requirement.



If remotely located distribution terminals are used, as shown in the following figure, the power supply output terminals should be connected to the remote distribution terminals by a pair of twisted and/or shielded wires. Connect each load to the distribution terminals separately. Remote voltage sensing is recommended under these circumstances. Sense either at the remote distribution terminals or, if one load is more sensitive than the others, directly at the critical load.



Output Noise and Impedance Effects

To minimize the noise pickup or radiation, the load wires and remote sense wires should be twisted-pairs to the shortest possible length. Shielding of sense leads may be necessary in high noise environments. Where shielding is used, connect the shield to the chassis via a rear panel ground screw. Even if noise is not a concern, the load and remote sense wires should be twisted-pairs to reduce coupling, which might impact the stability of power supply. The sense leads should be separated from the power leads.

Twisting the load wires reduces the parasitic inductance of the cable, which could produce high frequency voltage spikes at the load and the output because of current variation in the load itself.

The impedance introduced between the power supply output and the load could make the ripple and noise at the load worse than the noise at the power supply rear panel output. Additional filtering with bypass capacitors at the load terminals may be required to bypass the high frequency load current.

Inductive Loads

Inductive loads can produce voltage spikes that may be harmful to the power supply. A diode should be connected across the output. The diode voltage and current rating should be greater than the power supply maximum output voltage and current rating. Connect the cathode to the positive output and the anode to the negative output of the power supply.

Where positive load transients such as back EMF from a motor may occur, connect a surge suppressor across the output to protect the power supply. The breakdown voltage rating of the suppressor must be approximately 10% higher than the maximum output voltage of the power supply.

Battery Charging

CAUTION

If a battery or external voltage source is connected across the output and the output is programmed below the battery or external voltage source, the power supply will continuously sink current from the external source. This could damage the power supply.

To avoid damaging the power supply, insert a reverse blocking diode in series with the + output connection of the power supply. Connect the diode's cathode to the + battery terminal or external voltage source. Connect the diode's anode to the + output terminal of the power supply.

Grounding the Output

The output of the power supply is isolated from earth ground. Either positive or negative voltages can be obtained from the output by grounding (or "commoning") one of the output terminals. Always use two wires to connect the load to the output regardless of where or how the system is grounded.

To avoid noise problems caused by common-mode current flowing from the load to ground, it is recommended to ground the output terminal as close as possible to the power supply chassis ground.

WARNING

SHOCK HAZARD

For models up to 60 VDC rated output, no point on the output shall be more than ± 60 VDC above or below chassis ground.

For models greater than 60 VDC rated output, no point on the Positive output shall be more than ± 600 VDC above or below chassis ground.

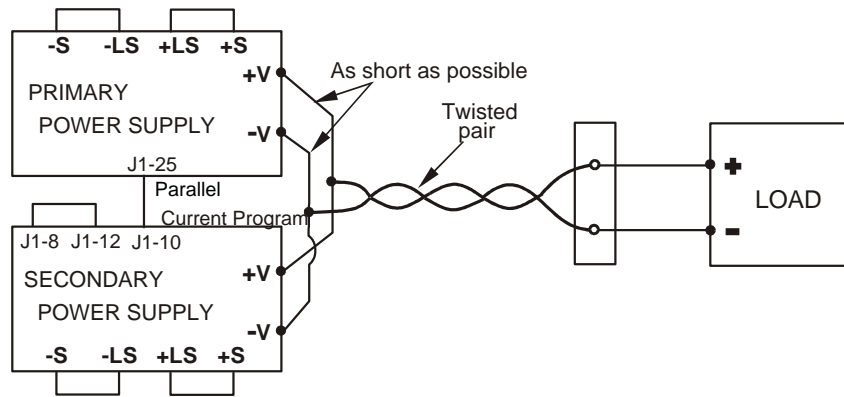
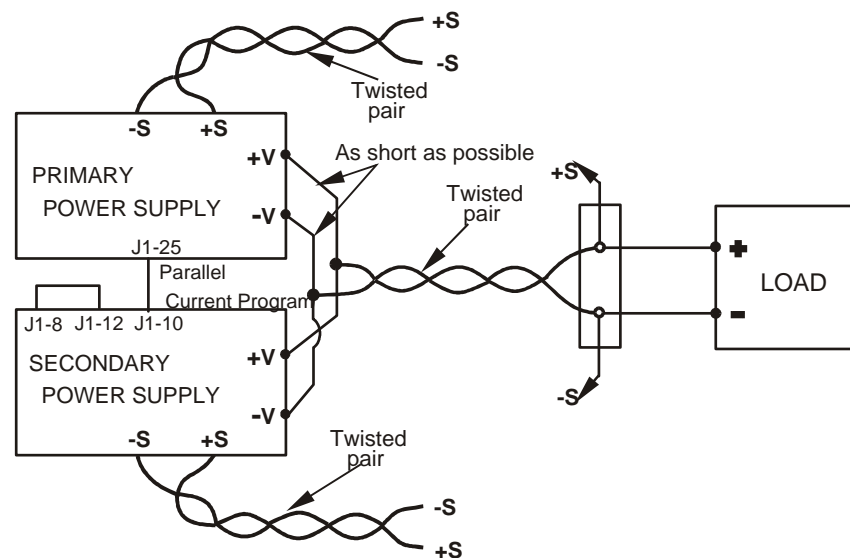
For models greater than 60 VDC rated output, no point on the Negative output shall be more than ± 400 VDC above or below chassis ground.

Parallel Connections

CAUTION

Only power supplies that have identical voltage and current ratings can be connected in parallel.

Up to four units of the same voltage and current rating can be connected in parallel to provide up to four times the output current capability. Refer to the following figures for typical connections of parallel power supplies using either local or remote sensing. The figures show two units, however, the same connection method applies for up to four units.

**Local Sensing****Remote Sensing**

One of the units operates as a primary and the remaining units are secondary. The secondary units operate as controlled current sources following the primary output current. In remote operation, only the primary unit can be programmed by the computer while the secondary units may be connected to the computer for voltage, current and status readback only.

It is recommended that each unit supplies only up to 95% of its current rating because of the imbalance that may be caused by cabling and connections voltage drops.

Setting up the Primary Unit

Connect the sensing circuit for either local or remote sensing as shown in the previous figures. Set the primary unit output voltage to the desired voltage. Program the current limit to the desired load current limit divided by the number of parallel units. During operation, the primary unit operates in constant voltage mode, regulating the load voltage at the programmed output voltage.

Setting up the Secondary Units

Set the rear panel setup switch SW1 position 2 to its up position. Connect J1 pin 10 (Current Program) of the secondary unit to J1 pin 25 (Parallel) of the primary unit. Also connect a short between J1 pin 8 and J1 pin 12. The output voltage of the secondary units should be programmed **higher** than the output voltage of the primary unit to prevent interference with the primary unit's control. The current limit of each unit should be programmed to the desired load current limit divided by the number of parallel units.

Setting the Over-Voltage Protection

The primary unit OVP should be programmed to the desired OVP level. The OVP of the secondary should be programmed to a **higher** value than the primary. When the primary unit shuts down, it programs the secondary unit to zero output voltage. If a secondary unit shuts down when its OVP is set lower than the primary output voltage, only that unit shuts down and the remaining secondary units will supply all the load current.

Setting the Over-Current Protection

Over-current protection, if desired, may only be used with the **primary** unit. When the primary unit shuts down, it programs the secondary units to zero output voltage.

Series Connections

WARNING

SHOCK HAZARD

For models up to 60 VDC rated output, no point on the output shall be more than ± 60 VDC above or below chassis ground.

For models greater than 60 VDC rated output, no point on the Positive output shall be more than ± 600 VDC above or below chassis ground.

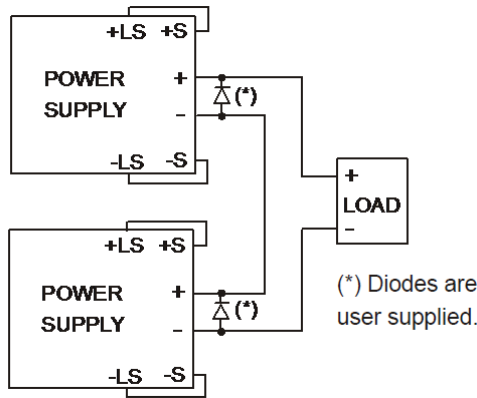
For models greater than 60 VDC rated output, no point on the Negative output shall be more than ± 400 VDC above or below chassis ground.

CAUTION

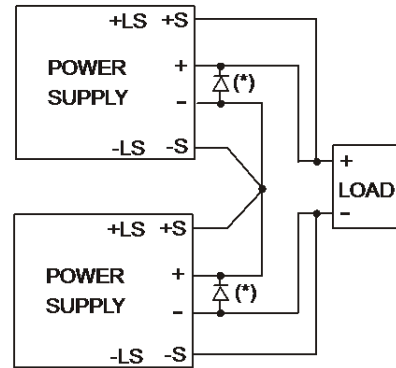
Only power supplies that have identical voltage and current ratings can be connected in series.

Two units of the same voltage and current rating can be connected in series to provide up to two times the output voltage capability. Because the current is the same through each element in a series circuit, outputs connected in series must have equivalent current ratings. Otherwise, the higher rated output could potentially damage the lower rated output by forcing excessive current through it under certain load conditions. Refer to the following figures for typical series connections using either local or remote sensing.

It is recommended that diodes be connected in parallel with each output to prevent reverse voltage during start up sequence or in case one unit shuts down. Each diode should be rated to at least the rated output voltage and output current of the power supply.

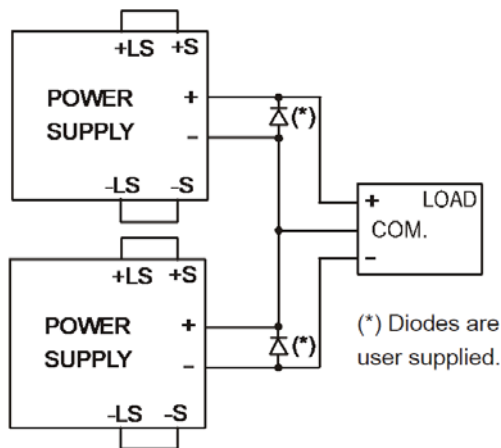


Local Sensing

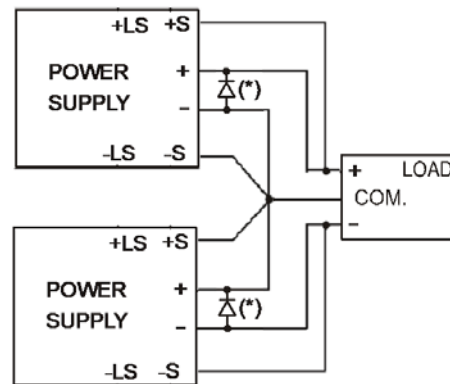


Remote Sensing

Refer to the following figure for typical connections of series power supplies configured as a positive and a negative output.



Local Sensing



Remote Sensing

CAUTION

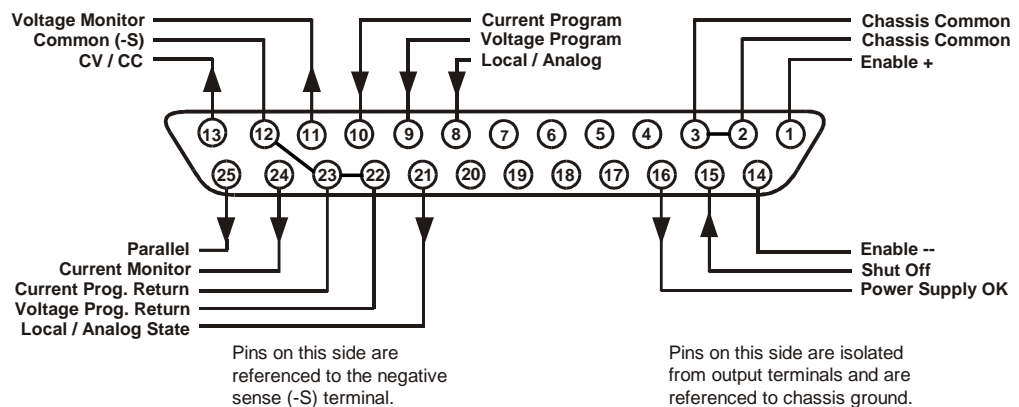
This caution applies when using analog voltage programming with series-connected power supplies. The analog programming circuits of these power supplies are referenced to the negative sense (-S) potential. Therefore, the analog voltage circuits used to control each series-connected unit must be separated and floated from each other.

J1 Connector Connections

WARNING **SHOCK HAZARD** There is a potential shock hazard at the J1 connector when using a power supply with a rated output greater than 60V. Ensure that the load wiring insulation rating is greater than or equal to the maximum output voltage of the power supply.

External programming and monitoring signal are located on the J1 connector. The power supply is shipped with a mating plug that makes it easy for you to make your wire connections. It is essential to use this plastic-body plug to conform to safety agency requirements. If a shield is required for the J1 wires, connect the shield to the ground screw located on the power supply chassis.

Refer to the following figure for the pin assignments. A description of the pins is given in chapter 1.



The mating plug specifications for the J1 connector are as follows:

Mating Plug:	AMP part number 745211-2
Wire Size:	AWG 26 to AWG 22
Extraction tool:	AMP part number 91232-1 or equivalent
Manual pistol grip tool:	Handle: AMP p/n 58074-1 Head: AMP p/n 58063-1

CAUTION Pins 12, 22 and 23 of J1 are connected internally to the negative sense (-S) potential of the power supply. Do not attempt to bias any of these pins relative to the negative output terminal. Use an isolated, ungrounded, programming source to prevent ground loops and to maintain the isolation of the power supply when programming from J1.

Chapter 3 describes how to configure the J1 connector when using it to program the output voltage and current.

3

Operating the Power Supply Locally

Turn-On Check-Out	36
Normal Operation	38
Protection Functions	39
Output On/Off Controls.....	42
Analog Programming of Output Voltage and Current	44

This chapter contains examples on how to operate your power supply from the front panel. A check-out procedure is included to let you verify that the power supply is operating properly. Additionally, information about programming the power supply using the J1 analog programming connector is also provided.

The simple examples discussed in this chapter show you how to program:

- output voltage and current functions
- protection functions
- output on/off functions
- safe-start and auto-restart
- analog programming of voltage and current
- front panel locking

Refer to chapters 4 and 5 for information on programming your power supply using SCPI commands.

Turn-On Check-Out

Before Turn-On

Ensure that the power supply is configured as follows:

- The unit is connected to the proper AC mains (see chapter 2).
- The POWER switch is in the off position.
- Sense connector pins 1 and 2 are jumpered; sense connector pins 4 and 5 are jumpered.
- All switches on Connector J2 are in the down position.

WARNING

SHOCK HAZARD Be aware that hazardous voltages can be present on the output terminals. Do not set the output voltage above 60 VDC during the turn-on check-out procedure. Check to make sure that the startup mode is set to Safe-Start (see page 42).

NOTE

Windows CE instruments (instruments manufactured starting in 2014) have a different turn-on characteristic than previous units. Windows CE units may take up to 30 seconds to initialize when they are turned on.

Constant Voltage Check

- Turn the POWER switch on.

CAUTION

After the “OFF” is first displayed, you need to allow a few seconds for the unit to stabilize before you enable the output with the OUT ON button. The output voltage and current settings may not be at zero during this stabilization time. Check that the settings are stable by pressing the LIMIT button and verifying that the voltage and current settings indicate zero.

- Turn the output on by pressing the OUT ON button. The green OUT ON indicator should be illuminated.
- The green CV indicator should also be illuminated. If the CC indicator is illuminated, rotate the current knob until the CV indicator becomes illuminated.
- Rotate the voltage knob while observing the DC VOLTS display. The output voltage should vary while the knob is turned. The voltage range is from zero to the maximum rated output for the power supply model.

OVP Check

- Rotate the voltage knob and set the output voltage of the unit to 50% of its full-scale rating or 30 volts, whichever is lower.
- Press the OVP/UVL button once so that the DC AMPS display indicates OUP. The DC VOLTS display shows the OVP level.
- Use the voltage knob and set the OVP level of the unit to 75% of its full-scale voltage rating or 40 volts, whichever is lower.
- Wait a few seconds until the DC VOLTS display returns to show the output voltage.

- Use the voltage knob and raise the output voltage of the unit until it approaches the OVP setting. Check to make sure that the output voltage cannot be set higher than the OVP setting.
- Press the OVP/UVL button again. Rotate the voltage knob and reset the OVP level of the unit to its maximum setting.

UVL Check

- Press the OVP/UVL button twice so that the DC AMPS display indicates UUL. The DC VOLTS display shows the UVL level.
- Use the voltage knob and set the UVL level of the unit to 50% of its full-scale voltage rating or 30 volts, whichever is lower.
- Wait a few seconds until the DC VOLTS display returns to show the output voltage.
- Use the voltage knob and lower the output voltage of the unit until it approaches the UVL setting. Check to make sure that the output voltage cannot be set lower than the UVL setting.
- Press the OVP/UVL button twice. Rotate the voltage knob and reset the UVL level of the unit to its minimum setting.

Constant Current Check

- Turn the POWER switch off. Wait a few seconds until the AC indicator on the front panel goes out.
- Use a heavy wire and short the +V and -V output terminals together.
- Turn the POWER switch on.
- Turn the output on by pressing the OUT ON button. The green OUT ON indicator should be illuminated. The green CC indicator should be also illuminated.
- Rotate the current knob while observing the DC AMPS display. The output current should vary while the knob is turned. The current range is from zero to the maximum rated output for the power supply model.

OCP Check

- Rotate the current knob and set the current limit of the unit to about 10% of its full-scale current rating.
- Press the OCP/488 button. This should trip the OCP protection. The OCP indicator should be illuminated, the DC VOLTS display should indicate OCP, and the Alarm indicator should be blinking.
- Press the OCP/488 button again to cancel OCP protection. The DC VOLTS display should indicate OFF because the OCP protection is latched.
- Press the OUT ON button to reset the OCP protection. The output should return to its previous setting.
- Turn the POWER switch off.
- Remove the short from the +V and -V output terminals.

Normal Operation

The power supply has two basic operating modes: constant voltage and constant current mode. In constant voltage mode, the power supply regulates the output voltage at the selected value, while the load current varies as required by the load. In constant current mode, the power supply regulates the output current at the selected value, while the voltage varies as required by the load. The mode in which the power supply operates at any given time depends on the voltage setting, current limit setting, and the load resistance.

Constant Voltage Mode

When the power supply is operating in constant voltage mode, the CV indicator on the front panel illuminates.

Adjustment of the output voltage can be made when the output is enabled (On) or disabled (Off). When the output is enabled, simply rotate the voltage knob to program the output voltage.

When the output is disabled, press the LIMIT button and then rotate the voltage knob. The DC VOLTS display will show the programmed voltage for 5 seconds after the adjustment has been completed and then indicate OFF.

The voltage knob can be set to coarse or fine resolution. Press the FINE button to select finer resolution. The FINE indicator turns on.

NOTE

If you cannot adjust the voltage to the value that you desire, the power supply may be operating at its current limit. Check the load condition and the current limit setting. Also, the voltage cannot be programmed lower than about 5% above the UVL setting, or higher than about 5% below the OVP setting.

Constant Current Mode

When the power supply is operating in constant current mode, the CC indicator on the front panel illuminates.

Adjustment of the output current limit can be made when the output is enabled (On) or disabled (Off). When the output is enabled and in constant current mode, simply rotate the current knob to program the current limit. If the output is in constant voltage mode, press the LIMIT button and then rotate the current knob. The DC AMPS display will show the programmed current for 5 seconds after the adjustment has been completed and then indicate the actual output current.

When the output is disabled, press the LIMIT button and then rotate the current knob. The DC AMPS display will show the programmed current for 5 seconds after the adjustment has been completed and then go blank because the output is off.

The current knob can be set to coarse or fine resolution. Press the FINE button to select finer resolution. The FINE indicator turns on.

CV/CC Mode Crossover

If the power supply is in constant voltage mode and the load current increases above the current limit setting, the power supply switches to constant current mode. If the load decreases below the current limit setting, the power supply switches to constant voltage mode.

CV/CC Signal

CAUTION

Do not connect the CV/CC signal to a voltage source higher than 30VDC. Always connect the CV/CC signal to the voltage source with a series resistor to limit the sink current to less than 10mA.

The CV/CC signal available on the J1 connector indicates the operating mode of the power supply. The CV/CC signal is an open collector output with a 30V parallel zener at J1 pin 13, referenced to common at J1 pin 12. J1 pin 12 is connected internally to the –S terminal. When the power supply operates in constant voltage mode, CV/CC output is open. When the power supply operates in constant current mode, CV/CC signal output is low (0 - 0.6V), with maximum 10mA sink current.

Protection Functions

Over-Voltage Protection

The over-voltage protection protects against over-voltage conditions on the output. If the output voltage attempts to exceed the programmed limit in response to an analog programming signal or in the event of a power supply failure, the over-voltage protection circuit will protect the load by disabling the output. The voltage is monitored at the sense terminals, thus providing the protection level directly at the load. Upon detection of an over-voltage condition, the output is disabled, the display shows OVP, the PROT indicator blinks, and OV is set in the Questionable Condition status register.

Adjustment of the over-voltage setting can be made when the output is enabled (On) or disabled (Off). To set the OVP level, press the OVP/UVL button so that the display indicates OUP. The display will show the OVP setting. Rotate the voltage knob to adjust the OVP level. The display will show OVP and the setting value for another five seconds and then return to its previous state.

The OVP settings are limited at the minimum level to approximately 5% above the output voltage setting. Attempting to adjust the OVP below this limit will result in no response to the adjustment attempt. Refer to Appendix A for the maximum OVP settings.

Use one of the following methods to reset the OVP circuit after it activates. If the condition that caused the over-voltage shutdown is still present, the OVP circuit will turn the output off again.

- Press the OUT ON button to turn the output on.
- Turn the AC power off, wait a few seconds, and turn it on.

- Turn the output off, then on again using the Shut Off pin on the J1 connector. This only applies in Auto-Restart mode.
- If the OVP continues to trip, try lowering the output voltage below the OVP setting, or raising the OVP setting.

Under-Voltage Limit

Under-voltage limit is a protection function that prevents adjustment of the output voltage below a set limit either from the front panel or remote interface. It does NOT include protection trip circuitry like the over-voltage protection. The combination of UVL and OVP lets you create a protection window for sensitive load circuitry.

Setting the UVL can be made when the output is enabled (On) or disabled (Off). To set the UVL level, press the OVP/UVL button twice, so that the display shows UUL. The display will show the UVL setting. Rotate the voltage knob to adjust the UVL level. The display will show UUL and the setting value for another five seconds and then return to its previous state.

The UVL settings are limited at the maximum level to approximately 5% below the output voltage setting. Attempting to adjust the UVL above this limit will result in no response to the adjustment attempt. The minimum UVL setting is zero.

Over-Current Protection

Over-current protection will shut down the power supply output if the load current reaches the current limit setting. This protection is useful when the load is sensitive to an over-current condition.

To arm the over-current protection, press the OCP/488 button so that the OCP indicator illuminates. When armed, a transition from constant voltage to constant current mode will activate the over-current protection. When an over-current protection event occurs, the output is disabled, the display shows OCP, the PROT indicator blinks, and OC is set in the Questionable Condition status register.

Use one of the following methods to reset over-current protection after it activates. If the load current is still higher than the current limit setting, the over-current protection will be activated again.

- Press the OUT ON button to turn the output on.
- Turn the AC power off, wait a few seconds, and turn it on.
- Turn the output off, then on again using the Shut Off pin on the J1 connector. This only applies in Auto-Restart mode.
- Press the OCP/488 button to cancel over-current protection. The display will show OFF because OCP protection is latched. Press the OUT ON button to reset OCP. With this method, the over-current protection is disabled. If the load current is still higher than the current limit setting, the power supply will only attempt to limit the current at the current limit setting.

Over-Temperature Protection

The over-temperature protection circuit shuts down the power supply before the internal components can exceed their safe internal operating temperature. This can occur if there is a cooling fan failure. When an OTP condition occurs, the output is disabled, the display shows O7P, the PROT indicator blinks, and the OT status bit is set in the Questionable Condition status register. Resetting the OTP circuit can be automatic (non-latched) or manual (latched) depending on the Safe-Start or Auto-Restart mode.

In Safe-Start mode, the OTP circuit is latched. The display continues to show O7P and the PROT indicator continues to blink. To reset the OTP circuit, press the OUT ON button.

In Auto-Restart mode, the OTP circuit is non-latched. The power supply returns to its last setting automatically when the over-temperature condition is removed.

Power-Fail Protection

If the AC power stops briefly, but returns before the power supply has reset, the power-fail protection circuit trips and the PF status bit is set in the Questionable Condition status register. Resetting the power-fail protection can be automatic (non-latched) or manual (latched), depending on the Safe-Start or Auto-Restart mode.

In Safe-Start mode, the output of the power supply is Off, as specified by the reset state when AC power returns. In Auto-Restart mode, the power supply recovers its last settings when AC power returns.

Front Panel Lock-Out

The front panel controls can be locked to protect from accidental power supply parameter change. Press and hold the LIMIT button to toggle between Locked front panel and Unlocked front panel. The display will cycle between LFP and UFP. Releasing the LIMIT button while one of the modes is displayed, selects that mode.

In Unlocked front panel mode, the front panel controls are enabled to program and monitor the power supply parameters.

In Locked front panel mode, the VOLTAGE and CURRENT knobs, the OCP/488 button, and the OUT ON button are disabled

The power supply will not respond to attempts to use these controls. The display will show LFP to indicate that the front panel is locked. The OVP/UVL button remains active to preview the OVP and UVL setting. The LIMIT button also remains active to preview the output voltage and current setting or to unlock the front panel.

NOTE

This function operates independently of the SCPI SYST:COMM:RLST command. If the front panel has been locked from the front panel, it cannot be unlocked by SYST:COMM:RLST. Conversely, if the front panel has been locked by SYST:COMM:RLST, it cannot be unlocked from the front panel.

Output On/Off Controls

The Output On/Off controls turn the power supply output on or off. This can be done with the front panel OUT ON button or from the rear panel J1 connector. With the output off, adjustments can be made to the power supply or the load without shutting off AC power.

OUT ON button

The OUT ON button can be pressed at any time to enable or disable the power supply output. When the output is disabled, the output voltage and current go to zero and the display shows OFF.

Safe-Start and Auto-Restart

The power supply can be programmed to have either the last operating settings (Auto-Restart) or the reset settings (Safe-Start) apply at turn-on. Press and hold the OUT ON button to select between Safe-Start and Auto-Restart modes. The display continuously cycles between SAF and AUT every three seconds. Releasing the OUT ON button while one of the modes is displayed, selects that mode.

In Safe-Start mode, the power supply turns on with the reset settings (see chapter 5 under “*RST”). The output is disabled and the output voltage and current are zero. This is the factory default.

CAUTION

After the “OFF” is first displayed, you need to allow a few seconds for the unit to stabilize before you enable the output with the OUT ON button. The output voltage and current settings may not be at zero during this stabilization time. Check that the settings are stable by pressing the LIMIT button and verifying that the voltage and current settings indicate zero.

In Auto-Restart mode, the power supply restores the operating settings that were saved when it was last turned off (see below). The output is either enabled or disabled according to its last setting.

Output On/Off state	UVL level
Output voltage setting	OCP setting
Output current setting	Locked/Unlocked front panel
OVP level	Start-up mode

Output Shut-Off Terminals

Output Shut-Off (SO) terminals are available on the J1 connector to enable or disable the power supply output. **This function is edge-triggered.** J1 pin 15 is the Shut-Off input, and pins 2 and 3, which are connected internally, are the signal common. All pins are optically isolated from the power supply output. The Shut-Off input accepts a 2.5V-to-15V signal or an open/short contact to enable or disable the output. The Shut-Off control logic is selected by SW1 setup switch 5.

When an on-to-off transition is detected at the Shut-Off input, the Shut-Off

function enables or disables the output according to the signal level or the open/short applied to J1 pin 15. When the output has been disabled by the Shut-Off function, the display shows SO to indicate the output is disabled.

To re-enable the output after it has shut down, you must disable the Shut-Off signal. In Auto-Restart mode, operation resumes automatically. In Safe-Start mode the Shut-Off function is latched. You must also press the OUT ON button or send an OUTPut:PROTection:CLEar command to resume operation.

The Shut-Off function can be used to shut down multiple power supplies in a daisy-chain fashion as explained later in this chapter. It can also be used to reset the OVP and OCP as previously described.

SW1 switch 5	SO Signal Level	Output	Display
Down (default)	2 - 15 V or Open	On	Voltage/Current
	0 - 0.4V or Short	Off	SO
Up	2 - 15 V or Open	Off	SO
	0 - 0.4V or Short	On	Voltage/Current

NOTE

Because this function is edge-triggered, it may not be triggered by every state change. For example, after applying AC power, the output will not be disabled by the Shut Off function if the Shut-Off input is in the shut-off state. This is because the unit has not detected an on-to-off signal transition.

Enable/Disable Terminals

CAUTION

To prevent possible damage to the unit, do not connect the Enable + or Enable - terminals to the positive or negative output terminals.

Enable/Disable terminals are available on the J1 connector to enable or disable the power supply output. **This function is level-triggered.** Simply connect a switch or relay between J1 pins 1 and 14. This function is activated by SW1 setup switch 9.

These pins disable the output when they are opened. When the output is disabled, the PROT indicator on the front panel will blink.

To re-enable the output after it has shut down, you must short the Enable + and Enable - terminals. In Auto-Restart mode, operation resumes automatically. In Safe-Start mode the Enable/Disable function is latched. You must also press the OUT ON button or send an OUTPut:PROTection:CLEar command to resume operation.

SW1 switch 9	ENA+/ENA- pins	Output	Display	Prot Indicator
Down (default)	Not active	On	Voltage/Current	Off
Up	Opened	Off	ENA	Blinking
	Shorted	On	Voltage/Current	Off

Power Supply OK Signal

The Power Supply OK signal on the J1 connector indicates a fault condition in the power supply. J1 pin 16 is a TTL output signal. Pins 2 and 3, which are connected internally, are the signal common. All pins are optically isolated from the power supply output. With no fault, Power Supply OK is high, with a maximum source current of 2mA. When a fault occurs, Power Supply OK is low, with a maximum sink current of 1mA. The following faults set this signal low:

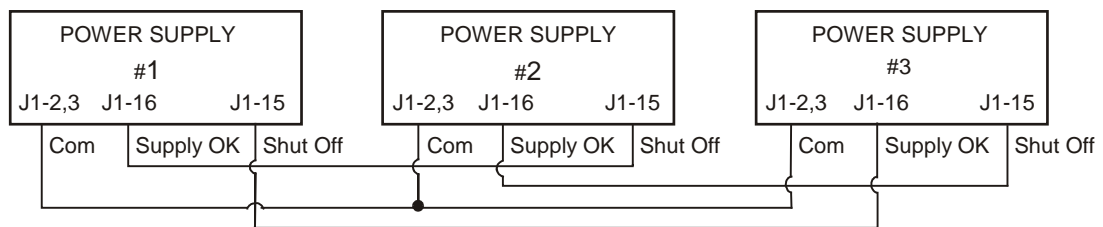
Over-voltage protection	Enable/Disable signal true
Over-current protection	Shut Off signal true
Over-temperature protection	Remote interface failure
AC line failure	Output turned off

Daisy-Chain Output Shut-down

It is possible to configure a multiple power supply system to shut down all the units when a fault condition occurs in one of the units. SW1 setup switch 5 must be in the Down position to enable the daisy-chain operation. Other switches are unaffected by this setting.

If a fault occurs in one unit, its Power Supply OK signal is set low and its display will indicate the fault. The other units shut off with their displays indicating SO. When the fault condition is cleared, all units will recover according to their Safe-Start or Auto-Restart settings.

The following figure shows three units daisy-chained - the same connection method can be used with additional units. The Shut Off and Power Supply OK signals are referenced to Chassis Common (J1 pins 2 and 3).



Analog Programming of Output Voltage and Current

CAUTION

J1 pin 12, pin 22, and pin 23 are internally connected to the negative sense terminal. Do not reference these pins to any terminal other than the negative sense terminal, as it may damage the unit.

In Local mode, the output voltage and current is programmed with the front panel VOLTAGE and CURRENT knobs or over the remote interface. In Analog mode, the output voltage and current can be programmed either by an analog voltage or by resistors connected to the rear panel J1 connector.

The J1 connector also provides monitoring signals for the output voltage and output current. The programming range and monitoring signal range can be selected using the SW1 setup switch.

NOTE

With analog programming enabled, you cannot program the output voltage or current using the front panel knobs or the remote interface. However, you can read back output voltage or current from the front panel or the remote interface.

Analog Programming Control Terminals

J1 connector pin 8 accepts a TTL signal or an open/short contact switch (referenced to pin 12) to select between Local or Analog programming of the output voltage and current. This function is enabled or disabled by SW1 setup switches 1 and 2.

J1 connector pin 21 is an open collector output that indicates if the power supply is in Local mode or in Analog mode. To use this output, connect a pull-up resistor to a voltage source of 30 VDC maximum. Choose the pull-up resistor so that the sink current will be less than 5mA when the output is in low state.

SW1 switch 1 and 2	J1 pin 8 function	J1 pin 21 signal	Output voltage/current control
Both Down (default)	No effect	Open	Local
Either one, or both Up	0 or Short	0~0.6V	Analog
	1 or Open	Open	Local

Voltage Programming of Output Voltage and Current

CAUTION

To maintain the isolation of the power supply and prevent ground loops, use an isolated programming source when operating the unit using analog programming.

Voltage programming sources of 0 - 5 V or 0 - 10 V can be used to program the output voltage and current limit from zero to full scale.

Set the power supply to analog voltage programming as follows:

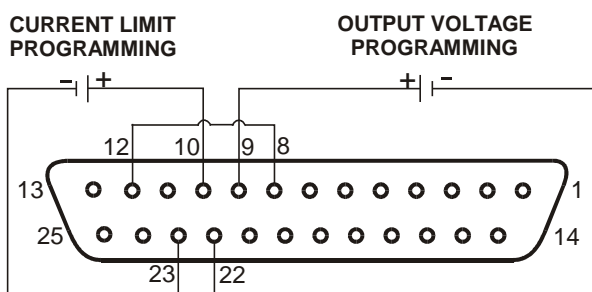
- Make sure that the power supply is turned off.
- Set SW1 setup switch 1 (for voltage) and 2 (for current) to the Up position.
- Set SW1 setup switch 3 to select programming voltage range according to the following table.
- Make sure that SW1 setup switches 7 and 8 are set Down.
- Connect a short between J1 pin 8 and J1 pin 12 (see figure).
- Connect the programming source to the mating plug of J1 as shown in the following figure. Observe the correct polarity for the voltage source.

3 Operating the Power Supply Locally

- Set the programming sources to the desired levels and turn the power supply on. Adjust the programming sources to change the power supply output.

The analog control circuits let you set the output voltage and current limit up to 5% over the model-rated maximum value. The power supply will operate within the extended range, however it is not recommended to operate the power supply over its voltage and current rating, and performance in this region is not guaranteed.

SW1 switch 3	Voltage Programming (J1 pin 9)	Current Programming (J1 pin 10)
Down (default)	0 – 5 V	0 – 5 V
Up	0 – 10 V	0 – 10 V



Resistance Programming of Output Voltage and Current

Resistances of 0 – 5 k Ω or 0 – 10 k Ω can be selected to program the output voltage and current limit from zero to full scale. Internal current sources supply a 1mA current through the external resistors. The voltage drop across the resistors is used as the programming voltage for the power supply. To maintain the temperature stability specification of the power supply, only use resistors that are stable and low noise, with a temperature coefficient less than 50ppm.

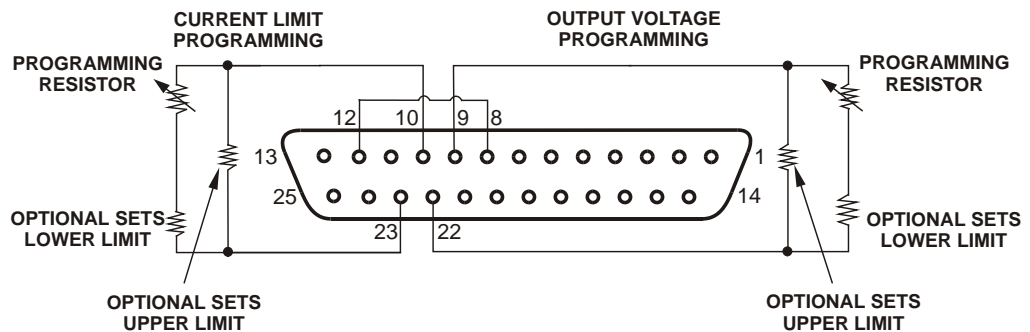
Set the power supply to resistance programming as follows:

- Make sure that the power supply is turned off.
- Set SW1 setup switch 1 (for voltage) and 2 (for current) to the UP position.
- Set SW1 setup switch 3 to select programming resistance range according to the following table.
- Set SW1 setup switch 7 (for voltage) and 8 (for current) to the Up position to enable resistance programming.
- Connect a short between J1 pin 8 and J1 pin 12 (see figure).
- Connect the programming resistors to the mating plug of J1 as shown in the following figure. A variable resistor can control the output over its entire range, or a combination of variable resistor and series/parallel resistors can control the output over a restricted portion of its range.

- Set the programming resistors to the desired resistance and turn the power supply on. Adjust the resistors to change the power supply output.

The analog control circuits let you set the output voltage and current limit up to 5% over the model-rated maximum value. The power supply will operate within the extended range, however it is not recommended to operate the power supply over its voltage and current rating, and performance in this region is not guaranteed.

SW1 switch 3	Voltage Programming (J1 pin 9)	Current programming (J1 pin 10)
Down (default)	0 – 5 kΩ	0 – 5 kΩ
Up	0 – 10 kΩ	0 – 10 kΩ



External Monitoring of Output Voltage and Current

The J1 connector also provides analog signals for monitoring the output voltage and current. Selection of the voltage range between 0 – 5 V or 0 – 10 V is made by SW1 setup switch 4. The monitoring signals represent 0 to 100% of the power supply output voltage and current rating. The monitor outputs have a 500 Ω series output resistance. Make sure that the sensing circuit has an input resistance greater than 500 kΩ or the accuracy will be reduced.

SW1 switch 4	Voltage range	J1 signal connection	Signal function
Down (default)	0 – 5 V	J1 pin 11	Voltage Monitor
		J1 pin 24	Current Monitor
Up	0 – 10 V	J1 pin 11	Voltage Monitor
		J1 pin 24	Current Monitor

J1 pin 12 is the signal common for J1 pins 11 and 24.

4

Operating the Power Supply Remotely

Connecting to the Interfaces	50
SCPI Commands – an Introduction	59

This chapter contains information on how to configure the three remote interfaces that are provided on the back of the instrument. In most cases you can connect your power supply to any one of these interfaces and be up and running with a minimum amount of configuration.

NOTE

Detailed information on configuring the remote interfaces is included in the documentation that you receive when you download the Keysight IO Libraries Suite, which is available at <http://www.keysight.com/find/iosuite>.

This chapter also contains a brief introduction to the SCPI Programming language. SCPI (Standard Commands for Programmable Instruments) is a programming language for controlling instrument functions over the GPIB. SCPI is layered on top of the hardware-portion of IEEE 488.2. The same SCPI commands and parameters control the same functions in different classes of instruments.

Connecting to the Interfaces

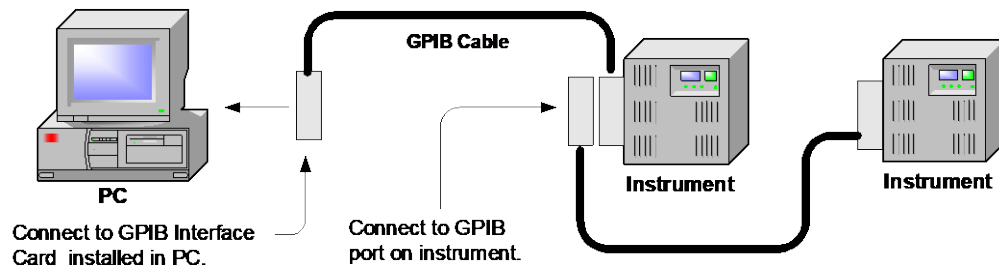
The Keysight N5700 power supplies support remote interface communication using a choice of three interfaces: GPIB, USB, and LAN. All three interfaces are live at power-on.

GPIB Interface

NOTE Units purchased with Option NGP do not have a GPIB interface.

For detailed information about GPIB interface connections, refer to the documentation that you receive when you download the Keysight IO Libraries Suite.

The following steps will help you quickly get started connecting your instrument to the General Purpose Interface Bus (GPIB). The following figure illustrates a typical GPIB interface system.



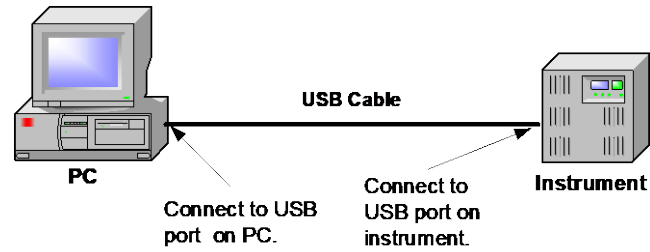
- 1 If you have not already done so, install the Keysight IO Libraries Suite.
- 2 If you do not have a GPIB interface card installed on your computer, turn off your computer and install the GPIB card.
- 3 Connect your instrument to the GPIB interface card using a GPIB interface cable.
- 4 Use the Connection Expert utility of the Keysight IO Libraries Suite to configure the installed GPIB interface card's parameters.
- 5 The power supply is shipped with its GPIB address set to 5. Use the front panel menu if you need to change the GPIB address.
 - a Press and hold the OCP/488 button for about three seconds. The DC VOLTS display will show the present GPIB address.
 - b To change the GPIB address, turn the voltage knob until the desired GPIB address appears in the display. Valid GPIB addresses are in the range of 0 to 30.
- 6 You can now use Interactive IO within the Connection Expert to communicate with your instrument, or you can program your instrument using the various programming environments.

USB Interface

NOTE

For detailed information about USB interface connections, refer to the documentation that you receive when you download the Keysight IO Libraries Suite.

The following steps will help you quickly get started connecting your USB-enabled instrument to the Universal Serial Bus (USB). The following figure illustrates a typical USB interface system.



- 1 If you have not already done so, install the Keysight IO Libraries Suite,
- 2 Connect your instrument to the USB port on your computer.
- 3 With the Connection Expert utility of the Keysight IO Libraries Suite running, the computer will automatically recognize the instrument. This may take several seconds. When the instrument is recognized, your computer will display the VISA alias, IDN string, and VISA address. This information is located in the USB folder.

NOTE

The VISA address is: `USB0::2391::2055::serialnumber::0:INSTR` where 2391 is the Keysight code, 2055 is the N5700 code, and serial number is the 10-character serial number located on the label on the side of the unit.

- 4 You can now use Interactive IO within the Connection Expert to communicate with your instrument, or you can program your instrument using the various programming environments.

LAN Interface

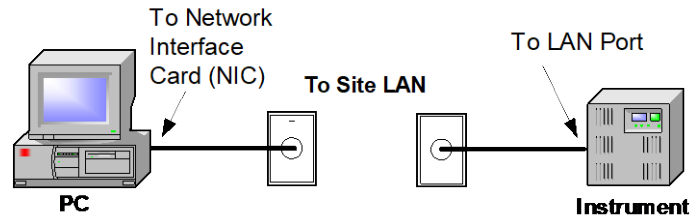
NOTE

For detailed information about LAN interface connections, refer to the documentation that you receive when you download the Keysight IO Libraries Suite.

The following steps will help you quickly get started connecting and configuring your instrument on a local area network (LAN). The two types of local area networks connections that are discussed in this section are site networks and private networks.

Connecting to a Site LAN

A site LAN is a local area network in which LAN-enabled instruments and computers are connected to the network through routers, hubs, and/or switches. They are typically large, centrally-managed networks with services such as DHCP and DNS servers.



- 1 If you have not already done so, install the Keysight IO Libraries Suite.
- 2 Connect the instrument to the site LAN. Provided that your network has a DHCP server and uses Dynamic DNS naming service, the instrument will automatically obtain an IP address from the network. This may take up to one minute. It will also register its hostname with the dynamic DNS server. The default hostname can then be used to communicate with the instrument.

The front panel **LAN** indicator will come on when the LAN port has been configured. If you are unable to communicate with the instrument, check that a valid IP address has been assigned. Press the front panel LAN button to view the IP address.

NOTE

Each Keysight N5700 power supply is shipped with a default hostname with the format: A-modelnumber-serialnumber where *modelnumber* is the instrument's 6-character model number (e.g. N5741A), and *serialnumber* is 5th through the 9th character of the 10-character serial number located on the label on the side of the unit (e.g. H1234 if the serial number is US24H12345). A-N5741A-H1234 is an example of a hostname.

- 3 Use the Connection Expert utility of the Keysight IO Libraries Suite to add the N5700 power supply and verify a connection. To add the instrument, you can request the Connection Expert to discover the instrument. If the instrument cannot be found, you can add the instrument using the instrument's hostname.

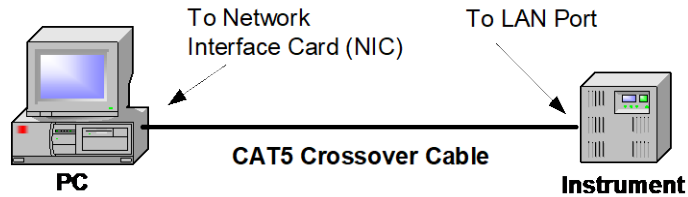
NOTE

If this does not work, refer to the Troubleshooting sections in the Connection Expert utility that you received when you downloaded the IO Libraries Suite.

- 4 You can now use Interactive IO within the Connection Expert to communicate with your instrument, or you can program your instrument using the various programming environments. You can also use the Web browser on your computer to communicate with the instrument as described under "Using the Web Server" later in this chapter.

Connecting to a Private LAN:

A private LAN is a network in which LAN-enabled instruments and computers are directly connected, and not connected to a site LAN. They are typically small, with no centrally-managed resources.



- 1 If you have not already done so, install the Keysight IO Libraries Suite,
- 2 Connect the instrument to the computer using a LAN crossover cable. Alternatively, connect the computer and the instrument to a standalone hub or switch using regular LAN cables.

NOTE

Make sure your computer is configured to obtain its address from DHCP and that NetBIOS over TCP/IP is enabled. If the computer had been connected to a site LAN, it may still retain previous network settings from the site LAN. Wait one minute after disconnecting it from the site LAN before connecting it to the private LAN. This allows Windows to sense that it is on a different network and restart the network configuration. If you are running Windows 98, you may need to manually release the previous settings.

- 3 The factory-shipped instrument LAN settings are configured to automatically obtain an IP address from the network using a DHCP server, or using AutoIP if a DHCP server is not present. You can leave these settings as they are. Most Keysight products and most computers will automatically choose an IP address using auto-IP if a DHCP server is not present. Each assigns itself an IP address from the block 169.254.nnn. Note that this may take up to one minute.

The front panel **LAN** indicator will come on when the LAN port has been configured. If you are unable to communicate with the instrument, check that a valid IP address has been assigned. Press the front panel LAN button to view the IP address.

- 4 Use the Connection Expert utility of the Keysight IO Libraries Suite to add the N5700 power supply and verify a connection. To add the instrument, you can request the Connection Expert to discover the instrument. If the instrument cannot be found, you can add the instrument using the instrument's hostname. The default hostname is described under "Connecting to a Site LAN".

NOTE

If this does not work, refer to the Troubleshooting sections in the Connection Expert utility that you received when you downloaded the IO Libraries Suite.

- 5 You can now use Interactive IO within the Connection Expert to communicate with your instrument, or you can program your instrument using the various programming environments. You can also use the Web browser on your computer to communicate with the instrument as described under “Using the Web Server”.

LAN Communication

The Keysight IO Libraries Suite along with instrument drivers for specific programming environments can be used to communicate with your power supply. You can also communicate with your power supply using its built-in Web server, the Telnet utility, or sockets. These latter methods are a convenient way to communicate with the power supply without using I/O libraries or drivers.

Ethernet Connection Monitoring

Keysight N5700 power supplies that have the LXI label on the front panel provide Ethernet connection monitoring. With Ethernet connection monitoring, the instrument’s LAN port is continually monitored, and automatically reconfigured when the instrument is unplugged for a minimum of 20 seconds and then reconnected to a network. The front panel **LAN** indicator will come on when the LAN port is connected and configured.

Using the Web Server

Your power supply has a built-in Web server that lets you control it directly from an internet browser on your computer. With the Web server, you can control and configure all of the front panel functions as well as additional functions such as triggering and the LAN parameters, which are not available from the front panel.

NOTE

The built-in Web server only operates over the LAN interface. It requires Internet Explorer 7+. You also need the Java Plug-in version 7+. This is included in the Java Runtime Environment.

The Web server is enabled when shipped. To launch the Web server:

- 1 Open the internet browser on your computer.
- 2 In the Tools menu, under Internet Options, select Connections, then LAN Settings, and make sure that the Bypass proxy server for local addresses box is checked.
- 3 Enter the instrument’s hostname into the browser’s Address field to launch the Web server. The following home page will appear.
- 4 Click on the Browser Web Control button in the navigation bar on the left to begin controlling your instrument.
- 5 For additional help about any of the pages, click on the Help with this Page button.

If desired, you can control access to the Web server using password protection. As shipped from the factory, no password is set. To set a password, refer to the section “Configuring the LAN Parameters”.

KEYSIGHT TECHNOLOGIES N5700/N8700 System DC Power Supply

Welcome to your **Web-Enabled N5748A**

Information about this Web-Enabled System DC Power Supply:

Instrument:	N5748A
Serial Number:	US20N7253J
Description:	Keysight N5748A Power Supply - US20N7253J
DNS Hostname:	A-N5748A-7253J
NetBIOS Name:	A-N5748A-7253J
mDNS Hostname:	A-N5748A-7253J.local
IP Address:	141.121.202.167
Instrument Address String:	TCPIP:A-N5748A-7253J:inst0:INSTR

[Turn On Front Panel Identification Indicator](#)

Advanced information about this Web-Enabled System DC Power Supply

Use the navigation bar on the left to access your N5748A and related information.

© Keysight Technologies, Inc. 2014

Using Telnet

In an MS-DOS Command Prompt box type: `telnet hostname 5024` where *hostname* is the N5700 hostname or IP address, and 5024 is the instrument's telnet port.

You should get a Telnet session box with a title indicating that you are connected to the power supply. Type the SCPI commands at the prompt.

Using Sockets

Keysight instruments have standardized on using port 5025 for SCPI socket services. A **data socket** on this port can be used to send and receive ASCII/SCPI commands, queries, and query responses. All commands must be terminated with a newline for the message to be parsed. All query responses will also be terminated with a newline. The power supply allows any combination of up to three simultaneous data socket and telnet connections to be made.

The socket programming interface also allows a **control socket** connection. The control socket can be used by a client to send device clear and to receive service requests. Unlike the data socket, which uses a fixed port number, the port number for a control socket varies and must be obtained by sending the following SCPI query to the data socket: `SYSTEM:COMMunicate:TCPIP:CONTROL?`

After the control port number is obtained, a control socket connection can be opened. As with the data socket, all commands to the control socket must be terminated with a newline. All query responses will also be terminated with a newline.

To send a device clear, send the string "DCL" to the control socket. When the power supply has finished performing the device clear it echoes the string "DCL" back to the control socket.

Service requests are enabled for control sockets using the Service Request Enable register. Once service requests have been enabled, the client program listens on the control connection. When SRQ goes true

the instrument will send the string “SRQ +nn” to the client. The “nn” is the status byte value, which the client can use to determine the source of the service request.

Configuring the LAN Parameters

To configure the LAN parameters from the instrument's Web server, launch the Web server as previously described, and click on the View & Modify Configuration tab on the left side of the page. Then click on the Modify Configuration button on the top of the page. The following screen lets you modify the LAN parameters:

Parameter	Value
IP Address Configuration:	<input checked="" type="radio"/> Automatic <input type="radio"/> Manual
IP Address:	<input type="text"/>
Subnet Mask:	<input type="text"/>
Default Gateway:	<input type="text"/>
DNS Server Address Configuration:	<input checked="" type="radio"/> Automatic <input type="radio"/> Manual
Preferred DNS Server:	<input type="text"/>
Alternate DNS Server:	<input type="text"/>
Desired Hostname:	A-N5748A-7253J (Requires reboot to take effect)
Description: <small>Used as the desired mDNS service name</small>	Keysight N5748A DC Power Supply - US20N7253J
mDns Enabled:	<input checked="" type="checkbox"/> Enabled
Password:	<input type="checkbox"/> Set a Password <input type="text"/> (Enter New password) <input type="text"/> (Confirm New password)

The configurable LAN parameters are described as follows:

IP Address Configuration This setting indicates how the instrument will determine its IP Address, Subnet Mask, and Default Gateway.

If Automatic is selected, the instrument tries to obtain an IP address from a DHCP server. If a DHCP server is found, the DHCP server assigns an IP address, Subnet Mask and Default Gateway to the instrument. If no DHCP server is found, the instrument automatically configures its IP address and Subnet Mask using Dynamically Configured Link Local Addressing (Auto-IP), which results in an address in the range 169.254.xxx.yyy.

If Manual is selected, the instrument uses the IP Address, Subnet Mask, and Default Gateway defined below..

IP Address This value is the instrument's Internet Protocol (IP) address. An IP Address is four decimal numbers from 0 to 255 separated by periods. It is required for all IP and TCP/IP communications with the instrument.

Note that the Internet Engineering Task Force reserved the IP address range of 169.254.1.0 to 169.254.254.255 for link-local addressing (auto-IP). Do not assign a manual (static) IP address within this range.

Subnet Mask	This value enables the instrument to determine whether a client IP address is on the same local subnet. When a client IP address is on a different subnet, all packets must be sent to the Default Gateway. A value of 0.0.0.0 or 255.255.255.255 disables subnetting.
Default Gateway	This value is the IP Address of the default gateway that allows the instrument to communicate with systems that are not on the local subnet. This is the default subnet gateway, where packets are sent that are destined for a device not on the local subnet, as determined by the subnet mask setting. A value of 0.0.0.0 disables subnetting.
DNS Server Address Configuration	<p>This setting indicates how the instrument will determine its DNS server, either manually or automatically from a DHCP server.</p> <p>If Automatic is selected, the instrument tries to obtain a DNS server address from a DHCP server.</p> <p>If Manual is selected, the instrument uses the DNS servers defined below.</p>
Preferred DNS Server	This is the address of the Domain Name System (DNS) server. DNS is an internet service that translates domain names into IP addresses. The instrument uses this server to determine and display its hostname.
Alternate DNS Server	This is the address of the alternate Domain Name System (DNS) server.
Desired Hostname	If Dynamic DNS is available on your network and your instrument uses DHCP, the Hostname is registered with the Dynamic DNS service at power-on. If the field is blank, the factory default hostname is restored. A hostname must start with a letter and may contain upper and lower case letters, numbers and dashes(-). The Maximum length is 15 characters. The default format is A-<modelnumber>-<digits 5 through 9 of serialnumber>.
Description	This field contains the desired mDNS service name for the instrument, which makes it easy to identify the device on the network. This description is also shown on the instrument's Welcome page. If the field is blank, the factory default description is restored. Maximum length is 39 characters.
mDNS Enabled	This enables or disables mDNS service announcements. mDNS is affected by the Desired Hostname and Description fields.
Password	If a password has been set, you will be prompted for it before going to the Modify Configuration and Browser Web Control pages. The password may contain letters, numbers, or underscores (_). Once set, the password may be disabled by entering the old password, and leaving the new password fields empty. The password is also cleared by a LAN Reset from the instrument's front panel. Maximum length is 12 characters.

NOTE The configuration parameters on pre-Windows CE instruments (instruments manufactured before mid-2014) are slightly different than those described above. For a description of these previous parameters, access the Modify Configuration dialog; then click on the Help with this Page button.

Factory-shipped LAN Settings

The factory-shipped LAN settings documented in the following table are optimized for connecting your power supply to a site network. They should also work well for other network configurations.

The factory-shipped settings can be restored by pressing and holding the front panel LAN button for three seconds. Pressing the LAN button again while the message “LAN rES” is displayed resets the LAN settings.

Factory-shipped non-volatile LAN settings			
Get IP Address	Automatic	Alternate DNS server	Blank
IP Address	169.254.57.0	Desired Hostname	A-N57xxA-xxxxx
Subnet Mask	255.255.0.0	Description	Keysight N57xxA (serial#)
Default Gateway	0.0.0.0	mDNS Enabled	Enabled
DNS Server Address Configuration	Automatic	Password	Blank
Preferred DNS server	Blank		

SCPI Commands – an Introduction

SCPI (Standard Commands for Programmable Instruments) is an ASCII-based instrument command language designed for test and measurement instruments. SCPI commands are based on a hierarchical structure, also known as a tree system. In this system, associated commands are grouped together under a common node or root, thus forming subsystems. Subsystem commands perform specific power supply functions. A portion of the SOURce subsystem is shown below to illustrate the tree system.

```
[SOURce:]
  CURRent
    [:LEVel]
      [:IMMediate] <NRf+>
      :TRIGgered <NRf+>
    :PROTection
      :STATe <Bool>
```

SOURce is the root keyword of the command, CURRent is a second-level keyword, LEVel and PROTection are third-level keywords, and IMMediate, TRIGgered and STATe are fourth-level keywords. Colons (:) separate higher-level from lower-level keywords.

Syntax

The following command syntax is used in this manual:

- Square Brackets []** Items within square brackets are optional. The representation [SOURce:]VOLTage means that SOURce: may be omitted.
- Angle brackets < >** Items within angle brackets are parameter descriptions. For example, <NR1> indicates a specific form of numerical data.
- Vertical bar |** Vertical bars separate alternative parameters. For example, VOLT | CURR indicates that either "VOLT" or "CURR" can be used as a parameter.

The syntax characters cannot be included in the command string.

Multiple Commands in a Message

Multiple SCPI commands can be combined and sent as a single message with one message terminator. There are two important considerations when sending several commands within a single message:

- Use a semicolon (;) to separate commands within a message.
- There is an implied path that affects how commands are interpreted by the power supply.

The command path can be thought of as a string that gets inserted **before** each keyword within a message. For the first command in a message, the path is a null string. For each subsequent command the path is defined as the characters that make up the keywords of the previous command in the message up to and including the last colon separator. An example of a message with two commands is:

```
OUTPut:STATE ON;PROTEction:CLEAr
```

which shows the use of the semicolon separating the two commands, and also illustrates the command path concept. Note that with the second command, the leading keyword `OUTPut` was omitted because after the `OUTPut:STATE ON` command, the path became defined as `OUTPut`, and thus the second command was interpreted as:

```
OUTPut:PROTEction:CLEAr
```

In fact, it would have been incorrect to include the `OUTPut` keyword in the second command, because the result after combining it with the command path would be:

```
OUTPut:OUTPut:PROTEction:CLEAr
```

which would result in a syntax error.

Commands from Different Subsystems

In order to combine commands from different subsystems, you need to be able to reset the command path to a null string within a message. Beginning the command with a colon (:), discards the previous path. For example, you could clear the output protection and check the status of the Operation Condition register in one message by using a root specifier as follows:

```
OUTPut:PROTEction:CLEAr;:STATus:OPERation:CONDition?
```

The following message shows how to combine commands from different subsystems as well as within the same subsystem.

```
VOLTage:LEVEl 7.5;PROTEction 10;:CURREnt:LEVEl 0.25
```

Note the use of the optional keyword `LEVEl` to maintain the correct path within the subsystems, and the use of the root specifier (`:`) to move between subsystems.

Message Unit

The simplest SCPI command is a single message unit consisting of a keyword followed by a message terminator such as newline. The message unit may include a parameter after the keyword. The parameter can be numeric or a string.

```
ABORt<NL>
```

```
VOLTage 20<NL>
```

```
VOLTage:TRIGgered MINimum<NL>
```

Colons (`:`) separate higher-level keywords from lower-level keywords. Use a blank space to separate parameters from keywords. If a command requires more than one parameter, use commas to separate adjacent parameters.

In the previous examples, the upper-case letters indicate the abbreviated spelling for the keyword. For shorter program lines, you can send the abbreviated form. For better program readability, you can send

the long form. For example, VOLT and VOLTage are both acceptable forms. You can use upper- or lower-case letters. Therefore, VOLTAGE, Volt, and volt are all acceptable. Other forms, such as VOL and VOLTAG, generate an error.

Queries

You can query the current value of most commands by adding a question mark to the command (VOLTage?, VOLTage:TRIGgered?). If a query contains a parameter, place the query indicator at the end of the last keyword. Observe the following precautions with queries:

- Add a blank space between the query indicator (?) and any subsequent parameter. (VOLTage:TRIGgered? MAX)
- Set up the proper number of variables for the returned data.
- Read back all the results of a query before sending another command to the power supply. Otherwise a *Query Interrupted* error will occur and the unreturned data will be lost.

Common Commands

Common commands generally control overall power supply functions, such as reset, status, and synchronization. All common commands consist of a three-letter mnemonic preceded by an asterisk: *RST *IDN? *SRE 8

You can combine common commands with subsystem commands in the same message. Use semicolons to separate the common command from the subsystem commands. Common commands *do not affect the command path*; you may insert them anywhere in the message.

```
VOLTage:TRIGgered 10;:INITiate;*TRG
```

```
OUTPut OFF;*RCL 2;OUTPut ON
```

Command Terminators

A terminator informs SCPI that it has reached the end of a command. Three permitted command terminators are:

- newline (<NL>), which is ASCII decimal 10 or hex 0A.
- end or identify (<END>)
- both of the above (<NL><END>).

In the examples of this guide, the message terminator is assumed.

Parameter Types

Data programmed or queried from the power supply is ASCII. The data may be numerical or character string.

Numeric Parameters

Symbol	Response Formats
<NR1>	Digits with an implied decimal point assumed at the right of the least-significant digit. Examples: 273
<NR2>	Digits with an explicit decimal point. Example: 27.3
<NR3>	Digits with an explicit decimal point and an exponent. Example: 2.73E+02
Parameter Formats	
<NRf>	Extended format that includes <NR1>, <NR2> and <NR3>. Examples: 273 27.3 2.73E+02
<NRf+>	Expanded decimal format that includes <NRf> and MIN, MAX. Examples: 273 27.3 2.73E+02 MAX. MIN and MAX are the minimum and maximum limit values that are implicit in the range specification for the parameter.
<Bool>	Boolean Data. Can be numeric (0, 1), or named (OFF, ON).
<SPD>	String program data. String parameters enclosed in single or double quotes.

Suffixes and Multipliers

Class	Suffix	Unit	Unit with Multiplier
Current	A	ampere	MA (milliampere)
Amplitude	V	volt	MV (millivolt)
Time	S	second	MS (millisecond)
Common Multipliers			
1E3	K	kilo	
1E-3	M	milli	
1E-6	U	micro	

Response Data Types

Symbol	Response Formats
<CRD>	Character Response Data. Returns discrete parameters. Only the short form of the parameter is returned.
<AARD>	Arbitrary ASCII Response Data. Permits the return of undelimited 7-bit ASCII. This data type has an implied message terminator.
<SRD>	String Response Data. Returns string parameters enclosed in double quotes.

SCPI Command Completion

SCPI commands sent to the power supply are processed either sequentially or in parallel. Sequential commands finish execution before a subsequent command begins. Parallel commands allow other commands to begin executing while the parallel command is still executing.

The following is a list of parallel commands. You should use some form of command synchronization as discussed in this section before assuming that these commands have completed.

```
OUTPut:STATE          INITiate
VOLTage              OUTPut:PROtection:CLEar
CURRent
```

The *WAI, *OPC, and *OPC? common commands provide different ways of indicating when all transmitted commands, including any parallel ones, have completed their operations. Some practical considerations for using these commands are as follows:

***WAI** This command prevents the power supply from processing subsequent commands until all pending operations are completed. For example, the *WAI command can be used to make a voltage measurement after an output on command has completed:

```
OUTPut ON;*WAI;:MEASure:VOLTage?
```

***OPC?** This command places a 1 in the Output Queue when all pending operations have completed. Because it requires your program to read the returned value before executing the next program statement, *OPC? can be used to cause the controller to wait for commands to complete before proceeding with its program.

***OPC** This command sets the OPC status bit when all pending operations have completed. Since your program can read this status bit on an interrupt basis, *OPC allows subsequent commands to be executed.

NOTE

The trigger subsystem must be in the Idle state for the status OPC bit to be true. As far as triggers are concerned, OPC is false whenever the trigger subsystem is in the Initiated state.

Device Clear

You can send a Device Clear at any time to abort a SCPI command that may be hanging up the GPIB interface. Device Clear clears the input and output buffers of the power supply. The status registers, error queue, and all configuration states are left unchanged by Device Clear. Device Clear also prepares the power supply to accept a new command string. The following statement shows how to send a device clear over the GPIB interface using *Keysight BASIC*:

```
CLEAR 705          IEEE-488 Device Clear
```


5

Language Reference

SCPI Command Summary	66
Calibration Commands.....	68
Measure Commands	69
Output Commands	70
Source Commands.....	71
Status Commands	73
System Commands	79
Trigger Commands.....	81

This section gives the syntax and parameters for all the IEEE 488.2 SCPI Subsystem commands and Common commands used by the power supply. It is assumed that you are familiar with the material in chapter 4, which explains the terms, symbols, and syntactical structures used here and gives an introduction to programming. You should also be familiar with chapter 3, in order to understand how the power supply functions.

Subsystem commands are specific to functions. They can be a single command or a group of commands. The groups are comprised of commands that extend one or more levels below the root. The subsystem commands are arranged alphabetically according to the function they perform.

Common commands begin with an * and consist of three letters (command) or three letters and a ? (query). They are defined by the IEEE 488.2 standard to perform common interface functions. Common commands are grouped along with the subsystem commands according to the function they perform.

SCPI Command Summary

NOTE

Some [optional] commands have been included for clarity. All settings commands have a corresponding query.

Subsystem Commands

SCPI Command	Description
ABORT	Aborts the triggered action
CALibrate	
:CURRent[:LEVel]	Calibrates the output current programming
:DATA <NRf>	Enters the calibration value
:DATE <"SPD">	Sets the calibration date
:LEVel P1 P2	Advances to the next calibration step
:PASSword <NRf>	Sets the numeric calibration password
:STATE <Bool> [, <NRf>]	Enables/disables calibration mode
:VOLTage[:LEVel]	Calibrates the output voltage programming
INITiate	
[:IMMediate][:TRANsient]	Initiates the trigger system
:CONTinuous[:TRANsient]	Enables/disables continuous triggers
MEASure	
[:SCALar]	
:CURRent[:DC]?	Returns the measured output current
:VOLTage[:DC]?	Returns the measured output voltage
OUTPut	
[:STATe] <Bool>	Enables/disables the specified output
:PON	
:STATe RST AUTO	Programs the Power-On State
:PROTection	
:CLEar	Resets latched protection
[SOURce:]	
CURRent	
[:LEVel]	
[:IMMediate][:AMPLitude] <NRf+>	Sets the output current
:TRIGgered[:AMPLitude] <NRf+>	Sets the triggered output current
:PROTection	
:STATe <Bool>	Enables/disables over-current protection
VOLTage	
[:LEVel]	
[:IMMediate][:AMPLitude] <NRf+>	Sets the output voltage
:TRIGgered[:AMPLitude] <NRf+>	Sets the triggered output voltage
:LIMit	
:LOW <NRf+>	Sets the low-voltage limit
:PROTection	
[:LEVel] <NRf+>	Sets the over-voltage protection level

SCPI Command	Description
STATus	
:OPERation	
[:EVENT]?	Returns the value of the operation event register
:CONDition?	Returns the value of the operation condition register
:ENABle <NRf>	Enables specific bits in the Event register
:NTRansition<NRf>	Sets the Negative transition filter
:PTRansition<NRf>	Sets the Positive transition filter
:PRESet	Presets all enable and transition registers to power-on
:QUEStionable	
[:EVENT]?	Returns the value of the questionable event register
:CONDition?	Returns the value of the questionable condition register
:ENABle <NRf>	Enables specific bits in the Event register
:NTRansition<NRf>	Sets the Negative transition filter
:PTRansition<NRf>	Sets the Positive transition filter
SYSTem	
:COMMunicate	
:RLState LOCAL REMote RWLock	Specifies the Remote/Local state of the instrument
:ERRor?	Returns the error number and error string
:VERSion?	Returns the SCPI version number
TRIGger	
:SOURce BUS	Sets the measurement trigger source
[:TRANsient][:IMMEDIATE]	Generates a transient trigger

Common Commands

Command	Description
*CLS	Clear status
*ESE <NRf>	Standard event status enable
*ESE?	Return standard event status enable
*ESR?	Return event status register
*IDN?	Return instrument identification
*OPC	Enable "operation complete" bit in ESR
*OPC?	Return a "1" when operation complete
*OPT?	Return option number
*RCL <NRf>	Recalls a saved instrument state
*RST	Reset
*SAV <NRf>	Saves an instrument state
*SRE <NRf>	Set service request enable register
*SRE?	Return service request enable register
*STB?	Return status byte
*TRG	Trigger
*TST	Always returns a "0"
*WAI	Holds off bus until all device commands done

Calibration Commands

Calibration commands let you enable and disable the calibration mode, change the calibration password, calibrate current and voltage programming, and store new calibration constants in nonvolatile memory.

NOTE

If calibration mode has not been enabled with `CALibrate:STATe`, the calibration commands will generate an error.

CALibrate:CURRENT[:LEVEL]

This command initiates the calibration of the output current.

CALibrate:DATA <value>

This command enters a calibration value that you obtain by reading an external meter. You must first select a calibration level (with `CALibrate:LEVEL`) for the value being entered. Data values are entered in either volts or amperes, depending on which function is being calibrated.

CALibrate:DATE <"date">
CALibrate:DATE?

This command stores the date the unit was last calibrated. The data must be of the numeric format "yyyy/mm/dd" where yyyy indicates the year, mm indicates the month, and dd indicates the day. The query returns the date.

CALibrate:LEVEL P1|P2

This command selects the next point in the calibration sequence.
P1 is the first calibration point,
P2 is the second calibration point.

CALibrate:PASSWORD <password>

This command lets you change the calibration password. A new password is automatically stored in nonvolatile memory. If the password is set to 0, password protection is removed and the ability to enter calibration mode is unrestricted. The default password is 0 (zero).

CALibrate:STATE ON|OFF [,<password>]
CALibrate:STATE?

This command enables/disables calibration mode. Calibration mode must be enabled for the power supply to accept any other calibration commands. The first parameter specifies the enabled or disabled state On (1) or Off (0). The second parameter is the password.

A password is required if calibration mode is being enabled and the existing password is not 0. If the password is not entered or is incorrect, an error is generated and the calibration mode remains disabled. The query returns only the state, not the password.

The *RST value = Off.

CALibrate:VOLTage[:LEVEL]

This command initiates the calibration of the output voltage.

Measure Commands

Measure commands measure the output voltage or current. MEASure commands acquire new data before returning the reading. Measurement overflows return a reading of 9.91E+37.

MEASure[:SCALar]:CURRENT[:DC]?

MEASure[:SCALar]:VOLTage[:DC]?

These queries perform a measurement and return the DC output current in amperes or DC output voltage in volts.

Output Commands

Output commands enable the output, power-on, and protection functions.

OUTPut[:STATE] ON|OFF
OUTPut[:STATE]?

This command enables or disables the specified output(s). The enabled state is On (1); the disabled state is Off (0). The state of a disabled output is a condition of zero output voltage and a zero source current (see *RST). The query returns 0 if the output is off, and 1 if the output is on. The *RST value = Off.

OUTPut:PON:STATE RST|AUTO
OUTPut:PON:STATE?

This command determines if the power-on state will be determined by the reset state, or the settings the unit had when it was turned off. RST programs the unit to the reset state; AUTO programs the unit to the settings it had when it was turned off. The power-on state information is saved on non-volatile memory.

Refer to *RST and *RCL under System Commands for details.

OUTPut:PROtection:CLEar

This command clears the latched signals that have disabled the output. The over-voltage and over-current conditions are always latching. The over-temperature condition, AC-fail condition, Enable pins, and SO pins are latching if OUTPut:PON:STATE is RST, and non-latching if OUTPut:PON:STATE is AUTO.

All conditions that generate the fault must be removed before the latch can be cleared. The output is then restored to the state it was in before the fault condition occurred.

Source Commands

Source commands program the voltage, current, triggered, and protection functions.

```
[SOURCE:]CURRENT[:LEVEL][:IMMEDIATE][:AMPLITUDE] <value>|MIN|MAX
[SOURCE:]CURRENT[:LEVEL][:IMMEDIATE][:AMPLITUDE]? [MIN|MAX]
[SOURCE:]CURRENT[:LEVEL]:TRIGGERED[:AMPLITUDE] <value>|MIN|MAX
[SOURCE:]CURRENT[:LEVEL]:TRIGGERED[:AMPLITUDE]? [MIN|MAX]
```

These commands set the immediate and the triggered output current level. The values are programmed in amperes. The immediate level is the output current setting. The triggered level is a stored value that is transferred to the output when a trigger occurs. At *RST, the immediate and triggered current values = 0.

```
[SOURCE:]CURRENT:PROTECTION:STATE ON|OFF
[SOURCE:]CURRENT:PROTECTION:STATE?
```

This command enables or disables the over-current protection (OCP) function. The enabled state is On (1); the disabled state is Off (0). If the over-current protection function is enabled and the output goes into constant current operation, the output is disabled and OC is set in the Questionable Condition status register. The *RST value = Off.

An over-current condition can be cleared with the Output Protection Clear command after the cause of the condition is removed.

```
[SOURCE:]VOLTAGE[:LEVEL][:IMMEDIATE][:AMPLITUDE] <value>|MIN|MAX
[SOURCE:]VOLTAGE[:LEVEL][:IMMEDIATE][:AMPLITUDE]? [MIN|MAX]
[SOURCE:]VOLTAGE[:LEVEL]:TRIGGERED[:AMPLITUDE] <value>|MIN|MAX
[SOURCE:]VOLTAGE[:LEVEL]:TRIGGERED[:AMPLITUDE]? [MIN|MAX]
```

These commands set the immediate and the triggered output voltage level. The values are programmed in volts. The immediate level is the output voltage setting. The triggered level is a stored value that is transferred to the output when a trigger occurs. At *RST, the immediate and triggered voltage values = 0.

The range of values that can be programmed for these commands is coupled with the voltage protection and the voltage limit low settings. The maximum value for the immediate and triggered voltage level is either the value in the following table, or the voltage protection setting divided by 1.05; whichever is lower. The minimum value is either the value in the table, or the low voltage setting divided by 0.95; whichever is higher.

Note that triggered values can be programmed outside these limits, but an error will be generated when the trigger occurs.

Model (V rating)	6V	8V	12.5V	20V	30V	40V	60V	80V	100V	150V	300V	600V
Min. voltage level	0	0	0	0	0	0	0	0	0	0	0	0
Max. voltage level	6.3	8.4	13.12	21	31.5	41.9	62.85	83.8	104.7	157.1	314.2	628.5

[SOURCE:]VOLTage:LIMit:LOW <value>|MIN|MAX
[SOURCE:]VOLTage:LIMit:LOW? [MIN|MAX]

This command sets the low voltage limit of the output. When a low voltage limit has been set, the instrument will ignore any programming commands that attempt to set the output voltage below the low voltage limit. The*RST value = Min.

The range of values that can be programmed for this command is coupled with the immediate voltage level setting. The maximum value for the low voltage limit is either the value in the following table, or the immediate voltage setting multiplied by 0.95; whichever is lower. The minimum setting is the value in the table.

Model (V rating)	6V	8V	12.5V	20V	30V	40V	60V	80V	100V	150V	300V	600V
Min. low limit	0	0	0	0	0	0	0	0	0	0	0	0
Max. low limit	5.7	7.6	11.9	19	28.5	38	57	76	95	142	285	570

[SOURCE:]VOLTage:PROTection:LEVel <value>|MIN|MAX
[SOURCE:]VOLTage:PROTection:LEVel? [MIN|MAX]

This command sets the over-voltage protection (OVP) level of the output. The values are programmed in volts. If the output voltage exceeds the OVP level, the output is disabled and OV is set in the Questionable Condition status register. The*RST value = Max.

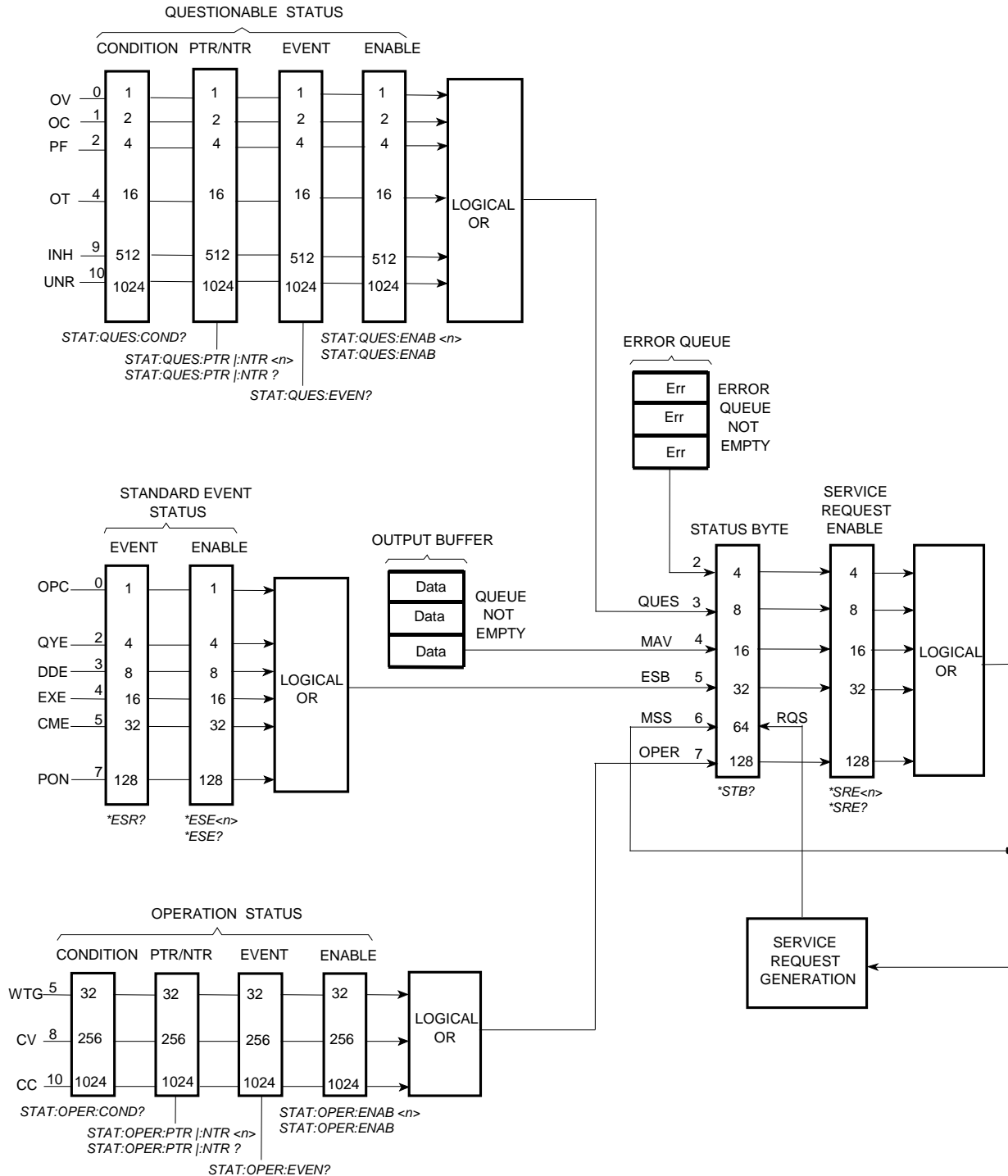
The range of values that can be programmed for this command is coupled with the immediate voltage level setting. The minimum value for the voltage protection level is either the value in the following table, or the immediate voltage setting multiplied by 1.05; whichever is higher. The maximum setting is the value in the table.

An over-voltage condition can be cleared with the Output Protection Clear command after the condition that caused the OVP trip is removed.

Model (V rating)	6V	8V	12.5V	20V	30V	40V	60V	80V	100V	150V	300V	600V
Min. protection limit	0.5	0.5	1.0	1.0	2.0	2.0	5.0	5.0	5.0	5.0	5.0	5.0
Max. protection limit	7.5	10	15	24	36	44	66	88	110	165	330	660

Status Commands

Status commands program the power supply's status registers. As shown in the following figure, the power supply has three groups of status registers; Operation, Questionable, and Standard Event. The Operation and Questionable status groups each consist of the Condition, Enable, and Event registers and NTR and PTR filters.



The Standard Event group is programmed with Common commands as described later in this section. Common commands also control additional status functions such as the Service Request Enable and the Status Byte registers.

STATus:PRESet

This command sets all defined bits in the Operation and Questionable PTR registers. The command clears all defined bits in the Operation and Questionable NTR and Enable registers.

STATus:OPERation[:EVENT]?

This query returns the value of the Operation Event register. The Event register is a read-only register, which stores (latches) all events that are passed by the Operation NTR and/or PTR filter. Reading the Operation Event register clears it. The bit configuration of the Operation status registers is as follows:

Bit Position	15-11	10	9	8	7-6	5	4-0
Bit Value	–	1024	–	256	–	32	–
Bit Name	–	CC	–	CV	–	WTG	–

CC = The output is in constant current

CV = The output is in constant voltage

WTG = The unit is waiting for a transient trigger

STATus:OPERation:CONDition?

This query returns the value of the Operation Condition register. That is a read-only register, which holds the live (unlatched) operational status of the power supply.

STATus:OPERation:ENABLE <value>

STATus:OPERation:ENABLE?

This command and its query set and read the value of the Operational Enable register. This register is a mask for enabling specific bits from the Operation Event register to set the operation summary bit (OPER) of the Status Byte register. This bit (bit 7) is the logical OR of all the Operational Event register bits that are enabled by the Status Operation Enable register. The Preset value = 0.

STATUS:OPERation:NTR <value>
STATUS:OPERation:PTR <value>
STATUS:OPERation:NTR?
STATUS:OPERation:PTR?

These commands set or read the value of the Operation NTR (Negative-Transition) and PTR (Positive-Transition) registers. These registers serve as polarity filters between the Operation Condition and Operation Event registers to cause the following actions:

- When a bit in the Operation NTR register is set to 1, then a 1-to-0 transition of the corresponding bit in the Operation Condition register causes that bit in the Operation Event register to be set.
- When a bit of the Operation PTR register is set to 1, then a 0-to-1 transition of the corresponding bit in the Operation Condition register causes that bit in the Operation Event register to be set.
- If the same bits in both NTR and PTR registers are set to 1, then any transition of that bit at the Operation Condition register sets the corresponding bit in the Operation Event register.
- If the same bits in both NTR and PTR registers are set to 0, then no transition of that bit at the Operation Condition register can set the corresponding bit in the Operation Event register.

The Preset value are: NTR = 0; PTR = 32767

STATUS:QUESTIONable[:EVENT]?

This query returns the value of the Questionable Event register. The Event register is a read-only register, which stores (latches) all events that are passed by the Questionable NTR and/or PTR filter. Reading the Questionable Event register clears it. The bit configuration of the Questionable status registers is as follows:

Bit Position	15-11	10	9	8-5	4	3	2	1	0
Bit Value	–	1024	512	–	16	–	4	2	1
Bit Name	–	UNR	INH	–	OT	–	PF	OC	OV

UNR = The output is unregulated

INH = The output is turned off by one of the external J1 inhibit signals

OT = The output is disabled by the over-temperature protection

PF = The output is disabled because AC power has failed

OC = The output is disabled by the over-current protection

OV = The output is disabled by the over-voltage protection

STATUS:QUESTIONable:CONDition?

This query returns the value of the Questionable Condition register. That is a read-only register, which holds the real-time (unlatched) questionable status of the power supply.

STATUS:QUESTIONABLE:ENABLE <value>
STATUS:QUESTIONABLE:ENABLE?

This command and its query set and read the value of the Questionable Enable register. This register is a mask for enabling specific bits from the Questionable Event register to set the questionable summary bit (QUES) of the Status Byte register. This bit (bit 3) is the logical OR of all the Questionable Event register bits that are enabled by the Questionable Status Enable register. The Preset value = 0.

STATUS:QUESTIONABLE:NTR <value>
STATUS:QUESTIONABLE:PTR <value>
STATUS:QUESTIONABLE:NTR?
STATUS:QUESTIONABLE:PTR?

These commands set or read the value of the Questionable NTR (Negative-Transition) and PTR (Positive-Transition) registers. These registers serve as polarity filters between the Questionable Condition and Questionable Event registers to cause the following actions:

- When a bit of the Questionable NTR register is set to 1, then a 1-to-0 transition of the corresponding bit of the Questionable Condition register causes that bit in the Questionable Event register to be set.
- When a bit of the Questionable PTR register is set to 1, then a 0-to-1 transition of the corresponding bit in the Questionable Condition register causes that bit in the Questionable Event register to be set.
- If the same bits in both NTR and PTR registers are set to 1, then any transition of that bit at the Questionable Condition register sets the corresponding bit in the Questionable Event register.
- If the same bits in both NTR and PTR registers are set to 0, then no transition of that bit at the Questionable Condition register can set the corresponding bit in the Questionable Event register.

The Preset values are: NTR = 0; PTR = 32767

***CLS**

This command causes the following actions on the status system:

- Clears the Standard Event Status, Operation Status Event, and Questionable Status Event registers
- Clears the Status Byte and the Error Queue
- If *CLS immediately follows a program message terminator (<NL>), then the output queue and the MAV bit are also cleared.

***ESE**
***ESE?**

This command programs the Standard Event Status Enable register bits. The programming determines which events of the Standard Event Status Event register (see *ESR?) are allowed to set the ESB (Event Summary Bit) of the Status Byte register. A "1" in the bit position enables the corresponding event.

All of the enabled events of the Standard Event Status Event Register are logically OR-ed to cause the Event Summary Bit (ESB) of the Status Byte Register to be set. The query reads the Standard Event The query reads the Standard Event Status Enable register. The bit configuration of the Standard Event register is as follows:

Bit Position	7	6	5	4	3	2	1	0
Bit Value	128	–	32	16	8	4	–	1
Bit Name	PON	–	CME	EXE	DDE	QUE	–	OPC

PON = Power-on has occurred DDE = Device-dependent error
CME = Command error QUE = Query error
EXE = Execution error OPC = Operation complete

***ESR?**

This query reads the Standard Event Status Event register. Reading the register clears it. The bit configuration is the same as the Standard Event Status Enable register (see *ESE).

***OPC**
***OPC?**

This command causes the instrument to set the OPC bit (bit 0) of the Standard Event Status register when the instrument has completed all pending operations. *Pending operations* are complete when:

- All commands sent before *OPC have been executed. This includes overlapped commands. Most commands are sequential and are completed before the next command is executed. Commands that affect output voltage, current or state, relays, and trigger actions are executed in parallel (or overlapped) with subsequent commands sent to the power supply. The *OPC command provides notification that all overlapped commands have been completed.
- All triggered actions are completed

*OPC does not prevent processing of subsequent commands, but bit 0 will not be set until all pending operations are completed.

*OPC? causes the instrument to place an ASCII "1" in the Output Queue when all pending operations are completed. Unlike *OPC, *OPC? prevents processing of all subsequent commands. It can be used at the end of a command line so that the program can monitor the bus for data until it receives the "1" from the Output Queue.

SRE**SRE?**

This command sets the condition of the Service Request Enable Register. This register determines which bits from the Status Byte Register are allowed to set the Master Status Summary (MSS) bit and the Request for Service (RQS) summary bit. A 1 in any Service Request Enable Register bit position enables the corresponding Status Byte Register bit and all such enabled bits then are logically OR-ed to cause Bit 6 of the Status Byte Register to be set.

When the controller conducts a serial poll in response to SRQ, the RQS bit is cleared, but the MSS bit is not. When *SRE is cleared (by programming it with 0), the power supply cannot generate an SRQ to the controller. The query returns the current state of *SRE.

***STB?**

This query reads the Status Byte register, which contains the status summary bits and the Output Queue MAV bit. Reading the Status Byte register does not clear it. The input summary bits are cleared when the appropriate event registers are read. The MAV bit is cleared at power-on, by *CLS' or when there is no more response data available.

A serial poll also returns the value of the Status Byte register, except that bit 6 returns Request for Service (RQS) instead of Master Status Summary (MSS). A serial poll clears RQS, but not MSS. When MSS is set, it indicates that the power supply has one or more reasons for requesting service.

Bit Position	7	6	5	4	3	2	1 – 0
Bit Value	128	64	32	16	8	4	–
Bit Name	OPER	MSS	ESB	MAV	QUES	ERR	–
		(RQS)					

OPER = Operation status summary

MSS = Master status summary

(RQS) = Request for service

ESB = Event status byte summary

MAV = Message available

QUES = Questionable status summary

ERR = Error queue not empty

***WAI**

This command instructs the power supply not to process any further commands until all pending operations are completed. Pending operations are as defined under the *OPC command. *WAI can be aborted only by sending the power supply a Device Clear command.

System Commands

System commands control system functions that are not directly related to output control, measurement, or status functions. Common commands are also used to control system functions.

SYSTem:COMMunicate:RLState LOCAL | REMote | RWLock SYSTem:COMMunicate:RLState?

This command configures the remote/local state of the instrument according to the following settings.

- LOCAL** The instrument is set to front panel control (front panel keys are active).
- REMOte** The instrument is set to remote interface control (front panel keys are active).
- RWLock** The front panel keys are disabled (the instrument can only be controlled via the remote interface).

The remote/local state can also be set by interface commands over the GPIB and some other I/O interfaces. When multiple remote programming interfaces are active, the interface with the most recently changed remote/local state determines the instrument's remote/local state.

The remote/local state is unaffected by *RST or any SCPI commands other than SYSTem:COMMunicate:RLState. At power-on however, the communications setting always returns to LOCAL.

SYSTem:COMMunicate:TCPIP:CONTROL?

This query returns the control connection port number. This is used to open a control socket connection to the instrument. Refer to chapter 4 under "Using Sockets" for more information.

SYSTem:ERROR?

This query returns the next error number and its corresponding message string from the error queue. The queue is a FIFO (first-in, first-out) buffer that stores errors as they occur. As it is read, each error is removed from the queue. When all errors have been read, the query returns 0, NO ERROR. If more errors are accumulated than the queue can hold, the last error in the queue will be -350, TOO MANY ERRORS (see Appendix C for error codes).

SYSTem:VERSion?

This query returns the SCPI version number to which the instrument complies. The returned value is of the form YYYY.V, where YYYY represents the year and V is the revision number for that year.

***IDN?**

This query requests the power supply to identify itself. It returns a string of four fields separated by commas.

<manufacturer>	Manufacturer
xxxxxA	Model number followed by a letter suffix
0	Zero or serial number if available
<A.xx.xx>,<A.xx.xx>	Firmware revision, power supply revision

***OPT?**

This query requests the unit to identify any installed options. A 0 indicates no options are installed.

***RCL <state>**

This command restores the power supply to a state that was previously stored in memory locations 0 through 15 with the *SAV command. Note that you can only recall a state from a location that contains a previously-stored state.

NOTE

All saved instrument states are lost when the unit is turned off.

***RST**

This command resets the power supply to a factory-defined state. This state is defined as follows. Note that *RST also forces an ABORT command. The *RST settings are as follows:

CAL:STAT	Off	[SOUR:]CURR:PROT:STAT	Off
INIT:CONT	Off	[SOUR:]VOLT	0
OUTP	Off	[SOUR:]VOLT:LIM	0
[SOUR:]CURR	0	[SOUR:]VOLT:TRIG	0
[SOUR:]CURR:TRIG	0	[SOUR:]VOLT:PROT	MAXimum

***SAV <state>**

This command stores the present state of the power supply to memory locations 0 through 15.

NOTE

All saved instrument states are lost when the unit is turned off.

***TST?**

Does nothing. This query always returns a zero.

Trigger Commands

Trigger commands consist of the Abort, Trigger, and Initiate commands. Initiate commands initialize the trigger system. Trigger commands control the triggering of the power supply.

ABORT

This command cancels any trigger actions in progress and returns the trigger system to the IDLE state, unless INIT:CONT is enabled. It also resets the WTG bit in the Status Operation Condition register. ABORT is executed at power-on and upon execution of *RST.

INITiate[:IMMediate][:TRANSient]

This command controls the enabling of output triggers. When a trigger is enabled, a trigger causes the specified triggering action to occur. If the trigger system is not enabled, all triggers are ignored.

INITiate:CONTinuous[:TRANSient] ON|OFF INITiate:CONTinuous[:TRANSient]?

This command continuously initiates output triggers. The enabled state is On (1); the disabled state is Off (0). When disabled, the trigger system must be initiated for each trigger with the INITiate command.

TRIGger[:TRANSient][:IMMediate]

If the trigger system has been initiated, this command generates an immediate output trigger. When sent, the output trigger will:

- Initiate an output change as specified by the CURR:TRIG or VOLT:TRIG settings.
- Clear the WTG bits in the Status Operation Condition register after the trigger action has completed.

TRIGger:SOURce BUS TRIGger:SOURce?

This command selects the trigger source for the output trigger system. Only BUS can be selected as the trigger source.

***TRG**

This command generates a trigger when the trigger source is set to BUS. The command has the same affect as the Group Execute Trigger (<GET>) command.

6

Programming Examples

Output Programming Example	84
Trigger Programming Example	86

This chapter contains several example programs to help you develop programs for your own application. The example programs are for illustration only, and are provided with the assumption that you are familiar with the programming language being demonstrated and the tools used to create and debug procedures. See Chapter 5, “Language Dictionary” for the SCPI command syntax.

You have a royalty-free right to use, modify, reproduce, and distribute the example programs (and/or any modified version) in any way you find useful, provided you agree that Keysight Technologies has no warranty, obligations, or liability for any example programs.

The example programs are written in Microsoft Visual Basic 6.0 using the VISA COM IO library. The VISA COM library is available for download on your unit’s product page on Keysight.com under Drivers, Firmware, and Software.

Output Programming Example

This program sets the voltage, current, over-voltage, and the over-current protection. It turns the output on and takes a voltage measurement. When done, the program checks for instrument errors and gives a message if there is an error.

```

Sub main_EZ()
  Dim IDN As String
  Dim IOaddress As String
  Dim ErrString As String

  ' This variable controls the voltage
  Dim VoltSetting As Double

  ' This variable measures the voltage
  Dim measVolt As Double

  ' This variable controls the current
  Dim CurrSetting As Double

  ' These variables control the over voltage protection settings
  Dim overVoltSetting As Double

  ' These variables control the over current protection
  Dim overCurrOn As Long

  'These variable are necessary to initialize the VISA COM.
  Dim ioMgr As KeysightRMLib.SRMClS
  Dim Instrument As VisaComLib.FormattedIO488

  ' The following command line provides the program with the VISA name of the
  ' interface that it will communicate with. It is currently set to use GPIB.
  IOaddress = "GPIB0::5::INSTR"

  ' Use the following line for LAN communication
  ' IOaddress="TCPIP0::141.25.36.214"

  ' Use the following line instead for USB communication
  ' IOaddress = "USB0::2391::1799::US00000002"

  ' Initialize the VISA COM communication
  Set ioMgr = New KeysightRMLib.SRMClS
  Set Instrument = New VisaComLib.FormattedIO488
  Set Instrument.IO = ioMgr.Open(IOaddress)

  VoltSetting = 3
  CurrSetting = 1.5
  overVoltSetting = 10
  overCurrOn = 1

  With Instrument
    ' Send a power reset to the instrument
    .WriteString "*RST"

    ' Query the instrument for the IDN string
    .WriteString "*IDN?"
    IDN = .ReadString

    ' Set the voltage
    .WriteString "VOLT" & Str$(VoltSetting)
  
```

```

' Set the over voltage level
.WriteString "VOLT:PROT:LEV " & Str$(overVoltSetting)

' Turn on over current protection
.WriteString "CURR:PROT:STAT " & Str$(overCurrOn)

' Set the current level
.WriteString "CURR " & Str$(CurrSetting)

' Turn the output on
.WriteString "OUTP ON"

' Make sure that the output is on before continuing
.WriteString "*OPC?"
.ReadString

' Measure the voltage
.WriteString "Meas:Volt?"
measVolt = .ReadNumber
MsgBox "Measured Voltage is " & Str$(measVolt)

' Check instrument for any errors
.WriteString "Syst:err?"
ErrString = .ReadString

' give message if there is an error
If Val(ErrString) Then
    MsgBox "Error in instrument!" & vbCrLf & ErrString
End If
End With
End Sub

```

Trigger Programming Example

This example illustrates how to set up and trigger a voltage and current change. The voltage is measured before and after the trigger.

```

Sub main_Trig()
  Dim IDN As String
  Dim IOaddress As String
  Dim ErrString As String
  Dim msg1 As String

  ' This variable is used to monitor the status
  Dim stat As Long

  ' This variable controls the voltage
  Dim VoltSetting As Double

  ' This variable measures the voltage
  Dim MeasureVolt As Double

  ' This variable controls the current
  Dim CurrSetting As Double

  ' This variable represents the trigger current setting
  Dim trigCurrSetting As Double

  ' This variable controls the triggered voltage setting
  Dim trigVoltSetting As Double

  ' This constant represents the register value for Waiting for Trigger
  Const WTG = 32

  ' These variables are necessary to initialize the VISA COM
  Dim ioMgr As KeysightRMLib.SRMClS
  Dim Instrument As VisaComLib.FormattedIO488

  ' The following line provides the VISA name of the GPIB interface
  IOaddress = "GPIB0::5::INSTR"

  ' Use the following line instead for LAN communication
  ' IOaddress="TCPIP0::141.25.36.214"

  ' Use the following line instead for USB communication
  ' IOaddress = "USB0::2391::1799::US00000002"

  ' Initialize the VISA COM communication
  Set ioMgr = New KeysightRMLib.SRMClS
  Set Instrument = New VisaComLib.FormattedIO488
  Set Instrument.IO = ioMgr.Open(IOaddress)

  VoltSetting = 3           ' volts
  CurrSetting = 2           ' amps
  trigVoltSetting = 5       ' volts
  trigCurrSetting = 3       ' amps

  With Instrument
    ' Send a power reset to the instrument
    .WriteString "*RST"

    ' Query the instrument for the IDN string
    .WriteString "*IDN?"
    IDN = .ReadString
  End With
End Sub

```

```

' Set the voltage
.WriteString "VOLT" & Str$(VoltSetting)

' Set the current level
.WriteString "CURR " & Str$(CurrSetting)

' Set the triggered voltage and current levels
.WriteString "VOLT:TRIG " & Str$(trigVoltSetting)
.WriteString "CURR:TRIG " & Str$(trigCurrSetting)

' Turn the output on
.WriteString "OUTP ON"

' Make sure that the output is on
.WriteString "*OPC?"
.ReadString

' Measure the voltage before triggering the change
.WriteString "MEAS:VOLT?"
MeasureVolt = .ReadNumber

' Save the value for later display
msg1$ = "Voltage before trigger = " & Str$(MeasureVolt)

' Initiate the trigger system
.WriteString "INIT"

' Make sure that the trigger system is initiated
Do
  .WriteString "STAT:OPER:COND?"
  stat = .ReadNumber
Loop Until ((stat And WTG) = WTG)

' Trigger the unit
.WriteString "*TRG"

' Make sure that the trigger is done
.WriteString "*OPC?"
.ReadString

' Measure the voltage after triggering the change
.WriteString "MEAS:VOLT?"
MeasureVolt = .ReadNumber

' Display the measured values
MsgBox msg1$ + Chr$(13) + "Voltage after trigger = " & Str$(MeasureVolt)

' Check instrument for any errors
.WriteString "Syst:err?"
ErrString = .ReadString

' Give message if there is an error
If Val(ErrString) Then
  MsgBox "Error in instrument!" & vbCrLf & ErrString
End If
End With
End Sub

```


Appendix A

Specifications

Performance Specifications	90
Supplemental Characteristics.....	91
Outline Diagram	93

This chapter lists the specifications and supplemental characteristics of the Keysight N5700 power supplies. A dimensional line drawing of the unit is included at the end of the chapter.

Unless otherwise noted, specifications are warranted over the ambient temperature range of 0 to 40°C. Sensing is at the rear terminals of the power supply after a 30-minute warm-up period. Sense terminals are externally jumpered to their respective output terminals.

Supplemental characteristics are not warranted but are descriptions of typical performance determined either by design or type testing.

Performance Specifications

Keysight Models N5741A – N5752A and N5761A – N5772A

Model	N5741A N5761A	N5742A N5762A	N5743A N5763A	N5744A N5764A	N5745A N5765A	N5746A N5766A	N5747A N5767A	N5748A N5768A	N5749A N5769A	N5750A N5770A	N5751A N5771A	N5752A N5772A
DC Output Ratings: ^{NOTE 1}												
Voltage	6V	8V	12.5V	20V	30V	40V	60V	80V	100V	150V	300V	600V
Current 750W	100A	90A	60A	38A	25A	19A	12.5A	9.5A	7.5A	5A	2.5A	1.3A
Current 1500W	180A	165A	120A	76A	50A	38A	25A	19A	15A	10A	5A	2.6A
Power 750W	600W	720W	750W	760W	750W	760W	750W	760W	750W	750W	750W	780W
Power 1500W	1080W	1320W	1500W	1520W	1500W	1520W	1500W	1520W	1500W	1500W	1500W	1560W
Output Ripple and Noise:												
CV p-p ^{NOTE 2}	60mV	60mV	60mV	60mV	60mV	60mV	60mV	80mV	80mV	100mV	150mV	300mV
CV rms ^{NOTE 3}	8mV	8mV	8mV	8mV	8mV	8mV	8mV	8mV	8mV	8mV	12mV	60mV
Load Effect: (change from 10% to 90% of full load)												
Voltage	2.6mV	2.8mV	3.25mV	4mV	5mV	6mV	8mV	10mV	12mV	17mV	32mV	62mV
Current 750W	25mA	23mA	17mA	12.6mA	10mA	8.8mA	7.5mA	6.9mA	6.5mA	6mA	5.5mA	5.26mA
Current 1500W	41mA	38mA	29mA	20.2mA	15mA	12.6mA	10mA	8.8mA	8mA	7mA	6mA	5.5mA
Source Effect: (change from 85-132 VAC input or 170-265 VAC input)												
Voltage	2.6mV	2.8mV	3.25mV	4mV	5mV	6mV	8mV	10mV	12mV	17mV	32mV	62mV
Current 750W	12mA	11mA	8mA	5.8mA	4.5mA	3.9mA	3.25mA	2.95mA	2.75mA	2.5mA	2.25mA	2.13mA
Current 1500W	20mA	18.5mA	14mA	9.6mA	7mA	5.8mA	4.5mA	3.9mA	3.5mA	3mA	2.5mA	2.26mA
Programming Accuracy: ^{NOTE 1}												
Voltage 0.05%+	3mV	4mV	6.25mV	10mV	15mV	20mV	30mV	40mV	50mV	75mV	150mV	300mV
Current 750W 0.1%+	100mA	90mA	60mA	38mA	25mA	19mA	12.5mA	9.5mA	7.5mA	5mA	2.5mA	1.3mA
Current 1500W 0.1%+	180mA	165mA	120mA	76mA	50mA	38mA	25mA	19mA	15mA	10mA	5mA	2.6mA
Measurement Accuracy:												
Voltage 0.1%+	6mV	8mV	12.5mV	20mV	30mV	40mV	60mV	80mV	100mV	150mV	300mV	600mV
Current 750W 0.1%+	300mA	270mA	180mA	114mA	75mA	57mA	37.5mA	28.5mA	22.5mA	15mA	7.5mA	3.9mA
Current 1500W 0.1%+	540mA	495mA	360mA	228mA	150mA	114mA	75mA	57mA	45mA	30mA	15mA	7.8mA
Load Transient Recovery Time: (time for output voltage to recover within 0.5% of its rated output for a load change from 10 to 90% of its rated output current)												
Time	≤ 1.5ms	≤ 1.5ms	≤ 1.5ms	≤ 1ms	≤ 1ms	≤ 1ms	≤ 1ms	≤ 1ms	≤ 1ms	≤ 1ms	≤ 2ms	≤ 2ms
Voltage set point	from 10% to 100% of rated output											

^{NOTE 1} Minimum voltage is guaranteed to a maximum of 0.2% of the rated output voltage.

Minimum current is guaranteed to a maximum of 0.4% of the rated output current.

^{NOTE 2} 20MHz

^{NOTE 3} From 5Hz - 1MHz

Supplemental Characteristics

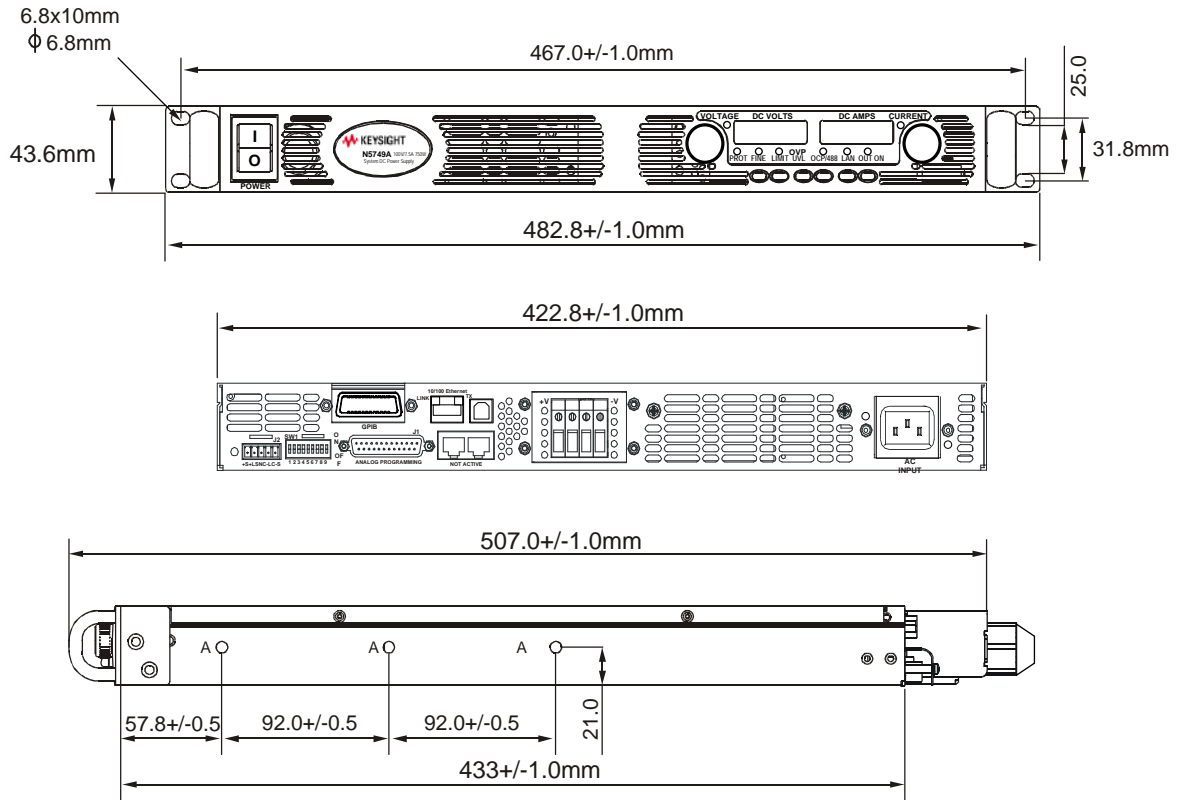
Keysight Models N5741A – N5752A and N5761A – N5772A

Model	N5741A N5761A	N5742A N5762A	N5743A N5763A	N5744A N5764A	N5745A N5765A	N5746A N5766A	N5747A N5767A	N5748A N5768A	N5749A N5769A	N5750A N5770A	N5751A N5771A	N5752A N5772A
Output Response Time: (to settle to within $\pm 1.0\%$ of the rated output, with a resistive load)												
Up, full load	0.08s	0.08s	0.08s	0.08s	0.08s	0.08s	0.08s	0.15s	0.15s	0.15s	0.15s	0.25s
Down, full load	0.05s	0.05s	0.05s	0.05s	0.08s	0.08s	0.08s	0.15s	0.15s	0.15s	0.15s	0.30s
Down, no load	0.5s	0.6s	0.7s	0.8s	0.9s	1.0s	1.1s	1.2s	1.5s	2.0s	3.0s	4s
Command Response Time: (add this to the output response time to obtain the total programming time)												
	55 ms											
Remote Sense Compensation:												
Volts/load lead	1V	1V	1V	1V	1.5V	2V	3V	4V	5V	5V	5V	5V
Over-voltage Protection:												
Range	0.5-7.5V	0.5-10V	1-15V	1-24V	2-36V	2-44V	5-66V	5-88V	5-110V	5-165V	5-330V	5-660V
Accuracy	0.06V	0.08V	0.125V	0.20V	0.30V	0.40V	0.60V	0.80V	1V	1.5V	3V	6V
Output Ripple and Noise: (From 5Hz-1MHz, at 10% to 100% of output voltage at full load (for 6V units from 33% to 100% of output voltage))												
CC rms 750W	200mA	180mA	120mA	76mA	63mA	48mA	38mA	29mA	23mA	18mA	13mA	8mA
CC rms 1500W	360mA	330mA	240mA	152mA	125mA	95mA	75mA	57mA	45mA	35mA	25mA	12mA
Programming Resolution:												
Measurement Resolution:												
Voltage	0.72mV	0.96mV	1.5mV	2.4mV	3.6mV	4.8mV	7.2mV	9.6mV	12mV	18mV	36mV	72mV
Current 750W	12mA	10.8mA	7.2mA	4.56mA	3mA	2.3mA	1.5mA	1.14mA	0.9mA	0.6mA	0.3mA	0.156mA
Current 1500W	21.6mA	19.8mA	14.4mA	9.12mA	6mA	4.6mA	3mA	2.28mA	1.8mA	1.2mA	0.6mA	0.312mA
Front Panel Display Accuracy: (4 digits; +% of rated output; ± 1 count)												
Voltage	30mV	40mV	62.5mV	100mV	150mV	200mV	300mV	400mV	500mV	750mV	1.5 V	3 V
Current 750W	500mA	450mA	300mA	190mA	125mA	95mA	62.5mA	47.5mA	37.5mA	25mA	12.5mA	6.5mA
Current 1500W	900mA	825mA	600mA	380mA	250mA	190mA	125mA	95mV	75mA	50mA	25m	13mA
Temperature Drift: (over 8 hours, after a 30 minute warm-up, with constant line, load, and temperature)												
Voltage	3mV	4mV	6.25mV	10mV	15mV	20mV	30mV	40mV	50mV	75mV	150mV	300mV
Current 750W	50mA	45mA	30mA	19mA	12.5mA	9.5mA	6.25mA	4.75mA	3.75mA	2.5mA	1.25mA	6.5mA
Current 1500W	90mA	82.5mA	60mA	38mA	25mA	19mA	12.5mA	9.5mA	7.5mA	5mA	2.5mA	1.3mA
Temperature Coefficient: (after a 30 minute warm-up)												
Voltage and Current	100 PPM/ $^{\circ}$ C from rated output voltage or current											
Analog Programming and Monitoring:												
Vout voltage	0 - 100%, 0-5V/10V, user selectable, Accuracy & linearity = +/-0.5% of rated Vout											
Iout voltage	0 - 100%, 0-5V/10V, user selectable, Accuracy & linearity = +/-1% of rated Iout											
Vout resistance	0 - 100%, 0-5k Ω /10k Ω , user selectable, Accuracy & linearity = +/-1% of rated Vout											
Iout resistance	0 - 100%, 0-5k Ω /10k Ω , user selectable, Accuracy & linearity = +/-1.5% of rated Iout											
Iout monitor	0-5V/10V, user selectable, Accuracy = 1%											
Vout monitor	0-5V/10V, user selectable, Accuracy = 1%											
On/Off control	Electrical voltage; 0-6V/2-15V or dry contact, user selectable logic											
PS OK signal	5V = OK; 0V = FAIL; 500 Ω series resistance											
CV/CC signal	CV = TTL high (4-5V) source current 10mA; CC = TTL high (4-5V) sink current 10mA											
Enable/Disable	Dry contact. Open=Off, Short=On. Maximum voltage at terminal= 6V.											

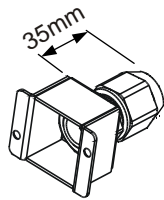
Keysight Models N5741A – N5752A and N5761A – N5772A

Model	N5741A N5761A	N5742A N5762A	N5743A N5763A	N5744A N5764A	N5745A N5765A	N5746A N5766A	N5747A N5767A	N5748A N5768A	N5749A N5769A	N5750A N5770A	N5751A N5771A	N5752A N5772A
Series and Parallel Capability:												
Parallel operation	Up to 4 identical units can be connected in parallel with single-wire current balancing											
Series operation	Up to 2 identical units can be connected using external protection diodes											
Savable states:												
In volatile memory	16 (in memory locations 0-15)											
Interface Capabilities:												
GPIB	SCPI - 1993, IEEE 488.2 compliant interface. Units purchased with Option NGP do not have a GPIB interface											
LXI Compliance	LXI Core 2011 (only applies to units with the LXI label on the front panel)											
USB 2.0	Requires Keysight IO Library version L.01.01 and up, or 14.0 and up											
10/100 LAN	Requires Keysight IO Library version L.01.01 and up, or 14.0 and up											
Environmental Conditions:												
Environment	Indoor use, installation category II (AC input), pollution degree 2											
Operating temp.	0°C to 40°C @ 100% load											
Storage temp.	-20°C to 70°C											
Operating humidity	Up to 90% relative humidity (no condensation)											
Storage humidity	10% to 95% relative humidity (no condensation)											
Altitude	Up to 3000 meters. Above 2000m, derate the output current by 2%/100m and derate the maximum ambient temperature by 1°C/100m. (For 1500W models from 60V to 600V, derate either the output current or the ambient temperature, but not both.)											
Regulatory Compliance:												
EMC	Complies with European EMC Directive for test and measurement products. <ul style="list-style-type: none"> • IEC/EN 61326-1 • CISPR 11, Group 1, class A • AS/NZS CISPR 11 • ICES/NMB-001 Complies with the Australian standard and carries the C-Tick mark. This ISM device complies with Canadian ICES-001. Cet appareil ISM est conforme à la norme NMB-001 du Canada.											
Safety	Complies with the European Low Voltage Directive and carries the CE-marking. Conforms to UL 61010-1 and CSA C22.2 61010-1.											
Acoustic Noise Declaration:												
Statements provided to comply with requirements of the German Sound Emission Directive, from 18 January 1991: Sound Pressure Lp <70 dB(A), * At Operator Position, * Normal Operation, * According to EN 27779 (Type Test). Schalldruckpegel Lp <70 dB(A) * Am Arbeitsplatz, * Normaler Betrieb, * Nach EN 27779 (Typprüfung).												
Output Terminal Isolation:												
6V to 60V units	No output terminal may be more than +/- 60 VDC from any other terminal or chassis ground											
80V to 600V units	No output terminal may be more than +/- 600 VDC from any other terminal or chassis ground											
AC Input:												
Nominal Input	100 – 240 VAC; 50/60Hz											
Input Current 750W	10.5A @ 100 VAC nominal; 5A @ 200 VAC nominal											
Input Current 1500W	21A @ 100 VAC nominal; 11A @ 200 VAC nominal											
Input Range	85 – 265 VAC; 47 – 63 Hz.											
Power Factor	0.99 at nominal input and rated output power											
Efficiency	76% – 87% for 750W units; 77% – 88% for 1500W units											
Inrush Current	< 25A for 750W units; < 50 A for 1500W units											

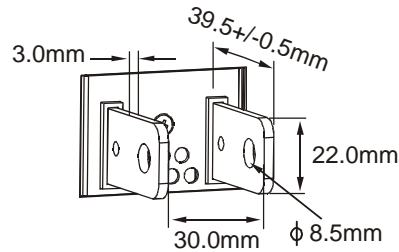
Outline Diagram



Strain-Relief Detail
1500W Models



Bus-Bar Detail
6V to 60V Models



NOTES:

Holes marked "A" are for chassis slide mounting.
Use only screws designated #10-32x0.38" maximum.

Appendix B

Verification and Calibration

Verification.....	96
Calibration	115

The verification procedures described in this appendix verify that the power supply is operating normally and is within published specifications.

This appendix also includes calibration procedures for the Keysight N5700 power supplies. Instructions are given for performing the procedures from a controller over the GPIB, USB, or LAN.

NOTE

Perform the verification tests before calibrating your power supply. If the power supply passes the verification tests, the unit is operating within its calibration limits and does not need to be re-calibrated.

The recommended calibration interval for Keysight N5700 power supplies is one year.

Verification

Verification procedures verify that the power supply is operating normally and is within published specifications. There are two types of verification tests:

Performance These tests verify that the power supply meets all of the specifications listed in Appendix A. They can also be used to verify that the power supply is properly calibrated.

Calibration These procedures calibrate the power supply.

If the power supply fails any of the tests or if abnormal test results are obtained, try calibrating the unit. If calibration is unsuccessful, return the unit to a Keysight Technologies repair facility (see Appendix D).

Equipment Required

The equipment listed in the following table, or the equivalent to this equipment, is required for the calibration and performance tests. A test record sheet may be found at the back of this section.

Type	Specifications	Recommended Model
Digital Voltmeter	Resolution: 10 nV @ 1V; Readout: 8 1/2 digits Accuracy: 20 ppm	Keysight 3458A or equivalent
Current Monitor	15 A (0.1 Ω) 0.04%, TC=5ppm/ $^{\circ}$ C 100 A (0.01 Ω) 0.04%, TC=5ppm/ $^{\circ}$ C 300 A (0.001 Ω) 0.04%, TC=5ppm/ $^{\circ}$ C	Guidline 9230/15 Guidline 9230/100 Guidline 9230/300
Load Resistor	For 750 W models: 0.06 Ω , 0.09 Ω , 0.21 Ω , 0.53 Ω , 1.20 Ω , 2.11 Ω , 4.80 Ω , 8.42 Ω , 13.33 Ω , 30.0 Ω , 120 Ω , 462 Ω - all resistors 1kW minimum For 1500 W models: 0.03 Ω , 0.04 Ω , 0.10 Ω , 0.26 Ω , 0.60 Ω , 1.05 Ω , 2.40 Ω , 4.21 Ω , 6.67 Ω , 15.0 Ω , 60 Ω , 231 Ω - all resistors 2kW minimum.	
Electronic Load	150 V, 100 A minimum (for Models N5741- N5750A) 150 V, 180 A minimum (for Models N5761- N5770A)	Keysight N3300A mainframe, with 3 - N3305A modules
GPIB Controller	Full GPIB capabilities for calibrating the unit over the GPIB Units purchased with Option NGP do not have a GPIB interface	Keysight 82350B or equivalent
Oscilloscope	Sensitivity: 1 mV Bandwidth Limit: 20 MHz Probe: 1:1 with RF tip	Keysight Infiniium or equivalent
RMS Voltmeter	True RMS Bandwidth: 20 MHz Sensitivity: 100 μ V	Rhode and Schwartz Model URE3 or equivalent
Differential Amplifier	Bandwidth: 20 MHz	LeCroy DA1855A, DA1850A, or equivalent
Differential Probe	100:1/10:1 selectable	LeCroy DXC100A or equivalent
Terminations	1 - 50 Ω BNC termination	
Variable-voltage xfrm or AC source	Adjustable to highest rated input voltage range. Power: 2000 VA	Keysight 6813B or equivalent

Measurement Techniques

Electronic Load

Many of the test procedures require the use of a variable load capable of dissipating the required power. If a variable resistor is used, switches should be used to either; connect, disconnect, or short the load resistor. For most tests, an electronic load can be used. The electronic load is considerably easier to use than load resistors, but it may not be fast enough to test transient recovery time and may be too noisy for the noise (PARD) tests.

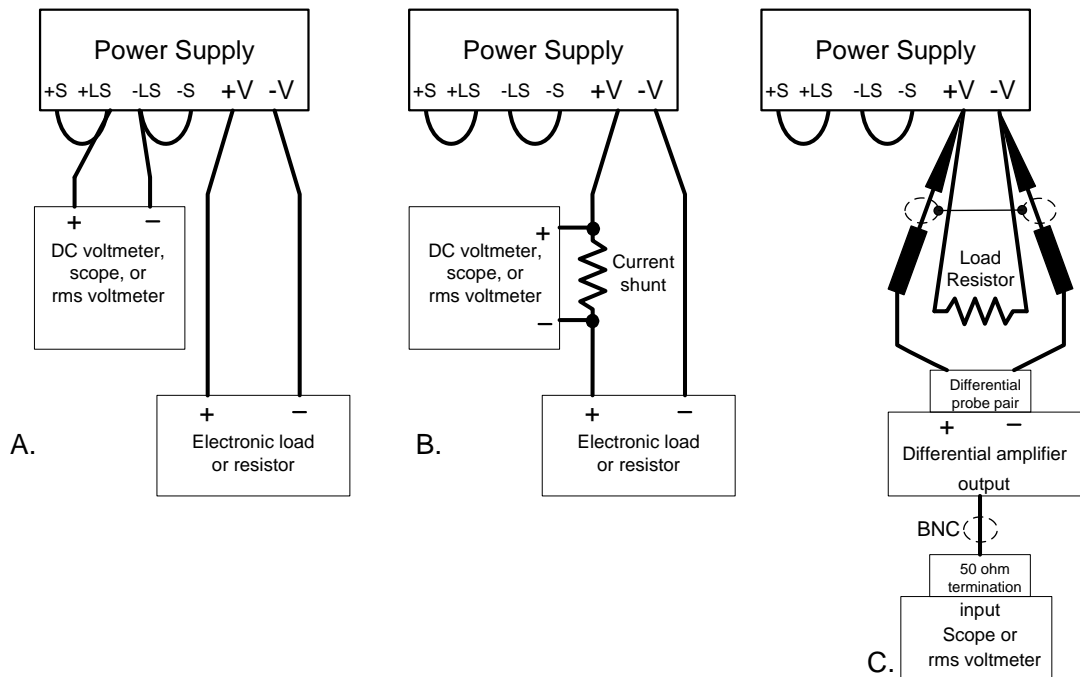
Fixed load resistors may be used in place of a variable load, with minor changes to the test procedures. Also, if computer controlled test setups are used, the relatively slow (compared to computers and system voltmeters) settling times and slew rates of the power supply may have to be taken into account. "Wait" statements can be used in the test program if the test system is faster than the power supply.

Current-Monitoring Resistor

The 4-terminal current shunt is used to eliminate output current measurement error caused by voltage drops in the load leads and connections. It has special current-monitoring terminals inside the load connection terminals. Connect the voltmeter directly to these current-monitoring terminals.

Test Set-up

The following figure illustrates the test set-up used for the verification procedures.



WARNING

SHOCK HAZARD Before starting the verification procedures, check to make sure that the startup mode is set to Safe-Start (see page 42).

Constant Voltage Tests

Refer to the appropriate test record in the following section for the instrument settings for each of the following tests.

Voltage Programming and Readback Accuracy

Test category = performance, calibration

This test verifies that the voltage programming and measurement functions are within specifications.

- 1 Turn off the power supply and connect a DVM directly across the +S and -S terminals as shown in figure A. Do not connect a load.
- 2 Turn on the power supply and program the output voltage to zero and the output current to its maximum programmable value (I_{max}) with the load off. The CV annunciator should be on and the output current reading should be approximately zero.
- 3 Record the output voltage readings on the digital voltmeter (DVM) as well as the measurement readback. The readings should be within the limits specified in the test record card for the appropriate model under Voltage Programming and Readback, Minimum Voltage V_{out} .
- 4 Program the output voltage to its full-scale rating.
- 5 Record the output voltage readings on the DVM as well as the measurement readback. The readings should be within the limits specified in the test record card for the appropriate model under Voltage Programming and Readback, High Voltage V_{out} .

CV Load Effect

Test category = performance

This test measures the change in output voltage resulting from a change in output current from full load to no load.

- 1 Turn off the power supply and connect a DVM and an electronic load as shown in figure A.
- 2 Turn on the power supply and program the output current to its maximum programmable value (I_{max}) and the output voltage to its full-scale value.
- 3 Set the electronic load for the output's full-scale current. The CV annunciator on the front panel must be on. If it is not, adjust the load so that the output current drops slightly.
- 4 Record the output voltage reading from the DVM.
- 5 Open the load and record the voltage reading from the DVM again. The difference between the DVM readings in steps 4 and 5 is the load effect, which should not exceed the value listed in the test record card for the appropriate model under CV Load Effect.

CV Source Effect

Test category = performance

This test measures the change in output voltage that results from a change in AC line voltage from the minimum to maximum value within the line voltage specifications.

- 1** Turn off the power supply and connect the ac power line through a variable voltage transformer.
- 2** Connect a DVM and an electronic load as shown in figure A. Set the variable voltage transformer to nominal line voltage.
- 3** Turn on the power supply and program the output current to its maximum programmable value (I_{max}) and the output voltage to its full-scale value.
- 4** Set the electronic load for the output's full-scale current. The CV annunciator on the front panel must be on. If it is not, adjust the load so that the output current drops slightly.
- 5** Adjust the transformer to the low-line voltage (85 VAC for 100/120 nominal line; 170 VAC for 200/240 nominal line).
- 6** Record the output voltage reading from the DVM.
- 7** Adjust the transformer to the high-line voltage (132 VAC for 100/120 nominal line; 265 VAC for 200/240 nominal line).
- 8** Record the output voltage reading on the DVM. The difference between the DVM reading in steps 6 and 8 is the source effect, which should not exceed the value listed in the test record card for the appropriate model under CV Source Effect.

CV Noise

Test category = performance

Periodic and random deviations in the output combine to produce a residual AC voltage superimposed on the DC output voltage. This residual voltage is specified as the rms or peak-to-peak output voltage in the frequency range specified in Appendix A.

- 1** Turn off the power supply and connect the load resistor, differential amplifier, and an oscilloscope (ac coupled) to the output as shown in figure C. Use the indicated load resistor for 750W outputs; use the indicated load resistor for 1500W outputs.
- 2** As shown in the diagram, use the differential probe to connect the differential amplifier to the + and - output terminals. The shields of the two probes should be connected together. Connect the output of the differential amplifier to the oscilloscope with a 50 Ω termination at the input of the oscilloscope.
- 3** Set the differential amplifier to multiply by ten, divide by one, and 1 Megohm input resistance. The positive and negative inputs of the differential amplifier should be set to AC coupling. Set the oscilloscope's time base to 5 ms/div, and the vertical scale to 10 mV/div. Turn the bandwidth limit on (usually 20 or 30 MHz), and set the sampling mode to peak detect.

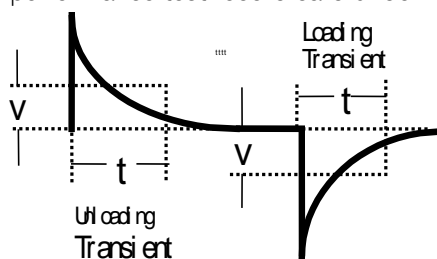
- 4 Program the power supply to program the output current to its maximum programmable value (I_{max}) and the output voltage to its full-scale value and enable the output. Let the oscilloscope run for a few seconds to generate enough measurement points. On the Keysight Infiniium scope, the maximum peak-to-peak voltage measurement is indicated at the bottom of the screen on the right side. Divide this value by 10 to get the CV peak-to-peak noise measurement. The result should not exceed the peak-to-peak limits in the test record form for the appropriate model under CV Ripple and Noise, peak-to-peak.
(If the measurement contains any question marks, clear the measurement and try again. This means that some of the data received by the scope was questionable.)
- 5 Disconnect the oscilloscope and connect an ac rms voltmeter in its place. Do not disconnect the $50\ \Omega$ termination. Divide the reading of the rms voltmeter by 10. The result should not exceed the rms limits in the test record card for the appropriate model under CV Ripple and Noise - rms.

Transient Recovery Time

Test category = performance

This measures the time for the output voltage to recover to within the specified value following a 10% to 90% change in the load current.

- 1 Turn off the power supply and connect the output as in figure A with the oscilloscope across the +S and -S terminals.
- 2 Turn on the power supply and program the output current to its maximum programmable value (I_{max}) and the output voltage to its full-scale value. **Do not program voltages greater than 200 VDC when testing the 300 and 600 volt models.**
- 3 Set the electronic load to operate in constant current mode. Program its load current to 10% of the power supply's full-scale current value.
- 4 Set the electronic load's transient generator frequency to 100 Hz and its duty cycle to 50%.
- 5 Program the load's transient current level to 90% of the power supply's full-scale current value. Turn the transient generator on.
- 6 Adjust the oscilloscope for a waveform similar to that shown in the following figure.
- 7 The output voltage should return to within the specified voltage in the specified time following the 10% to 90% load change. Check both loading and unloading transients by triggering on the positive and negative slope. Record the voltage at time "t" in the performance test record card under Transient Response.



Constant Current Tests

Refer to the appropriate test record in the following section for the instrument settings for each of the following tests.

Current Programming and Readback Accuracy

Test category = performance, calibration

This test verifies that the current programming and measurement functions are within specifications.

- 1** Turn off the power supply and connect the current shunt directly across the output. Connect the DVM across the current shunt.
- 2** Turn on the power supply and program the output voltage to its full-scale value and the output current to zero. The CC annunciator should be on and the output voltage reading should be approximately zero.
- 3** Divide the voltage drop (DVM reading) across the current shunt by its resistance to convert to amps and record this value (Iout). Also record the current measurement readback. The readings should be within the limits specified in the test record card for the appropriate model under Current Programming and Readback, Minimum Current Iout.
- 4** Program the output current to its full-scale rating.
- 5** Divide the voltage drop (DVM reading) across the current shunt by its resistance to convert to amps and record this value (Iout). Also record the current measurement readback. The readings should be within the limits specified in the test record card for the appropriate model under Current Programming and Readback, High Current Iout.

CC Load Effect

Test category = performance

This test measures the change in output current resulting from a change in output voltage from full scale to short circuit.

- 1** Turn off the power supply and connect the current shunt, DVM, and electronic load as shown in figure B. Connect the DVM directly across the current shunt.
- 2** To ensure that the values read during this test are not the instantaneous measurement of the AC peaks of the output current ripple, several DC measurements should be made and averaged. With a Keysight 3458A, you can set the voltmeter to do this automatically. From the instrument's front panel, program 100 power line cycles per measurement. Press NPLC 100 ENTER.
- 3** Turn on the power supply and program the output current to its full-scale value and the output voltage to its maximum programmable value (Vmax).
- 4** With the electronic load in CV mode, set it for the output's full-scale voltage. The CC annunciator on the front panel must be on. If it is not, adjust the load so that the voltage drops slightly.

- 5** Divide the voltage drop (DVM reading) across the current monitoring resistor by its resistance to convert to amps and record this value (I_{out}).
- 6** Short the electronic load. Divide the voltage drop (DVM reading) across the current shunt by its resistance to convert to amps and record this value (I_{out}). The difference in the current readings in steps 4 and 5 is the load effect, which should not exceed the value listed in the test record card for the appropriate model under CC Load Effect.

CC Source Effect

Test category = performance

This test measures the change in output current that results from a change in AC line voltage from the minimum to maximum value within the line voltage specifications.

- 1** Turn off the power supply and connect the ac power line through a variable voltage transformer or AC source.
- 2** Connect the current shunt, DVM, and electronic load as shown in figure B. Connect the DVM directly across the current shunt. Set the variable voltage transformer to nominal line voltage.
- 3** To ensure that the values read during this test are not the instantaneous measurement of the AC peaks of the output current ripple, several DC measurements should be made and averaged. If you are using a Keysight 3458A, you can set up the voltmeter to do this automatically. From the instrument's front panel, program 100 power line cycles per measurement. Press NPLC 100 ENTER.
- 4** Turn on the power supply and program the output current to its full-scale value and the output voltage to its maximum programmable value (V_{max}).
- 5** With the electronic load in CV mode, set it for the output's full-scale voltage. The CC annunciator on the front panel must be on. If it is not, adjust the load so that the voltage drops slightly.
- 6** Adjust the transformer to the lowest rated line voltage (85 VAC for 100/120 nominal line; 170 VAC for 200/240 nominal line).
- 7** Divide the voltage drop (DVM reading) across the current monitoring resistor by its resistance to convert to amps and record this value (I_{out}).
- 8** Adjust the transformer to the highest rated line voltage (132 VAC for 100/120 nominal line; 265 VAC for 200/240 nominal line).
- 9** Divide the voltage drop (DVM reading) across the current shunt by its resistance to convert to amps and record this value (I_{out}). The difference between the DVM reading in steps 6 and 8 is the source effect, which should not exceed the value listed in the test record card for the appropriate model under CC Source Effect.
- 10** Return the voltage and current settings to zero when verification is completed.

Test Record Form – Keysight N5741A and N5761A

Keysight N5741A and N5761A	Report No _____	Date _____		
	Model	Minimum Specs.	Results	Maximum Specs.
Voltage Programming & Readback				
Minimum Voltage Vout	Both	12 mV	_____	18 mV
Measurement Readback	Both	Vout – 6 mV	_____	Vout + 6 mV
High Voltage Vout	Both	5.994 V	_____	6.006 V
Measurement Readback	Both	Vout – 12 mV	_____	Vout + 12 mV
CV Load Effect	Both	– 2.6 mV	_____	+ 2.6 mV
CV Source Effect	Both	– 2.6 mV	_____	+ 2.6 mV
CV Ripple and Noise				
peak-to-peak	Both	N/A	_____	60 mV
rms	Both	N/A	_____	8 mV
Transient Response				
Voltage @ 1.5ms	Both	– 30 mV	_____	+ 30 mV
Current Programming & Readback				
Minimum Current Iout	N5741A	400 mA	_____	600 mA
	N5761A	720 mA	_____	1.080 A
Measurement Readback	N5741A	Iout – 300 mA	_____	Iout + 300 mA
	N5761A	Iout – 540 mA	_____	Iout + 540 mA
High Current Iout	N5741A	99.8 A	_____	100.2 A
	N5761A	179.64 A	_____	180.3 A
Measurement Readback	N5741A	Iout – 400 mA	_____	Iout + 400 mA
	N5761A	Iout – 720 mA	_____	Iout + 720 mA
CC Load Effect	N5741A	– 25 mA	_____	+ 25 mA
	N5761A	– 41 mA	_____	+ 41 mA
CC Source Effect	N5741A	– 12 mA	_____	+ 12 mA
	N5761A	– 20 mA	_____	+ 20 mA

WARNING Return the voltage and current settings to zero when verification is completed

Test Description	N5741A Settings	N5761A Settings
Voltage Programming & Readback, Min Voltage	15 mV, 500 mA	15 mV, 900 mA
Voltage Programming & Readback, High Voltage	6 V, 500 mA	6 V, 900 mA
CV Load Effect, Source Effect, Ripple and Noise	6 V, 100 A	6 V, 180 A
Transient Response	6 V, from 10 A to 90A	6 V, from 18 A to 172A
Current Programming & Readback, Min Current	500 mA, 6 V	900 mA, 6 V
Current Programming & Readback, High Current	100 A, 6 V	180 A, 6 V
CC Load Effect, Source Effect	100 A, 6 V	180 A, 6 V

Load Requirements	N5741A	N5761A
Current shunt	0.01Ω 100 A	0.001Ω 300 A
Keysight N3300 Electronic load modules	2 – N3305A	3 – N3305A
Fixed Resistor for CV Ripple and Noise	0.06Ω 1kW	0.03Ω 2kW

Test Record Form – Keysight N5742A and N5762A

Keysight N5742A and N5762A	Report No _____	Date _____
Description	Model	Minimum Specs. Results Maximum Specs.
Voltage Programming & Readback		
Minimum Voltage Vout	Both	16 mV _____ 24 mV
Measurement Readback	Both	Vout – 8 mV _____ Vout + 8 mV
High Voltage Vout	Both	7.992 V _____ 8.008 V
Measurement Readback	Both	Vout – 16 mV _____ Vout + 16 mV
CV Load Effect	Both	– 2.8 mV _____ + 2.8 mV
CV Source Effect	Both	– 2.8 mV _____ + 2.8 mV
CV Ripple and Noise		
peak-to-peak	Both	N/A _____ 60 mV
rms	Both	N/A _____ 8 mV
Transient Response		
Voltage @ 1.5ms	Both	– 40 mV _____ + 40 mV
Current Programming & Readback		
Minimum Current Iout	N5742A	360 mA _____ 540 mA
	N5762A	660 mA _____ 990 mA
Measurement Readback	N5742A	Iout – 270 mA _____ Iout + 270 mA
	N5762A	Iout – 495 mA _____ Iout + 495 mA
High Current Iout	N5742A	89.82 A _____ 90.18 A
	N5762A	164.67 A _____ 165.33 A
Measurement Readback	N5742A	Iout – 360 mA _____ Iout + 360 mA
	N5762A	Iout – 660 mA _____ Iout + 660 mA
CC Load Effect	N5742A	– 23 mA _____ + 23 mA
	N5762A	– 38 mA _____ + 38 mA
CC Source Effect	N5742A	– 11 mA _____ + 11 mA
	N5762A	– 18.5 mA _____ + 18.5 mA

WARNING

Return the voltage and current settings to zero when verification is completed

Test Description	N5742A Settings	N5762A Settings
Voltage Programming & Readback, Min Voltage	20 mV, 450 mA	20 mV, 825 mA
Voltage Programming & Readback, High Voltage	8 V, 450 mA	8 V, 825 mA
CV Load Effect, Source Effect, Ripple and Noise	8 V, 90 A	8 V, 165 A
Transient Response	8 V, from 9 A to 81A	8 V, from 16.5 A to 148.5A
Current Programming & Readback, Min Current	450 mA, 8 V	825 mA, 8 V
Current Programming & Readback, High Current	90 A, 8 V	165 A, 8 V
CC Load Effect, Source Effect	90 A, 8 V	165 A, 8 V
Load Requirements		
	N5742A	N5762A
Current shunt	0.01Ω 100 A	0.001Ω 300 A
Keysight N3300 Electronic load modules	2 – N3305A	3 – N3305A
Fixed Resistor for CV Ripple and Noise	0.09Ω 1kW	0.04Ω 2kW

Test Record Form – Keysight N5743A and N5763A

Keysight N5743A and N5763A	Report No _____	Date _____
Description	Model	Minimum Specs. Results Maximum Specs.
Voltage Programming & Readback		
Minimum Voltage Vout	Both	25 mV _____ 37.5 mV
Measurement Readback	Both	Vout – 12.5 mV _____ Vout + 12.5 mV
High Voltage Vout	Both	12.4875 V _____ 12.5125 V
Measurement Readback	Both	Vout – 25 mV _____ Vout + 25 mV
CV Load Effect	Both	– 3.25 mV _____ + 3.25 mV
CV Source Effect	Both	– 3.25 mV _____ + 3.25 mV
CV Ripple and Noise		
peak-to-peak	Both	N/A _____ 60 mV
rms	Both	N/A _____ 8 mV
Transient Response		
Voltage @ 1.5ms	Both	– 62 mV _____ + 62 mV
Current Programming & Readback		
Minimum Current Iout	N5743A	240 mA _____ 360 mA
	N5763A	480 mA _____ 720 mA
Measurement Readback	N5743A	Iout – 180 mA _____ Iout + 180 mA
	N5763A	Iout – 360 mA _____ Iout + 360 mA
High Current Iout	N5743A	59.88 A _____ 60.12 A
	N5763A	119.76 A _____ 120.24 A
Measurement Readback	N5743A	Iout – 240 mA _____ Iout + 240 mA
	N5763A	Iout – 480 mA _____ Iout + 480 mA
CC Load Effect	N5743A	– 17 mA _____ + 17 mA
	N5763A	– 29 mA _____ + 29 mA
CC Source Effect	N5743A	– 8 mA _____ + 8 mA
	N5763A	– 14 mA _____ + 14 mA

WARNING Return the voltage and current settings to zero when verification is completed

Test Description	N5743A Setting	N5763A Setting
Voltage Programming & Readback, Min Voltage	31.3 mV, 300 mA	31.3 mV, 600 mA
Voltage Programming & Readback, High Voltage	12.5 V, 300 mA	12.5 V, 600 mA
CV Load Effect, Source Effect, Ripple and Noise	12.5 V, 60 A	12.5 V, 120 A
Transient Response	12.5 V, from 6 A to 54A	12.5 V, from 12 A to 108 A
Current Programming & Readback, Min Current	300 mA, 12.5 V	600 mA, 12.5 V
Current Programming & Readback, High Current	60 A, 12.5 V	120 A, 12.5 V
CC Load Effect, Source Effect	60 A, 12.5 V	120 A, 12.5 V
Load Requirements		
	N5743A	N5763A
Current shunt	0.01Ω 100 A	0.001Ω 300 A
Keysight N3300 Electronic load modules	2 – N3305A	3 – N3305A
Fixed Resistor for CV Ripple and Noise	0.21Ω 1kW	0.10Ω 2kW

Test Record Form – Keysight N5744A and N5764A

Keysight N5744A and N5764A	Report No _____	Date _____
Description	Model	Minimum Specs. Results Maximum Specs.
Voltage Programming & Readback		
Minimum Voltage Vout	Both	40 mV _____ 60 mV
Measurement Readback	Both	Vout – 20 mV _____ Vout + 20 mV
High Voltage Vout	Both	19.98 V _____ 20.02 V
Measurement Readback	Both	Vout – 40 mV _____ Vout + 40 mV
CV Load Effect	Both	– 4 mV _____ + 4 mV
CV Source Effect	Both	– 4 mV _____ + 4 mV
CV Ripple and Noise		
peak-to-peak	Both	N/A _____ 60 mV
rms	Both	N/A _____ 8 mV
Transient Response		
Voltage @ 1ms	Both	– 100 mV _____ + 100 mV
Current Programming & Readback		
Minimum Current Iout	N5744A	152 mA _____ 228 mA
	N5764A	304 mA _____ 456 mA
Measurement Readback	N5744A	Iout – 114 mA _____ Iout + 114 mA
	N5764A	Iout – 228 mA _____ Iout + 228 mA
High Current Iout	N5744A	37.924 A _____ 38.076 A
	N5764A	75.848 A _____ 76.152 A
Measurement Readback	N5744A	Iout – 152 mA _____ Iout + 152 mA
	N5764A	Iout – 304 mA _____ Iout + 304 mA
CC Load Effect	N5744A	– 12.6 mA _____ + 12.6 mA
	N5764A	– 20.2 mA _____ + 20.2 mA
CC Source Effect	N5744A	– 5.8 mA _____ + 5.8 mA
	N5764A	– 9.6 mA _____ + 9.6 mA

WARNING

Return the voltage and current settings to zero when verification is completed

Test Description	N5744A Setting	N5764A Setting
Voltage Programming & Readback, Min Voltage	50 mV, 190 mA	50 mV, 380 mA
Voltage Programming & Readback, High Voltage	20 V, 190 mA	20 V, 380 mA
CV Load Effect, Source Effect, Ripple and Noise	20 V, 38 A	20 V, 76 A
Transient Response	20 V, from 3.8 A to 34.2 A	20 V, from 7.6 A to 68.4 A
Current Programming & Readback, Min Current	190 mA, 20 V	380 mA, 20 V
Current Programming & Readback, High Current	38 A, 20 V	76 A, 20 V
CC Load Effect, Source Effect	38 A, 20 V	76 A, 20 V
Load Requirements		
	N5744A	N5764A
Current shunt	0.01Ω 100 A	0.01Ω 100 A
Keysight N3300 Electronic load modules	2 – N3305A	3 – N3305A
Fixed Resistor for CV Ripple and Noise	0.53Ω 1kW	0.26Ω 2kW

Test Record Form – Keysight N5745A and N5765A

Keysight N5745A and N5765A	Report No _____	Date _____
Description	Model	Minimum Specs. Results Maximum Specs.
Voltage Programming & Readback		
Minimum Voltage Vout	Both	60 mV _____ 90 mV
Measurement Readback	Both	Vout – 30 mV _____ Vout + 30 mV
High Voltage Vout	Both	29.97 V _____ 30.03 V
Measurement Readback	Both	Vout – 60 mV _____ Vout + 60 mV
CV Load Effect	Both	– 5 mV _____ + 5 mV
CV Source Effect	Both	– 5 mV _____ + 5 mV
CV Ripple and Noise		
peak-to-peak	Both	N/A _____ 60 mV
rms	Both	N/A _____ 8 mV
Transient Response		
Voltage @ 1ms	Both	– 150 mV _____ + 150 mV
Current Programming & Readback		
Minimum Current Iout	N5745A	100 mA _____ 150 mA
	N5765A	200 mA _____ 300 mA
Measurement Readback	N5745A	Iout – 75 mA _____ Iout + 75 mA
	N5765A	Iout – 150 mA _____ Iout + 150 mA
High Current Iout	N5745A	24.95 A _____ 25.05 A
	N5765A	49.9 A _____ 50.1 A
Measurement Readback	N5745A	Iout – 100 mA _____ Iout + 100 mA
	N5765A	Iout – 200 mA _____ Iout + 200 mA
CC Load Effect	N5745A	– 10 mA _____ + 10 mA
	N5765A	– 15 mA _____ + 15 mA
CC Source Effect	N5745A	– 4.5 mA _____ + 4.5 mA
	N5765A	– 7 mA _____ + 7 mA

WARNING Return the voltage and current settings to zero when verification is completed

Test Description	N5745A Setting	N5765A Setting
Voltage Programming & Readback, Min Voltage	75 mV, 125 mA	75 mV, 250 mA
Voltage Programming & Readback, High Voltage	30 V, 125 mA	30 V, 250 mA
CV Load Effect, Source Effect, Ripple and Noise	30 V, 25 A	30 V, 50 A
Transient Response	30 V, from 2.5 A to 22.5 A	30 V, from 5 A to 45 A
Current Programming & Readback, Min Current	125 mA, 30 V	250 mA, 30 V
Current Programming & Readback, High Current	25 A, 30 V	50 A, 30 V
CC Load Effect, Source Effect	25 A, 30 V	50 A, 30 V

Load Requirements	N5745A	N5765A
Current shunt	0.01Ω 100 A	0.01Ω 100 A
Keysight N3300 Electronic load modules	2 – N3305A	3 – N3305A
Fixed Resistor for CV Ripple and Noise	1.20Ω 1kW	0.60Ω 2kW

Test Record Form – Keysight N5746A and N5766A

Keysight N5746A and N5766A	Report No _____	Date _____
Description	Model	Minimum Specs. Results Maximum Specs.
Voltage Programming & Readback		
Minimum Voltage Vout	Both	80 mV _____ 120 mV
Measurement Readback	Both	Vout – 40 mV _____ Vout + 40 mV
High Voltage Vout	Both	39.96 V _____ 40.04 V
Measurement Readback	Both	Vout – 80 mV _____ Vout + 80 mV
CV Load Effect	Both	– 6 mV _____ + 6 mV
CV Source Effect	Both	– 6 mV _____ + 6 mV
CV Ripple and Noise		
peak-to-peak	Both	N/A _____ 60 mV
rms	Both	N/A _____ 8 mV
Transient Response		
Voltage @ 1ms	Both	– 200 mV _____ + 200 mV
Current Programming & Readback		
Minimum Current Iout	N5746A	76 mA _____ 114 mA
	N5766A	152 mA _____ 228 mA
Measurement Readback	N5746A	Iout – 57 mA _____ Iout + 57 mA
	N5766A	Iout – 114 mA _____ Iout + 114 mA
High Current Iout	N5746A	18.962 A _____ 19.038 A
	N5766A	37.924 A _____ 38.076 A
Measurement Readback	N5746A	Iout – 76 mA _____ Iout + 76 mA
	N5766A	Iout – 152 mA _____ Iout + 152 mA
CC Load Effect	N5746A	– 8.8 mA _____ + 8.8 mA
	N5766A	– 12.6 mA _____ + 12.6 mA
CC Source Effect	N5746A	– 3.9 mA _____ + 3.9 mA
	N5766A	– 5.8 mA _____ + 5.8 mA

WARNING

Return the voltage and current settings to zero when verification is completed

Test Description	N5746A Setting	N5766A Setting
Voltage Programming & Readback, Min Voltage	100 mV, 95 mA	100 mV, 190 mA
Voltage Programming & Readback, High Voltage	40 V, 95 mA	40 V, 190 mA
CV Load Effect, Source Effect, Ripple and Noise	40 V, 19 A	40 V, 38 A
Transient Response	40 V, from 1.9 A to 17.1 A	40 V, from 3.8 A to 34.2 A
Current Programming & Readback, Min Current	95 mA, 40 V	190 mA, 40 V
Current Programming & Readback, High Current	19 A, 40 V	38 A, 40 V
CC Load Effect, Source Effect	19 A, 40 V	38 A, 40 V
Load Requirements	N5746A	N5766A
Current shunt	0.01Ω 100 A	0.01Ω 100 A
Keysight N3300 Electronic load modules	2 – N3305A	3 – N3305A
Fixed Resistor for CV Ripple and Noise	2.11Ω 1kW	1.05Ω 2kW

Test Record Form – Keysight N5747A and N5767A

Keysight N5747A and N5767A	Report No _____	Date _____
Description	Model	Minimum Specs. Results Maximum Specs.
Voltage Programming & Readback		
Minimum Voltage Vout	Both	120 mV _____ 180 mV
Measurement Readback	Both	Vout – 60 mV _____ Vout + 60 mV
High Voltage Vout	Both	59.94 V _____ 60.06 V
Measurement Readback	Both	Vout – 120 mV _____ Vout + 120 mV
CV Load Effect	Both	– 8 mV _____ + 8 mV
CV Source Effect	Both	– 8 mV _____ + 8 mV
CV Ripple and Noise		
peak-to-peak	Both	N/A _____ 60 mV
rms	Both	N/A _____ 8 mV
Transient Response		
Voltage @ 1ms	Both	– 300 mV _____ + 300 mV
Current Programming & Readback		
Minimum Current Iout	N5747A	50 mA _____ 75 mA
	N5767A	100 mA _____ 150 mA
Measurement Readback	N5747A	Iout – 37.5 mA _____ Iout + 37.5 mA
	N5767A	Iout – 75 mA _____ Iout + 75 mA
High Current Iout	N5747A	12.475 A _____ 12.525 A
	N5767A	24.95 A _____ 25.05 A
Measurement Readback	N5747A	Iout – 50 mA _____ Iout + 50 mA
	N5767A	Iout – 100 mA _____ Iout + 100 mA
CC Load Effect	N5747A	– 7.5 mA _____ + 7.5 mA
	N5767A	– 10 mA _____ + 10 mA
CC Source Effect	N5747A	– 3.25 mA _____ + 3.25 mA
	N5767A	– 4.5 mA _____ + 4.5 mA

WARNING Return the voltage and current settings to zero when verification is completed

Test Description	N5747A Setting	N5767A Setting
Voltage Programming & Readback, Min Voltage	150 mV, 62.5 mA	150 mV, 125 mA
Voltage Programming & Readback, High Voltage	60 V, 62.5 mA	60 V, 125 mA
CV Load Effect, Source Effect, Ripple and Noise	60 V, 12.5 A	60 V, 25 A
Transient Response	60 V, from 1.25 A to 11.25 A	60 V, from 2.5 A to 22.5 A
Current Programming & Readback, Min Current	62.5 mA, 60 V	125 mA, 60 V
Current Programming & Readback, High Current	12.5 A, 60 V	25 A, 60 V
CC Load Effect, Source Effect	12.5 A, 60 V	25 A, 60 V
Load Requirements		
	N5747A	N5767A
Current shunt	0.1Ω 15 A	0.01Ω 100 A
Keysight N3300 Electronic load modules	2 – N3305A	3 – N3305A
Fixed Resistor for CV Ripple and Noise	4.8Ω 1kW	2.4Ω 2kW

Test Record Form – Keysight N5748A and N5768A

Keysight N5748A and N5768A	Report No _____	Date _____
Description	Model	Minimum Specs. Results Maximum Specs.
Voltage Programming & Readback		
Minimum Voltage Vout	Both	160 mV _____ 240 mV
Measurement Readback	Both	Vout – 80 mV _____ Vout + 80 mV
High Voltage Vout	Both	79.92 V _____ 80.08 V
Measurement Readback	Both	Vout – 160 mV _____ Vout + 160 mV
CV Load Effect	Both	– 10 mV _____ + 10 mV
CV Source Effect	Both	– 10 mV _____ + 10 mV
CV Ripple and Noise		
peak-to-peak	Both	N/A _____ 80 mV
rms	Both	N/A _____ 8 mV
Transient Response		
Voltage @ 1ms	Both	– 400 mV _____ + 400 mV
Current Programming & Readback		
Minimum Current Iout	N5748A	38 mA _____ 57 mA
	N5768A	76 mA _____ 114 mA
Measurement Readback	N5748A	Iout – 28.5 mA _____ Iout + 28.5 mA
	N5768A	Iout – 57 mA _____ Iout + 57 mA
High Current Iout	N5748A	9.481 A _____ 9.519 A
	N5768A	18.962 A _____ 19.038 A
Measurement Readback	N5748A	Iout – 38 mA _____ Iout + 38 mA
	N5768A	Iout – 76 mA _____ Iout + 76 mA
CC Load Effect	N5748A	– 6.9 mA _____ + 6.9 mA
	N5768A	– 8.8 mA _____ + 8.8 mA
CC Source Effect	N5748A	– 2.95 mA _____ + 2.95 mA
	N5768A	– 3.9 mA _____ + 3.9 mA

WARNING

Return the voltage and current settings to zero when verification is completed

Test Description	N5748A Setting	N5768A Setting
Voltage Programming & Readback, Min Voltage	200 mV, 47.5 mA	200 mV, 95 mA
Voltage Programming & Readback, High Voltage	80 V, 47.5 mA	80 V, 95 mA
CV Load Effect, Source Effect, Ripple and Noise	80 V, 9.5 A	80 V, 19 A
Transient Response	80 V, from 0.95 A to 8.55 A	80 V, from 1.9 A to 17.1 A
Current Programming & Readback, Min Current	47.5 mA, 80 V	95 mA, 80 V
Current Programming & Readback, High Current	9.5 A, 80 V	19 A, 80 V
CC Load Effect, Source Effect	9.5 A, 80 V	19 A, 80 V

Load Requirements	N5748A	N5768A
Current shunt	0.1Ω 15 A	0.01Ω 100 A
Keysight N3300 Electronic load modules	2 – N3305A	3 – N3305A
Fixed Resistor for CV Ripple and Noise	8.42Ω 1kW	4.21Ω 2kW

Test Record Form – Keysight N5749A and N5769A

Keysight N5749A and N5769A	Report No _____	Date _____
Description	Model	Minimum Specs. Results Maximum Specs.
Voltage Programming & Readback		
Minimum Voltage Vout	Both	200 mV _____ 300 mV
Measurement Readback	Both	Vout – 100 mV _____ Vout + 100 mV
High Voltage Vout	Both	99.9 V _____ 100.1 V
Measurement Readback	Both	Vout – 200 mV _____ Vout + 200 mV
CV Load Effect	Both	– 12 mV _____ + 12 mV
CV Source Effect	Both	– 12 mV _____ + 12 mV
CV Ripple and Noise		
peak-to-peak	Both	N/A _____ 80 mV
rms	Both	N/A _____ 8 mV
Transient Response		
Voltage @ 1ms	Both	– 500 mV _____ + 500 mV
Current Programming & Readback		
Minimum Current Iout	N5749A	30 mA _____ 45 mA
	N5769A	60 mA _____ 90 mA
Measurement Readback	N5749A	Iout – 22.5 mA _____ Iout + 22.5 mA
	N5769A	Iout – 45 mA _____ Iout + 45 mA
High Current Iout	N5749A	7.485 A _____ 7.515 A
	N5769A	14.97 A _____ 15.03 A
Measurement Readback	N5749A	Iout – 30 mA _____ Iout + 30 mA
	N5769A	Iout – 60 mA _____ Iout + 60 mA
CC Load Effect	N5749A	– 6.5 mA _____ + 6.5 mA
	N5769A	– 8 mA _____ + 8 mA
CC Source Effect	N5749A	– 2.75 mA _____ + 2.75 mA
	N5769A	– 3.5 mA _____ + 3.5 mA

WARNING Return the voltage and current settings to zero when verification is completed

Test Description	N5749A Setting	N5769A Setting
Voltage Programming & Readback, Min Voltage	250 mV, 37.5 mA	250 mV, 75 mA
Voltage Programming & Readback, High Voltage	100 V, 37.5 mA	100 V, 75 mA
CV Load Effect, Source Effect, Ripple and Noise	100 V, 7.5 A	100 V, 15 A
Transient Response	100 V, from 0.75 A to 6.75 A	100 V, from 1.5 A to 13.5 A
Current Programming & Readback, Min Current	37.5 mA, 100 V	75 mA, 100 V
Current Programming & Readback, High Current	7.5 A, 100 V	15 A, 100 V
CC Load Effect, Source Effect	7.5 A, 100 V	15 A, 100 V

Load Requirements	N5749A	N5769A
Current shunt	0.1Ω 15 A	0.1Ω 15 A
Keysight N3300 Electronic load modules	2 – N3305A	3 – N3305A
Fixed Resistor for CV Ripple and Noise	13.33Ω 1kW	6.67Ω 2kW

Test Record Form – Keysight N5750A and N5770A

Keysight N5750A and N5770A	Report No _____	Date _____
Description	Model	Minimum Specs. Results Maximum Specs.
Voltage Programming & Readback		
Minimum Voltage Vout	Both	300 mV _____ 450 mV
Measurement Readback	Both	Vout – 150 mV _____ Vout + 150 mV
High Voltage Vout	Both	149.85 V _____ 150.15 V
Measurement Readback	Both	Vout – 300 mV _____ Vout + 300 mV
CV Load Effect	Both	– 17 mV _____ + 17 mV
CV Source Effect	Both	– 17 mV _____ + 17 mV
CV Ripple and Noise		
peak-to-peak	Both	N/A _____ 100 mV
rms	Both	N/A _____ 12 mV
Transient Response		
Voltage @ 2ms	Both	– 750 mV _____ + 750 mV
Current Programming & Readback		
Minimum Current Iout	N5750A	20 mA _____ 30 mA
	N5770A	40 mA _____ 60 mA
Measurement Readback	N5750A	Iout – 15 mA _____ Iout + 15 mA
	N5770A	Iout – 30 mA _____ Iout + 30 mA
High Current Iout	N5750A	4.99 A _____ 5.01 A
	N5770A	9.98 A _____ 10.02 A
Measurement Readback	N5750A	Iout – 20 mA _____ Iout + 20 mA
	N5770A	Iout – 40 mA _____ Iout + 40 mA
CC Load Effect	N5750A	– 6 mA _____ + 6 mA
	N5770A	– 7 mA _____ + 7 mA
CC Source Effect	N5750A	– 2.5 mA _____ + 2.5 mA
	N5770A	– 3 mA _____ + 3 mA

WARNING

Return the voltage and current settings to zero when verification is completed

Test Description	N5750A Setting	N5770A Setting
Voltage Programming & Readback, Min Voltage	375 mV, 25 mA	375 mV, 50 mA
Voltage Programming & Readback, High Voltage	150 V, 25 mA	150 V, 50 mA
CV Load Effect, Source Effect, Ripple and Noise	150 V, 5 A	150 V, 10 A
Transient Response	150 V, from 0.5 A to 4.5 A	150 V, from 1 A to 9 A
Current Programming & Readback, Min Current	25 mA, 150 V	50 mA, 150 V
Current Programming & Readback, High Current	5 A, 150 V	10 A, 150 V
CC Load Effect, Source Effect	5 A, 150 V	10 A, 150 V
Load Requirements		
	N5750A	N5770A
Current shunt	0.1Ω 15 A	0.1Ω 15 A
Keysight N3300 Electronic load modules	2 – N3305A	3 – N3305A
Fixed Resistor for CV Ripple and Noise	30.0Ω 1kW	15.0Ω 2kW

Test Record Form – Keysight N5751A and N5771A

Keysight N5751A and N5771A	Report No _____	Date _____
Description	Model	Minimum Specs. Results Maximum Specs.
Voltage Programming & Readback		
Minimum Voltage Vout	Both	600 mV _____ 900 mV
Measurement Readback	Both	Vout – 300 mV _____ Vout + 300 mV
High Voltage Vout	Both	299.7 V _____ 300.3 V
Measurement Readback	Both	Vout – 600 mV _____ Vout + 600 mV
CV Load Effect	Both	– 32 mV _____ + 32 mV
CV Source Effect	Both	– 32 mV _____ + 32 mV
CV Ripple and Noise		
peak-to-peak	Both	N/A _____ 150 mV
rms	Both	N/A _____ 20 mV
Transient Response		
Voltage @ 2ms	Both	– 1 V _____ + 1 V
Current Programming & Readback		
Minimum Current Iout	N5751A	10 mA _____ 15 mA
	N5771A	20 mA _____ 30 mA
Measurement Readback	N5751A	Iout – 7.5 mA _____ Iout + 7.5 mA
	N5771A	Iout – 15 mA _____ Iout + 15 mA
High Current Iout	N5751A	2.495 A _____ 2.505 A
	N5771A	4.99 A _____ 5.01 A
Measurement Readback	N5751A	Iout – 10 mA _____ Iout + 10 mA
	N5771A	Iout – 20 mA _____ Iout + 20 mA
CC Load Effect	N5751A	– 5.5 mA _____ + 5.5 mA
	N5771A	– 6 mA _____ + 6 mA
CC Source Effect	N5751A	– 2.25 mA _____ + 2.25 mA
	N5771A	– 2.5 mA _____ + 2.5 mA

WARNING Return the voltage and current settings to zero when verification is completed

Test Description	N5751A Setting	N5771A Setting
Voltage Programming & Readback, Min Voltage	750 mV, 12.5 mA	750 mV, 25 mA
Voltage Programming & Readback, High Voltage	300 V, 12.5 mA	300 V, 25 mA
CV Load Effect, Source Effect, Ripple and Noise	300 V, 2.5 A	300 V, 5 A
Transient Response	200 V, from 0.25 A to 2.25 A	200 V, from 0.5 A to 4.5 A
Current Programming & Readback, Min Current	12.5 mA, 300 V	25 mA, 300 V
Current Programming & Readback, High Current	2.5 A, 300 V	5 A, 300 V
CC Load Effect, Source Effect	2.5 A, 300 V	5 A, 300 V
Load Requirements		
Current shunt	0.1Ω 15 A	0.1Ω 15 A
Use fixed resistor instead of load modules	120Ω 1kW	60Ω 2kW
Fixed Resistor for CV Ripple and Noise	120Ω 1kW	60Ω 2kW

Test Record Form – Keysight N5752A and N5772A

Keysight N5752A and N5772A	Report No _____	Date _____
Description	Model	Minimum Specs. Results Maximum Specs.
Voltage Programming & Readback		
Minimum Voltage Vout	Both	1.2 V _____ 1.8 V
Measurement Readback	Both	Vout – 600 mV _____ Vout + 600 mV
High Voltage Vout	Both	599.4 V _____ 600.6 V
Measurement Readback	Both	Vout – 1.2 V _____ Vout + 1.2 V
CV Load Effect	Both	– 62 mV _____ + 62 mV
CV Source Effect	Both	– 62 mV _____ + 62 mV
CV Ripple and Noise		
peak-to-peak	Both	N/A _____ 300 mV
rms	Both	N/A _____ 60 mV
Transient Response		
Voltage @ 2ms	Both	– 1 V _____ + 1 V
Current Programming & Readback		
Minimum Current Iout	N5752A	5.2 mA _____ 7.8 mA
	N5772A	10.4 mA _____ 15.6 mA
Measurement Readback	N5752A	Iout – 3.9 mA _____ Iout + 3.9 mA
	N5772A	Iout – 7.8 mA _____ Iout + 7.8 mA
High Current Iout	N5752A	1.2974 A _____ 1.3026 A
	N5772A	2.5948 A _____ 2.6052 A
Measurement Readback	N5752A	Iout – 5.2 mA _____ Iout + 5.2 mA
	N5772A	Iout – 10.4 mA _____ Iout + 10.4 mA
CC Load Effect	N5752A	– 5.26 mA _____ + 5.26 mA
	N5772A	– 5.5 mA _____ + 5.5 mA
CC Source Effect	N5752A	– 2.13 mA _____ + 2.13 mA
	N5772A	– 2.26 mA _____ + 2.26 mA

WARNING

Return the voltage and current settings to zero when verification is completed

Test Description	N5752A Setting	N5772A Setting
Voltage Programming & Readback, Min Voltage	1.5 V, 6.5 mA	1.5 V, 13 mA
Voltage Programming & Readback, High Voltage	600 V, 6.5 mA	600 V, 13 mA
CV Load Effect, Source Effect, Ripple and Noise	600 V, 1.3 A	600 V, 2.6 A
Transient Response	200 V, from 0.13 A to 1.17 A	200 V, from 0.26 A to 2.34 A
Current Programming & Readback, Min Current	6.5 mA, 600 V	13 mA, 600 V
Current Programming & Readback, High Current	1.3 A, 600 V	2.6 A, 600 V
CC Load Effect, Source Effect	1.3 A, 600 V	2.6 A, 600 V
Load Requirements		
Current shunt	0.1Ω 15 A	0.1Ω 15 A
Use fixed resistor instead of load modules	462Ω 1kW	231Ω 2kW
Fixed Resistor for CV Ripple and Noise	462Ω 1kW	231Ω 2kW

Calibration

Refer to the “Equipment Required” section in this appendix for a list of the equipment required for calibration. A general outline of the procedure is as follows:

- As shipped from the factory the calibration password is 0, which means password protection is removed and the ability to enter calibration mode is unrestricted. If a password has subsequently been set, you must enter the correct password – otherwise an error will occur. Once calibration has been entered, the password can be changed by the user.
- You do not have to do a complete calibration. If appropriate, you may calibrate only the voltage or current functions and then save the calibration constants. You can also save the date when the calibration was performed (see CAL:DATE <“date”>).
- As each calibration sequence is completed, the instrument saves the calibration constants and begins using them.
- Exit the calibration mode. Note that a Reset command (*RST) also sets the calibration state to OFF.

Calibration Procedure

Unless instructed otherwise, connect the +sense terminal to the +output, and the -sense terminal to the -output.

When calibrating the unit using SCPI commands, most calibration steps involve sending an *OPC? query to synchronize with the power supply’s command completion before proceeding. The response from the instrument must be read each time *OPC? is given.

NOTE

The CAL:LEV and CAL:DATA commands may take several seconds to complete. If a timeout occurs in your VISA application, you may need to change the VI_ATTR_TMO_VALUE in the ViSetAttribute function.

Voltage Programming and Measurement Calibration

Step 1. Connect the Keysight 3458A voltage input to the output.

Step 2. Enable voltage calibration mode.

```
*RST
OUTP ON
CAL:STAT ON
```

Step 3. Set the current limit high enough to allow unrestricted voltage programming.

```
ISET 0.5
```

Step 4. Select voltage calibration.

```
CAL:VOLT
```

Step 5. Select the first voltage calibration point.

```
CAL:LEV P1
*OPC?
```

Step 6. Measure the output voltage and enter the data.

```
CAL:DATA <data>
```

Step 7. Select the second voltage calibration point.

```
CAL:LEV P2
*OPC?
```

Step 8. Measure the output voltage and enter the data.

```
CAL:DATA <data>
```

Step 9. Exit calibration mode.

```
CAL:STAT OFF
```

Current Programming and Measurement Calibration

Step 1. Connect a precision shunt resistor to an output. Connect the Keysight 3458A across the shunt. The shunt should be able to measure at least 120% of the power supply's rated full-scale current.

Step 2. Enable current calibration mode.

```
*RST
OUTP ON
CAL:STAT ON
```

Step 3. Set the output voltage high enough to compensate for any voltage drops on the load leads and current shunt.

```
VSET 0.5
```

Step 4. Select current calibration.

```
CAL:CURR
```

Step 5. Select the first current calibration point.

```
CAL:LEV P1
*OPC?
```

Step 6. Calculate the shunt current ($I=V/R$) and enter the data.

```
CAL:DATA <data>
```

Step 7. Select the second current calibration point.

```
CAL:LEV P2
*OPC?
```

Step 8. Calculate the shunt current ($I=V/R$) and enter the data.

```
CAL:DATA <data>
```

Step 9. Exit calibration mode.

```
CAL:STAT OFF
```

Appendix C

Service

Types of Service Available.....	118
Repackaging for Shipment	118
Operating Checklist.....	118
Error Messages.....	120

This chapter discusses the procedures involved for returning a failed instrument to Keysight Technologies for service or repair. A procedure is included for diagnosing specific symptoms. Actual repair is done through unit exchange.

Types of Service Available

If your instrument fails during the warranty period, Keysight Technologies will replace or repair it free of charge. After your warranty expires, Keysight Technologies will replace or repair it at a competitive price.

Contact your nearest Keysight Technologies Service Center. They will arrange to have your instrument repaired or replaced.

Repackaging for Shipment

If the unit is to be shipped to Keysight Technologies for service or repair, be sure to:

- Attach a tag to the unit identifying the owner and indicating the required service or repair. Include the model number and full serial number.
- Place the unit in its original container with appropriate packaging material for shipping.
- Secure the container with strong tape or metal bands.

If the original shipping container is not available, place your unit in a container that will ensure at least 4 inches of compressible packaging material around all sides for the instrument. Use static-free packaging materials to avoid additional damage to your unit.

Keysight Technologies suggests that you always insure shipments.

Operating Checklist

If the power supply appears to be operating improperly, use the following procedures to determine whether the power supply, load, or external circuits are the cause.

Turn-on check out procedure

Turn off the unit and remove all external connections to the instrument. Follow the turn-on checkout procedure in chapter 2.

Trouble-shooting guide

If you have encountered problems during the checkout procedure, use the following guide to diagnose a specific symptom. If the action does not remedy the problem, return the unit for service.

Symptom	Check	Action
No output. All displays and indicators are blank.	Is the AC power cord defective?	Check continuity. Replace if necessary.
	Is the AC input voltage within range?	Check AC input voltage. Connect to appropriate voltage source.
Output is present momentarily, but shuts off quickly. Display indicates AC.	Does the AC source voltage sag when a load is applied?	Check AC input voltage. Connect to appropriate voltage source.
Output is present momentarily, but shuts off quickly. Display indicates OUP.	Is the power supply configured for remote sensing?	Check if the positive or negative load wire is loose.
Output voltage will not adjust. Front panel CC LED is on.	Is the power supply in constant current mode?	Check the current limit setting and load current.
Output voltage will not adjust. Front panel CV LED is on.	Is the output voltage being adjusted above the OVP setting or below the UVL setting?	Set the OVP or UVL so that they will not limit the output.
Output current will not adjust. Front panel CV LED is on.	Is the unit in constant voltage mode?	Check the current limit and voltage setting.
Large ripple present in output.	Is the power supply in remote sense?	Check load and sense wires connection for noise and impedance effects.
	Is the voltage drop on the load wire high?	Minimize the drop on the load wires.
No output. Display indicates OUP.	Over-voltage circuit has tripped.	Turn off the POWER switch. Check load connections. If analog programming is used, check if the OVP is set lower than the output.
No output. Front panel PROT indicator is blinking.	Display indicates EIIA?	Check connector J1 ENABLE connection. Also check SW1 switch setting.
	Display indicates SO?	Check connector J1 Output Shut-Off connection.
	Display indicates O7P?	Check if air intake or exhaust is blocked. Check if unit is installed next to heat-generating equipment.
	Display indicates OCP?	Check OCP setting and load current.
Poor load regulation. Front panel CV LED is on.	Are sense wires properly connected?	Connect sense wires according to instructions in chapter 2.
Front panel controls are nonfunctional.	Is the power supply in Local Lockout mode?	Turn off the POWER switch and wait until the display turns off. Turn on the POWER switch and press the REM/LOC button.

Error Messages

Displaying the SCPI error queue

The entire error queue is read, then emptied, using the following command: SYST:ERR?

Error List

The following table documents the various error messages that the power supply supports:

Error	Device-dependent Errors (these errors set Standard Event Status register bit #3)
0	No error This is the response to the ERR? query when there are no errors.
100	Too many channels You have specified more channels than are installed in the mainframe.
101	Calibration state is off Calibration is not enabled. The instrument will not accept calibration commands.
102	Calibration password is incorrect The calibration password is incorrect.
104	Bad sequence of calibration commands Calibration commands have not been entered in the proper sequence.
114	CAL:DATE must be yyyy/mm/dd The calibration date must be entered in the numeric format yyyy=year, mm=month, dd=date
203	Compatibility function not implemented The requested compatibility function is not available.
204	NVRAM checksum error A checksum error has occurred in the instrument's nonvolatile random access memory.
205	NVRAM full The nonvolatile random access memory of the instrument is full.
206	File not found The internal calibration file or the internal channel attribute file was not found in NVRAM.
209	Output communications failure A hardware failure has occurred on the power supply.
302	Option not installed The option that is programmed by this command is not installed.
351	VOLT setting conflicts with VOLT:PROT setting Attempted to program the voltage above the over-voltage protection setting.
352	VOLT:PROT setting conflicts with VOLT setting Attempted to set the over-voltage protection below the voltage setting.
353	VOLT setting conflicts with VOLT:LIM:LOW setting Attempted to program the voltage below the under-voltage limit setting.
354	VOLT:LIM:LOW setting conflicts with VOLT setting Attempted to set the under-voltage limit above the voltage setting

Command Errors (these errors set Standard Event Status register bit #5)	
-100	Command error Generic syntax error.
-101	Invalid character An invalid character was found in the command string.
-102	Syntax error Invalid syntax was found in the command string. Check for blank spaces.
-103	Invalid separator An invalid separator was found in the command string. Check for proper use of , ; :
-104	Data type error A different data type than the one allowed was found in the command string.
-105	GET not allowed A group execute trigger is not allowed in a command string.
-108	Parameter not allowed More parameters were received than were expected.
-109	Missing parameter Fewer parameters were received than were expected.
-110	Command header error An error was detected in the header.
-111	Header separator error A character that was not a valid header separator was found in the command string.
-112	Program mnemonic too long The header contains more than 12 characters.
-113	Undefined header A command was received that was not valid for this instrument.
-114	Header suffix out of range The value of the numeric suffix is not valid.
-120	Numeric data error Generic numeric data error.
-121	Invalid character in number An invalid character for the data type was found in the command string.
-123	Exponent too large The magnitude of the exponent was larger than 32000.
-124	Too many digits The mantissa of a numeric parameter contained more than 255 digits, excluding leading zeros.
-128	Numeric data not allowed A numeric parameter was received but a character string was expected.
-130	Suffix error Generic suffix error
-131	Invalid suffix A suffix was incorrectly specified for a numeric parameter.
-134	Suffix too long The suffix contains more than 12 characters.
-138	Suffix not allowed A suffix is not supported for this command.
-140	Character data error Generic character data error

Command Errors (continued)

-141	Invalid character data Either the character data element contains an invalid character, or the element is not valid.
-144	Character data too long The character data element contains more than 12 characters.
-148	Character data not allowed A discrete parameter was received, but a string or numeric parameter was expected.
-150	String data error Generic string data error
-151	Invalid string data An invalid character string was received. Check that the string is enclosed in quotation marks.
-158	String data not allowed A character string was received, but is not allowed for this command.
-160	Block data error Generic block data error
-161	Invalid block data The number of data bytes sent does not match the number of bytes specified in the header.
-168	Block data not allowed Data was sent in arbitrary block format but is not allowed for this command.
-170	Expression error Generic expression error
-171	Invalid expression data The expression data element was invalid.
-178	Expression data not allowed Expression data element was sent but is not allowed for this command.

Execution Errors (these errors set Standard Event Status register bit #4)

-200	Execution error Generic syntax error
-220	Parameter error A data element related error occurred.
-221	Settings conflict A data element could not be executed because of the present instrument state.
-222	Data out of range A data element could not be executed because the value was outside the valid range.
-223	Too much data A data element was received that contains more data than the instrument can handle.
-224	Illegal parameter value An exact value was expected but not received.
-225	Out of memory The device has insufficient memory to perform the requested operation.
-226	Lists not same length One or more lists are not the same length.
-230	Data corrupt or stale Possible invalid data. A new reading was started but not completed.

Execution Errors (continued)

-231	Data questionable
------	--------------------------

	The measurement accuracy is suspect.
-232	Invalid format The data format or structure is inappropriate.
-233	Invalid version The version of the data format is incorrect to the instrument.
-240	Hardware error The command could not be executed because of a hardware problem with the instrument.
-241	Hardware missing The command could not be executed because of missing hardware, such as an option.
-260	Expression error An expression program data element related error occurred.
-261	Math error in expression An expression program data element could not be executed due to a math error.

Query Errors (these errors set Standard Event Status register bit #2)

-400	Query Error Generic error query
-410	Query INTERRUPTED A condition causing an interrupted query error occurred.
-420	Query UNTERMINATED A condition causing an unterminated query error occurred.
-430	Query DEADLOCKED A condition causing a deadlocked query error occurred.
-440	Query UNTERMINATED after indefinite response A query was received in the same program message after a query indicating an indefinite response was executed.

Appendix D

Compatibility

Differences – In General.....	126
Compatibility Command Summary.....	127

The Keysight N5700 power supplies are programmatically compatible with the Keysight 603xA power supplies. This means that you can remotely program the Keysight N5700 power supplies using the same commands that are used to program the 603xA power supplies.

CAUTION

Do not mix Compatibility with SCPI commands in the same program. This will result in unpredictable instrument behavior.

Differences – In General

The following table documents the general differences between the way Compatibility commands work on the Keysight N5700 power supplies and the way they worked on the Keysight 603xA power supplies.

Item	Differences
Queries	<p>The Keysight N5700 will respond to multiple queries.</p> <p>It will not allow a space separator between numbers.</p> <p>It will not allow a user to query information, read back only a portion of the information, send another command, and finish reading back the information from the original query.</p> <p>Sending a second query without reading the response to the first will generate an error.</p> <p>Model number queries will only return the N5700 model numbers.</p>
Status functions	<p>Serial Poll will be controlled by the SCPI status model and will not act like a 603xA power supply.</p> <p>SRQ will be controlled by the SCPI status model.</p> <p>Parallel poll will not work.</p>
Settings	<p>The full-scale limits will match the Keysight N5700 limits.</p>
Measurement	<p>Floating point numbers returned by the instrument may not have exactly the same syntax or number of digits.</p>
Calibration	<p>Calibration must be done in SCPI.</p>
Storage states	<p>The Keysight N5700 units have 16 volatile states.</p>

Compatibility Command Summary

The following table documents the compatibility commands that the Keysight N5700 power supplies support. All compatibility commands are accepted; however, some commands do nothing.

Compatibility Command	Description	Similar SCPI Command
ASTS?	Queries the accumulated status (ASTS). The response represents the sum of the binary weights of the ASTS register bits. The ASTS register is set to the present status after being queried.	STAT:OPER:EVENT? STAT:QUES:EVENT? *ESE?
CLR	Returns the power supply to the power-on state. Same as *RST.	*RST
DLY <delay>	Generates error 203.	
DLY?	Generates error 203.	
ERR?	Queries the present programming or hardware error. An error code number is returned over the GPIB to identify the error. The error register is cleared after being read.	SYST:ERR?
FAULT?	Queries the fault register. A bit is set in the fault register when the corresponding bit in both the status and the mask registers. The response is an integer 0 to 255. The fault register is cleared after being read.	STAT:OPER? STAT:QUES? *ESE?
FOLD	Turns the OCP on or off. This is only allowed for constant current mode (FOLD 2). Constant voltage mode (FOLD1) generates error 203.	CURR:PROT:STAT
FOLD?	Queries the OCP setting. The response is FOLD 2.	CURR:PROT:STAT?
HOLD	When turned on (HOLD 1), causes the VSET, ISET, FOLD, and UNMASK values to be held until a trigger occurs. This only applies to the compatibility functions, not the SCPI functions	VOLT:TRIG CURR:TRIG
HOLD?	Queries the hold setting. The response is HOLD 1.	
ID?	Queries the identification (model number) of the power supply.	*IDN?
IMAX	Sets a soft programming limit for current. Attempting to program the current above this setting will generate an error.	
IMAX?	Queries the IMAX setting. The response is a real number.	
IOUT?	Queries the measured output current. The response is a real number.	MEAS:CURR?
ISET <current>	Sets the output current.	CURR
ISET?	Queries the present current setting. The response is a real number.	CURR?
OUT <on off>	Turns the output on or off. On/off equals 1 turns the output on; equals 0 turns the output off.	OUTP:STAT
OUT?	Queries whether the output is turned on or off. The response is OUT 1 (on) or OUT 0 (off). The front panel displays OFF when the output is off.	OUTP:STAT?

Compatibility Command	Description	Similar SCPI Command
OVP	Sets the over-voltage trip point.	VOLT:PROT:LEV
OVP?	Queries the present over-voltage setting. The response is a real number.	VOLT:PROT:LEV?
RCL <reg>	Recalls the saved settings. There are up to 16 store/recall states. Saved settings must have been previously stored using the STO command.	*RCL
ROM?	Queries the revision date of the power supply's firmware.	*IDN?
RST	Resets any tripped protection.	OUTP:PROT:CLE
SRQ <setting>	Generates error 203. The service request capability of the power supply is only supported using the SCPI commands	*SRQ
SRQ?	Always returns 0.	*SRQ?
STO <reg>	Stores the present power supply settings in the specified register. There are up to 16 store/recall states.	*SAV
STS?	Queries the present status. The response represents the sum of the binary weights of the status register bits. The response is STS <n>	STAT:OPER:COND? STAT:QUES:COND?
TEST?	Always returns 0.	*TST?
TRG	Causes the settings held with HOLD 1 to be executed.	
UNMASK <setting>	Sets the bits in the mask register to the setting. The setting is an integer that represents the sum of the binary weights of the bits. The mask register operates in conjunction with the status and fault registers.	STAT:OPER:NTR STAT:OPER:PTR STAT:QUES:NTR STAT:QUES:PTR
UNMASK?	Queries the present setting of the mask register. The response is UNMASK <n>.	STAT:OPER:NTR? STAT:OPER:PTR? STAT:QUES:NTR? STAT:QUES:PTR?
VMAX	Sets the soft programming limit for voltage. Attempting to program the voltage above this setting will generate an error.	
VMAX?	Queries the VMAX setting. The response is VMAX <n>.	
VOUT?	Queries the measured output voltage. The response is a real number.	MEAS:VOLT?
VSET <voltage>	Sets the output voltage.	VOLT
VSET?	Queries the present voltage setting. The response is a real number.	VOLT?

Index

	4		
488	13, 50, 132		
	A		
ABOR	81	*OPC	77
AC INPUT	14, 92	*OPT?	80
1500 W units	21	*RCL	80
750 W units	21	*RST	80
accessories	18	*SAV	80
analog programming		*SRE	78
external resistance	46	*STB?	78
external voltage	45	*TST	80
terminals	45	*WAI	78
AUT	12	TRG	81
auto-restart	42	common mode current	30
	B	compatibility	
battery charging	30	command summary	127
	C	differences	126
calibration	115	connections	
current programming and measurement	116	6V to 60V models	24
equipment	96	80V to 600V models	25
procedure	115	analog	16
voltage programming and measurement	115	J1	34
calibration commands	68	J2	26
CAL CURR	68	multiple load	28
CAL DATA	68	parallel	30
CAL DATE	68	sense	15
CAL LEV	68	series	32
CAL PASS	68	series diode	33
CAL STAT	69	constant current (CC)	
CAL VOLT	69	CC	12
caution	4	check	37
cleaning	20	load effect	101
combining commands		mode	38
common commands	62	source effect	102
from different subsystems	61	constant voltage (CV)	
root specifier	61	check	36
command		CV	12
completion	64	load effect	98
synchronization	64	mode	38
common commands	65	noise	99
*CLS	76	source effect	99
*ESE	77	control socket	56
*ESR?	77	CURRENT	12
*IDN?	80	current monitoring, external	47
		current programming accuracy	101
		current readback accuracy	101
		current shunt	97
		CV/CC crossover	39
		CV/CC signal	39

D		K	
daisy-chain shut down	44	keywords	61
damage	19	L	
data socket	56	LAN	13, 132
DC AMPS	12	LAN interface.....	51
DC VOLTS	12	sockets.....	56
Default Gateway	58	Telnet.....	56, 59
device clear.....	64	LAN, private.....	54
DNS.....	58	LAN, site	52
E		last setting memory	42
electronic load	97	LFP.....	13
enable/disable terminals.....	43	LIMIT.....	13
environmental conditions.....	19, 92	load wiring.....	23
ERR	78	local voltage sensing.....	27
error messages	120	lock front panel	41
ESB.....	78	M	
F		magnetic fields.....	19
features	10	MAV	78
FINE	13	measure commands.....	69
front panel locking.....	41	MEAS CURR?.....	69
functions	11	MEAS VOLT?.....	69
G		message terminator	62
GPIB address	50	end or identify.....	62
GPIB interface.....	50	newline	62
grounding	19, 30	model numbers	18
H		model ratings	11
history	3	MSS	78
Hostname	58	multiple load connections.....	28
I		multipliers.....	63
impedance effects	29	N	
inductive loads.....	29	numerical data formats.....	63
initiate commands		O	
INIT.....	81	OCP.....	13, 132
INIT CONT	81	OPER	78
inspection	19	operating checklist.....	118
IO50		optional commands	60
IP Address.....	57	OUP	13
items supplied	18	OUT ON	12
J		outline diagram	19
J1 connector.....	14	output commands.....	70
J2 connector.....	14	OUTP.....	70
		OUTP PON STAT.....	70
		OUTP PROT CLE.....	70
		output grounding	30
		output noise	29
		output on/off control.....	42

Index

VOLTAGE 12
voltage monitoring, external 47
voltage programming accuracy 98
voltage readback accuracy 98
voltage sensing 26

W

warning 4
Web server 55
web URL's 5
wire sizes 23

Manual Backdating

The following documents the differences between front panel operation of the LXI-compliant units and the pre-LXI units.

LXI-compliant units (see page 10 for additional details)		Pre-LXI units	
<p>9 – LAN button</p>	<p><u>View address:</u> Press LAN to view the IP and Ethernet address. <u>Reset address:</u> Press and hold the LAN button for three seconds. Pressing the LAN button again while “LAn rES” is displayed resets the LAN configuration to the factory-shipped settings.</p>	<p>9 – REM button</p>	<p><u>Mode function:</u> Press REM to put the unit into local mode. This function is not available in LXI compliant units. <u>Address function:</u> Selects the GPIB address. Press and hold the REM button for three seconds to set the address with the Voltage knob.</p>
<p>10 – LAN indicator</p>	<p>When lit, indicates that the LAN has been configured and is operating normally. When blinking, identifies the unit for which the indicator has been set to blink by the unit’s Web server page.</p>	<p>10 – REM indicator</p>	<p>When lit, indicates that the unit is in Remote mode. This function is not available in LXI compliant units.</p>
<p>11 – OCP/488 button</p>	<p><u>Enable OCP:</u> Press OCP/488 to turn over-current protection (OCP) on. Press again to turn OCP off. <u>Reset OCP:</u> When an over-current protection event occurs, press the OUT ON button to enable the output and re-arm over-current protection. <u>GPIB address:</u> Press and hold the OCP/488 button for three seconds to set the address with the Voltage knob.</p>	<p>11 – OCP button</p>	<p><u>Enable function:</u> Press OCP to turn over-current protection (OCP) on. Press again to turn OCP off. <u>Reset OCP:</u> When an over-current protection event occurs, press the OUT ON button to enable the output and re-arm over-current protection.</p>
<p>12 – OCP indicator</p>	<p>When lit, indicates that over-current protection is enabled or on.</p>	<p>12 – OCP indicator</p>	<p>When lit, indicates that over-current protection is enabled or on.</p>



This information is subject to change without notice.
© Keysight Technologies 2004 - 2021
Edition 9, December 2021



5969-2917

www.keysight.com

Système d'alimentation CC Keysight Technologies Série N5700

Aide-mémoire

Consignes de sécurité

Les consignes de sécurité présentées dans cette section doivent être appliquées au cours des différentes phases d'utilisation de cet appareil. Le non-respect de ces précautions ou des avertissements et instructions spécifiques mentionnés dans ce manuel constitue une violation des normes de sécurité établies lors de la conception, de la fabrication et de l'usage normal de l'instrument. Keysight Technologies ne peut être tenu responsable du non-respect de ces consignes.

Généralités

N'utilisez ce produit que de la manière préconisée par le constructeur. Les fonctions de protection de ce produit risquent d'être endommagées si vous ne respectez pas les instructions d'utilisation.

Avant la mise sous tension

Vérifiez que vous avez bien respecté toutes les consignes de sécurité. Faites tous les branchements à l'appareil avant de le mettre sous tension. Notez les marquages externes à l'instrument décrits à la section "Symboles de sécurité".

Mise à la terre de l'instrument

Ce produit est un instrument de mesure de la catégorie de sécurité 1 (il comporte une borne de terre de protection). Afin de minimiser les risques d'électrocution, son châssis et son capot doivent être reliés à une terre électrique. L'instrument doit être relié à une source de courant alternatif par l'intermédiaire d'un cordon d'alimentation secteur pourvu d'un fil de terre connecté fermement à une terre électrique (terre de sécurité) au niveau de la prise de courant. Toute interruption du conducteur de protection (mise à la terre) ou tout débranchement de la borne de terre de protection donne lieu à un risque d'électrocution pouvant se traduire par des accidents graves.

Fusibles

L'instrument contient un fusible interne, auquel l'utilisateur n'a pas accès.

Ne pas utiliser en atmosphère explosive

N'utilisez pas l'instrument en présence de gaz ou de vapeurs inflammables.

Ne pas démonter le capot de l'instrument

Seules des personnes qualifiées, formées à la maintenance et conscientes des risques d'électrocution encourus peuvent démonter les capots de l'instrument. Débranchez toujours le cordon d'alimentation secteur et tous les circuits externes avant de démonter le capot de l'instrument.

Ne pas modifier l'instrument

N'installez pas de composants de remplacement et n'apportez aucune modification non autorisée à l'appareil. Pour toute opération de maintenance ou de réparation, renvoyez l'appareil à un bureau de vente et de service après-vente, afin d'être certain que les fonctions de sécurité seront sauvegardées.

En cas de dommages

Les instruments endommagés ou défectueux ne doivent pas être utilisés. Il est conseillé de les placer dans un lieu sûr en attendant qu'ils soient réparés par le personnel qualifié.








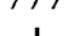
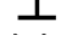


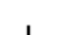







ATTENTION

La mention **ATTENTION** indique un risque. Si la procédure, le procédé ou les consignes ne sont pas exécutés correctement, le produit risque d'être endommagé ou les données d'être perdues. En présence de la mention **ATTENTION**, il convient de ne pas continuer tant que les conditions indiquées n'ont pas été parfaitement comprises et respectées.

AVERTISSEMENT

Une mention **AVERTISSEMENT** signale un danger. Si la procédure, le procédé ou les consignes ne sont pas exécutés correctement, les personnes risquent de s'exposer à des lésions graves. En présence d'une mention **AVERTISSEMENT**, il convient de s'interrompre tant que les conditions indiquées n'ont pas été parfaitement comprises et respectées.

Symboles de sécurité

	Courant continu.
	Courant alternatif.
	Courant à la fois continu et alternatif.
	Courant alternatif triphasé.
	Borne de terre (masse).
	Borne de terre de protection.
	Borne reliée au cadre ou au châssis.
	Borne au potentiel de terre.
	Conducteur neutre sur un équipement installé en permanence.
	Conducteur de phase sur un équipement installé en permanence.
	Alimentation en marche.
	Alimentation à l'arrêt.
	Alimentation en mode veille. L'appareil n'est pas complètement déconnecté du secteur si l'interrupteur est à l'arrêt.
	Position Marche d'un interrupteur par bouton poussoir bi-stable.
	Position Arrêt d'un interrupteur par bouton poussoir bi-stable.
	Attention, danger d'électrocution.
	Attention, surface chaude.
	Attention. Consultez la documentation fournie.
	Ne pas éliminer avec les ordures ménagères.

Dispositions légales

© Keysight Technologies 2004, 2006, 2014

Aucune partie du présent document ne peut être photocopiée, reproduite ou traduite dans une autre langue sans l'accord préalable écrit d'Keysight Technologies, conformément aux lois américaines et internationales relatives au copyright.

Le contenu de ce document est fourni « tel quel », et est sujet à modifications sans préavis dans les prochaines éditions. Dans les limites de la législation en vigueur, Keysight exclut en outre toute garantie, expresse ou implicite, quant à ce manuel et aux informations contenues dans ce dernier, notamment, mais sans s'y restreindre, toute garantie marchande et aptitude à un but particulier. Keysight ne saurait en aucun cas être tenu responsable des erreurs ou des dommages, incidents ou consécutifs, liés à la fourniture, à l'utilisation ou à l'exactitude de ce document ou aux performances de tout produit Keysight auquel il se rapporte. Si Keysight a passé un contrat écrit avec l'utilisateur et que certains termes de ce contrat semblent contradictoires avec ceux de ce document, ce sont les termes du contrat qui prévalent.

Table des matières

Système d'alimentation en courant continu Keysight N5700 : présentation succincte	5
Face avant : présentation succincte	7
Face arrière : présentation succincte	9
Installation de l'appareil	12
Branchement du cordon d'alimentation secteur	13
Branchement de charge (alimentations 6 V à 60 V)	15
Branchement de charge (alimentations 80 V à 600 V)	16
Régulation de la tension de sortie	17
Considérations relatives à la charge	18
Connexions en parallèle	19
Connexions en série	21
Fonctionnement normal	22
Fonctions de protection	23
Commandes d'activation/de désactivation de la sortie	24
Programmation analogique de la tension et du courant de sortie	26
Configuration et utilisation des interfaces de commande à distance	28

Système d'alimentation en courant continu Keysight N5700 : présentation succincte

Le système d'alimentation en courant continu Keysight Technologies série N5700 est composé d'alimentations à usage universel avec une grande diversité de courants et de tensions de sortie.

Ces alimentations ont un facteur de puissance corrigé et fonctionnent à partir d'une plage de tension alternative largement répandue dans le monde. Le courant et la tension de sortie sont affichés en permanence ; des voyants à diodes électroluminescentes indiquent l'état de fonctionnement complet de l'alimentation.

Via les commandes en face avant, l'utilisateur peut régler les paramètres de sortie et les niveaux de protection contre surtensions, sous-tensions et surintensités et afficher les réglages.

La face arrière comporte les connecteurs nécessaires pour contrôler et surveiller le fonctionnement de l'alimentation via des signaux analogiques ou des interfaces intégrées de communication distante.

Caractéristiques de sortie

- Tension constante/courant constant avec basculement automatique entre les deux modes.
- Commandes en face avant de la tension et du courant à haute résolution.
- Relecture précise de la tension et du courant.
- Coupure déclenchée de manière externe sur fronts indépendants et activation/désactivation déclenchée de manière externe par niveaux de signal.
- Fonctionnement en mode parallèle primaire/secondaire avec partage actif du courant.
- Régulation à distance de la tension pour compenser la chute dans les fils de liaison avec la charge.
- Programmation et surveillance par sorties analogiques.

Caractéristiques système

- Interface GBIB/LAN/USB intégrée.
- Serveur Web intégré pour contrôler l'instrument directement, via un navigateur Internet.
- Empilement sans perte de place : pas d'ouverture de ventilation sur les couvercles supérieur et inférieur.
- Tension d'entrée universelle avec correction active du facteur de puissance.
- Contrôle de la vitesse du ventilateur pour réduire le bruit et allonger sa durée de vie.

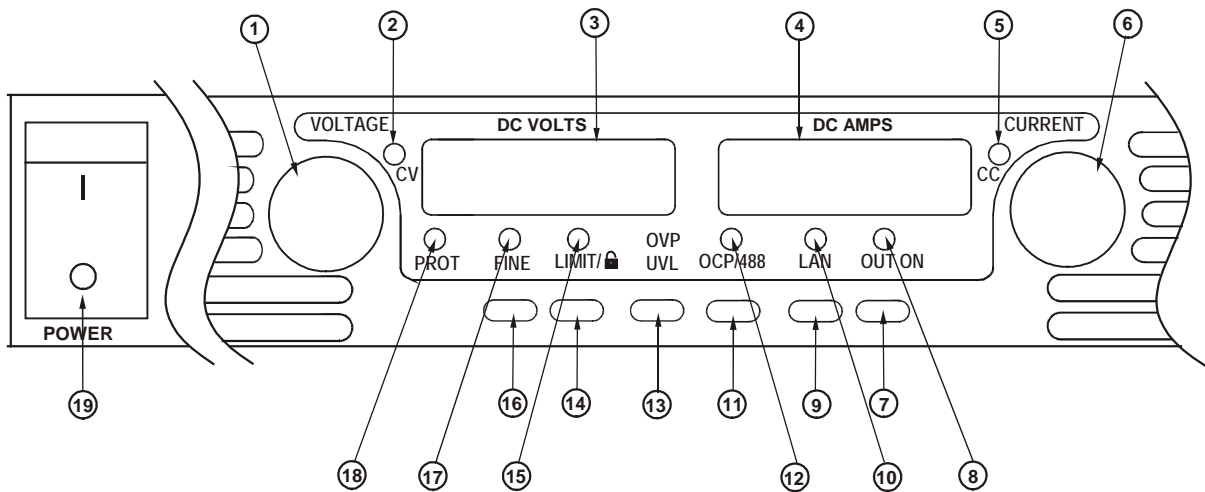
Fonctions programmables

- Réglage de la tension et du courant de sortie.
- Mesure de la tension et du courant de sortie.
- Réglage du déclenchement de la tension et du courant de sortie.
- Commande d'activation/de désactivation de la sortie.
- Réglage de la protection contre les surintensités.
- Réglage et relecture de la protection contre les surtensions.
- Réglage et relecture de la limite de sous-tension.
- Mode de démarrage (selon le dernier réglage ou en réinitialisation).
- Réglage et relecture de registres d'état.
- Déclenchement par bus.
- Etalonnage.

Tension et courant selon les modèles

Modèle	Plage de tension	Plage de courant	Modèle	Plage de tension	Plage de courant
N5741A	0-6 V	0-100 A	N5761A	0-6 V	0-180 A
N5742A	0-8 V	0-90 A	N5762A	0-8 V	0-165 A
N5743A	0-12,5 V	0-60 A	N5763A	0-12,5 V	0-120 A
N5744A	0-20 V	0-38 A	N5764A	0-20 V	0-76 A
N5745A	0-30 V	0-25 A	N5765A	0-30 V	0-50 A
N5746A	0-40 V	0-19 A	N5766A	0-40 V	0-38 A
N5747A	0-60 V	0-12,5 A	N5767A	0-60 V	0-25 A
N5748A	0-80 V	0-9,5 A	N5768A	0-80 V	0-19 A
N5749A	0-100 V	0-7,5 A	N5769A	0-100 V	0-15 A
N5750A	0-150 V	0-5 A	N5770A	0-150 V	0-10 A
N5751A	0-300 V	0-2,5 A	N5771A	0-300 V	0-5 A
N5752A	0-600 V	0-1,3 A	N5772A	0-600 V	0-2,5 A

Face avant : présentation succincte



1-Bouton VOLTAGE (tension)

Fonction de tension : règle la tension de sortie, le niveau de protection contre les surtensions et la limite de sous-tension. Si une protection contre les surtensions ou des limites de sous-tension ont été définies, vous ne pourrez pas programmer la tension de sortie en dehors de ces limites.

Adresse GPIB : sélectionne l'adresse GPIB si l'on maintient le bouton OCP/488 enfoncé.

2-Voyant CV (tension constante)

Lorsqu'il est allumé, ce voyant indique que l'alimentation fonctionne en mode de tension constante, la tension de sortie étant effectivement maintenue constante.

3-Ecran DC VOLTS (tension continue)

Cet écran présente normalement la tension mesurée sur les bornes de mesure. Si l'on appuie sur le bouton LIMIT, l'écran indique la tension programmée. Si l'on appuie sur le bouton OVP/UVL, l'écran indique le niveau de protection contre les surtensions (OVP) ou la limite de sous-tension (UVL). Si l'on maintient le bouton OCP/488 enfoncé, l'écran indique l'adresse GPIB. Lorsque vous appuyez sur le bouton LAN et le maintenez enfoncé, l'écran indique les adresses IP et Ethernet.

4-Ecran DC AMPS (courant continu)

Cet écran présente normalement le courant mesuré sur les bornes de sortie. Si l'on appuie sur le bouton LIMIT, l'écran indique le courant programmé. Lorsque vous appuyez sur le bouton LAN et le maintenez enfoncé, l'écran indique les adresses IP et Ethernet.

5-Voyant CC (courant constant)

Lorsqu'il est allumé, ce voyant indique que l'alimentation fonctionne en mode de courant constant, le courant de sortie étant effectivement maintenu constant.

6-Bouton CURRENT (courant)

Règle le courant de sortie.

7-Bouton OUT ON (activation de la sortie)

Fonction de sortie : appuyez sur OUT ON pour activer ou désactiver la sortie. Appuyez sur OUT ON pour réinitialiser et réactiver la sortie après qu'un événement OVP (protection contre les surtensions) ou OCP (protection contre les surintensités) s'est produit.

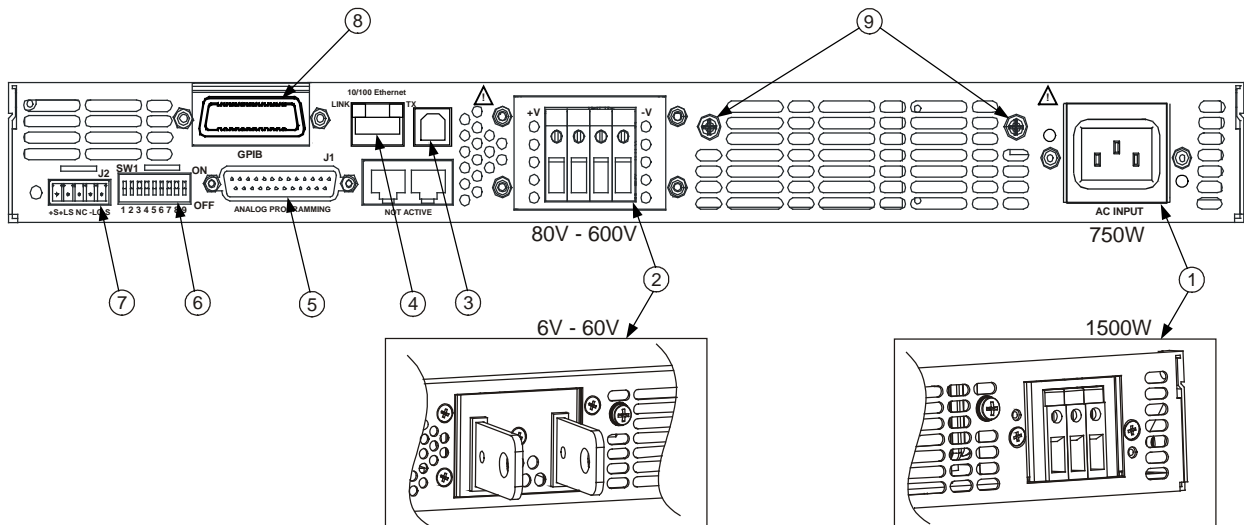
Fonction de démarrage : sélectionne le mode Safe-Start (démarrage de sécurité) ou Auto-Restart (redémarrage automatique). Maintenez le bouton OUT ON enfoncé pour passer du mode Safe-Start au mode Auto-Restart. L'écran affiche SAF ou AUT. Si l'on relâche le bouton OUT ON, le mode correspondant à celui affiché est sélectionné.

8-Voyant OUT ON (activation de la sortie)

Lorsqu'il est allumé, ce voyant indique que la sortie est activée.

9-Bouton LAN	<p><u>Affichage des adresses</u> : appuyez sur le bouton LAN pour afficher les adresses IP et Ethernet. L'écran fait défiler les quatre segments de l'adresse IP, puis les six segments de l'adresse Ethernet (EA). Appuyez sur n'importe quelle touche pour annuler l'affichage des adresses.</p> <p><u>Réinitialisation des adresses</u> : appuyez sur le bouton LAN et maintenez-le enfoncé pendant 3 secondes. A l'affichage du message "LAN rES", appuyez à nouveau sur le bouton LAN pour réinitialiser la configuration LAN à ses paramètres par défaut définis en usine. Reportez-vous au Guide de l'utilisateur pour connaître ces paramètres.</p>
10-Voyant LAN	<p>Le voyant allumé indique que le LAN a été configuré et qu'il fonctionne normalement. Le voyant clignotant indique que le LAN identifie l'unité dont la page d'accueil Web a configuré le voyant de sorte qu'il clignote.</p>
11-Bouton OCP/488 (protection contre les surintensités)	<p><u>Fonction d'activation</u> : appuyez sur OCP/488 pour activer la protection contre les surintensités. Appuyez à nouveau sur OCP/488 pour désactiver cette protection.</p> <p><u>Réinitialisation OCP</u> : lorsqu'un événement de protection contre les surintensités se produit, appuyez sur le bouton OUT ON pour activer la sortie et réarmer cette protection.</p> <p><u>Adresse GPIB</u> : Appuyez sur le bouton OCP/488 et maintenez-le enfoncé pendant trois secondes. Cela vous permet de définir l'adresse GPIB avec le bouton VOLTAGE.</p>
12-Voyant OCP	<p>Lorsqu'il est allumé, ce voyant indique que la protection contre les surintensités est activée.</p>
13-Bouton OVP/UVL (protection contre les surtensions/limite de sous-tension)	<p><u>Fonction OVP</u> : appuyez une fois sur OVP/UVL pour régler le niveau de protection contre les surtensions avec le bouton VOLTAGE (l'écran indique OUP). Vous ne pouvez pas régler la protection contre les surtensions à moins d'environ 5 % au dessus du réglage actuel de la tension de sortie.</p> <p><u>Fonction UVL</u> : appuyez deux fois sur OVP/UVL pour régler la limite de programmation de sous-tension avec le bouton VOLTAGE (l'écran indique UUL). Vous ne pouvez pas régler la protection contre les sous-tensions à plus d'environ 5 % en dessous du réglage actuel de la tension de sortie.</p>
14-Bouton LIMIT (limite)	<p><u>Fonction de limite</u> : appuyez sur LIMIT pour afficher la limite de la tension et du courant de sortie. Pendant cinq secondes, l'écran indique les réglages puis revient à l'affichage de la tension et du courant de sortie réels.</p> <p><u>Fonction de verrouillage</u> : maintenez le bouton LIMIT enfoncé pour passer du verrouillage au déverrouillage de la face avant. L'écran affiche LFP (verrouillage) ou UFP (déverrouillage). Si l'on relâche le bouton LIMIT, le mode correspondant à celui affiché est sélectionné. Si l'écran affiche rLFP, cela indique que le panneau avant a été verrouillé par une commande de programmation à distance.</p>
15-Voyant LIMIT (limite)	<p>Lorsqu'il est allumé, ce voyant indique que le bouton LIMIT est enfoncé.</p>
16-Bouton FINE (réglage fin)	<p>Sélectionne le mode de réglage fin ou grossier. En mode de réglage fin, les boutons VOLTAGE et CURRENT fonctionnent avec une résolution élevée ; en mode grossier, la résolution est faible (approximativement six tours).</p>
17-Voyant FINE (réglage fin)	<p>Lorsqu'il est allumé, ce voyant indique que l'alimentation est en mode de réglage fin.</p>
18-Voyant PROT (protection)	<p>Lorsqu'il clignote, ce voyant indique qu'une anomalie s'est produite. La détection d'une anomalie OVP, OCP, OTP, Enable et AC provoque le clignotement du voyant PROT. Ce voyant peut clignoter et l'écran peut afficher AC pendant quelques secondes après l'extinction de l'alimentation en raison de l'énergie résiduelle présente à l'intérieur de l'appareil.</p>
19-Interrupteur POWER (mise sous tension)	<p>Allume et éteint l'appareil.</p>

Face arrière : présentation succincte



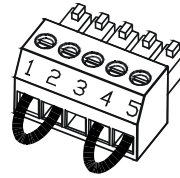
- | | |
|---|--|
| 1-Connecteur d'entrée secteur | Bornier de fils sur les modèles de puissance de sortie de 1 500 W.
Connecteur CEI sur les modèles de puissance de sortie de 750 W. |
| 2-Connecteur de sortie CC | Borniers de fils sur les modèles de 80 V à 600 V.
Barres conductrices sur les modèles 6 V à 60 V. |
| 3-Connecteur USB | Connecteur pour branchement à une interface USB. |
| 4-Connecteur LAN | Connecteur pour branchement à une interface LAN. Le voyant LINK indique l'intégrité de la liaison. Le voyant TX indique l'activité du réseau LAN. Reportez-vous au guide d'utilisation (User's Guide) pour la configuration du réseau LAN. |
| 5-Connecteur de programmation analogique | Connecteur pour l'interface analogique. Il inclut les signaux de programmation et de surveillance de la tension et du courant de sortie, le signal électrique de commande de coupure, la commande d'activation/désactivation (contacts secs), le témoin de bon fonctionnement de l'alimentation et le signal de mode de fonctionnement (tension constante/courant constant) (reportez-vous à la page suivante pour plus de détails). |
| 6-Commutateur de configuration SW1 | Commutateur à neuf positions pour sélectionner les modes de programmation et de surveillance de la tension de sortie, la limite de courant et d'autres fonctions de commande (reportez-vous à la page suivante pour plus de détails). |
| 7-Connecteur de mesure à distance | Connecteur pour réaliser des connexions de régulation à distance afin de réguler la tension au niveau de charge en compensant ainsi la chute de tension dans les fils (reportez-vous à la page suivante pour plus de détails). |
| 8-Connecteur GPIB | Connecteur pour branchement à une interface GPIB. |
| 9-Vis de masse | Vis M4x8 pour réaliser des branchements de masse au châssis. |

AVERTISSEMENT

RISQUE D'ELECTROCUTION Le cordon d'alimentation secteur assure une mise à la terre du châssis par l'intermédiaire d'un troisième conducteur. Vérifiez que votre prise de courant est de type trois conducteurs, la broche appropriée étant reliée à la terre.

Connecteur de mesure J2

- 1-Mesure à distance (+)
- 2-Mesure locale (+)
- 3-Non utilisé
- 4-Mesure locale (-)
- 5-Mesure à distance (-)



- Type de prise : MC 1.5/5-ST-3.81, Phoenix
- Section des fils : 0,08 mm² à 1,3 mm²
- Longueur dénudée : 7 mm
- Couple : 0,22-0,25 Nm

La configuration d'usine est illustrée par la figure.

Commutateur de configuration SW1

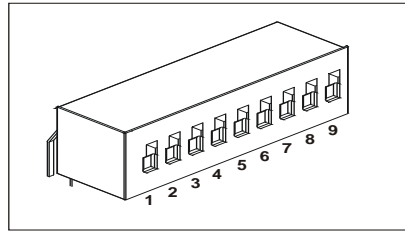


Fig.4-3: SW1 setup DIP switch

Tous les commutateurs sont en position basse dans la configuration d'usine.

1-Tension de sortie, programmation par tension

Bas: la tension de sortie est programmée par la face avant.

Haut: la tension de sortie est programmée par le signal de tension externe.

2-Courant de sortie, programmation par tension

Bas: le courant de sortie est programmé par la face avant.

Haut: le courant de sortie est programmé par le signal de tension externe.

3-Plage de programmation (tension/résistance)

Bas: la plage de programmation à distance est : 0-5 V/0-5 k Ω .

Haut: la plage de programmation à distance est : 0-10 V/0-10 k Ω .

4-Plage de surveillance tension et courant

Bas: la plage de surveillance à distance est : 0-5 V.

Haut: la plage de surveillance à distance est : 0-10 V

5-Polarité logique de coupure

Bas: SORTIE DESACTIVEE = niveau bas (0-0,6 V) ou court-circuit ; SORTIE ACTIVEE = niveau haut (2 V-15 V) ou circuit ouvert.

Haut: SORTIE DESACTIVEE = niveau haut (2 V-15 V) ou circuit ouvert ; SORTIE ACTIVEE = niveau bas (0-0,6 V) ou court-circuit.

6-Non utilisé

7-Tension de sortie, programmation par une résistance

Bas: la tension de sortie est programmée par la face avant.

Haut: la tension de sortie est programmée par la résistance externe.

8-Courant de sortie, programmation par une résistance

Bas: le courant de sortie est programmé par la face avant.

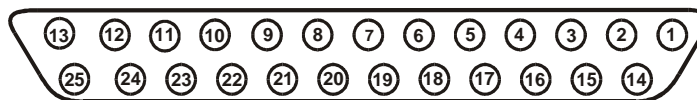
Haut: le courant de sortie est programmé par la résistance externe.

9-Contrôle d'activation/désactivation

Bas: Les broches Activation+/Activation- de J1 ne sont pas actives.

Haut: Les broches Activation+/Activation- de J1 sont actives.

Connecteur de programmation analogique J1



Prise adaptable : Numéro de référence AMP 745211-2
Section des fils : 0,13 mm² à 0,33 mm²
Outils d'extraction : Numéro de référence AMP 91232-1 ou équivalent

La configuration d'usine par défaut correspond à un fonctionnement local qui ne nécessite pas de branchement au connecteur J1.

Broche 1 :	Activation Entrée	Reliez la broche 1 à la broche 14 pour activer la sortie. Coupez cette liaison pour désactiver la sortie.
Broches 2, 3 :	Commun du châssis	Retour du signal pour les broches 15 et 16. Reliées au châssis.
Broches 4–7 :	Non utilisées	Pas de connexion.
Broche 8 :	Programmation locale/analogique	Entrée pour sélection de la programmation de la sortie depuis la face avant ou analogique.
Broche 9 :	Programmation de la tension	Entrée pour programmation de la tension de sortie par une tension ou une résistance.
Broche 10 :	Programmation du courant	Entrée pour programmation du courant de sortie par une tension ou une résistance.
Broche 11 :	Surveillance de la tension	Sortie pour surveillance de la tension de sortie.
Broche 12 :	Commun	Retour du signal des broches 8, 11, 13 et 24. Reliée intérieurement à –S.
Broche 13 :	Tension constante/ Courant constant	Sortie pour indication du mode tension constante/courant constant.
Broche 14 :	Activation Sortie	Reliez la broche 14 à la broche 1 pour activer la sortie. Coupez cette liaison pour désactiver la sortie.
Broche 15 :	Coupure	Entrée pour contrôle de la coupure de la sortie. Référencée au commun du châssis.
Broche 16 :	Témoin de bon fonctionnement de l'alimentation	Sortie pour indiquer l'état de l'alimentation. Référencée au commun du châssis.
Broches 17–20 :	Non utilisées	Pas de connexion.
Broche 21 :	Etat de programmation locale/analogique	Sortie pour indication du mode de programmation locale ou analogique.
Broche 22 :	Retour prog. tension	Retour du signal pour la broche 9. Reliée intérieurement à –S.
Broche 23 :	Retour prog. courant	Retour du signal pour la broche 10. Reliée intérieurement à –S.
Broche 24 :	Surveillance du courant	Sortie pour surveillance du courant de sortie.
Broche 25 :	Parallèle	Sortie pour équilibrage du courant en fonctionnement parallèle.

Installation de l'appareil

Consignes de sécurité

Cette alimentation est un appareil de la catégorie de sécurité 1, ce qui signifie qu'elle possède une borne de terre de protection, qui doit être reliée à la terre via une prise d'alimentation secteur équipée d'une borne de terre. Pour plus d'informations sur la sécurité, reportez-vous aux consignes de sécurité au début de ce document.

Environnement

AVERTISSEMENT N'utilisez pas l'appareil en présence de gaz inflammables ou de fumées.

ATTENTION N'obstruez pas l'entrée de ventilation à l'avant de l'appareil ou la sortie à l'arrière.

L'appareil ne doit fonctionner que dans des locaux fermés sous environnement contrôlé. La température ambiante ne doit pas dépasser 40° C.

Des ventilateurs refroidissent l'appareil en aspirant de l'air à l'avant et en le rejetant à l'arrière. L'espace doit être d'au moins 10 cm à l'avant et à l'arrière afin d'assurer une ventilation correcte.

Installation en baie

Les alimentations Keysight N5700 peuvent être installées dans un panneau ou une armoire de baie standard de 19 pouces. Pour installer l'alimentation dans une baie :

1. Utilisez les brides de montage en baie du panneau avant pour installer l'alimentation dans la baie.
2. Utilisez une bride de support pour fournir un support adéquat à l'arrière de l'alimentation.
3. Pour installer l'alimentation sur des glissières dans une baie d'équipements standard de 19 pouces, utilisez le kit de glissières de montage en baie Keysight N5740A. Trois vis #10 32 x 3/8 pouces (max.) sont nécessaires de chaque côté. Pour éviter tout dommage, n'utilisez que des vis de la longueur indiquée.

Nettoyage

AVERTISSEMENT **RISQUE D'ELECTROCUTION** Pour éviter tout risque, débranchez l'alimentation avant le nettoyage.

Utilisez un chiffon sec ou légèrement humidifié avec de l'eau pour nettoyer les parties externes. Ne tentez aucun nettoyage interne.

Branchement du cordon d'alimentation secteur

AVERTISSEMENT RISQUE D'ELECTROCUTION Le cordon d'alimentation secteur assure une mise à la terre du châssis par l'intermédiaire d'un troisième conducteur. Vérifiez que votre prise de courant est de type trois conducteurs, la broche appropriée étant reliée à la terre.

RISQUE D'INCENDIE N'utilisez que le cordon d'alimentation secteur fourni avec votre instrument. L'utilisation d'autres types de cordon d'alimentation secteur peut provoquer une surchauffe de celui-ci, avec un risque d'incendie.

REMARQUE Le cordon d'alimentation secteur amovible peut servir de dispositif de débranchement d'urgence. En le retirant, l'utilisateur débranche l'entrée secteur de l'appareil.

L'entrée secteur à l'arrière de l'appareil est de type universel. Elle accepte des tensions d'alimentation secteur comprises entre 85 V CA et 265 V CA. La plage de fréquence est comprise entre 47 Hz et 63 Hz.

La consommation nominale de courant requise est de 10,5 A sous 100 V CA et de 5 A sous 200 V CA pour les alimentations de 750 W. Elle est de 21 A sous 100 V CA et de 11 A sous 200 V CA pour les alimentations de 1 500 W.

Branchement d'entrée pour les alimentations 750 W

Branchez le cordon d'alimentation secteur au connecteur CEI 320 à l'arrière de l'appareil. Ce connecteur assure une mise à la terre de sécurité si le cordon d'alimentation est branché sur une prise secteur elle-même mise à la terre.

Si le cordon d'alimentation livré avec votre appareil est incorrect, contactez le bureau de vente et d'assistance Keysight le plus proche.

Branchement d'entrée pour les alimentations 1 500 W

ATTENTION Le branchement de cette alimentation au secteur doit être réalisé par un électricien ou tout autre personnel qualifié.

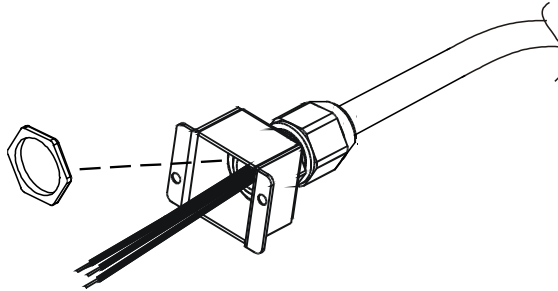
Le connecteur d'entrée secteur est un bornier à trois fils sur la face arrière. Utilisez les fils et couples de serrage appropriés.

Section des fils : 3,1 mm² ou 5,2 mm²

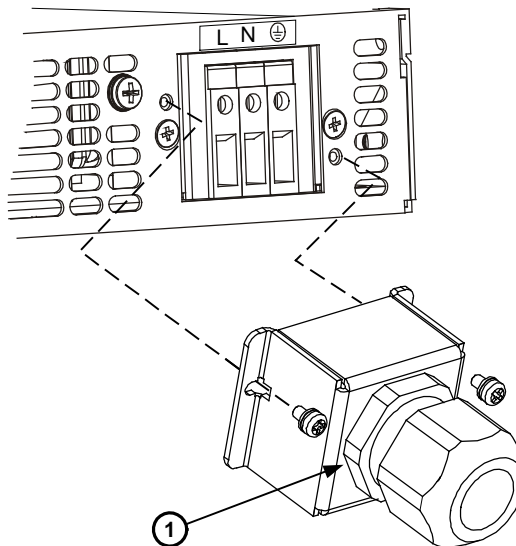
Couple : 0,73-0,79 Nm

Branchez le câble au connecteur d'entrée secteur comme suit :

- Retirez l'isolant externe du câble sur environ 10 cm. Coupez les fils de sorte que le fil de terre mesure 10 mm de plus que les autres. Dénudez l'extrémité de chaque fil sur 14 mm.
- Dévissez l'embase du serre-câble de l'écrou à compression. Placez l'écrou de blocage dans le couvercle de l'entrée secteur. Insérez l'embase à travers l'ouverture du couvercle de l'entrée secteur et vissez l'embase à fond dans l'écrou de blocage.



- Glissez l'écrou à compression sur le câble secteur. Insérez les fils dénudés à travers l'embase du serre-câble jusqu'à ce que la gaine externe du câble arrive au ras du bord de l'embase. Placez un écrou sur la base pour l'empêcher de tourner. Serrez l'écrou à compression sur l'embase tout en maintenant le câble en place.
- Acheminez soigneusement les fils jusqu'aux bornes du connecteur d'entrée. Pour brancher les fils, desserrez la vis de la borne, insérez les fils dénudés dans la borne puis resserrez la vis à fond.
- Acheminez les fils à l'intérieur du couvercle pour éviter tout pincement. Fixez le couvercle à l'alimentation à l'aide des vis à tête cylindrique M3 x 8 mm fournies. Reportez-vous à la figure suivante.



1-Serre-câble assemblé

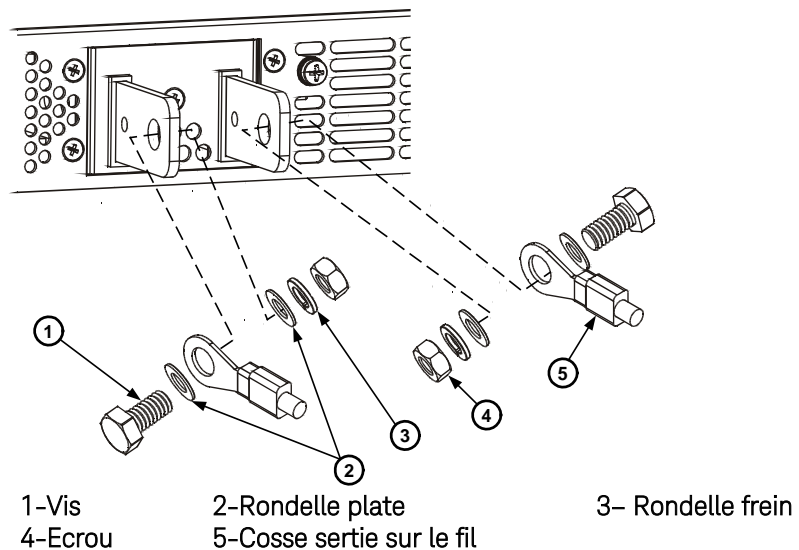
Branchement de charge (alimentations 6 V à 60 V)

AVERTISSEMENT RISQUE D'ELECTROCUTION Interrompez l'alimentation secteur avant de réaliser les branchements sur la face arrière. Tous les fils et cavaliers doivent être correctement branchés, les vis étant serrées à fond.

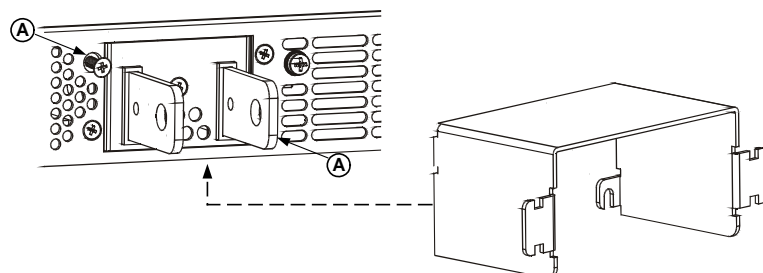
Afin de protéger le personnel de tout contact avec des tensions dangereuses, vérifiez que la charge et ses connexions ne présentent pas de parties sous tension accessibles. Vérifiez que l'isolation des fils de charge est égale ou supérieure à celle nécessaire pour la tension de sortie maximale de l'alimentation.

ATTENTION Vérifiez que le matériel de fixation ne court-circuite pas les bornes de sortie. Les câbles de connexions lourds doivent être munis de dispositifs réducteurs de contrainte pour éviter de desserrer les connexions ou de tordre les barres conductrices.

Comme le montre la figure suivante, tous les fils de charge doivent être munis de cosse solidement fixées aux bornes. N'utilisez pas de fils nus pour relier la charge à l'alimentation.



Montez le couvercle une fois que vous avez terminé le branchement des fils de charge. Fixez le couvercle avec les vis de châssis A.



Branchement de charge (alimentations 80 V à 600 V)

AVERTISSEMENT RISQUE D'ELECTROCUTION Interrompez l'alimentation secteur avant de réaliser les branchements sur la face arrière. Tous les fils et cavaliers doivent être correctement branchés, les vis étant serrées à fond.

Afin de protéger le personnel de tout contact avec des tensions dangereuses, vérifiez que la charge et ses connexions ne présentent pas de partie sous tension accessible et que l'isolement des fils de charge est égal ou supérieur à celui nécessaire pour la tension de sortie maximale de l'alimentation.

Les modèles 80 V à 600 V sont équipés d'un connecteur de sortie par bornier à quatre bornes. Les deux bornes de gauche correspondent au pôle positif et les deux bornes de droite au pôle négatif. Les spécifications du connecteur sont les suivantes :

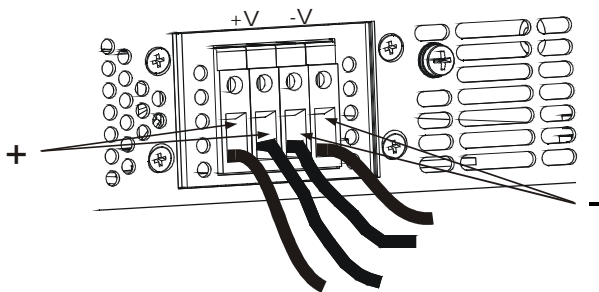
Section des fils : 0,78 mm² à 5,26 mm²

Longueur dénudée : 10 mm

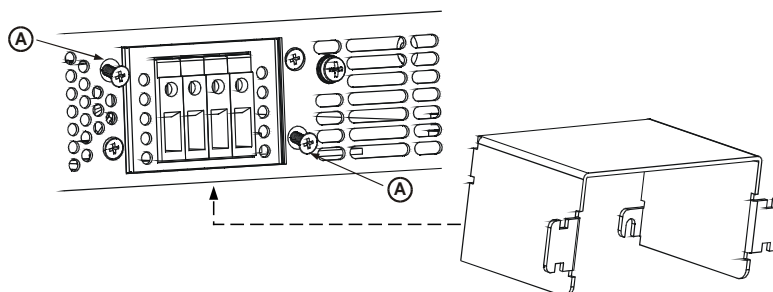
Couple : 0,73-0,79 Nm

Branchez les fils de charge à l'alimentation comme suit :

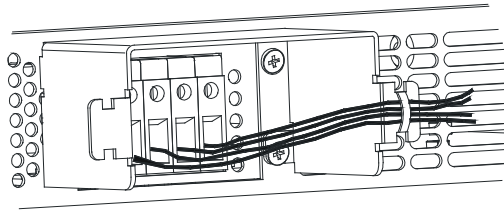
- Dénudez les fils sur 10 mm approximativement.
- Desserrez les vis des bornes du connecteur et insérez les fils dénudés dans les bornes. Serrez à fond les vis des bornes.



- Desserrez à moitié les deux vis de châssis marquées A.
- Fixez le couvercle de protection en resserrant les deux vis sur le châssis.



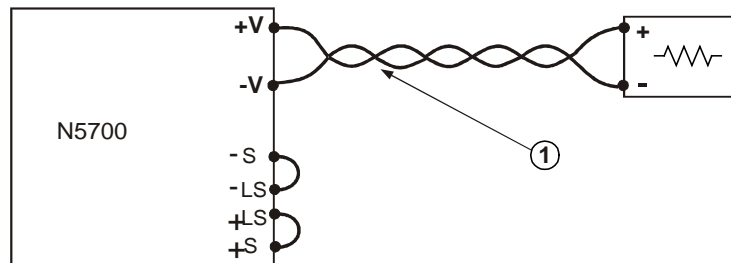
- Fixez les fils à l'un des côtés du couvercle à l'aide d'un collier serre-câble ou équivalent. Vérifiez que la longueur des fils est suffisante dans le couvercle pour soulager la traction.



Régulation de la tension de sortie

Régulation locale

L'alimentation est livrée avec le connecteur de régulation J2 de face arrière câblé pour la régulation locale de la tension de sortie (reportez-vous à la page 9). Dans ce cas, la régulation de la tension de sortie s'effectue directement au niveau des bornes de sortie. La régulation locale n'est recommandée que si le courant de charge est faible ou la régulation par rapport à la charge peu critique.

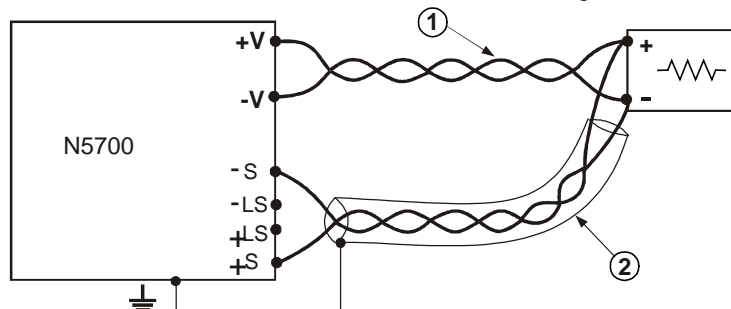


1 –Fils de charge. Paire torsadée ; aussi courte que possible.

Régulation à distance

Utilisez la régulation à distance si la régulation de charge est critique au niveau de charge. Elle permet à l'alimentation de compenser automatiquement la chute de tension des fils de charge.

Utilisez des fils torsadés ou blindés pour réduire le bruit capté. Si des fils blindés sont utilisés, connectez le blindage à la masse en un seul point, au châssis de l'alimentation ou à la masse de charge.



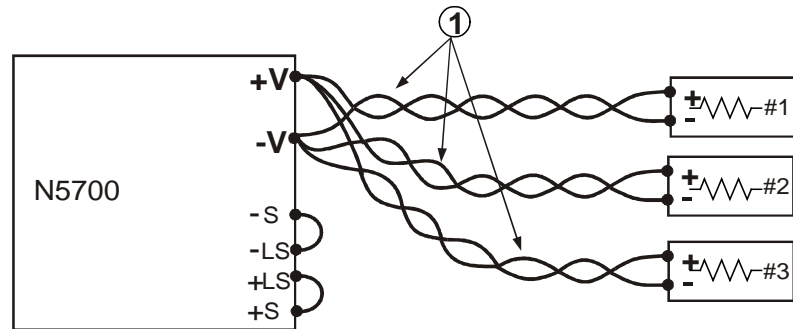
1 –Fils de charge. Paire torsadée ; aussi courte que possible.

2 –Fils de régulation. Paire torsadée ou fils blindés.

Considérations relatives à la charge

Charges multiples

La figure suivante représente plusieurs charges connectées à une seule alimentation. Chaque charge doit être connectée à la sortie de l'alimentation via une paire de fils distincte. Il est recommandé que chaque paire de fils soit aussi courte que possible et torsadée ou blindée pour réduire le captage et le rayonnement de bruit.

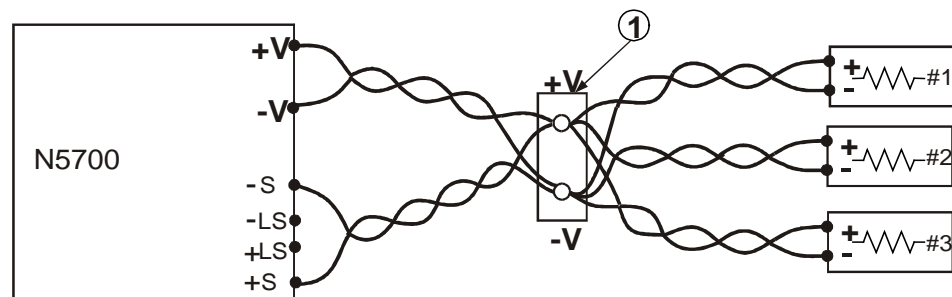


1 -Fils de charge. Paire torsadée ; aussi courte que possible.

Si des bornes de distribution à distance sont utilisées, comme le montre la figure suivante, les bornes de sortie de l'alimentation doivent être reliées aux bornes de distribution à distance à l'aide d'une paire de fils torsadés ou blindés. Branchez séparément chaque charge aux bornes de distribution. La régulation à distance de la tension est recommandée dans ces circonstances.

Charges inductives

Les charges inductives peuvent produire des pointes de tension dommageables à l'alimentation. Une diode doit être connectée aux bornes de sortie. La tension et le courant admissibles dans la diode doivent être supérieurs à la tension et au courant de sortie de l'alimentation. Connectez la cathode de la diode au pôle positif et son anode au pôle négatif de l'alimentation.



1-Borne de distribution.

Mise à la terre de la sortie

La sortie de l'alimentation est isolée de la terre. Toutefois, des tensions positives ou négatives peuvent être obtenues à la sortie en mettant à la terre une des bornes de sortie. Utilisez toujours deux fils pour relier la charge à la sortie, quel que soit le lieu ou le style de mise à la terre du système. Pour éviter les problèmes de bruit, mettez à la terre la borne de sortie aussi prêt que possible de la masse du châssis de l'alimentation.

AVERTISSEMENT

RISQUE D'ELECTROCUTION

Pour les modèles dont la tension nominale de sortie est inférieure à 60 V CC, aucun point de la sortie ne doit être à plus de ± 60 V CC au-dessus ou en-dessous de la masse du châssis.

Pour les modèles dont la tension nominale de sortie est supérieure à 60 V CC, aucun point du pôle positif ne doit être à plus de ± 600 V CC au-dessus ou en-dessous de la masse du châssis.

Pour les modèles dont la tension nominale de sortie est supérieure à 60 V CC, aucun point du pôle négatif ne doit être à plus de ± 400 V CC au-dessus ou en-dessous de la masse du châssis.

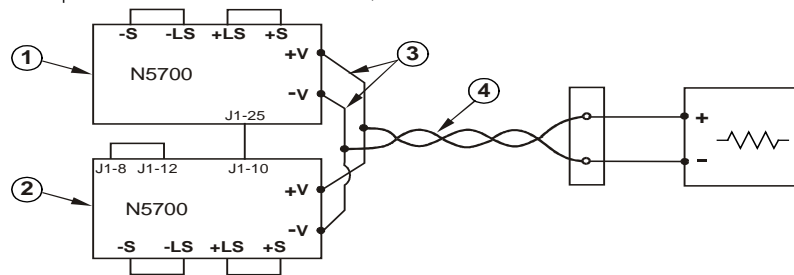
Connexions en parallèle

ATTENTION

Seules des alimentations dont les valeurs nominales de tension et de courant sont équivalentes peuvent être connectées en parallèle.

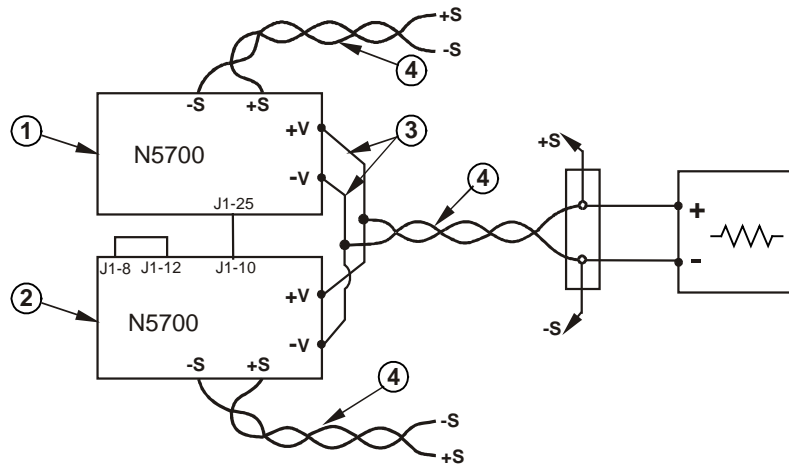
Jusqu'à quatre alimentations de même valeur nominale de tension et de courant peuvent être connectées en parallèle et fournir jusqu'à quatre fois le courant disponible sur une seule alimentation. Les figures suivantes représentent deux alimentations. Toutefois la même méthode de connexion est possible pour quatre alimentations.

Une des alimentations est primaire et les autres sont secondaires. Les alimentations secondaires fonctionnent comme des sources de courant contrôlées suivant le courant de sortie de l'alimentation primaire. A distance, seule l'alimentation primaire peut être programmée par l'ordinateur. La liaison des alimentations secondaires à l'ordinateur ne sert qu'à la lecture de la tension, du courant et de leur état.



Régulation locale

1-Alimentation primaire. 2-Alimentation secondaire. 3-Aussi court que possible.
4-Paire torsadée.



Régulation à distance

- 1-Alimentation primaire. 2-Alimentation secondaire.
3-Aussi court que possible. 4-Paire torsadée.

Réglage de l'alimentation primaire

Connectez le circuit de régulation locale ou à distance comme dans les figures précédentes. Réglez la tension de sortie de l'alimentation primaire à la valeur désirée. Programmez le courant à la valeur limite totale du courant désiré dans la charge divisée par le nombre d'alimentations connectées en parallèle. L'alimentation primaire fonctionne alors en mode de tension constante, régulant la tension aux bornes de charge à la valeur programmée.

Réglage des alimentations secondaires

Réglez l'interrupteur 2 du commutateur de configuration SW1 de la face arrière en position haute. Reliez la broche 10 (programmation du courant) du connecteur J1 de l'alimentation secondaire à la broche 25 (parallèle) du connecteur J1 de l'alimentation primaire. Connectez également un court-circuit entre la broche J1 8 et la broche J1 12. La tension de sortie des alimentations secondaires doit être supérieure à celle de l'alimentation primaire pour éviter une interférence avec la commande de cette alimentation primaire. Programmez la limite du courant de chaque alimentation à la valeur limite totale du courant désiré dans la charge divisée par le nombre d'alimentations connectées en parallèle.

Réglage de la protection contre les surtensions et les surintensités

Programmez la protection contre les surtensions de l'alimentation primaire au niveau désiré. Programmez le niveau de surtension des alimentations secondaires à une valeur supérieure à celle de l'alimentation primaire. Si l'alimentation primaire se coupe, elle programme la tension de sortie des alimentations secondaires à zéro.

Si vous le désirez, la protection contre les surintensités ne peut être utilisée qu'avec l'alimentation primaire. Si celle-ci se coupe, elle programme la tension de sortie de l'alimentation secondaire à zéro.

Connexions en série

AVERTISSEMENT RISQUE D'ELECTROCUTION

Pour les modèles dont la tension nominale de sortie est inférieure à 60 V CC, aucun point de la sortie ne doit être à plus de ± 60 V CC au-dessus ou en-dessous de la masse du châssis.

Pour les modèles dont la tension nominale de sortie est supérieure à 60 V CC, aucun point du pôle positif ne doit être à plus de ± 600 V CC au-dessus ou en-dessous de la masse du châssis.

Pour les modèles dont la tension nominale de sortie est supérieure à 60 V CC, aucun point du pôle négatif ne doit être à plus de ± 400 V CC au-dessus ou en-dessous de la masse du châssis.

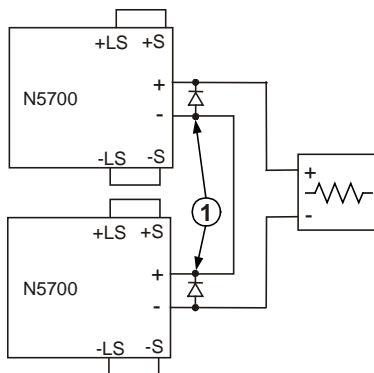
ATTENTION

Seules des alimentations dont les valeurs nominales de tension et de courant sont équivalentes peuvent être connectées en série.

Deux alimentations de même valeur nominale de tension et de courant peuvent être connectées en série pour doubler la tension de sortie disponible. Parce que le courant est identique dans chaque élément d'un circuit en série, les sorties connectées en série **DOIVENT** avoir des valeurs nominales de courant équivalentes.

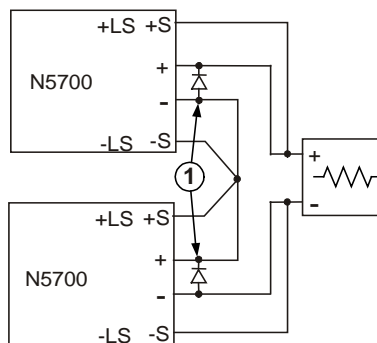
Il est recommandé de connecter des diodes en parallèle avec chaque sortie pour éviter une tension inverse lors de la séquence de démarrage ou si l'une des alimentations s'interrompt. Chaque diode devra supporter au moins la valeur nominale de la tension et du courant de l'alimentation.

Les figures suivantes illustrent des connexions en série avec régulation locale et à distance, et un schéma d'alimentations connectées en série configurées pour obtenir une tension positive et une tension négative.

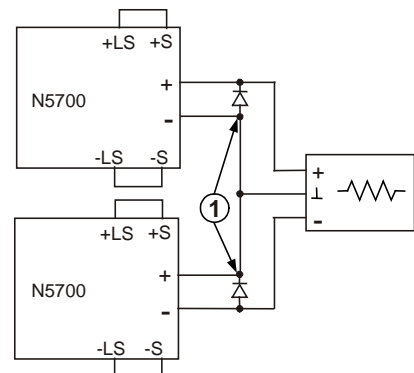


Régulation locale

1-L'utilisateur doit fournir les diodes.



Régulation à distance



Tension positive et tension négative

Fonctionnement normal

Mode de tension constante

En mode de tension constante, l'alimentation régule la tension de sortie à la valeur sélectionnée, alors que le courant de charge varie selon la valeur de celle-ci. Si l'alimentation fonctionne en mode de tension constante, le voyant CV s'allume sur la face avant.

Si la sortie est activée, tournez le bouton VOLTAGE pour programmer la tension de sortie. Si la sortie est désactivée, appuyez sur le bouton LIMIT puis tournez 1VOLTAGE. L'écran DC VOLTS affiche la tension programmée pendant 5 secondes puis OFF.

Le bouton VOLTAGE peut se régler avec une résolution grossière ou fine. Appuyez sur le bouton FINE pour sélectionner la résolution fine. Le voyant FINE s'allume.

REMARQUE

Si vous ne pouvez pas régler la tension de sortie à la valeur désirée, l'alimentation fonctionne peut-être à sa limite de courant. Vérifiez la condition de charge et la limite du courant. Le réglage de la tension maximale et minimale peut aussi être limité par les réglages de protection contre les surtensions et de limite de sous-tension.

Mode de courant constant

En mode de courant constant, l'alimentation régule le courant de sortie à la valeur sélectionnée, alors que la tension varie selon la valeur requise par la charge. Si l'alimentation fonctionne en mode de courant constant, le voyant CC s'allume sur la face avant.

Si la sortie est activée et en mode de courant constant, tournez le bouton CURRENT pour programmer la limite. Si la sortie est en mode de courant constant, appuyez sur le bouton LIMIT puis tournez le bouton CURRENT. L'écran DC AMPS affiche le courant programmé pendant 5 secondes puis le courant de sortie réel.

Si la sortie est désactivée, appuyez sur le bouton LIMIT puis tournez le bouton CURRENT. L'écran DC AMPS affiche le courant programmé pendant 5 secondes puis s'éteint, la sortie étant désactivée.

Le bouton CURRENT peut se régler avec une résolution grossière ou fine. Appuyez sur le bouton FINE pour sélectionner la résolution fine. Le voyant FINE s'allume.

Basculement entre les modes CV et CC

Le mode dans lequel fonctionne l'alimentation dépend du réglage de la tension, du réglage de la limite du courant et de la résistance de charge. Si l'alimentation fonctionne en mode de tension constante et si le courant de charge augmente au dessus du réglage de limite du courant, l'alimentation bascule en mode de courant constant. Si le courant de charge redevient inférieur à la limite du courant, l'alimentation repasse en mode de tension constante.

Signal CV/CC

ATTENTION

Ne branchez pas le signal CV/CC à une source de tension supérieure à 30 V CC. Branchez toujours le signal CV/CC à la source de tension avec une résistance en série afin de limiter le courant absorbé à 10 mA.

Le signal CV/CC disponible sur le connecteur J1 indique le mode de fonctionnement de l'alimentation. Le signal CV/CC est une sortie à collecteur ouvert avec une diode zéner de 30 V en parallèle sur la broche 13 de J1 et le commun de référence de la broche 12 de J1. Cette broche est connectée de manière interne à la borne -S. Si l'alimentation fonctionne en mode de tension constante, la sortie CV/CC est en circuit ouvert. Si l'alimentation fonctionne en mode de courant constant, le signal CV/CC est à l'état bas (0-0,6 V), avec un courant absorbé maximal de 10 mA.

Fonctions de protection

Protection contre les surtensions

La protection contre les surtensions coupe la sortie de l'alimentation si la tension de sortie dépasse la limite définie par le réglage OVP.

Pour régler la limite OVP, appuyez sur le bouton OVP/UVL de sorte que l'écran indique OUP. L'écran affiche le réglage OVP. Tournez le bouton VOLTAGE pour régler la limite OVP. L'écran affiche OVP et la valeur de réglage pendant 5 secondes de plus, puis revient à son état précédent. Si une condition de surtension se produit, la sortie est désactivée, l'écran affiche OVP et le voyant PROT clignote.

Limite de sous-tension

La limite de sous-tension empêche le réglage de la tension de sortie en dessous d'une certaine limite.

Le réglage UVL peut se réaliser si la sortie est activée ou désactivée. Pour régler la limite UVL, appuyez deux fois sur le bouton OVP/UVL de sorte que l'écran indique UUL. L'écran affiche le réglage UVL. Tournez le bouton VOLTAGE pour régler la limite UVL. L'écran affiche UUL et la valeur de réglage pendant 5 secondes de plus, puis revient à son état précédent.

Protection contre les surintensités

La protection contre les surintensités coupe la sortie de l'alimentation si le courant de sortie dépasse la limite définie par le réglage de courant.

Pour l'armer, appuyez sur le bouton OCP/488 afin que le voyant OCP s'allume. Si cette protection est armée, une transition entre le mode de tension constante et le mode de courant constant l'active. Si un événement de protection contre les surintensités se produit, la sortie est désactivée, l'écran affiche OCP et le voyant PROT clignote.

Protection contre les températures excessives

La protection contre les températures excessives coupe la sortie de l'alimentation si sa température interne devient trop élevée. Si une condition OTP se produit, la sortie est désactivée, l'écran affiche O7P et le voyant PROT clignote.

Verrouillage de la face avant

Les commandes de la face avant peuvent être verrouillées afin d'empêcher toute modification accidentelle des réglages. Maintenez le bouton LIMIT enfoncé pour passer du verrouillage au déverrouillage. L'écran affiche LFP (verrouillage) ou UFP (déverrouillage). Si l'on relâche le bouton LIMIT, le mode correspondant à celui affiché est sélectionné.

En mode déverrouillé, les commandes de la face avant sont activées pour programmer et surveiller les paramètres d'alimentation.

En mode verrouillé, les boutons VOLTAGE, CURRENT, OCP/488 et OUT ON sont désactivés. L'écran affiche LFP pour indiquer que la face avant est verrouillée. Le bouton OVP/UVL reste actif pour prévisualiser les réglages OVP et UVL. Le bouton LIMIT reste également actif pour prévisualiser les réglages de la tension et du courant de sortie ou pour déverrouiller la face avant.

Commandes d'activation/de désactivation de la sortie

Bouton OUT ON

Le bouton OUT ON active/désactive la sortie. Si elle est désactivée, la tension et le courant de sortie sont nuls et l'écran affiche OFF.

Bornes de coupure de la sortie

Les bornes de coupure de la sortie (SO) sont disponibles sur le connecteur J1 pour activer/désactiver la sortie de l'alimentation. Cette fonction est déclenchable sur des fronts. La broche 15 de J1 est l'entrée de coupure ; les broches 2 et 3, reliées en interne, sont le commun du signal. Toutes les broches sont isolées de la sortie par photocoupleur. L'entrée de coupure accepte un signal compris entre 2,5 V et 15 V ou un contact de type circuit ouvert/court-circuit pour activer/désactiver la sortie. La polarité logique est définie par l'interrupteur 5 du commutateur de configuration SW1.

Si une transition activation vers désactivation est détectée à l'entrée de coupure, la fonction de coupure active ou désactive la sortie selon le niveau du signal ou le circuit ouvert/court-circuit appliqué à la broche 15 de J1. Si la sortie est désactivée par la fonction de coupure, l'écran affiche SO pour indiquer cette désactivation.

Interrupteur 5 de SW1	Niveau du signal SO (coupure)	Sortie	Affichage
Position basse (défaut)	2 - 15 V ou circuit ouvert	Activée	Tension/courant
	0-0,4 V ou court-circuit	Désactivée	SO
Position haute	2 - 15 V ou circuit ouvert	Désactivée	SO
	0-0,4 V ou court-circuit	Activée	Tension/courant

Bornes d'activation/désactivation

ATTENTION Afin d'éviter tout dommage possible à l'alimentation, ne connectez pas les bornes Enable + et Enable – aux bornes de sortie positive et négative.

Ces bornes sont disponibles sur le connecteur J1 pour activer/désactiver la sortie de l'alimentation. Cette fonction est déclenchable sur des niveaux : il suffit de brancher un commutateur ou un relais entre les broches J1 1 et 14 . Elle est activée par l'interrupteur 9 du commutateur de configuration SW1.

Ces broches désactivent la sortie lorsqu'elles sont en circuit ouvert. Si la sortie est désactivée, le voyant PROT de la face avant clignote.

Interrupteur 9 de SW1	Broches ENA+/ENA–	Sortie	Affichage	Voyant Port
Position basse (défaut)	Non actives	Activée	Tension/courant	Eteint
Position haute	En circuit ouvert	Désactivée	ENA	Clignotant
	En court-circuit	Activée	Tension/courant	Eteint

Signal de bon fonctionnement de l'alimentation

Le signal de bon fonctionnement de l'alimentation du connecteur J1 indique une anomalie dans l'alimentation. La broche 16 de J1 délivre un signal de sortie TTL. Les broches 2 et 3 reliées en interne constituent le commun du signal. Toutes les broches sont isolées par photocoupleur de la sortie de l'alimentation. S'il n'y a pas d'anomalie, le signal de bon fonctionnement de l'alimentation est au niveau haut avec un courant de source maximal de 2 mA. En cas d'anomalie, le signal est au niveau bas avec un courant absorbé maximal de 1 mA. Ces anomalies mettent le signal au niveau bas :

Protection contre les surtensions	Signal d'activation/désactivation vrai
Protection contre les surintensités	Signal de coupure vrai
Protection contre les températures excessives	Panne d'interface
Panne d'alimentation secteur	Sortie désactivée

Démarrage de sécurité et redémarrage automatique

L'alimentation peut être programmée pour que, à sa mise sous tension, elle retrouve ses derniers réglages opérationnels (Safe-Start) ou réinitialisés (Auto-Restart). Maintenez le bouton OUT ON enfoncé pour passer de l'un à l'autre. L'écran affiche SAF ou AUT toutes les 3 secondes. Si l'on relâche le bouton OUT ON, le mode correspondant à celui affiché est sélectionné.

En démarrage de sécurité, les réglages de l'alimentation sont réinitialisés. La sortie est désactivée ; la tension et le courant de sortie sont nuls.

En redémarrage automatique, l'alimentation restaure les paramètres opérationnels à sa dernière extinction (consultez la liste suivante). La sortie est activée/désactivée selon la dernière configuration.

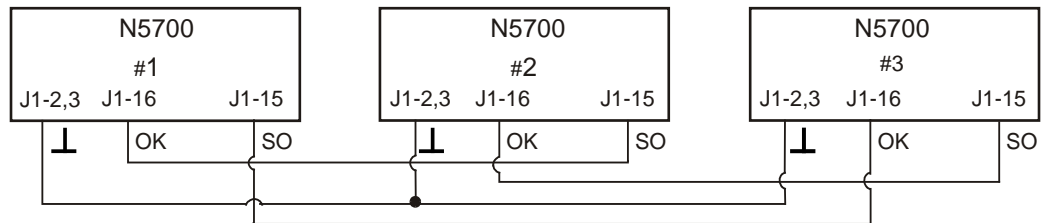
Sortie activée/désactivée
 Réglage de la tension de sortie
 Réglage du courant de sortie
 Niveau OVP

Limite de sous-tension
 Réglage OCP
 Face avant verrouillée/déverrouillée
 Mode de démarrage

Coupure de plusieurs alimentations

Il est possible de configurer un système à plusieurs alimentations de sorte qu'elles s'arrêtent toutes si une anomalie survient sur l'une d'elles. L'interrupteur 5 du commutateur de configuration SW1 doit être en position basse pour permettre la coupure simultanée de plusieurs alimentations. Les autres interrupteurs ne sont pas concernés par ce réglage.

Si une anomalie se produit sur une alimentation, son signal de bon fonctionnement passe à l'état bas et son écran indique l'anomalie. Les autres alimentations s'arrêtent et leurs écrans indiquent SO. Si l'anomalie disparaît, toutes les alimentations retrouvent leur état initial selon leurs réglages de démarrage de sécurité ou de redémarrage automatique.



Programmation analogique de la tension et du courant de sortie

Bornes de contrôle de programmation analogique

La broche 8 du connecteur J1 accepte un signal TTL ou un commutateur à contacts travail/repos (référéncé par rapport à la broche 12) pour sélectionner la programmation locale ou analogique de la tension et du courant de sortie. Cette fonction est activée ou désactivée par les interrupteurs 1 et 2 du commutateur de configuration SW1.

La broche 21 du connecteur J1 est une sortie à collecteur ouvert qui indique si l'alimentation est en mode de programmation locale ou en mode de programmation analogique. Pour utiliser cette sortie, connectez une résistance de maintien à une source de tension de 30 V CC au maximum. Choisissez cette résistance de sorte que le courant absorbé soit inférieur à 5 mA si la sortie est à l'état bas.

Interrupteurs 1 et 2	Broche 8 de J1 - fonction	Broche 21 de J1 - signal	Tension/courant de sortie - commande
Les deux en position basse (défaut)	Aucun effet	Ouvert	Locale
Un ou les deux en position haute	0 ou court-circuit	0~0,6 V	Analogique
	1 ou ouvert	Ouvert	Locale

Programmation de la tension et du courant de sortie par une tension

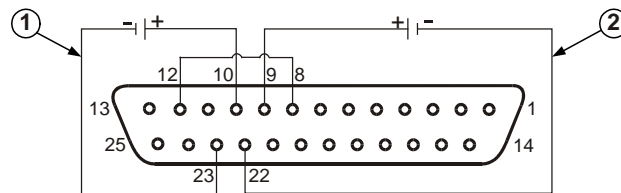
ATTENTION

Les broches 12, 22 et 23 de J1 sont connectées en interne à la borne de régulation négative. Ne référez pas ces broches à toute autre borne que celle de régulation négative, car cela peut endommager l'alimentation. Pour conserver l'isolement de l'alimentation et d'éviter les boucles de masse, utilisez une source de programmation isolée si vous faites fonctionner l'alimentation à l'aide de la programmation analogique.

Des sources de tension de programmation de 0-5 V ou 0-10 V peuvent être utilisées pour programmer la tension de sortie et la limite de courant entre zéro et la pleine échelle. Positionnez l'interrupteur 3 de SW1 pour sélectionner la plage de tension de programmation selon le tableau suivant. Vérifiez que les interrupteurs 1 et 2 de SW1 sont en position HAUTE, et que les interrupteurs 7 et 8 sont en position BASSE.

Interrupteur 3 de SW1	Programmation de la tension (broche 9 de J1)	Programmation du courant (broche 10 de J1)
Position basse (défaut)	0-5 V	0-5 V
Position haute	0-10 V	0-10 V

Branchez la source de programmation au connecteur J1 comme le montre la figure suivante. Respectez la polarité de la source de tension. Reliez également ensemble les broches 8 et 12 de J1.



- 1-Programmation de la limite du courant.
2-Programmation de la tension de sortie.

Programmation de la tension et du courant de sortie par une résistance

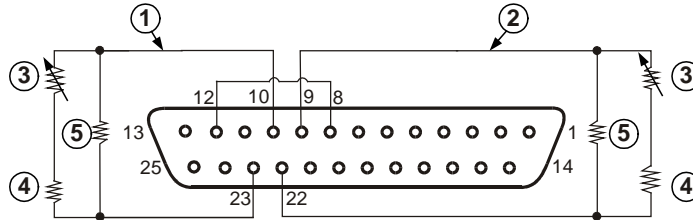
ATTENTION

Les broches 12, 22 et 23 de J1 sont connectées en interne à la borne de régulation négative. Ne référez pas ces broches à toute autre borne que celle de régulation négative, car cela peut endommager l'alimentation.

Des résistances de 0-5 k Ω ou 0-10 k Ω peuvent être utilisées pour programmer la tension de sortie et la limite de courant entre zéro et la pleine échelle. N'utilisez que des résistances stables et à faible bruit, avec un coefficient de température inférieur à 50 ppm. Positionnez l'interrupteur 3 de SW1 pour sélectionner la plage de résistance de programmation selon le tableau suivant. Vérifiez que les interrupteurs 1, 2, 7 et 8 de SW1 sont tous en position HAUTE.

Interrupteur 3 de SW1	Programmation de la tension (broche 9 de J1)	Programmation du courant (broche 10 de J1)
Position basse (défaut)	0-5 k Ω	0-5 k Ω
Position haute	0-10 k Ω	0-10 k Ω

Branchez les résistances de programmation au connecteur J1 comme le montre la figure suivante. Une résistance variable peut contrôler la sortie sur la totalité de sa plage. Une combinaison d'une résistance variable et de résistances en série/parallèle peut contrôler la sortie sur une portion restreinte de cette plage. Reliez également ensemble les broches 8 et 12 de J1.



- 1-Programmation de la limite du courant.
- 2-Programmation de la tension de sortie.
- 3-Résistance de programmation.
- 4-Résistance facultative, règle la limite inférieure.
- 5-Résistance facultative, règle la limite supérieure.

Surveillance externe de la tension et du courant de sortie

Le connecteur J1 délivre aussi des signaux analogiques pour surveiller la tension et le courant de sortie. La sélection de la plage de tension entre 0–5 V ou 0–10 V est réalisée par l'interrupteur 4 de SW1. Les signaux de surveillance représentent 0 à 100 % de la tension et du courant nominal de sortie de l'alimentation. Les sorties de surveillance ont une résistance de sortie en série de 500 Ω . Assurez-vous que le circuit de mesure a une résistance en entrée supérieure à 500 k Ω , sinon la précision est réduite.

Interrupteur 4 de SW1	Plage de tension	Connexion du signal sur J1	Fonction du signal
Position basse (défaut)	0-5 V	Broche 11 de J1	Surveillance de la tension
		Broche 24 de J1	Surveillance du courant
Position haute	0-10 V	Broche 11 de J1	Surveillance de la tension
		Broche 24 de J1	Surveillance du courant

La broche 12 de J1 est le commun du signal pour les broches 11 et 24 de J1.

Configuration et utilisation des interfaces de commande à distance

Le système d'alimentation CC Keysight N5700 accepte la communication par interface de commande à distance à l'aide de trois interfaces au choix : GPIB, USB et LAN. Les trois interfaces sont actives dès la mise sous tension. Pour de plus amples informations concernant la configuration et l'utilisation des interfaces de commande à distance, reportez-vous au guide d'utilisation (*User's Guide*) livré avec votre instrument.

