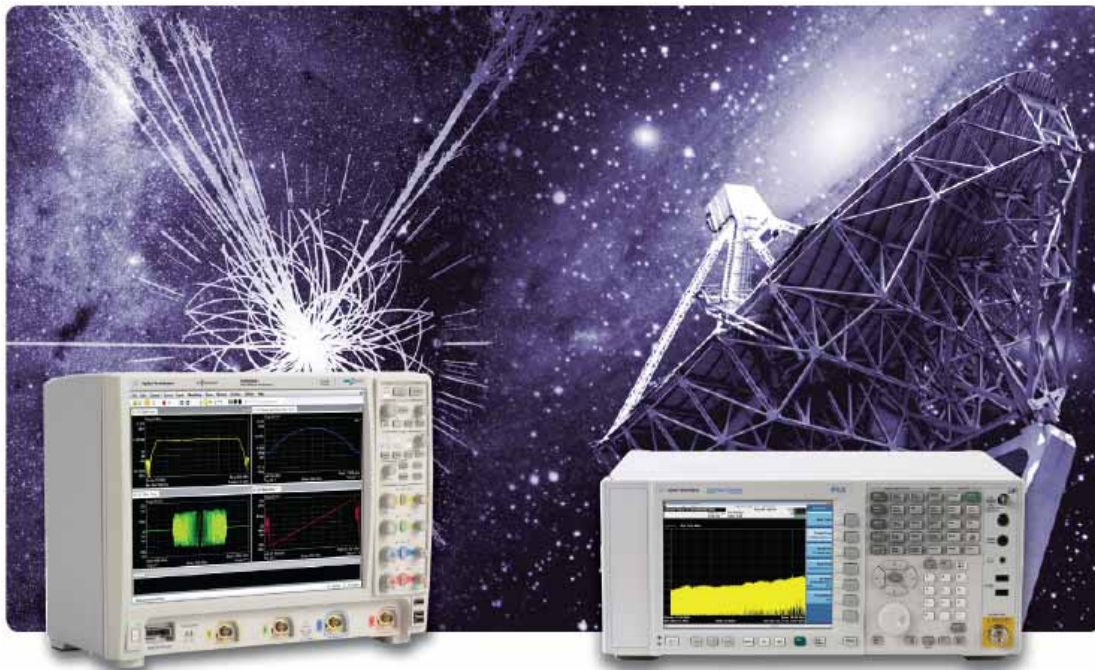


Installation and User's Guide

Agilent N9070A Wideband Signal Analysis Solution

Version 1.0



Part Number N9070-90001
Printed in USA May 27, 2014

Notice.

The information contained in this document is subject to change without notice.

Agilent Technologies makes no warranty of any kind with regard to this material, including but not limited to, the implied warranties of merchantability and fitness for a particular purpose. Agilent Technologies shall not be liable for errors contained herein or for incidental or consequential damages in connection with the furnishing, performance, or use of this material.

N9070A Wideband Signal Analysis Solution Installation and User's Guide

Contents

1.0 Overview

2.0 System Requirements

2.1 Hardware

2.2 Software/Firmware

3.0 N9070A Operation

3.1 Obtain the Wideband Downconverter Control (WBDC) Utility

3.2 Making a Measurement

3.3 Band Edges and Other Precautions

4.0 N9070A Corrections

4.1 N9030A PXA Corrections

4.2 What is Not Corrected

4.3 User Corrections

1.0 Overview

The N9070A Wideband Signal Analysis solution combines the powerful 89601B VSA software with a wide bandwidth acquisition oscilloscope (DSO9204H) and a N9030A PXA Signal Analyzer to provide up to 50 GHz of frequency coverage and up to 1.1 GHz of analysis bandwidth for wide bandwidth signal analysis measurements. The N9070A hardware is controlled by the 89601B VSA Software and within the wideband downconverter control (WBDC) utility; you can control the N9030A PXA Signal Analyzer.

The N9070A solution further provides magnitude and phase flatness corrections so that the combined system performance is improved versus using the instruments individually.

2.0 System Requirements

2.1 Hardware

The N9070A hardware is broken up into two instruments.

1. Wideband Downconverter – N9030A PXA Signal Analyzer

Required Options: MPB – Microwave Preselector Bypass

CR3 – Wideband IF Output

The N9030A performs an RF to IF frequency down-conversion function, thus the N9070A operates the PXA as a system downconverter for frequency coverage up to 50GHz.

2. Acquisition Digitizer – DSO9204H Infiniium Series Oscilloscope

NOTE

The DSO9204H is currently included in the N9070A system bundle but any valid 89601B VSA hardware device may be utilized to provide the acquisition of the IF signal. Other oscilloscope or digitizer modules are also compatible and will work with the utility and VSA software. For further information on other VSA hardware devices go to: http://www.agilent.com/find/89600_hardware.

Hardware Connections

To configure the hardware setup, simply connect an RF cable between the N9030A Aux IF output on the rear panel (SMA) to the Channel 1 input of the oscilloscope (Figure 1). This cable will route the 300-400MHz IF signal between the N9030A and the oscilloscope.

LAN – both instruments must be installed on a common Local Area Network (LAN). This can be accomplished using a LAN crossover cable, hub, switch, or adding both devices to your current network. Configuration of the network is identical to that of a standard PC(s) as both instruments are Windows platforms. RF signals to be measured are then applied to the N9030A RF Input.

Figure 1 Hardware connections

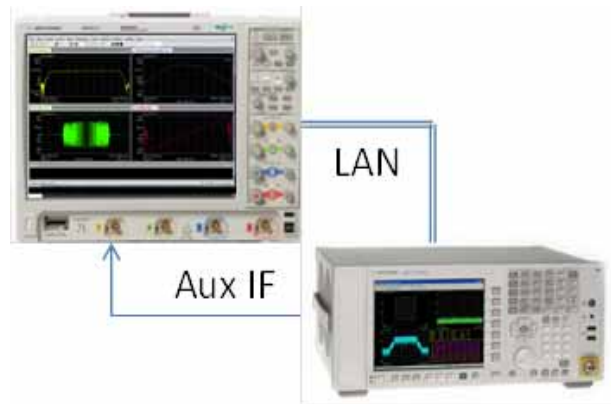


Figure 2 Minimum hardware requirements

N9070A-001	Options	Description
PXA N9030A	MUST: 508/513/526/544/550	Frequency range
	MUST: CR3	Wideband IF output
	MUST: MPB	Microwave preselector bypass
DSO9204H	None	Infiniium high definition oscilloscope 2 GHz, 10 Gsa/s, 4-channel
VSA 89601B	200/300/AYA	Vector Signal Analysis software

2.2 Software/Firmware

N9030A Minimum Firmware: A.14.04 or later

89601B VSA Software Version: 18.00 or later

Wideband downconverter control (WBDC) utility Version 1.0 or later

3.0 N9070A Operation

The 89601B VSA software is the controlling software for the N9070A bundled solution. Information on operation of the VSA can be found at <http://www.agilent.com/find/vsa>. A VSA-compatible control utility is also included to interface the VSA software with the N9030A wideband IF output.

3.1 Obtain the Wideband Downconverter Control (WBDC) Utility

To start using the WBDC utility for N9070A wideband signal analyzer, please follow the following instructions.

1. Visit the Agilent.com web page.
<http://www.agilent.com/find/89601B> or <http://www.agilent.com/find/n9070a>
2. Move to Technical Support
3. Select “Driver, Firmware, & Software” tab

NOTE If you install (or have installed) the utility and want to re-install or upgrade to a newer version, please delete old files before installing the new version.

4. Click WBDC Utility
5. Click on the Download button
6. Choose to save the zip file to your PC in default download folder or C:\Temp folder.
7. Click on Save
8. Unzip the file to save the entire WBDC_UTILITY folder to your favorite folder to use with 89600 VSA.

Recommendation: C:\Program Files\Agilent\89600 Software 18.0\89600 VSA Software\Examples

You can also save a shortcut of the executable file, WBDC_UTILITY.exe to your desktop if you like.

3.2 Making a Measurement

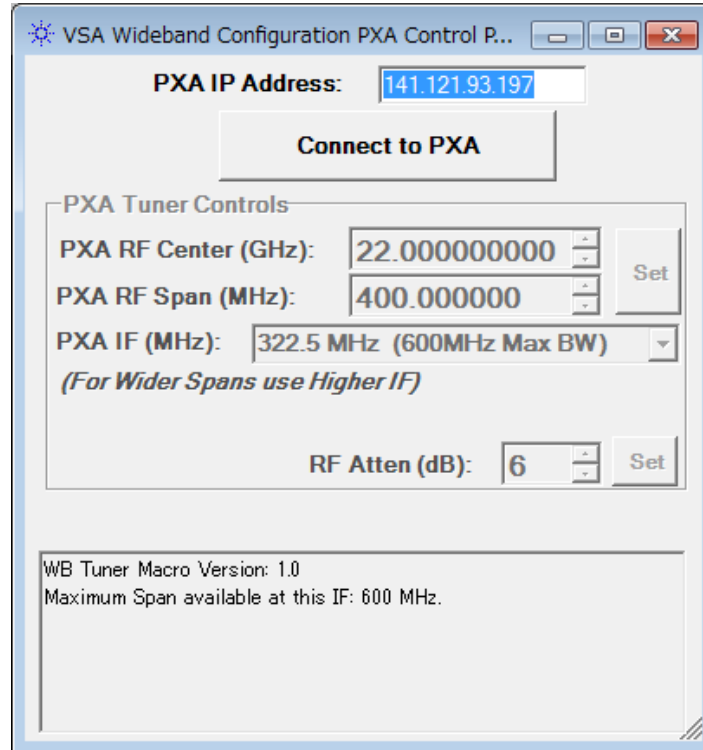
To make a measurement using the N9070A setup, begin by launching the 89600 VSA software.

- Start 89600 VSA software on your PC or PC-based instrument
- Open a folder directly under 89600 VSA menu as **Help > Examples**
- Find WBDC_UTILITY folder and run the executable file, WBDC_UTILITY.exe.

NOTE The utility is designed to always be available. All control of the N9030A PXA signal analyzer is accomplished through this utility. The user shouldn't typically need to make any controls from the N9030A front panel.

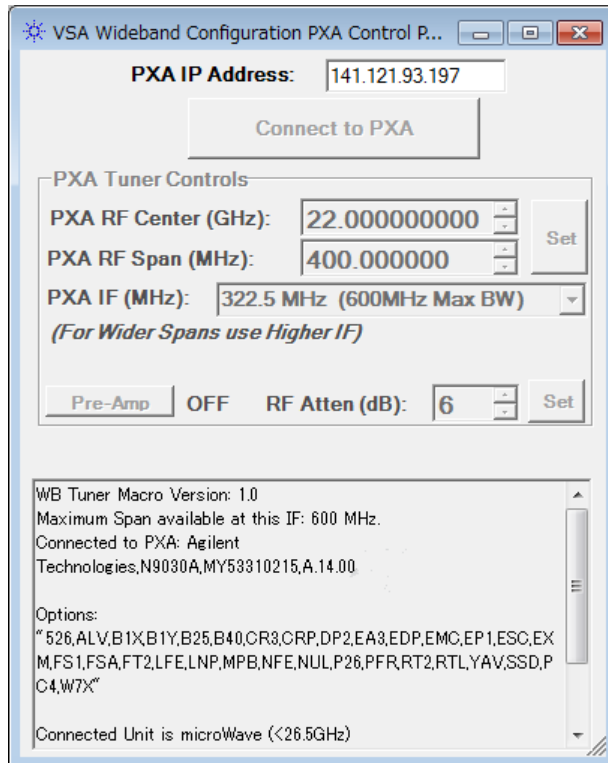
When the WBDC utility runs, the user will see a Graphical User Interface (GUI) panel as shown in Figure 3:

Figure 3 WBDC Utility at start-up



Begin by entering in the IP address of the N9030A PXA in the top entry field and click the Connect to PXA button. The software will then attempt to make a connection to the N9030A. If the connection succeeds, the remaining controls will be enabled and you will be able to see the status of the connection in the log window at the bottom of the GUI. The Figure 4 shows what the GUI looks like immediately upon connection to the analyzer.

Figure 4 WBDC utility after connecting to PXA



IMPORTANT All frequency controls including Center Frequency, Span, and IF are only to be controlled using this utility GUI. When the user makes a change to the utility, it will adjust the N9030A as well as the VSA software frequency controls to appropriate values based on the user's settings into the utility.

CAUTION **DO NOT** set the frequency using the N9030A or the VSA software directly. Use the utility. Also, do not close the utility after frequency, IF and span has been selected (minimizing is OK).

All other controls for the measurement are to be accomplished using the VSA software directly.

- a. Control the frequency parameters (RF Center, RF Span, IF Center frequency selection using the utility GUI.
- b. For Center and Span changes, make the appropriate entry into the GUI numeric control and remember to click the Set button to apply the changes.
- c. Selecting the IF of the PXA is done via a drop-down menu selection. By default, the utility will choose the default IF of 322.5MHz for the PXA. To obtain wider N9070A spans, however, higher IF frequency selections are necessary.

Available Bandwidths Based on IF Selection:

The PXA IF selection lists four possible choices for the IF of the setup.

322.5 MHz (600MHz Max BW)

400 MHz (760MHz Max BW)

500 MHz (960MHz Max BW)

600 MHz (1160MHz Max BW)

The higher the IF setting, the wider the maximum bandwidth will be. For example, we can only achieve a 600MHz maximum frequency span using the 322.5MHz IF setting while a 1.16 GHz bandwidth is available when the IF is set to 600MHz.

Refer to section 3.3 [Band Edges and Other Precautions](#) below for an explanation of the bandwidth performance based on the various band edge points within the N9030A PXA.

The user may also adjust the RF attenuator and enable/disable the optional RF Pre-amplifier in the N9030A from the control utility. It will be up to the user to verify the proper RF attenuator level is set based on the incoming signal power. Refer to the N9030A data sheet for information on mixer input levels to prevent compressing the N9030A input mixer.

The utility and VSA are configuring the N9030A PXA to operate as a down-converter. The utility also configures the VSA with the appropriate frequency parameters to account for the frequency offset of RF to IF so that the VSA frequency readouts match the desired frequency tuning range.

All other N9070A controls are performed using the VSA software directly; only frequency controls are handled through the utility menus.

3.3 Band Edges and Other Precautions

The table below outlines the different frequency bands within the N9030A PXA. Band 0 for any PXA analyzer covers 3Hz to 3.6 GHz

NOTE Band 0 can NOT be routed to the Auxiliary IF output, thus signals below 3.5 GHz need to be analyzed and routed directly to the oscilloscope. The N9070A covers 3.5 GHz to the top frequency range of the unit.

Figure 5 PXA frequency bands

Band	LO multiple (N)	
0	1	3 Hz to 3.6 GHz
1	1	3.5 to 8.4 GHz
2	2	8.3 to 13.6 GHz
3	2	13.5 to 17.1 GHz
4	4	17 to 26.5 GHz
5	4	26.4 to 34.5 GHz
6	8	34.4 to 50 GHz

The available span for a measurement is dependent on how close to a band edge the measurement is being made. For example, if you wished to make a measurement at 3.7 GHz, you can refer to the table above and note that you would be using Band 1 for this measurement. The low frequency end of band 1 is 3.5 GHz thus your measurement span is limited to 2x the difference between the center frequency and the band edge. In this example, the Center Frequency is 3.7 GHz and the band edge is 3.5 GHz for a difference of 200MHz. Thus, the maximum possible span in this case is 400 MHz.

Since the N9070A is capable of making measurements >1.1GHz wide, it is important to note how close you are operating to the band edge to see if this is limiting the frequency span for your measurement. The N9070A can NOT cross spans within a single measurement configuration thus you have this span limitation near the band edges.

The control utility will configure things automatically and adjust the span appropriately as you near the band edge, thus when you see the bandwidth being restricted on the utility log, it means you are nearing a band edge.

Absolute Power Measurements: The corrections referred to in the next section are span flatness corrections designed to provide as flat of a frequency response as possible given the kind of corrections we are utilizing. These corrections, however, do NOT account for the conversion loss through the N9030A when operating as a down-converter. Therefore, the user would need to note the loss through a given configuration and adjust any absolute power measurements based on this conversion loss factor.

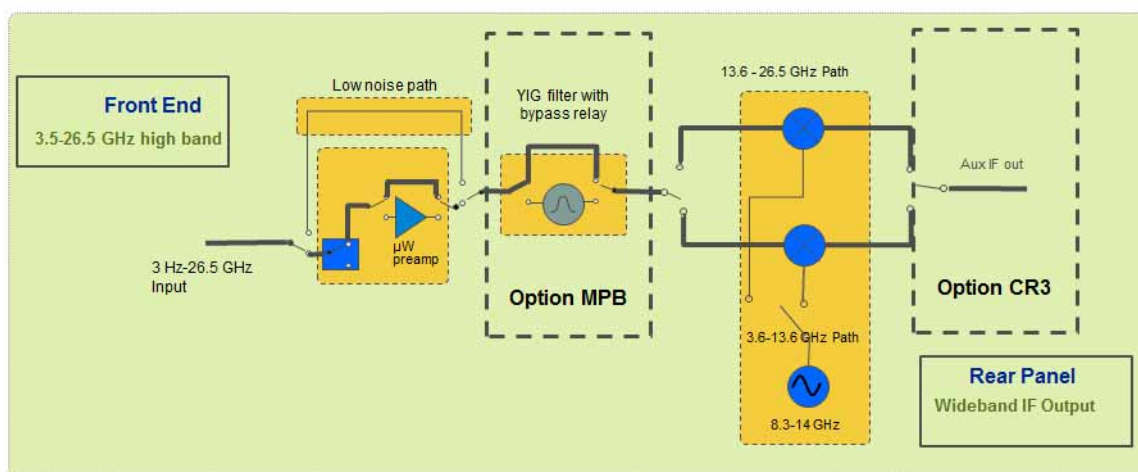
4.0 N9070A Corrections

To provide improved measurement capability beyond just connecting instruments together, a set of correction capability was incorporated to the N9070A Wideband Downconverter Control Utility. These corrections are designed to improve the magnitude and phase response of measurements made using this multi-box configuration.

4.1 N9030A PXA Corrections

Corrections are performed to support wideband configurations of the PXA. There are a set of RF and IF corrections that are available to correct and flatten the frequency response (magnitude and phase) of the PXA or downconverter.

Figure 6 Microwave preselector bypass of PXA signal analyzer



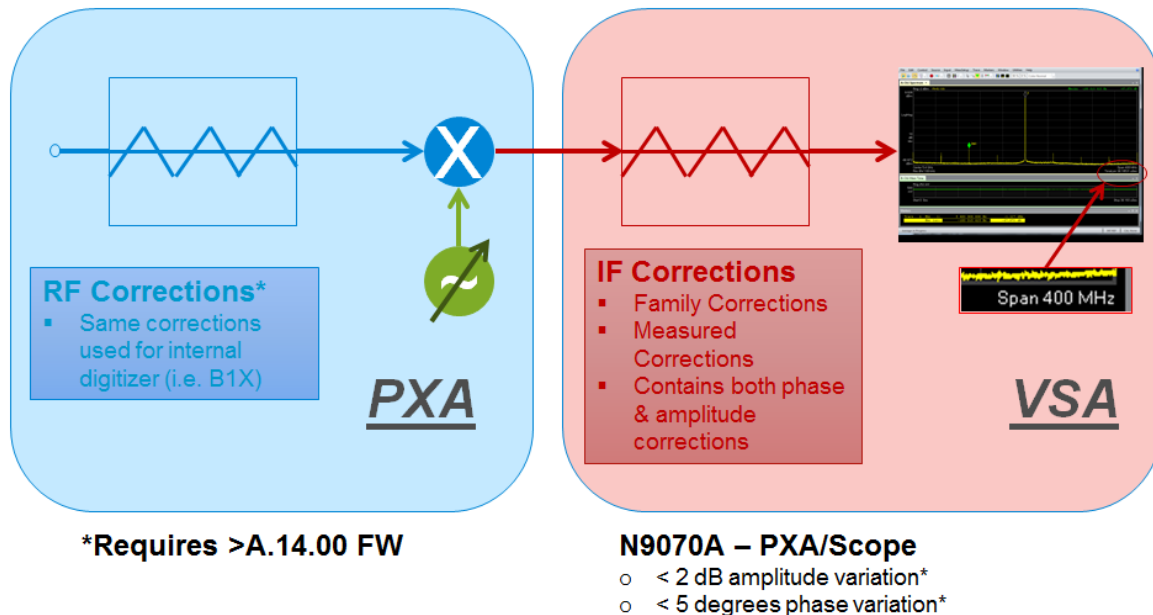
The other necessary N9030A PXA option is MPB which allows the microwave pre-selector to be bypassed. This allows us to achieve our > 1.1 GHz bandwidth performance and helps provide a flat frequency response when utilized in the N9070A configuration.

The N9070A uses an Auto Calibration approach whereby RF correction factors are read out of the N9030A PXA unit used as a downconverter. These RF correction factors are magnitude only correction factors and are specific to any N9030A you use in your configuration. The utility automatically reads out the correction factors based on your setup through the LAN connection. At the larger bandwidths, these factors can prove to be less effective due to some higher order effects that is manifested using an RF/IF correction technique. This effect is corrected for inside the instrument but has not been addressed yet in the N9070A. Please attempt to deselect the RF measurements in the VSA software by clicking the Input menu and choose -> User corrections and (de)selecting the RF corrections. Toggling this parameter off and on to determine if your particular set-up is being affected by this behavior.

Figure 7 Auto calibration in N9070A wideband signal analyzer

A New Approach: "Auto" Calibration

The new N9070A currently utilizes **2** sets of corrections (NOTHING else)



The N9070A also uses a set of “family” based IF corrections which are both magnitude and phase corrections of the IF section of the N9030A. These are not based on an individual N9030A unit but rather are based on a sample of measured units with a set of common IF magnitude and phase factors that are automatically applied by the control utility for the given setup.

The correction scheme of the N9070A is engineered to provide calibration improvement, ease of use, and flexibility. The anticipated performance for the N9070A setup is <2 dB of amplitude variation and < 5 degrees of phase variation (band 1, 400 MHz BW).

4.2 What is Not Corrected

- Conversion loss through the N9030A PXA unit is not accounted for in the N9070A correction factors. Only RF flatness corrections are implemented with the WBDC utility
- Correction factors for the oscilloscope itself. The oscilloscope is a calibrated instrument on its own. Refer to the Infiniium data sheet for performance specifications for the oscilloscope.

Cautions and Reminders:

The N9070A solution has the following things that should certainly be considered before operation:

- Temperature – no temperature compensation is implemented at the system level of the N9070A. Performance may drift with temperature.
- Breadth of product families – While the N9070A bundle uses an average calibration taken from measurement of multiple instrument for the IF correction data, please consult the technical overview for a review of expected deviation between this and other analyzers (see section 4.3 [User Corrections](#)).

- Connections – The N9070A has corrections for the analyzer only, no connections between oscilloscope or analyzer or additional corrections for the oscilloscope. Cabling and connectors can obviously have an effect on the quality of the measurement.
- Varied Calibration Corrections - RF section doesn't have phase corrections (magnitude only). IF corrections correct for both magnitude and phase.
- Absolute amplitude accuracy – Conversion loss through the N9030A isn't accounted for in the utility.
- Gain and Attenuation changes will change the absolute power measured on the VSA result.
- Other platforms - Higher end digitizers/scopes can provide better results, feel free to use any other digitizers that the VSA software supports but please be aware that Agilent has not characterized performance using other digitizers.
- Low Frequency Measurements - Signals below 3.6 GHz will need to be measured directly by the oscilloscope.

4.3 User Corrections

Section [4.1 N9030A PXA Corrections](#) outlines the correction methodology of the N9070A WBDC utility setup. A compromise was made to achieve good calibration performance without requiring an external source for more detailed calibration. Thus, an out-of-the-box without requiring additional calibrations was the goal. This approach, however, could be improved utilizing a user calibration.

At a high level, there are varied approaches to achieve a higher level user characterization or calibration of this setup. Essentially the basic approach would be to connect a calibrated stimulus into the front end of the system and then measurement factors could be measured and accounted for. The techniques are varied and are outside of the scope of this document. Contact Agilent Technologies for questions related to user calibration.

