

# Keysight Technologies

This manual provides documentation for the following  
Analyzers:

N9010A EXA

Functional  
Tests

# Notices

© Keysight Technologies, Inc.  
2006-2015

No part of this manual may be reproduced in any form or by any means (including electronic storage and retrieval or translation into a foreign language) without prior agreement and written consent from Keysight Technologies, Inc. as governed by United States and international copyright laws.

## Trademark Acknowledgments

## Manual Part Number

N9010-90013

## Print Date

January 2015

Published in USA

Keysight Technologies  
1400 Fountaingrove Parkway  
Santa Rosa, CA 95403

## Warranty

THE MATERIAL CONTAINED IN THIS DOCUMENT IS PROVIDED "AS IS," AND IS SUBJECT TO BEING CHANGED, WITHOUT NOTICE, IN FUTURE EDITIONS. FURTHER, TO THE MAXIMUM EXTENT PERMITTED BY APPLICABLE LAW, KEYSIGHT DISCLAIMS ALL WARRANTIES, EITHER EXPRESS OR IMPLIED WITH REGARD TO THIS MANUAL AND ANY INFORMATION CONTAINED HEREIN, INCLUDING BUT NOT LIMITED TO THE IMPLIED WARRANTIES OF MERCHANTABILITY AND FITNESS FOR A PARTICULAR PURPOSE. KEYSIGHT SHALL NOT BE LIABLE FOR ERRORS OR FOR INCIDENTAL OR CONSEQUENTIAL DAMAGES IN CONNECTION WITH THE FURNISHING, USE, OR PERFORMANCE OF THIS DOCUMENT OR ANY INFORMATION CONTAINED HEREIN. SHOULD KEYSIGHT AND THE USER HAVE A SEPARATE WRITTEN AGREEMENT WITH WARRANTY TERMS COVERING THE MATERIAL IN THIS DOCUMENT THAT CONFLICT WITH THESE TERMS, THE WARRANTY TERMS IN THE SEPARATE AGREEMENT WILL CONTROL.

## Technology Licenses

The hardware and/or software described in this document are furnished under a license and may be used or copied only in accordance with the terms of such license.

## Restricted Rights Legend

If software is for use in the performance of a U.S. Government prime contract or subcontract, Software is delivered and licensed as "Commercial computer software" as defined in DFAR 252.227-7014 (June

1995), or as a "commercial item" as defined in FAR 2.101(a) or as "Restricted computer software" as defined in FAR 52.227-19 (June 1987) or any equivalent agency regulation or contract clause. Use, duplication or disclosure of Software is subject to Keysight Technologies' standard commercial license terms, and non-DOD Departments and Agencies of the U.S. Government will receive no greater than Restricted Rights as defined in FAR 52.227-19(c)(1-2) (June 1987). U.S. Government users will receive no greater than Limited Rights as defined in FAR 52.227-14 (June 1987) or DFAR 252.227-7015 (b)(2) (November 1995), as applicable in any technical data.

## Safety Notices

### CAUTION

A **CAUTION** notice denotes a hazard. It calls attention to an operating procedure, practice, or the like that, if not correctly performed or adhered to, could result in damage to the product or loss of important data. Do not proceed beyond a CAUTION notice until the indicated conditions are fully understood and met.

### WARNING

A **WARNING** notice denotes a hazard. It calls attention to an operating procedure, practice, or the like that, if not correctly performed or adhered to, could result in personal injury or death. Do not proceed beyond a WARNING notice until the indicated conditions are fully understood and met.

## Where to Find the Latest Information

Documentation is updated periodically. For the latest information about these products, including instrument software upgrades, application information, and product information, browse to one of the following URLs, according to the name of your product:

<http://www.keysight.com/find/exa>

To receive the latest updates by email, subscribe to Keysight Email Updates at the following URL:

<http://www.keysight.com/find/MyKeysight>

Information on preventing analyzer damage can be found at:

[www.keysight.com/find/PreventingInstrumentRepair](http://www.keysight.com/find/PreventingInstrumentRepair)

## Is your product software up-to-date?

Periodically, Keysight releases software updates to fix known defects and incorporate product enhancements. To search for software updates for your product, go to the Keysight Technical Support website at:

<http://www.keysight.com/find/techsupport>



Table of Contents

<b>1. Functional Tests</b>	
Functional Test Versus Performance Verification . . . . .	8
Contents of this Document . . . . .	9
Before Performing a Functional Test . . . . .	10
Test Equipment . . . . .	11
<b>2. Displayed Average Noise Level (DANL)</b>	
Procedure . . . . .	16
<b>3. Frequency Readout Accuracy</b>	
Procedure . . . . .	21
<b>4. Amplitude Accuracy at 50 MHz</b>	
Procedure . . . . .	25
Testing Preamp Option (P03) . . . . .	27
Procedure . . . . .	27
<b>5. Frequency Response (Flatness)</b>	
Procedure . . . . .	31
<b>6. Frequency Response (Flatness), Preamp On</b>	
Procedure . . . . .	35
<b>7. Scale Fidelity</b>	
Procedure . . . . .	39



## 1 Functional Tests

Functional tests are tests of various instrument parameters that give a high degree of confidence that the analyzer is operating correctly. They are recommended as a check of analyzer operation for incoming inspection or after a repair. Measurement uncertainty analysis is not available for functional tests, and the analyzer is checked against limits that are wider than the published specifications. The functional tests are designed to test an analyzer operating within the temperature range defined by the analyzer specifications using a minimum set of test equipment. If a test does not pass, performance verification tests must be run to determine whether a problem exists.

## Functional Test Versus Performance Verification

Functional tests use a minimum set of test equipment to check a much smaller range of parameters (and a limited number of data points for each parameter) than do performance verification tests. Functional tests use limits that are wider than the published specifications; measurement uncertainty analysis is **not** available for functional tests.

**NOTE** If a functional test does not pass, you must run performance verification tests to determine whether a problem exists.

---

Performance verification tests span a wide range of instrument parameters and provide the highest level of confidence that the instrument conforms to published specifications. These tests can be time consuming and require extensive test equipment.



## Contents of this Document

This chapter includes the following:

- “**Before Performing a Functional Test**” on page 10 (what to do first).
- “**Test Equipment**” on page 11 (a list of the equipment required for **all** of the tests).

Subsequent chapters describe the following Functional Tests:

- “**Displayed Average Noise Level (DANL)**” on page 15
- “**Frequency Readout Accuracy**” on page 19
- “**Amplitude Accuracy at 50 MHz**” on page 23
- “**Amplitude Accuracy at 50 MHz**” on page 23
- “**Frequency Response (Flatness)**” on page 29
- “**Frequency Response (Flatness), Preamp On**” on page 33
- “**Scale Fidelity**” on page 37

Each functional test includes:

- Test limits (pass/fail criteria)
- A description of the test
- The equipment required for the test
- A figure showing how to connect the equipment
- Step-by-step instructions
- One or more tables in which to record the measurement results

## Before Performing a Functional Test

1. Ensure that you have the proper test equipment.
2. Switch on the unit under test (UUT) and let it warm up (in accordance with warm-up requirements in the instrument specifications).
3. Allow sufficient warm-up time for the required test equipment (refer to individual instrument documentation for warm-up specifications).
4. Ensure that the analyzer's frequency reference is set to Internal:
  - a. Press the **Input/Output**, **More**, **Freq Ref In** keys.
  - b. If the **Freq Ref In** softkey does **not** show Internal, press the **Freq Ref In** softkey and select Internal.
5. Following instrument warm-up, perform the auto align routine:  
Press **System**, **Alignments**, **Align Now**, **All**.

### NOTE

Functional test accuracy depends on the precision of the test equipment used. Ensure that all of the test equipment is calibrated before running a functional test.

---

## Test Equipment

The table below summarizes the test equipment needed to perform all of the functional tests. Alternate equipment model numbers are given in case the recommended equipment is not available. If neither the recommended nor the alternative test equipment are available, substitute equipment that meets or exceeds the critical specifications listed.

Analyzer Option	Item	Critical Specifications	Recommended Keysight Model	Alternate Keysight Model
<b>Adapters</b>				
All	3.5 mm (f) to 3.5mm (f) (connector saver for source)	Frequency: 10 MHz to 26.5 GHz VSWR: < 1.1:1	83059B	1250-1749
All	BNC (f) to SMA (m)	Frequency: 40 MHz	1250-1200	
All	Type N (f) to Type N (f)	Frequency: 10 MHz to 18 GHz VSWR: < 1.05:1	1250-1472	1250-0777
All	Type N (m) to 3.5 mm (m)	Frequency: 10 MHz to 18 GHz VSWR: < 1.1:1	1250-1743	
All	Type N (m) to 3.5 mm (f)	Frequency: 10 MHz to 18 GHz VSWR: < 1.1:1	1250-1744	
All	Type N (f) to 3.5 mm (f)	Frequency: 10 MHz to 18 GHz VSWR: < 1.1:1	1250-1745	
All	Type N (m) to BNC (f)	Frequency: 10 MHz to 1 GHz VSWR: < 1.05:1	1250-1476	
<b>Attenuators</b>				
All	10 dB Step Attenuator	Frequency: 50 MHz <b>Range:</b> 0 to 70 dB	8495A	8496A
All	10 dB Fixed Attenuator (2 required)	Frequency: 50 MHz VSWR: < 1.2:1	8493C Option 010	8493A Option 010 or 8493B Option 010
Pxx	30 dB Fixed Attenuator	<b>Accuracy:</b> < 0.05 dB @ 50 MHz	11708A	
<b>Cables</b>				
All	3.5 mm (1 meter)	Frequency: 10 MHz to 26.5 GHz VSWR: < 1.4:1 Loss: < 2.0 dB	11500E	8120-4921
All	Cable, BNC (3 required)	120 cm (48 in.) BNC cable	10503A	

Functional Tests  
Test Equipment

Analyzer Option	Item	Critical Specifications	Recommended Keysight Model	Alternate Keysight Model
BBA	Cable, BNC	120 cm (48 in.) BNC cable Flatness (250 kHz to 40 MHz) < 0.5 dB	10503A	
BBA	Cable, BNC	BNC male 23 cm (9 in) max	10502A	
<b>Signal Source</b>				
All	Synthesized Sweeper	<b>Frequency:</b> 10 MHz to 26.5 GHz <b>Harmonic level:</b> < -40 dBc <b>Amplitude range:</b> 10 to -20 dBm <b>Frequency Accuracy:</b> 0.02%	PSG <sup>a</sup>	83630B, 83640B, 83650B
BBA	Signal Generator	<b>Frequency:</b> 250 kHz to 40 MHz Amplitude: ~-10 dBm Flatness: < ±0.75 dB	E4438C	33250A
<b>Power Meter</b>				
All	Power Meter	<b>Power Reference Accuracy:</b> ±1.2% Compatible with power sensor	E4418B	E4419B
All	Power Sensor	<b>Frequency Range:</b> 50 MHz to 3.66 GHz <b>Amplitude Range:</b> -70 to -10 dBm	8481D	8487D 8485D
P03	Low Power Sensor	<b>Frequency Range:</b> 50 MHz to 3.6 GHz Amplitude Range: -70 to -10 dBm	8481D	8485D 8487D
Pxx other than P03	Low Power Sensor	<b>Frequency Range:</b> 50 MHz to 26.5 GHz Amplitude Range: -70 to -10 dBm	8485D	8487D
<b>Oscilloscope</b>				
All	Keysight Infiniium Oscilloscope	<b>Cutoff Frequency:</b> 50 MHz <b>Rejection at 65 MHz:</b> > 40 dB <b>Rejection at 75 MHz:</b> > 60 dB <b>Rejection at 80 MHz:</b> > 60 dB <b>Frequency:</b> 10 MHz to 26.5 GHz	54800B	
<b>Miscellaneous Equipment</b>				
All	Filter, 50 MHz Low Pass	<b>Cutoff Frequency:</b> 50 MHz <b>Rejection at 65 MHz:</b> > 40 dB <b>Rejection at 75 MHz:</b> > 60 dB <b>Rejection at 80 MHz:</b> > 60 dB <b>Frequency:</b> 10 MHz to 26.5 GHz	0955-0306	
526	Power Splitter, 3.5 mm	<b>Nominal Insertion Loss:</b> 6 dB <b>Tracking Between Ports:</b> < 0.25 dB	11667B	

Functional Tests  
Test Equipment

Analyzer Option	Item	Critical Specifications	Recommended Keysight Model	Alternate Keysight Model
503, 507, 513	Power Splitter	<b>Nominal Insertion Loss:</b> 6 dB <b>Tracking Between Ports:</b> < 0.25 dB	11667A	11667B
All	Termination, 50Ω	Type N (m) Connector <b>Frequency:</b> 30 Hz to 26.5 GHz	909A Option 012	
BBA	Termination, 50Ω	BNC male <b>Frequency:</b> 250 kHz to 40 MHz	11593A	

- a. PSG model numbers: E8244A, E8254A, E8247C Option 520, E8247C Option H31 or 540, E8257D Option 520, E8257D Option 550, E8257D Option 567, E8267D Option 544.

Functional Tests  
Test Equipment

## 2 Displayed Average Noise Level (DANL)

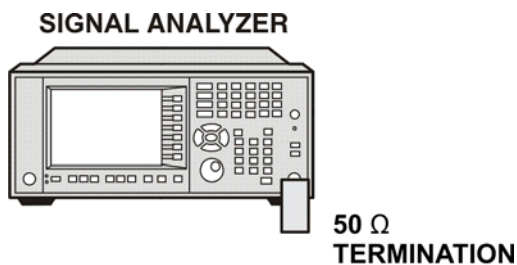
### Test Limits (with 0 dB input attenuation)

See [Table 2-1](#) for values.

The Displayed Average Noise Level (DANL) of the signal analyzer is measured across a 10 kHz frequency span at several center frequencies. The analyzer input is terminated into a 50Ω load. A test is performed to assure the measurement is not performed in the presence of a residual response. The measurement is then averaged, and the result is normalized to a 1 Hz bandwidth.

Item	Critical Specifications (for this test)	Recommended Keysight Model
Termination, 50Ω Type-N(m)	Frequency: DC to 18 GHz	909A Option 012

Figure 2-1 DANL Test Setup



Mxa\_ee82a

## Procedure

1. Configure the equipment as shown in [Figure 2-1](#)
2. Press **Mode, Spectrum Analyzer, Mode Preset** on the analyzer.
3. Set up the signal analyzer by pressing:
  - FREQ Channel, Center Freq, 10, MHz**
  - Input/Output, RF Input, RF Coupling, select DC**
  - SPAN X Scale, Span, 10, kHz**
  - AMPTD Y Scale, -70, dBm**
  - AMPTD Y Scale, Attenuation, Mech Atten, 0, dB**
  - BW, Res BW, 1, kHz**
  - BW, Video BW, 100, Hz**
  - Meas Setup, Average/Hold, Number, 20, Enter**
  - Trace/Detector, Trace Average**
  - Single**
4. Press **Restart**, then wait for Average/Hold to display 20/20.
5. Press **View/Display, Display**, then press **Display Line, On**.
6. Rotate the knob and set the display line at the average amplitude of the displayed noise floor by visual inspection.
7. Confirm that the measurement is performed on the analyzer noise floor and not on a residual response within the displayed 10 kHz span.

**NOTE** Ignore the residual response if one appears when taking the measurement.

---

8. Enter the value of the display line as the Measured Average Noise Level at 10 MHz column in [Table 2-1](#).
9. Normalize the measured value to a 1 Hz BW by adding 30 dB to the measured value.

**NOTE** The 30 dB value is added because the formula used to calculate the value of the noise power in a 1 Hz BW when measured with a 1 kHz BW is:

Normalized Noise = 10 Log (BW 2/BW 1) where BW 2 is the 1 kHz BW we measure and BW 1 is 1 Hz BW to which we want to normalize.

Therefore, 10 Log (1000) = 30 dB, so the noise floor will be 30 dB lower in a 1 Hz BW.

---

10. Enter the normalized value of the displayed average noise level in [Table 2-1](#).



Displayed Average Noise Level (DANL)  
Procedure

11. The value of the normalized displayed average noise should be less than the specification value.
12. Change the analyzer center frequency to the next value listed in **Table 2-1**. Press: **FREQ Channel, Center Freq, [Table 2-1 Value], GHz**
13. Repeat **step 7** through **step 12** to fill in the remainder of **Table 2-1** for your analyzer frequency range.

Table 2-1 Displayed Average Noise Level (DANL) Results

Center Frequency	Measured Average Noise Level (dBm)	Normalized Average Noise Level/(1 Hz BW) (dBm)	Test Limits (dBm)
10 MHz			-145
2 GHz			-145
6 GHz			-143
13 GHz			-142
20 GHz			-136
26.5 GHz			-133

Displayed Average Noise Level (DANL)  
Procedure

### 3 Frequency Readout Accuracy

#### Test Limits

Frequency Readout Accuracy is equivalent to the following equation:

$$\pm(0.25\% \times \textit{span} + 5\% \times \textit{RBW} + 2 \textit{ Hz} + 0.5 \times \textit{horizontal resolution})$$

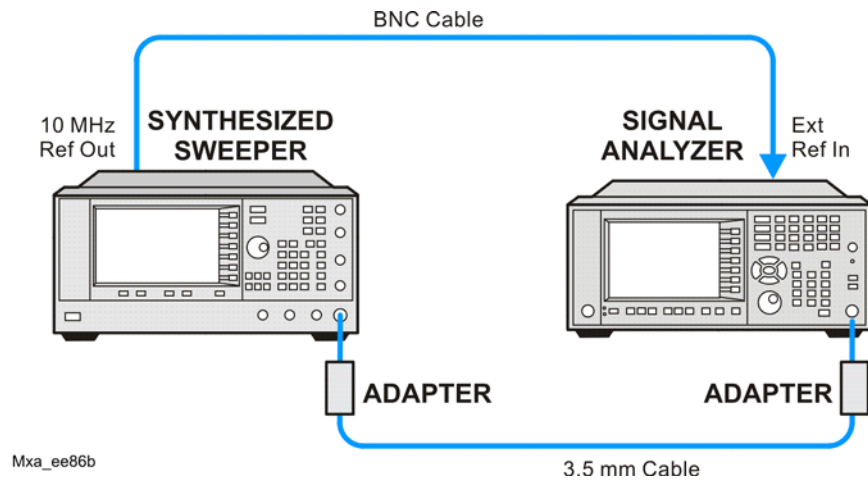
See results table for actual values.

The frequency readout accuracy is measured in several spans and center frequencies that allow both internal analyzer synthesizer modes and prefilter bandwidths to be tested. Frequency reference error is eliminated by using the same frequency standard for the analyzer and signal source.

Item	Critical Specification (for this test)	Recommended Keysight Model
Adapter, Type-N(m), to 3.5 mm(f)	Frequency: 10 MHz to 1.51 GHz VSWR: < 1.1:1	1250-1744
Adapter, 3.5 mm(f) to 3.5 mm(f)	Frequency: 10 MHz to 1.51 GHz VSWR: < 1.1:1	83059B
Cable, 3.5 mm, 1 meter	Frequency: 10 MHz to 1.51 GHz VSWR: < 1.4:1	11500E
Cable, BNC, 120 cm	Frequency: 10 MHz	10503A
Synthesized Sweeper	<b>Frequency:</b> 10 MHz to 1.51 GHz	PSG

Figure 3-1

Frequency Readout Accuracy Test Setup



## Procedure

1. Configure the equipment as shown in **Figure 3-1**. Confirm the analyzer's built-in auto alignment has been performed within the past 24 hours.

2. On the synthesized sweeper, press **PRESET**, then set the controls as follows:

**FREQUENCY, 1505, MHz**  
**POWER LEVEL, -10, dBm**

3. Set up the signal analyzer by pressing:

**Mode, Spectrum Analyzer**  
**Mode Preset**  
**Input/Output, More, Freq Ref In, External**  
**FREQ Channel, Center Freq, 1505, MHz**  
**SPAN X Scale, Span, 2990, MHz**  
**Trace/Detector, More, Detector, Sample**  
**Single**

4. Press **Restart**.

Press **Peak Search** on the analyzer. If the instrument is functioning correctly, the marker reading in the active function block will be between the values listed in **Table 3-1**. Record the marker value in the Marker Frequency Readout column in **Table 3-1**.

5. On the signal analyzer, change the span and center frequency as listed in **Table 3-1**.

6. Change the synthesized sweeper frequency to match the center frequency of the analyzer.

7. Repeat **step 4** through **step 6** until the Marker Frequency Readout column of **Table 3-1** is complete.

Table 3-1 Frequency Readout Accuracy Results

Span (MHz)	Center Frequency (MHz)	Minimum	Marker Frequency Readout	Maximum
2990	1505	1495.9 MHz		1514.1 MHz
127.2	1505	1504.56 MHz		1505.44 MHz
54.1	1505	1504.8122 MHz		1505.1878 MHz
7.95	1505	1504.97240 MHz		1505.0276 MHz
0.106	1505	1504.999630 MHz		1505.000370 MHz
1.98	517.59	517.58316 MHz		517.59684 MHz
1.98	832.50	832.49316 MHz		832.50684 MHz

Frequency Readout Accuracy  
Procedure

## 4 Amplitude Accuracy at 50 MHz

### Test Limits

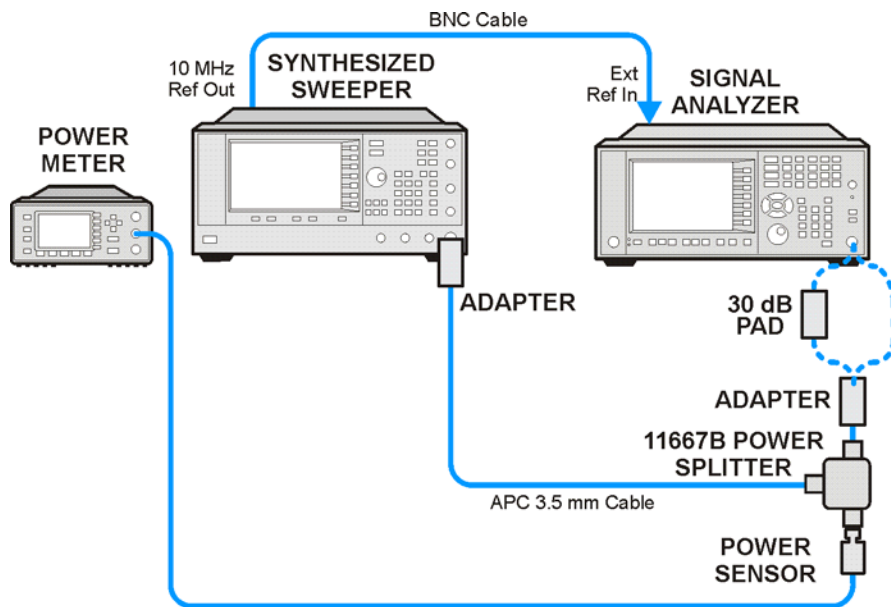
Amplitude Accuracy should remain within  $\pm 1.20$  dB of the measured source value across the range of source levels and changes in resolution bandwidth. The Preamp (option P03) should remain within  $\pm 1.3$  dB of measured values.

A synthesized sweeper is used as the signal source for the test. The source amplitude is varied using the signal source amplitude control. The attenuation and resolution bandwidth are varied on the signal analyzer. The source amplitude is measured by the power meter and signal analyzer at each setting, and the values compared. The difference between each pair of measurements indicates the amplitude accuracy.

Item	Critical Specifications	Recommended Keysight Model
Adapter	Type-N(m), to 3.5 mm(m)	1250-1743
Adapter	3.5 mm(f) to 3.5 mm(f)	83059B
Attenuator, 30 dB	<b>Accuracy:</b> < 0.5 dB at 50 MHz	11708A
Cable	3.5 mm, 1 meter	11500E
Cable	BNC, 120 cm	10503A
Power Meter	Compatible with power sensor	E4418B
Power Sensor	<b>Amplitude Range:</b> -25 dBm to 10 dBm	8485A
Power Splitter	3.5 mm (f) connectors 6 dB loss	11667B
Synthesized Sweeper	<b>Typical Temperature Stability:</b> 0.01 dBc/°C	PSG

Figure 4-1

Amplitude Accuracy Test Setup



mx\_a\_ee181a



## Procedure

1. Zero and calibrate the power meter.
2. Configure equipment as shown in [Figure 4-1](#), with the power splitter connected directly to the signal analyzer input through the adapter.

### CAUTION

To minimize stress on the test equipment connections, support the power sensor.

---

3. If the auto alignment for the analyzer has not been performed within the past 24 hours, press **System, Alignments, Align Now, All** to perform the auto alignment routine.

4. Press **Mode, Spectrum Analyzer, Mode Preset** on the analyzer.

5. Set up the synthesized sweeper by pressing:

**CW, 50, MHz**  
**Power Level, -4, dBm**  
**RF (On)**

6. Set up the signal analyzer by pressing:

**Input/Output, More, Freq Ref In, External**  
**FREQ Channel, Center Freq, 50, MHz**  
**SPAN X Scale, 2, MHz**  
**AMPTD Y Scale, Attenuation, Mech Atten, 10, dB**  
**Input/Output, RF Input, RF Coupling, select DC**  
**Sweep/Control, Sweep Setup, Swp Time Rules, SA - Accuracy**  
**Meas Setup, Average/Hold Number, 20, Enter**  
**Trace/Detector, Trace Average**  
**Single**

7. Perform the following steps for each row listed in [Table 4-1](#):

- a. Set the synthesized sweeper amplitude to the value listed in the Nominal Source Amplitude column in [Table 4-1](#)
- b. Set the Mech Atten as indicated in the Attenuation column in [Table 4-1](#)
- c. Set the Span as listed in the Span column of [Table 4-1](#)
- d. Record the source amplitude, as measured by the power meter, in the Power Meter Amplitude column of [Table 4-1](#)
- e. On the signal analyzer, press **Restart**.
- f. Wait for the signal analyzer to finish averaging.
- g. Press Peak Search.

Amplitude Accuracy at 50 MHz  
Procedure

- h. Record the signal amplitude, as measured by the analyzer in the Measured Amplitude column of **Table 4-1**
- i. Calculate the signal amplitude accuracy error using the following equation, and record the results under the Amplitude Accuracy Error column:

$$\text{Amplitude Accuracy Error} = \text{Meas\_amp} - \text{Power\_meter}$$

Table 4-1 Amplitude Accuracy Results

Nominal Source Amplitude (dBm)	Attenuation (dB)	Span (MHz)	Measured Amplitude Meas_amp (dBm)	Power Meter Amplitude Power_meter (dBm)	Amplitude Accuracy Error (dB)	Test Limit (dB)
-4	10	2				±1.20 dB
-9	10	1				±1.20 dB
-14	10	0.5				±1.20 dB
-4	20	0.1				±1.20 dB
-14	20	0.1				±1.20 dB
-4	30	0.1				±1.20 dB
-14	30	0.1				±1.20 dB

## Testing Preamp Option (P03)

Instruments containing Option P03 must have the preamp function turned on and tested.

### Procedure

1. On the analyzer, press **AMPTD Y Scale, More, Internal Preamp, Low Band**.
2. Connect the equipment as shown in [Figure 4-1 on page 24](#), using a 30 dB Pad between the adaptor and the signal analyzer input.
3. Set the synthesized sweeper amplitude to the value listed in the Nominal Source Amplitude column in [Table 4-2](#)
4. Set the signal analyzer input attenuation to 0 dB.
5. Set the Span as listed in [Table 4-2](#)
6. Record the source amplitude, as measured by the power meter, in the Power Meter Amplitude column of [Table 4-2](#)
7. On the signal analyzer, press **Restart**.
8. Wait for the analyzer to finish averaging.
9. Press **Peak Search**.
10. Record the signal amplitude as measured by the analyzer in the measured amplitude column of [Table 4-2](#)
11. Calculate the signal amplitude accuracy using the following equation:  

$$\text{Amplitude Accuracy Error} = \text{Meas\_amp} + 30 \text{ dB} - \text{Power\_meter}$$
12. Record the results under the Amplitude Accuracy Error column of [Table 4-2](#)

Table 4-2 Amplitude Accuracy Results (Option P03)

Nominal Source Amplitude (dBm)	Low- band Preamp	Res BW (kHz)	Span (kHz)	Measured Amplitude Meas_amp (dBm)	Power Meter Amplitude Power_meter (dBm)	Amplitude Accuracy Error (dB)	Test Limit (dB)
-13	ON	1	106				±1.30 dB

Amplitude Accuracy at 50 MHz  
Testing Preamp Option (P03)

## 5 Frequency Response (Flatness)

### Test Limits

Frequency Range	Limit Relative to 50 MHz
9 kHz to 3.6 GHz	$\pm 1.7$ dB
> 3.6 GHz to 7.0 GHz	$\pm 3.0$ dB
> 7.0 GHz to 13.6 GHz	$\pm 3.5$ dB
> 13.6 GHz to 26.5 GHz	$\pm 4.2$ dB

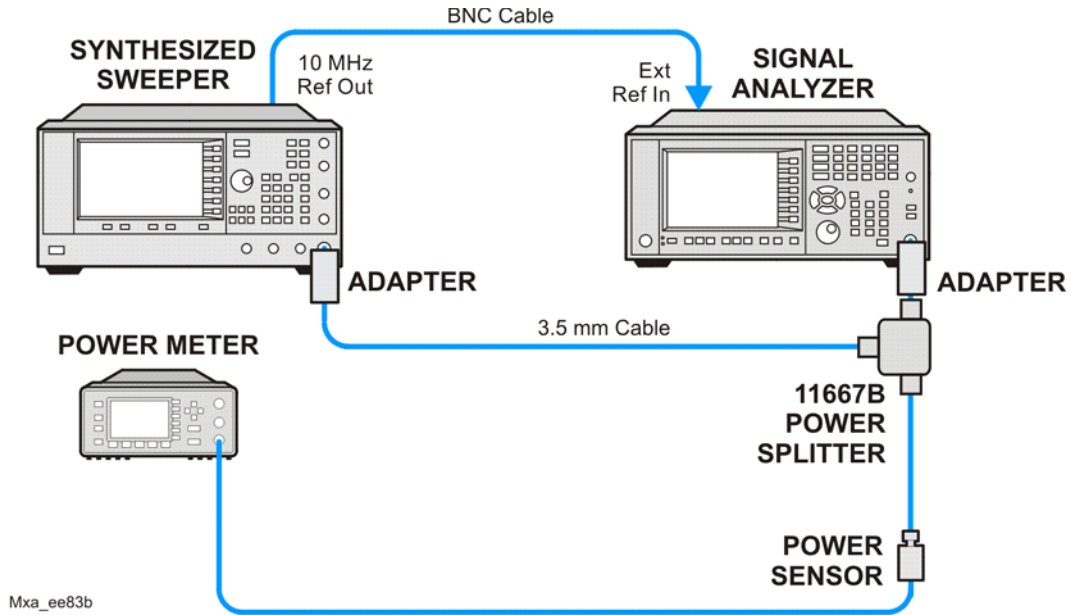
The frequency response test measures the signal analyzer's amplitude error as a function of the tuned frequency. Measurements are made ranging from 50 MHz to the maximum frequency range of your analyzer. The signal source amplitude is measured with a power meter to eliminate error due to source flatness. The measured value is normalized to 50 MHz.

Item	Critical Specifications (for this test)	Recommended Keysight Model
Adapter, Type N(m) to 3.5 mm(m)	<b>Frequency:</b> 10 MHz to 18 GHz VSWR: < 1.1:1	1250-1743
Adapter, 3.5 mm(f) to 3.5 mm(f)	Frequency: 10 MHz to 26.5 GHz VSWR: < 1.1:1	83059B
Cable, 3.5 mm, 1 meter	Frequency: 10 MHz to 26.5 GHz VSWR: < 1.4:1	11500E
Cables, BNC 120 cm	Frequency: 10 MHz	10503A
Power Meter	Compatible with power sensor	E4418B
Power Sensor	<b>Frequency Range:</b> 50 MHz to 26.5 GHz	8485A

Frequency Response (Flatness)

Item	Critical Specifications (for this test)	Recommended Keysight Model
Power Splitter	<b>Frequency Range:</b> 50 MHz to 26.5 GHz <b>Tracking between ports:</b> < 0.25 dB	11667B
Synthesized Sweeper	<b>Frequency Range:</b> 50 MHz to 26 GHz	PSG

Figure 5-1 Frequency Response Test Setup



## Procedure

1. Zero and calibrate the power meter and power sensor as described in the power meter operation manual.
2. Configure the equipment as shown in [Figure 5-1](#).

### NOTE

Connect the power splitter to the signal analyzer input using the appropriate adapter. Do not use a cable.

---

3. Assure the signal analyzer's built-in auto alignment has been performed within the last 24 hours.
4. Press **Mode, Spectrum Analyzer, Mode Preset** on the signal analyzer, and press **Preset** on the synthesized sweeper.
5. Set up the synthesized sweeper by pressing:  
**CW, 50, MHz**  
**Power level, -4, dBm**
6. Set up the signal analyzer by pressing:  
**Input/Output, More, Freq Ref In, External**  
**FREQ Channel, Center Freq, 50, MHz**  
**SPAN X Scale, Span, 50, kHz**  
**AMPTD Y Scale, Ref Level, 0, dBm**
7. Adjust the synthesized sweeper output power for a power meter reading of  $-10 \text{ dBm} \pm 0.1 \text{ dB}$ .
8. On the signal analyzer, press **Single**.
9. Press the **Peak Search** key on the signal analyzer to position the marker on the peak of the signal.
10. Refer to [Table 5-1, "Frequency Response \(Flatness\) Results."](#) Enter the amplitude of the signal displayed on the signal analyzer into the  $\text{Meas}_{\text{Amp}}$  column of [Table 5-1](#).
11. Enter the power meter reading into the  $\text{Power}_{\text{Meter}}$  column of [Table 5-1](#).
12. Tune the synthesized sweeper and signal analyzer to the next frequency listed in [Table 5-1](#).
13. Enter the power sensor calibration factor into the power meter.
14. For frequencies 3.6 GHz and above, press **AMPTD Y Scale**, then **Presel Center** to center the preselector filter for an optimum amplitude measurement.
15. Repeat [step 7](#) through [step 14](#) and complete the remainder of [Table 5-1](#) for the frequency range of your analyzer.

Frequency Response (Flatness)  
Procedure

16. Compute the measurement error ( $\text{Meas}_{\text{Error}} = \text{Meas}_{\text{Amp}} - \text{Power}_{\text{Meter}}$ ).

17. Compute the flatness error normalized to 50 MHz:

$$(\text{Meas}_{\text{Error}} - \text{Meas}_{\text{Error}} @ 50 \text{ MHz})$$

18. Enter the computed flatness error value into the Flat<sub>Norm</sub> column of **Table 5-1**.

19. Compare the value of Flat<sub>Norm</sub> to the test limit.

Table 5-1 Frequency Response (Flatness) Results

Center Frequency	Analyzer Amplitude Meas <sub>amp</sub>	Power Meter Measurement Power <sub>meter</sub>	Meas Error Meas <sub>error</sub>	Flatness Normalized to 50 MHz Flat <sub>Norm</sub>	Flatness Error Test Limits (dB)
50 MHz				0	Ref
1 GHz					±1.7 dB
2 GHz					±1.7 dB
3 GHz					±1.7 dB
3.5 GHz					±1.7 dB
4 GHz					±3.0 dB
6 GHz					±3.0 dB
8 GHz					±3.5 dB
9 GHz					±3.5 dB
11 GHz					±3.5 dB
13 GHz					±3.5 dB
14 GHz					±4.2 dB
17 GHz					±4.2 dB
20 GHz					±4.2 dB
23 GHz					±4.2 dB
26 GHz					±4.2 dB



## 6 Frequency Response (Flatness), Preamp On

### Test Limits

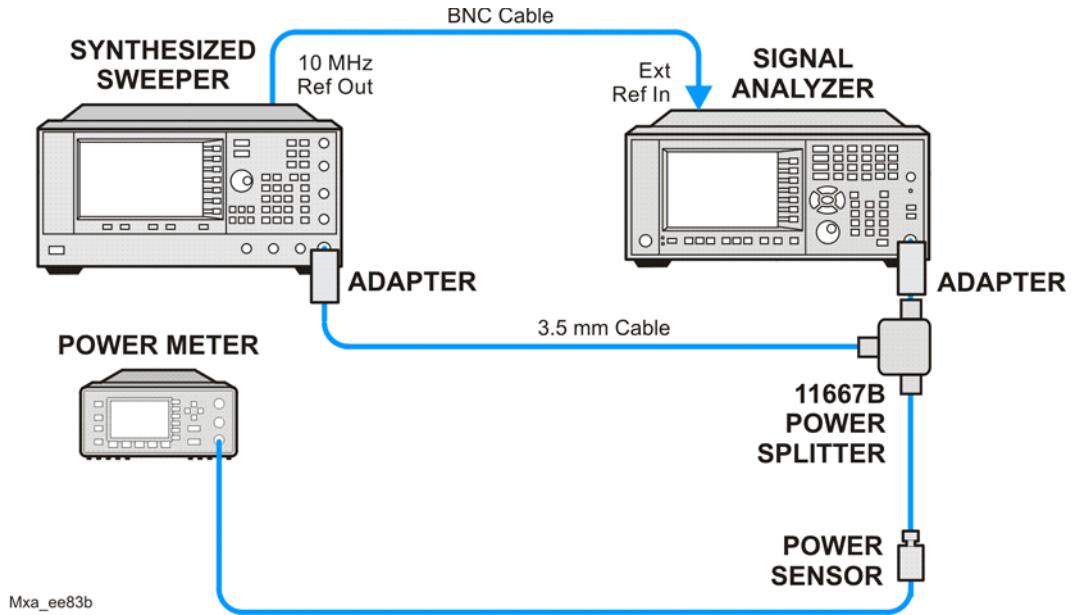
Frequency Range	Limit Relative to 50 MHz
100 kHz to 3.6 GHz	$\pm 2.2$ dB

The frequency response test, with preamplifier on, measures the signal analyzer's amplitude error as a function of the tuned frequency. Measurements are made ranging from 50 MHz to the maximum frequency range of the preamp. The signal source amplitude is measured with a power meter to eliminate error due to source flatness. The measured value is normalized to 50 MHz.

Item	Critical Specifications (for this test)	Recommended Keysight Model
Adapter, Type N(m) to 3.5 mm(m)	Frequency: 10 MHz to 18 GHz VSWR: < 1.1:1	1250-1743
Adapter, 3.5 mm(f) to 3.5 mm(f)	Frequency: 10 MHz to 26.5 GHz VSWR: < 1.1:1	83059B
Cable, 3.5 mm, 1 meter	Frequency: 10 MHz to 26.5 GHz VSWR: < 1.4:1	11500E
Cables, BNC 120 cm	Frequency: 10 MHz	10503A
Power Meter	Compatible with power sensor	E4418B
Attenuator, 30 dB Fixed	Frequency: 50 MHz Accuracy: $\pm 0.05$ dB	11708A
Power Sensor	<b>Frequency Range:</b> 50 MHz to 3.6 GHz <b>Amplitude Range:</b> -65 dBm to -55 dBm	8481D

Item	Critical Specifications (for this test)	Recommended Keysight Model
Power Splitter	<b>Frequency Range:</b> 50 MHz to 26.5 GHz <b>Tracking between ports:</b> < 0.25 dB	11667B
Synthesized Sweeper	<b>Frequency Range:</b> 50 MHz to 26.5 GHz	PSG

Figure 6-1 Frequency Response Test Setup



## Procedure

1. Zero and calibrate the power meter and power sensor as described in the power meter operation manual.
2. Configure the equipment as shown in [Figure 6-1](#).

### NOTE

Connect the power splitter to the signal analyzer input using the appropriate adapter. Do not use a cable.

---

3. Assure the signal analyzer's built-in auto alignment has been performed within the last 24 hours.
4. Press **Mode, Spectrum Analyzer, Mode Preset** on the signal analyzer, and press **Preset** on the synthesized sweeper.
5. Set up the synthesized sweeper by pressing:  
**CW, 50, MHz**  
**Power level, -54, dBm**
6. Set up the signal analyzer by pressing:  
**Input/Output, More, Freq Ref In, External**  
**FREQ Channel, Center Freq, 50, MHz**  
**SPAN X Scale, Span, 50, kHz**  
**AMPTD Y Scale, More, Internal Preamp, "Low Band"**  
**AMPTD Y Scale, Attenuation, Mech Atten, 0, dB**  
**AMPTD Y Scale, Ref Level, -55, dBm**
7. Adjust the synthesized sweeper output power for a power meter reading of  $-60 \text{ dBm} \pm 0.1 \text{ dB}$ .
8. On the signal analyzer, press **Single**.
9. Press the **Peak Search** key on the signal analyzer to position the marker on the peak of the signal.
10. Refer to [Table 6-1, "Frequency Response \(Flatness\) Results."](#) Enter the amplitude of the signal displayed on the signal analyzer into the  $\text{Meas}_{\text{Amp}}$  column of [Table 6-1](#).
11. Enter the power meter reading into the  $\text{Power}_{\text{Meter}}$  column of [Table 6-1](#).
12. Tune the synthesized sweeper and signal analyzer to the next frequency listed in [Table 6-1](#).
13. Enter the power sensor calibration factor into the power meter.
14. Repeat [step 7](#) through [step 13](#) and complete the remainder of [Table 6-1](#) for the frequency range of your preamp.
15. Compute the measurement error ( $\text{Meas}_{\text{Error}} = \text{Meas}_{\text{Amp}} - \text{Power}_{\text{Meter}}$ ).

Frequency Response (Flatness), Preamp On  
Procedure

16. Compute the flatness error normalized to 50 MHz:  
( $\text{Meas}_{\text{Error}} - \text{Meas}_{\text{Error @ 50 MHz}}$ )

17. Enter the computed flatness error value into the Flat<sub>Norm</sub> column of **Table 6-1**.

18. Compare the value of Flat<sub>Norm</sub> to the test limit.

Table 6-1 Frequency Response (Flatness) Results

Center Frequency	Analyzer Amplitude Meas <sub>amp</sub>	Power Meter Measurement Power <sub>meter</sub>	Meas Error Meas <sub>error</sub>	Flatness Normalized to 50 MHz Flat <sub>Norm</sub>	Flatness Error Test Limits (dB)
50 MHz				0	Ref
1 GHz					±2.2 dB
2 GHz					±2.2 dB
3 GHz					±2.2 dB
3.5 GHz					±2.2 dB

## 7 Scale Fidelity

### Test Limits

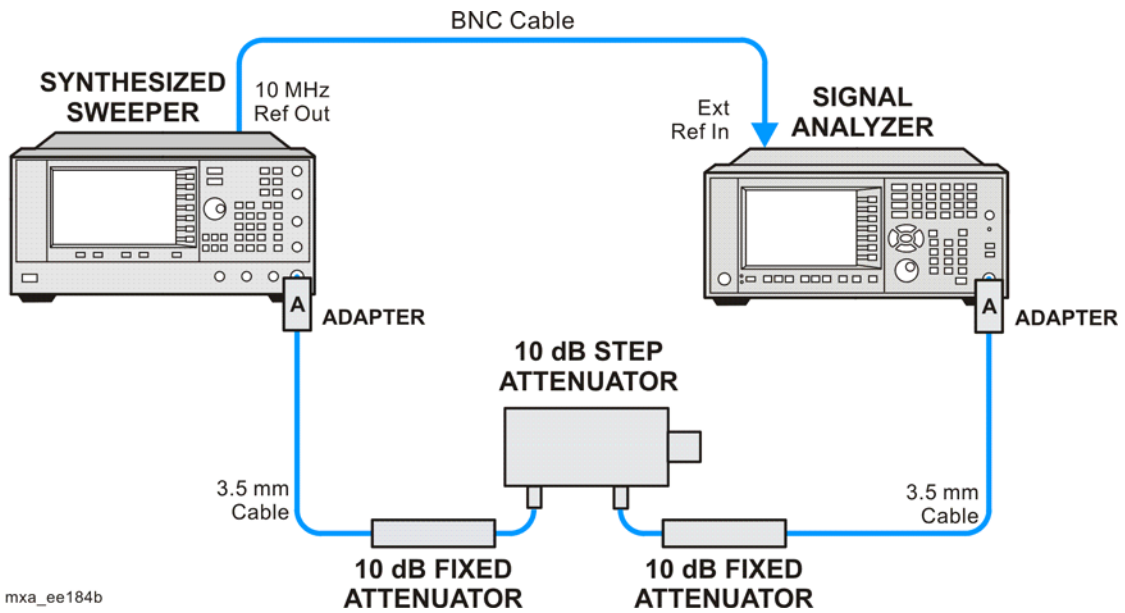
The scale fidelity error will be  $\leq \pm 1.0$  dB with  $\leq -10$  dBm at the mixer.

This test checks the scale fidelity of the instrument by maintaining a constant reference level and measuring signals of different amplitudes over most of the display range. This test sets the input attenuator to 10 dB and the Reference Level to 0 dBm. The external attenuator is set to 0 dB, and the amplitude of the source is adjusted to set the displayed signal at the reference level.

The instrument's internal marker is used to measure the reference amplitude. The Marker Delta function is activated and the RF input is reduced using the external precision step attenuator. Signal input levels from 0 dBm to  $-50$  dBm are measured.

Item	Critical Specifications (for this test)	Recommended Keysight Model
Adapter, Type-N(m), to 3.5 mm(f)	Frequency: 10 MHz to 18 GHz VSWR: < 1.1:1	1250-1745
Adapter, 3.5 mm(f) to 3.5 mm(f)	Frequency: 10 MHz to 26.5 GHz VSWR: < 1.1:1	83059B
Attenuator, 10 dB Step	<b>Range:</b> 0-50 dB <b>Frequency:</b> 50 MHz <b>Accuracy:</b> $\pm 0.25$ dB	8495A
Attenuator, 10 dB fixed (2 required)	Frequency: 50 MHz VSWR: < 1.2:1	8493C, option 010
Cable, 3.5 mm, 1 meter (2 required)	Frequency: 10 MHz to 26.5 GHz VSWR: < 1.4:1	11500E
Cable, BNC 120 cm	Frequency: 10 MHz	10503A
Synthesized Sweeper	<b>Output Level Accuracy:</b> 0 to $-15$ dBm: $\pm 1.0$ dB	PSG

Figure 7-1 Scale Fidelity Setup



**NOTE** Averaging is used for all measurements to improve repeatability and reduce measurement uncertainty.

---

## Procedure

1. Configure the equipment as shown in [Figure 7-1](#).
2. Preset the Source and press **Mode, Spectrum Analyzer, Mode Preset** on the analyzer.
3. Set up the synthesized sweeper by pressing:
  - Frequency, 50, MHz**
  - Amplitude, +5, dBm**
  - RF On/Off, On**
4. Set up the signal analyzer by pressing:
  - Input/Output, More, Freq Ref In, External**
  - FREQ Channel, Center Freq, 50, MHz**
  - SPAN X Scale, Span, 1, MHz**
  - AMPTD Y Scale, Ref Level, 0, dBm**
  - Meas Setup, Average/Hold Number, 10, Enter**
  - Trace/Detector, Trace Average**
  - Peak Search**
5. Set the external 10 dB step attenuator to 0 dB.
6. Adjust the amplitude on the signal source until the marker amplitude on the analyzer reads  $-15 \text{ dBm} \pm 0.2 \text{ dB}$ .
7. On the analyzer, press the **Single, Restart** to trigger a 10 sweep average.
8. On the analyzer, activate the Marker Delta function by pressing **Peak Search, Marker Delta**.
9. Perform the following steps for each attenuator setting listed in the table below:
  - a. Select the next External attenuator setting.
  - b. Press the **Restart** key to trigger a 10 sweep average.
  - c. Enter the delta marker value into [Table 7-1](#).
  - d. Check delta marker reading against the test limits.

Scale Fidelity  
Procedure

Table 7-1 Scale Fidelity Results

External Attenuator Setting	Minimum (dB)	Marker Delta Value (dB)	Maximum (dB)
0	N/A	Reference	N/A
10	-11.0		-9.0
20	-21.0		-19.0
30	-31.0		-29.0
40	-41.0		-39.0
50	-51.0		-49.0



## Index

## A

- amplitude accuracy test [23](#)
  - option 1DS [27](#)
- amplitude linearity test [37](#)

## D

- DANL test [15](#)
- displayed average noise level. See DANL [15](#)

## E

- equipment
  - functional tests [11](#)
  - warm-up time [10](#)

## F

- frequency readout accuracy test [19](#)
- frequency response
  - (flatness) test [29](#)
- frequency response (flatness) test
  - preamp on [33](#)
- functional testing
  - performance verification [8](#)
- functional tests
  - before performing [10](#)
  - equipment list [11](#)
  - introduction [7](#)
  - vs performance verification tests [8](#)
  - warm-up time [10](#)
  - See also individual functional tests [7](#)

## P

- performance verification tests vs functional tests [8](#)

## T

- tests. See functional tests

