

---

# N109310CA SFF-8431 Compliance Test Application

# Notices

© Keysight Technologies 2014 - 2024

No part of this manual may be reproduced in any form or by any means (including electronic storage and retrieval or translation into a foreign language) without prior agreement and written consent from Keysight Technologies as governed by United States and international copyright laws.

## Software Version

Version 1.20.3.0 or greater

## Edition

March 2024

Available in electronic format only

Keysight Technologies  
1900 Garden of the Gods Road  
Colorado Springs, CO 80907 USA

## Warranty

THE MATERIAL CONTAINED IN THIS DOCUMENT IS PROVIDED "AS IS," AND IS SUBJECT TO BEING CHANGED, WITHOUT NOTICE, IN FUTURE EDITIONS. FURTHER, TO THE MAXIMUM EXTENT PERMITTED BY APPLICABLE LAW, KEYSIGHT DISCLAIMS ALL WARRANTIES, EITHER EXPRESS OR IMPLIED WITH REGARD TO THIS MANUAL AND ANY INFORMATION CONTAINED HEREIN, INCLUDING BUT NOT LIMITED TO THE IMPLIED WARRANTIES OF MERCHANTABILITY AND FITNESS FOR A PARTICULAR PURPOSE. KEYSIGHT SHALL NOT BE LIABLE FOR ERRORS OR FOR INCIDENTAL OR CONSEQUENTIAL DAMAGES IN CONNECTION WITH THE FURNISHING, USE, OR PERFORMANCE OF THIS DOCUMENT OR ANY INFORMATION CONTAINED HEREIN. SHOULD KEYSIGHT AND THE USER HAVE A SEPARATE WRITTEN AGREEMENT WITH WARRANTY TERMS COVERING THE MATERIAL IN THIS DOCUMENT THAT CONFLICT WITH THESE

TERMS, THE WARRANTY TERMS IN THE SEPARATE AGREEMENT WILL CONTROL.

## Technology Licenses

The hardware and/or software described in this document are furnished under a license and may be used or copied only in accordance with the terms of such license.

## U.S. Government Rights

The Software is "commercial computer software," as defined by Federal Acquisition Regulation ("FAR") 2.101. Pursuant to FAR 12.212 and 27.405-3 and Department of Defense FAR Supplement ("DFARS") 227.7202, the U.S. government acquires commercial computer software under the same terms by which the software is customarily provided to the public. Accordingly, Keysight provides the Software to U.S. government customers under its standard commercial license, which is embodied in its End User License Agreement (EULA), a copy of which can be found at <http://www.keysight.com/find/sweula>. The license set forth in the EULA represents the exclusive authority by which the U.S. government may use, modify, distribute, or disclose the Software. The EULA and the license set forth therein, does not require or permit, among other things, that Keysight: (1) Furnish technical information related to commercial computer software or commercial computer software documentation that is not customarily provided to the public; or (2) Relinquish to, or otherwise provide, the government rights in excess of these rights customarily provided to the public to use, modify, reproduce, release, perform, display, or disclose commercial computer software or commercial computer software documentation. No additional government requirements beyond those set forth in the EULA shall apply, except to the extent that those terms, rights, or licenses are explicitly required from all providers of commercial computer software pursuant to the FAR and the DFARS and are set forth specifically in writing elsewhere in the EULA. Keysight shall be under no obligation to update, revise or otherwise modify the Software. With respect to any technical data as defined by FAR 2.101, pursuant to FAR 12.211 and 27.404.2 and DFARS 227.7102, the U.S. government acquires no

greater than Limited Rights as defined in FAR 27.401 or DFAR 227.7103-5 (c), as applicable in any technical data.

## Safety Notices

### CAUTION

A CAUTION notice denotes a hazard. It calls attention to an operating procedure, practice, or the like that, if not correctly performed or adhered to, could result in damage to the product or loss of important data. Do not proceed beyond a CAUTION notice until the indicated conditions are fully understood and met.

### WARNING

A WARNING notice denotes a hazard. It calls attention to an operating procedure, practice, or the like that, if not correctly performed or adhered to, could result in personal injury or death. Do not proceed beyond a WARNING notice until the indicated conditions are fully understood and met.

# Contents

## 1 Introduction

<b>Installing the N109310CA SFF-8431 Compliance Test Application</b>	<b>5</b>
<b>Recommended Equipment</b>	<b>7</b>
<b>Installing N109310CA and N1010A FlexDCA on a PC</b>	<b>9</b>
<b>Installing the N109310CA on a PC without FlexDCA</b>	<b>12</b>
<b>Installing N109310CA on the 86100D or N1000A Oscilloscope</b>	<b>17</b>
<b>Starting the N109310CA SFF-8431 Compliance Test Application</b>	<b>20</b>
<b>Connecting to External Instruments</b>	<b>21</b>

## 2 Installing N109310CA and N1010A FlexDCA on a PC

<b>Connecting the Equipment</b>	<b>36</b>
<b>Installing the I/O Library Suite</b>	<b>36</b>
<b>Installing the N1010A FlexDCA Application</b>	<b>37</b>
<b>Installing the N109310CA SFF-8431 Compliance Test Application</b>	<b>42</b>
<b>Connecting N1010A FlexDCA to 86100D or N1000A</b>	<b>46</b>
<b>Connecting N1010A FlexDCA to N109X Oscilloscope and N107X</b>	<b>52</b>
<b>Starting the N109310CA SFF-8431 Compliance Test Application</b>	<b>53</b>
<b>Connecting to the Network Analyzer</b>	<b>55</b>
<b>Installing WDP Measurement Script</b>	<b>57</b>

## 3 Installing N109310CA on a PC Without N1010A FlexDCA

<b>Connecting the Equipment</b>	<b>64</b>
<b>Installing the I/O Library Suite</b>	<b>64</b>
<b>Installing the N109310CA SFF-8431 Compliance Test Application</b>	<b>65</b>
<b>Validating DCA-X Oscilloscope's SCPI Server Setup</b>	<b>69</b>
<b>Adding 86100D or N1000A to Keysight Connection Expert</b>	<b>70</b>
<b>Connecting N1010A FlexDCA to N109X Oscilloscope and N107X</b>	<b>78</b>
<b>Starting the N109310CA SFF-8431 Compliance Test Application</b>	<b>79</b>
<b>Connecting to the Network Analyzer</b>	<b>81</b>
<b>Installing WDP Measurement Script</b>	<b>83</b>

4 Installing N109310CA on the 86100D or N1000A

<b>Connecting the Equipment</b>	88
<b>Installing the I/O Library Suite</b>	88
<b>Installing the N109310CA SFF-8431 Compliance Test Application</b>	89
<b>Connecting N1010A FlexDCA to N109X Oscilloscope and N107X</b>	93
<b>Starting the N109310CA SFF-8431 Compliance Test Application</b>	94
<b>Connecting to the Network Analyzer</b>	95
<b>Installing WDP Measurement Script</b>	97

# 1 Introduction

Use the instructions in this Guide to install and set up the N109310CA SFF-8431 Compliance Test Application. Once the procedures in this document are completed, you can begin compliance testing. Information on using the application is included in the application's Online Help.

Your licenses determine where you install the N109310CA and FlexDCA applications. The N109310CA license allows you to install the application on either a specific PC or a specific 86100D DCA-X or N1000A DCA-X instrument. This selection is made at the time you redeem your licenses.

Configuration	DCA-X Supported Configurations	DCA-M Supported Configurations
N109310CA on a PC with FlexDCA	A PC attached to N1000A or 86100D DCA-X oscilloscope (in Legacy configuration) over LAN. The PC has N109310CA SFF-8431, N1010A FlexDCA, 86100DU-401 or N1010100A License, Microsoft Excel, and IO Connection Expert installed on it.	A PC directly connected to the N109X with a USB cable. The PC has N109310CA SFF-8431, N1010A FlexDCA, N109x-401 or N1010100A License, Microsoft Excel, and IO Connection Expert installed on it.
N109310CA on a PC without FlexDCA	A PC attached to N1000A or 86100D DCA-X oscilloscope (in Standard configuration) over LAN. The PC has N109310CA SFF-8431, 86100DU-401 or N1010100A License, Microsoft Excel, and IO Connection Expert installed on it.	<b>Configuration 1:</b> Connect the primary test system PC to a low-cost modern PC via LAN. The FlexDCA interface resides on the second PC. The second PC is then connected to the N109X via USB. This eliminates most issues of compatibility between an existing test system PC and the N109X hardware and can greatly simplify converting an 86100D system to an N109X system. <b>Configuration 2:</b> An N1000A or 86100D mainframe connected to the N109X with a USB cable. The N1000A or 86100D has FlexDCA installed on it. The N1000A or 86100D can then be controlled via GPIB or LAN by a PC that has N109310CA installed on it. The PC with N109310CA has N109x-401 or N1010100A License, Microsoft Excel, and IO Connection Expert installed on it.
N109310CA on the oscilloscope	N1000A or 86100D DCA-X oscilloscope in Standard configuration. The oscilloscope has N109310CA SFF-8431, 86100DU-401 or N1010100A License, Microsoft Excel, and IO Connection Expert installed on it.	An N1000A or 86100D mainframe connected to the N109X with a USB cable. The N1000A or 86100D has FlexDCA and N109310CA installed on it.

## NOTE

If you plan to run all of the N109310CA tests, the N109310CA license will suffice. If using older licenses, host testing requires option N1014A-HST and Module Testing requires option N1014A-MOD.

## Installing the N109310CA SFF-8431 Compliance Test Application

- 1 Select from one of three different test-equipment configurations shown in the following pages. The configuration that you select depends on where the N109310CA SFF-8431 Compliance Test Application is installed, as determined by the licenses, and whether you are using the N1010A FlexDCA application.
- 2 After locating the figure that matches your setup, follow the recommended procedure.

## Recommended Equipment and Software

Table 1 Recommended equipment to run tests on the N109310CA SFF-8431 Compliance Test Application

Equipment	Configuration	
	Single Plug-In Module Setup	Multiple Module Setup
Oscilloscope	N1000A DCA-X N1000A-LOJ Low jitter timebase N1000A-PLK Pattern lock trigger hardware F-JIT Enhanced Jitter Analysis option under N1010100A R&D package F-EQ Equalizers option under N1010100A R&D package Or 86100D DCA-X* with options: 86100D-ETR Extended Trigger 86100D-200 Enhanced Jitter Analysis or F-JIT Enhanced Jitter Analysis option under N1010100A R&D package 86100D-201 Advanced Waveform Analysis or F-EQ Equalizers option under N1010100A R&D package Or any of these N1092 C/E Optical + Two Electrical Channels N1094A Two Electrical Channels N1094B Four Electrical Channels	
86100D Plug-In Module	86108A or 86108B with options LBW/HBW and 216/232. Option JSA provides improved jitter measurement accuracy (optional). N1060A for N1000A.	86112A, 54754A, 86117A, or 86118A-H01. 86107A (any option). N1045A, N1045B, N1055A, N1046A 75/85/100 GHz.
Clock/Data Recovery and Demultiplexer	N4877A-216/232 Clock Data Recovery & Demultiplexer.† N1076 A/B, N1077A, N1078A Clock Data Recovery.	
Software	N109310CA SFF-8431 Compliance Application. N1010A FlexDCA Software† (Optional)** 86100DU-401 Advanced Eye Software License †† or F-AEYE under N1010100A R&D package. Keysight I/O Libraries, 16.3 or higher, 16.3 if running N1010A on a PC. Microsoft® Excel 2007 or greater MATLAB Compiler Run Time (MCR) 7.10	
Performance Network Analyzer (PNA) or Economy Network Analyzer (ENA)	Any 4-port model with frequency range of at least 12 GHz (ENA also covers the 1 MHz termination mismatch test)	
Matched Cable Set	86108B-CA3	
Phase Trimmers	86108B-PT3 (quantity 2)	
DC Blocks	86108B-DC3, N9398C, N9399C, or 11742A (quantity 2)	
Pick-Off	N/A	N4915A-015 (quantity 2)

\* FlexDCA version A.05.80 or greater

† If you have access to the clock for the device, you can connect the clock to the 86100D's Trigger input *instead of* using the N4877A

‡ Revision A.05.80 or greater

\*\*Required if running FlexDCA on the PC

†† A version of the 86100DU-401 is automatically installed with the N109310CA. However, the *license* must be purchased and installed

**NOTE**

The N109310CA SFF-8431 Compliance Test Application *cannot* be installed on an 86100A, 86100B, or 86100C.

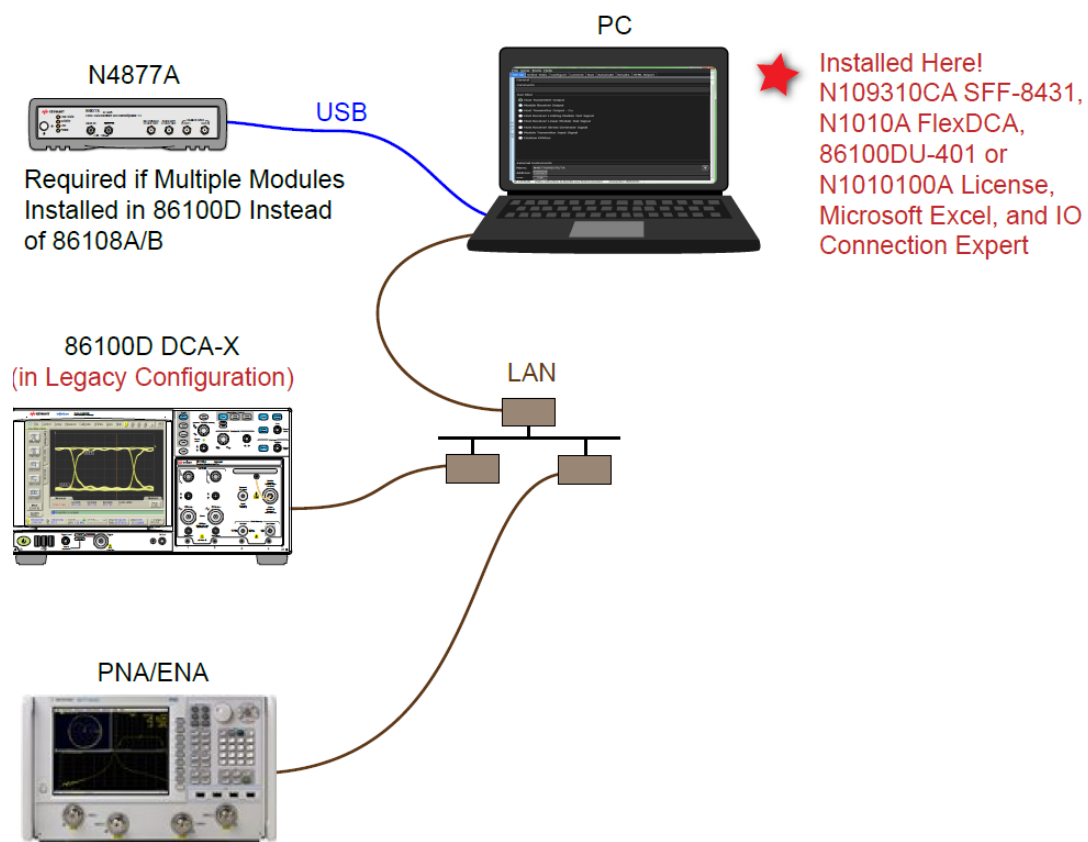
---



## Installing N109310CA and N1010A FlexDCA on a PC



If your licenses allow for installing the software as marked by the red star in the following diagrams, go to [Chapter 2](#), “Installing N109310CA and N1010A FlexDCA on a PC”.



N109310CA and N1010A FlexDCA installed on PC connected to 86100D DCA-X Oscilloscope

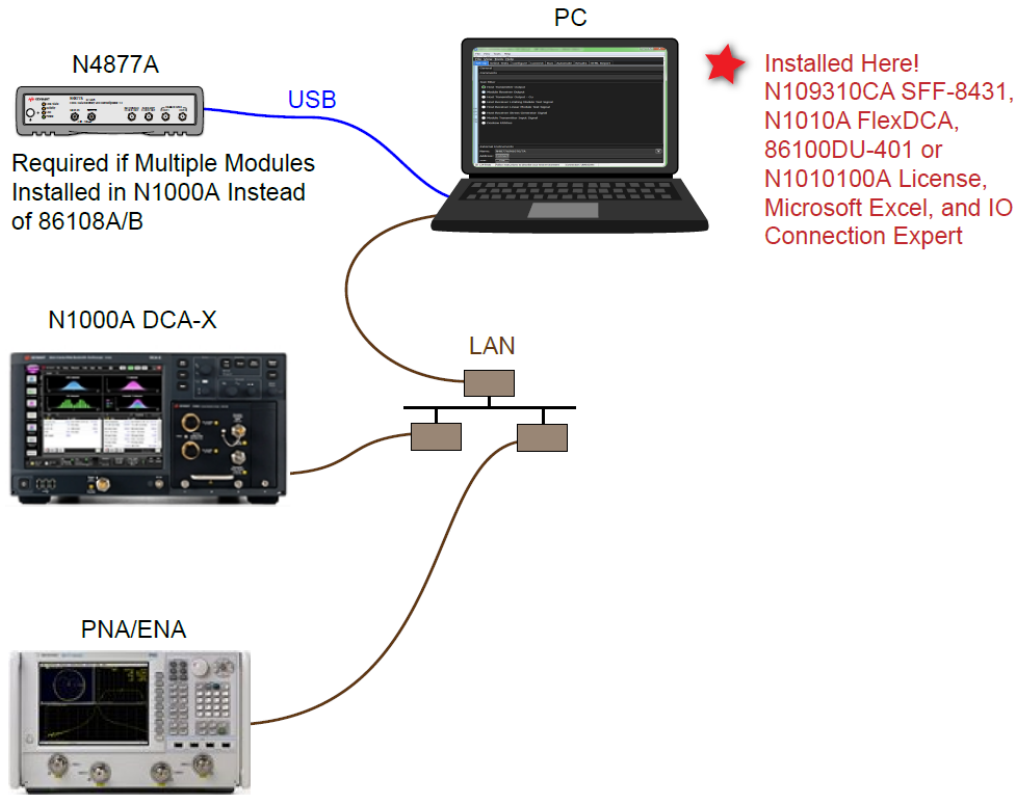


Figure 1 N109310CA and N1010A FlexDCA installed on PC connected to N1000A DCA-X Oscilloscope

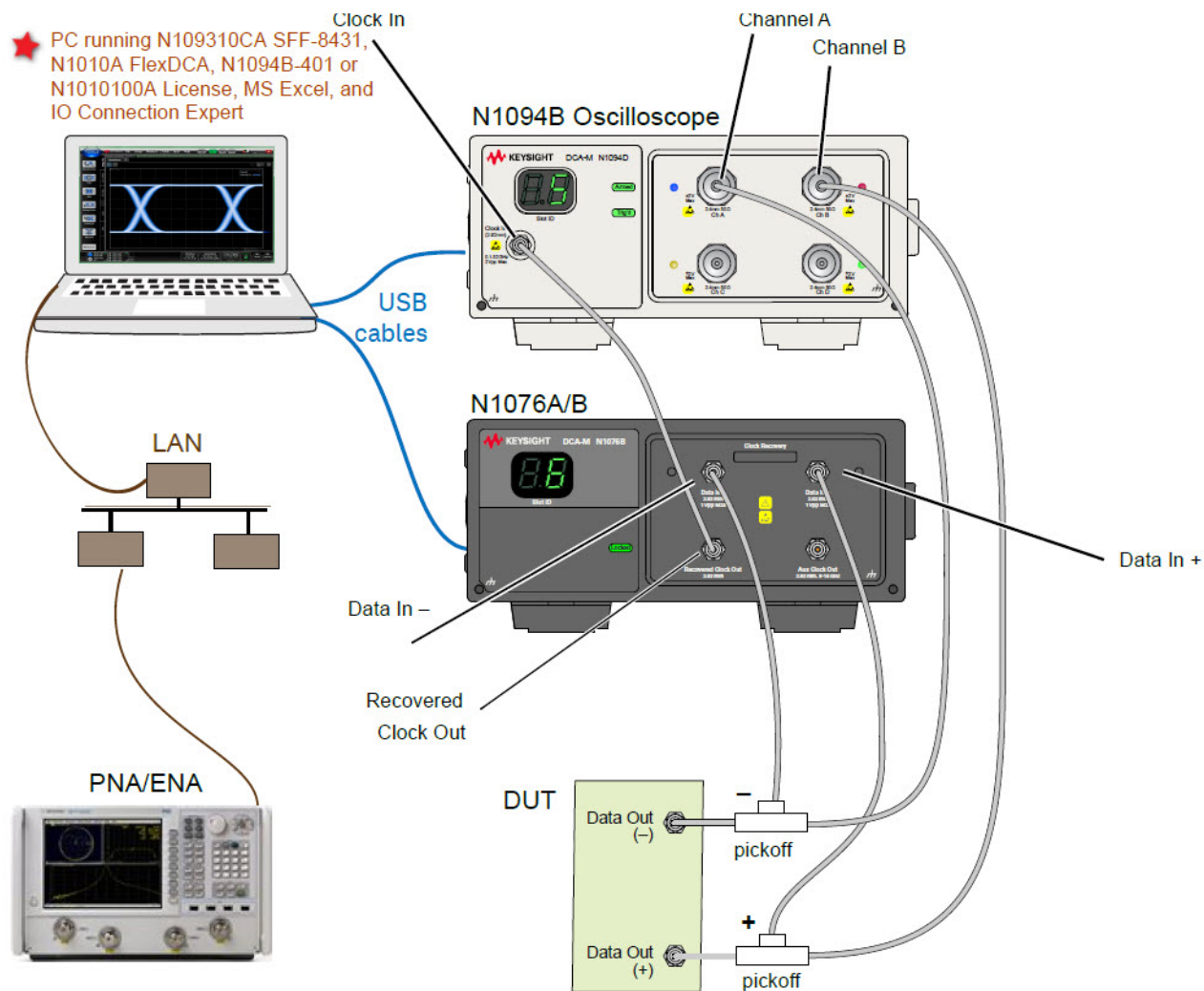


Figure 2 N109310CA and N1010A FlexDCA Installed on PC connected to N1094B DCA-M Oscilloscope

## Installing the N109310CA on a PC without FlexDCA

★ If your licenses allow for installing the software as marked by the red star in this diagram, go to [Chapter 3](#), “Installing N109310CA on a PC Without N1010A FlexDCA”.

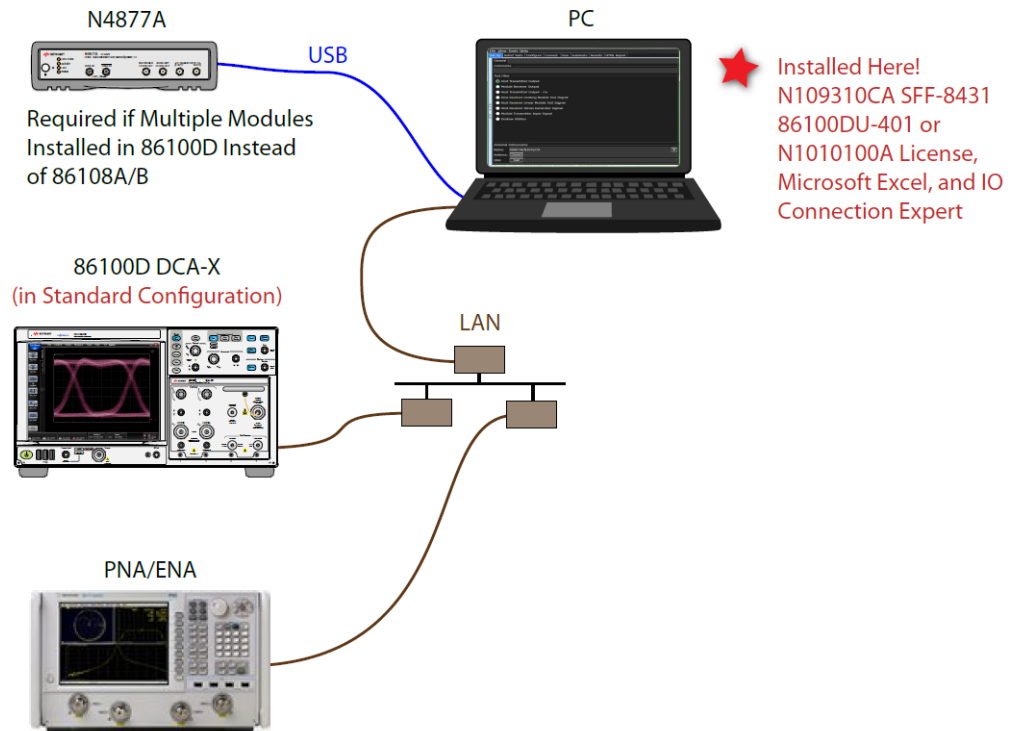


Figure 3 N109310CA Installed on PC connected to 86100D DCA-X Oscilloscope

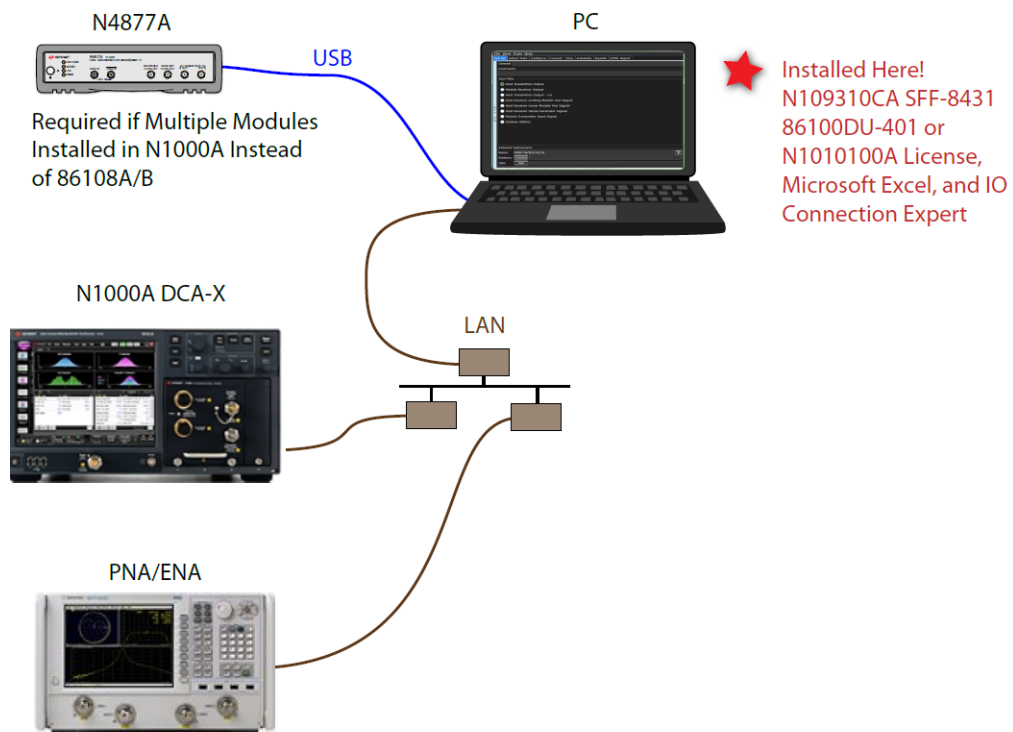


Figure 4 N109310CA Installed on PC connected to N1000A DCA-X Oscilloscope

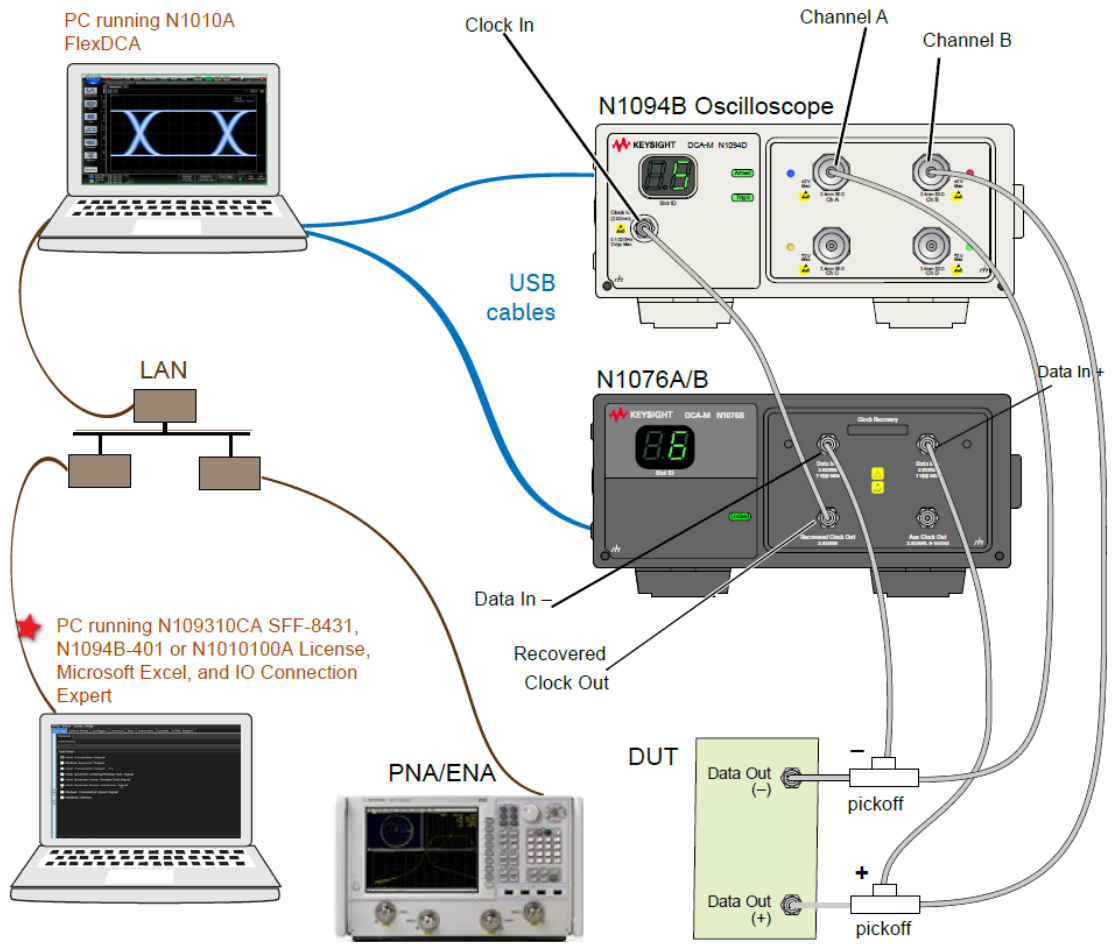


Figure 5 N109310CA Installed on PC Without N1010A FlexDCA connected to N1094B DCA-M Oscilloscope via another PC

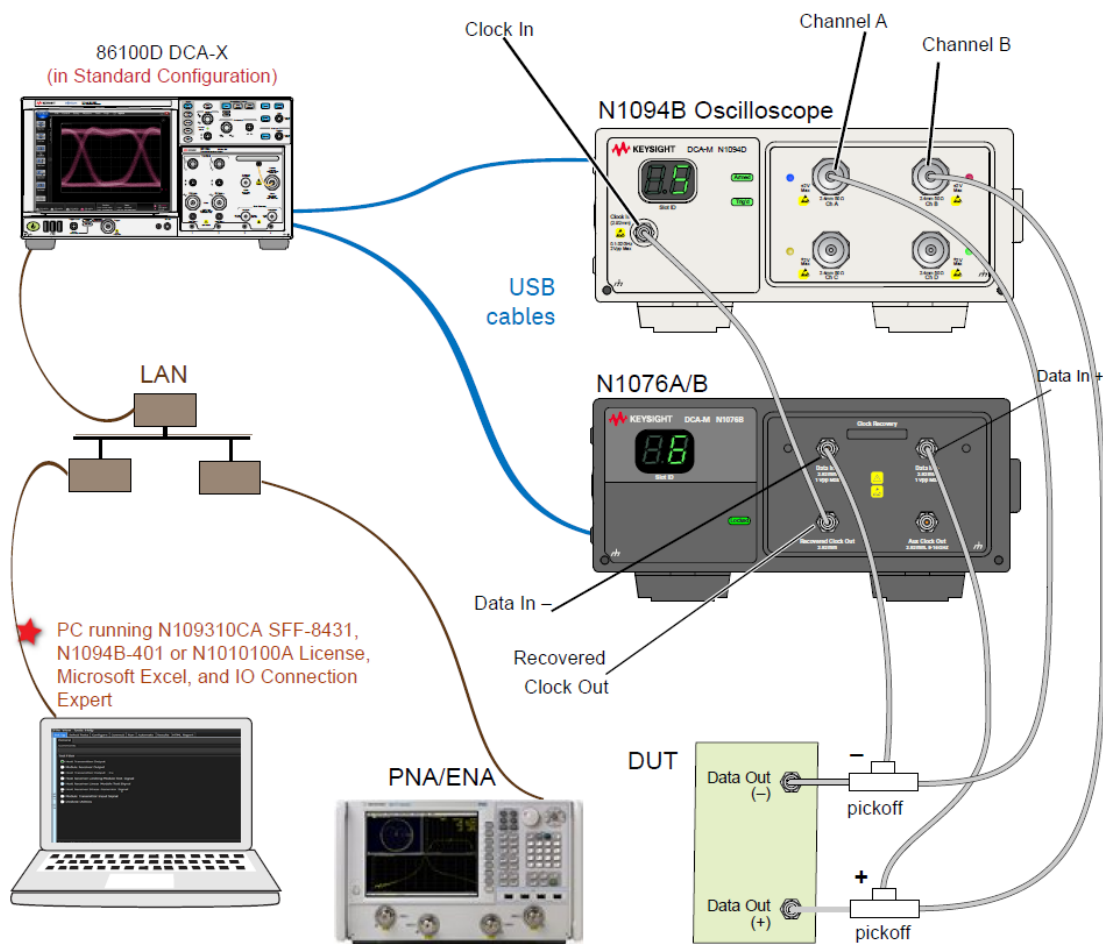


Figure 6 N109310CA Installed on PC Without N1010A FlexDCA connected to N1094B DCA-M Oscilloscope via 86100 DCA-X Oscilloscope

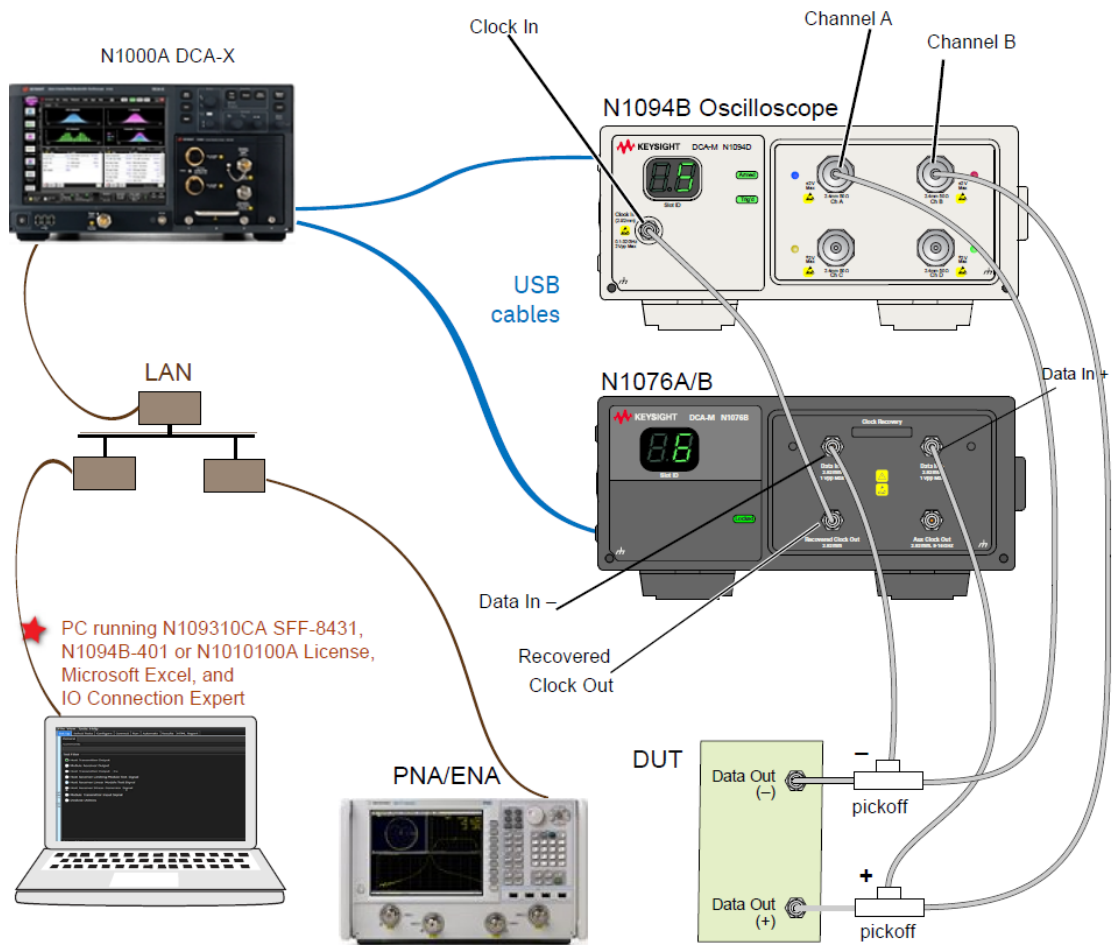


Figure 7 N109310CA Installed on PC Without N1010A FlexDCA connected to N1094B DCA-M Oscilloscope via N1000A DCA-X Oscilloscope



## Installing N109310CA on the 86100D or N1000A Oscilloscope



If your licenses allow for installing the software as marked by the red star in this diagram, go to [Chapter 4](#), “Installing N109310CA on the 86100D or N1000A”.

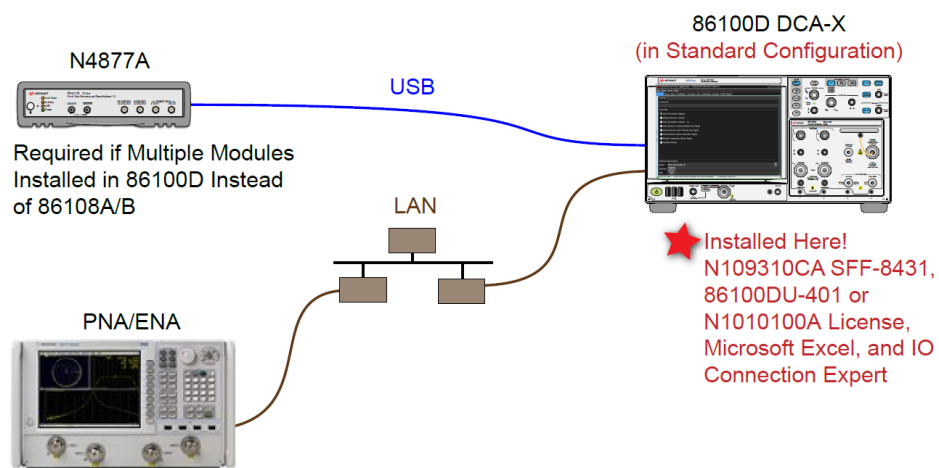


Figure 8 N109310CA Installed on 86100D

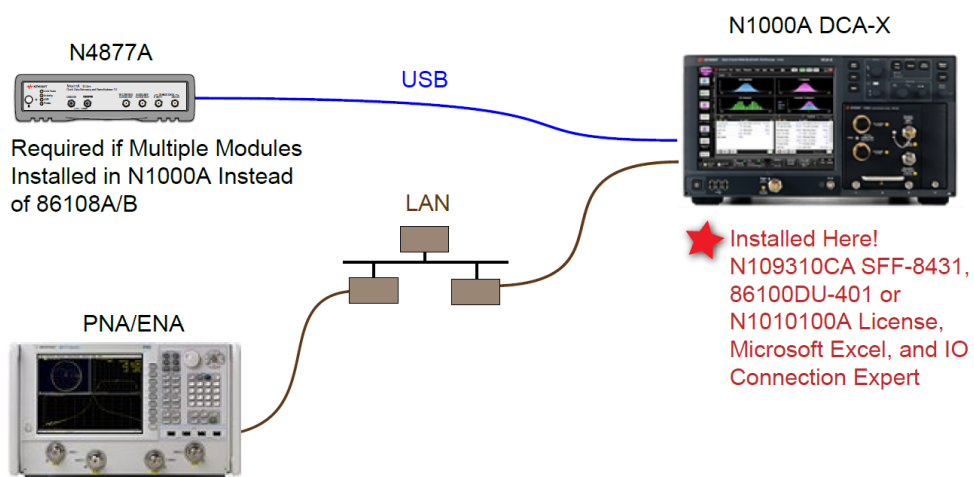


Figure 9 N109310CA Installed on N1000A

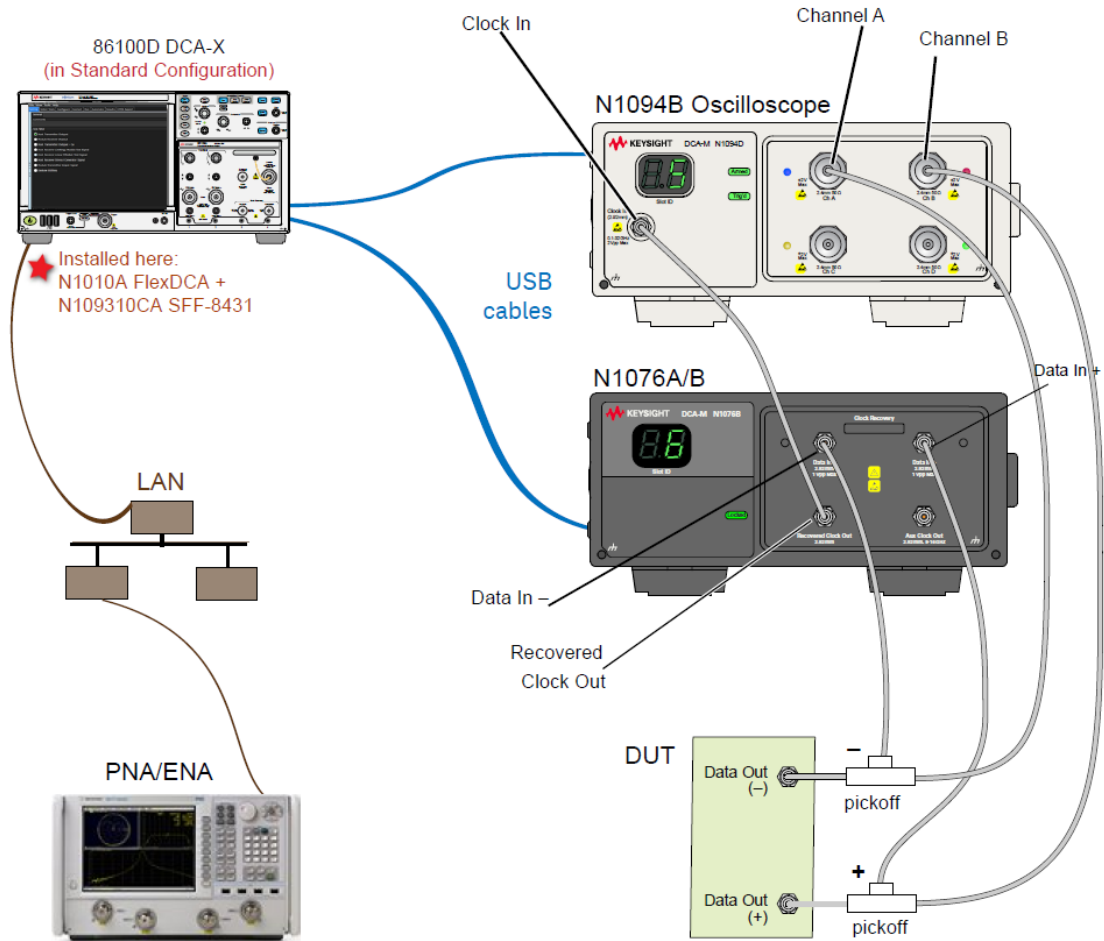


Figure 10 N109310CA Installed on N1000A connected to a DCA-M setup

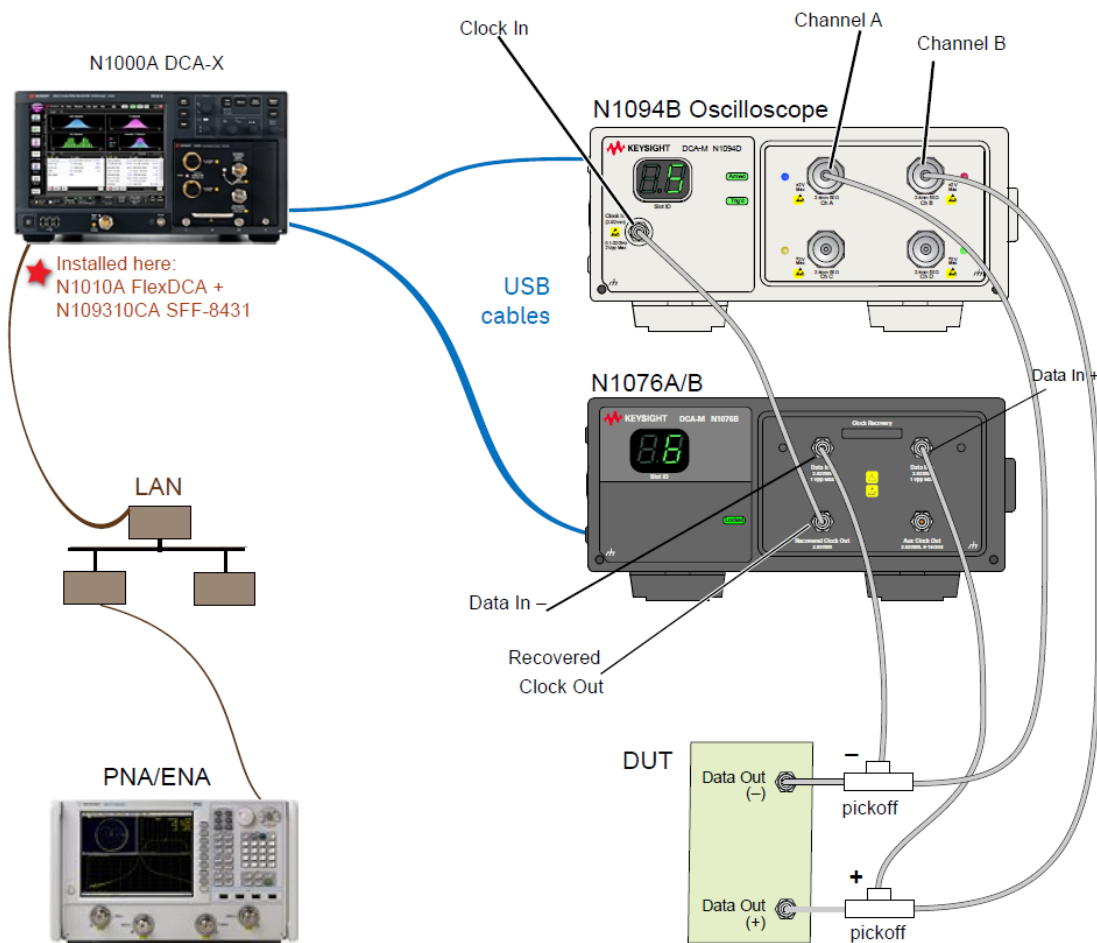


Figure 11 N109310CA Installed on N1000A connected to a DCA-M setup

## Starting the N109310CA SFF-8431 Compliance Test Application

After you install the N109310CA SFF-8431 Compliance Test Application on a PC (with or without the N1010A FlexDCA interface) or on the 86100D or N1000A Oscilloscope, refer to the following sections to start the N109310CA SFF-8431 Compliance Test Application:

- If the N109310CA SFF-8431 Compliance Test Application and the N1010A FlexDCA Software are installed on the same PC and the DCA-X or DCA-M Oscilloscope is being accessed remotely, see [“Starting the N109310CA SFF-8431 Compliance Test Application”](#) on page 53.
- If the N109310CA SFF-8431 Compliance Test Application is installed on a PC (but the N1010A FlexDCA Software is not installed) and the DCA-X or DCA-M Oscilloscope is being accessed remotely, see [“Starting the N109310CA SFF-8431 Compliance Test Application”](#) on page 79.
- If the N109310CA SFF-8431 Compliance Test Application is installed on the 86100D or N1000A Oscilloscope, see [“Starting the N109310CA SFF-8431 Compliance Test Application”](#) on page 94.

## Connecting to External Instruments

Most of the measurements in the N109310CA SFF-8431 Compliance Test Application use an 86100D or N1000A DCA-X or a supported DCA-M (N1092C/E, N1094A, N1094B) sampling oscilloscope. However, for S-Parameter measurements, a network analyzer is required. If properly configured, the Compliance Test Application can communicate with a network analyzer for making the measurements, and include the S-parameter results in the test application report.

Previous versions of the N109310CA SFF-8431 Compliance Test Application required Instrument protocol connections to the LAN for ENAs and Socket connections for PNAs. However, version 1.11 and higher require Socket connections for ENAs as well as PNAs.

Note that the Keysight I/O Library Suite must be installed before you proceed with connecting to the network analyzer. The user interface for Keysight Connection Expert 2017 (Version 18.0) and higher is slightly different from its previous versions, such as Version 17.2 or earlier.

### Connection using Keysight Connection Expert v17.2 (or earlier)

- 1 Locate and record the ENA/PNA instrument's Hostname (Full Computer Name). Refer to the respective network analyzer's documentation for locating this information.
- 2 From the Windows **Start** menu, click **All Programs>Keysight Connection Expert** to launch Connection Expert. Refer to [Keysight IO Libraries Suite](#) for information on how to install the Keysight Connection Expert.

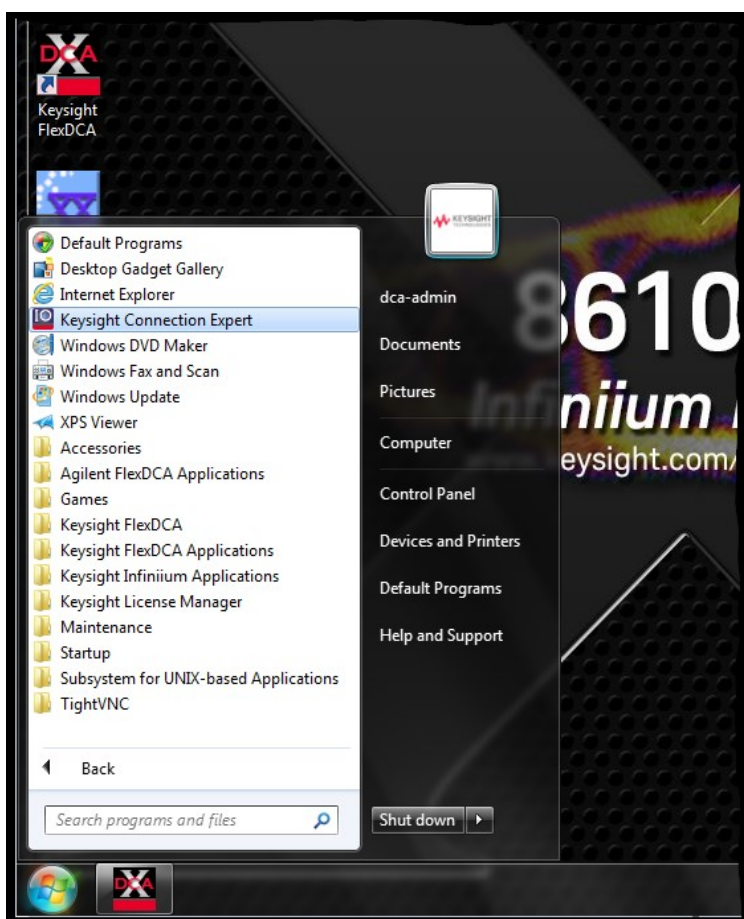


Figure 12 Launching the Keysight Connection Expert

3 In Keysight Connection Expert, click the **Manual Configuration** tab.

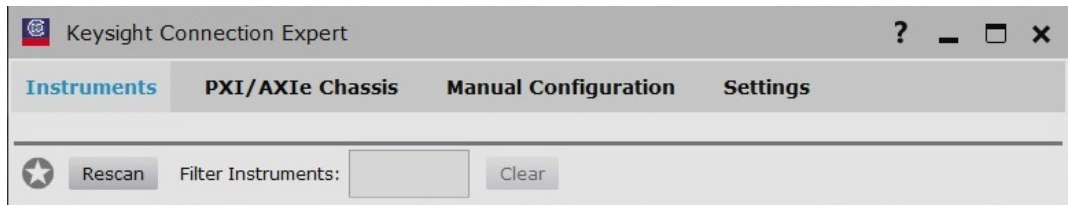


Figure 13 Tabs within Keysight Connection Expert

4 Under **Add New Instruments / Interfaces**, select **LAN instrument**.

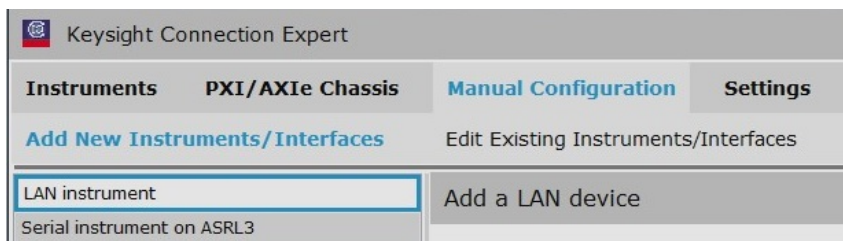


Figure 14 Performing Manual Configuration in Keysight Connection Expert

- 5 In the **Add a LAN device** pane,
  - a Under **Set LAN Address**, enter the Hostname (recorded in step 1) in the **Hostname or IP Address**: field. Note that your Hostname entry will be different from what is shown in the image.
  - b Under **Set Protocol**, select **Socket** and enter the port number.
  - c Under **Verify Connection**, click **Test This VISA Address** to verify the connection.

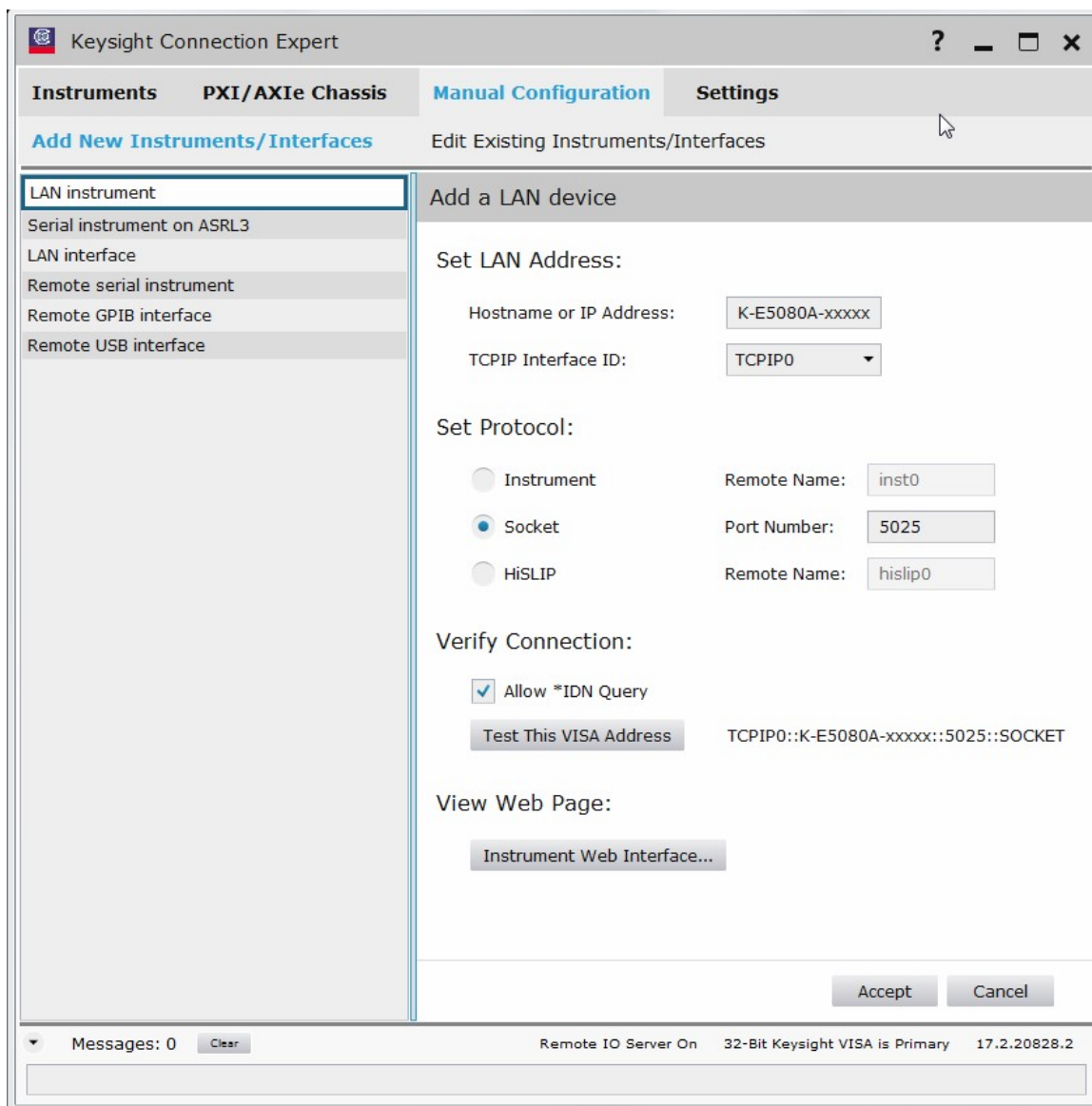


Figure 15 Adding a LAN device information in the Keysight Connection Expert

- 6 Once you verify the entered data, click **Accept** to complete the process.

- 7 Copy Network Analyzer SICL Address to the Clipboard:
  - a Click the **Instruments** tab of the Keysight Connection Expert.
  - b Click the ENA/VNA listing on the left pane, and copy the SICL address using *Ctrl + C* keys. Note that the address on your end will be different from what is shown in the image.

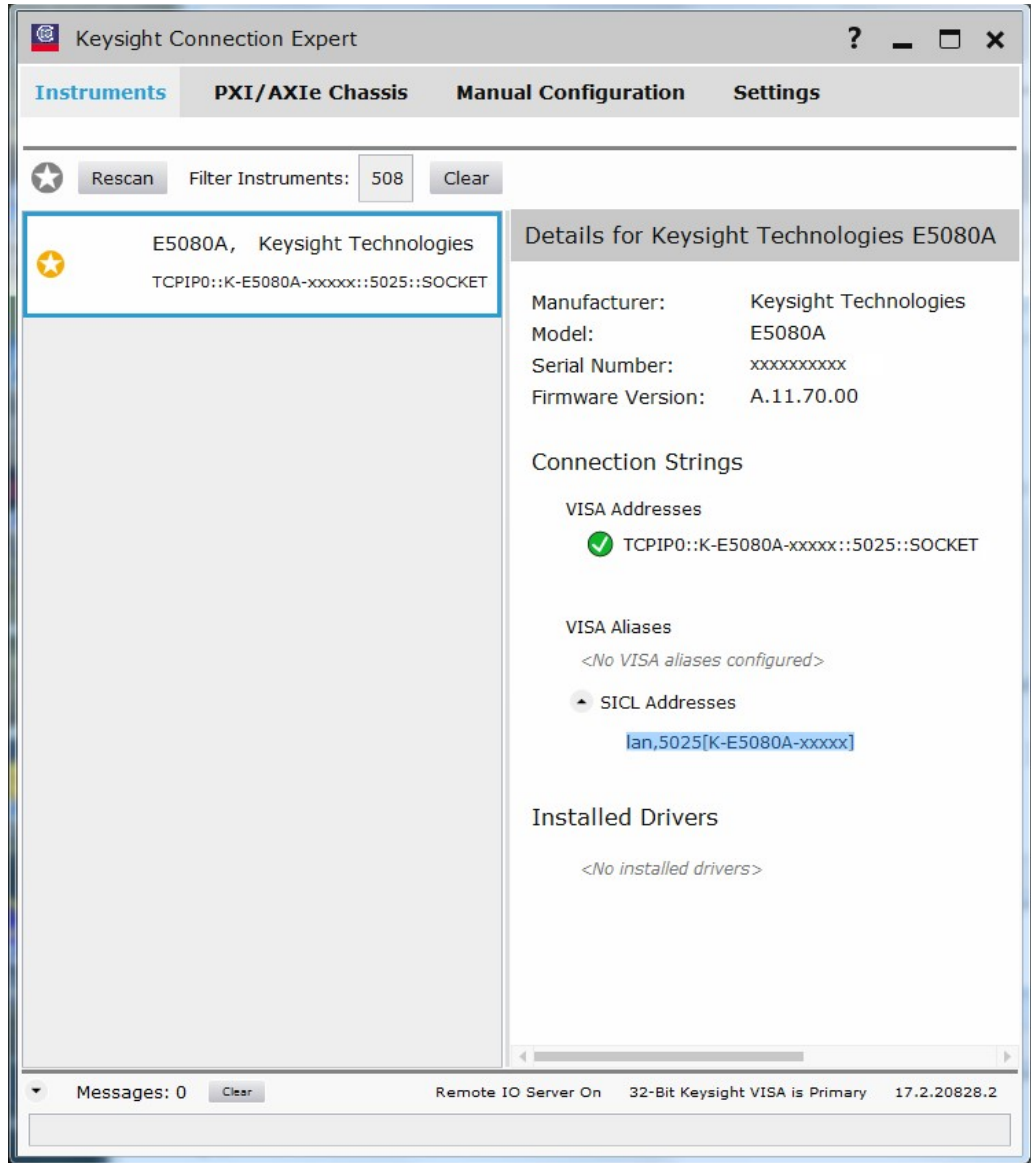


Figure 16 Copying Network Analyzer's SICL Address

- 8 Start the N109310CA SFF-8431 Compliance Test Application. Refer to [“Starting the N109310CA SFF-8431 Compliance Test Application”](#) on page 20 for instructions.



## 9 Connect to the Network Analyzer:



Figure 17 Default view of External Instruments area in the N109310CA SFF-8431 Application

- a In the **Name:** field of the **External Instruments** area at the bottom of the N109310CA SFF-8431 application's main window, select either **N4877A/N1076/7A**, **VNA** or **ENA** from the drop-down list, depending on your network analyzer. In the example below, **ENA** is selected.

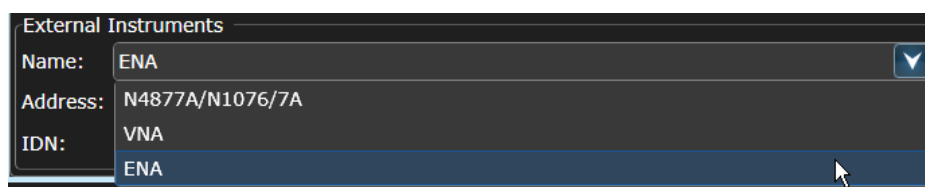


Figure 18 Selecting a Network Analyzer in the N109310CA SFF-8431 Application

- b Click **Connect**. The **Connect to ENA** window appears.

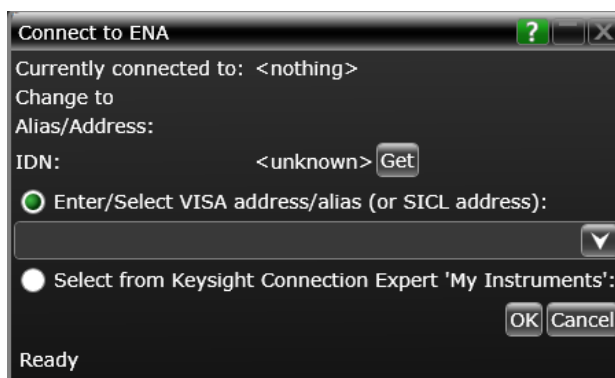


Figure 19 Connecting to the selected Network Analyzer

- c In the **Enter/Select VISA address/alias (or SICL address)** field, paste the SICL address using **Ctrl + V** keys.
- d Click **Get** to confirm the connection.
- e Click **OK** to close the dialog box.
- f The **External Instruments** field displays the relevant information once the connection to the selected network analyzer is established.

### Connection using Keysight Connection Expert 2017 (v18.0) and higher

- 1 Locate and record the ENA/PNA instrument's Hostname (Full Computer Name). Refer to the respective network analyzer's documentation for locating this information.
- 2 From the Windows **Start** menu, click **All Programs>Keysight Connection Expert** to launch Connection Expert 2017. Refer to [Keysight IO Libraries Suite](#) for information on how to install the Keysight Connection Expert 2017.

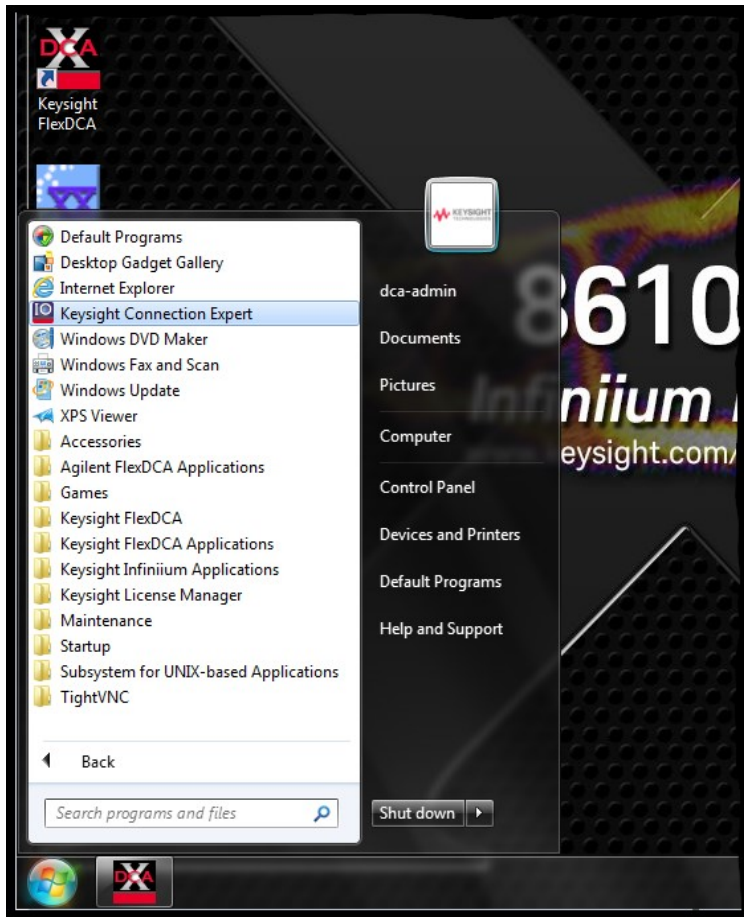


Figure 20 Launching the Keysight Connection Expert 2017

- 3 In Keysight Connection Expert 2017, click the **+ Add** button to manually add instruments and interfaces.

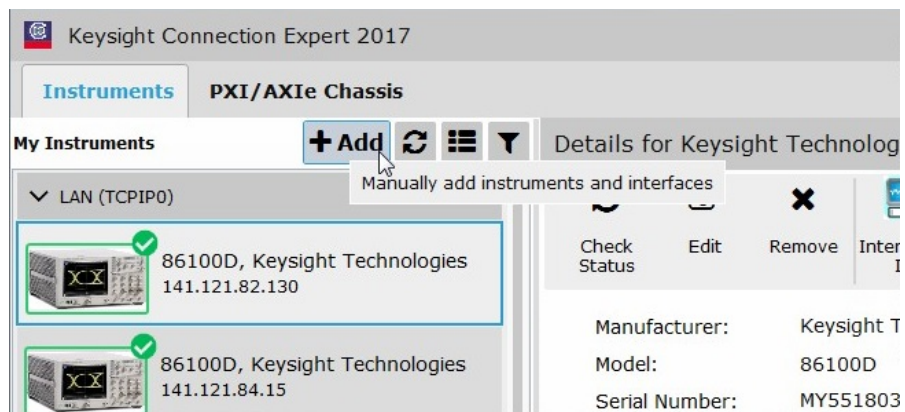


Figure 21 Adding LAN device manually in the Keysight Connection Expert 2017

- 4 From the drop-down list that appears, select **LAN instrument**.

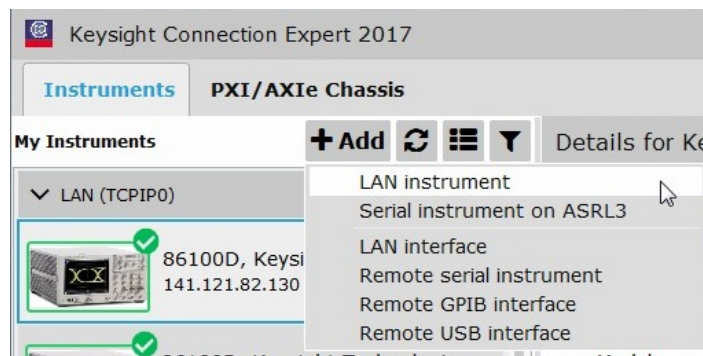


Figure 22 Selecting LAN instrument in the Keysight Connection Expert 2017

- 5 In the **Add a LAN device** window,
  - a Select the **Enter Address** tab.
  - b Under **Set LAN Address**:, enter the Hostname (recorded in step 1) in the **Hostname or IP Address**: field. Note that your Hostname entry will be different from what is shown in the image.
  - c Under **Set Protocol**:, select **Socket** and enter the port number.
  - d Under **Verify Connection**:, click **Test This VISA Address** to verify the connection.

Figure 23 Adding a LAN device information in the Keysight Connection Expert 2017

- 6 Once you verify the entered data, click **OK** to complete the process.

- 7 Copy Network Analyzer SICL Address to the Clipboard:
  - a Click the **Instruments** tab of the Keysight Connection Expert 2017.

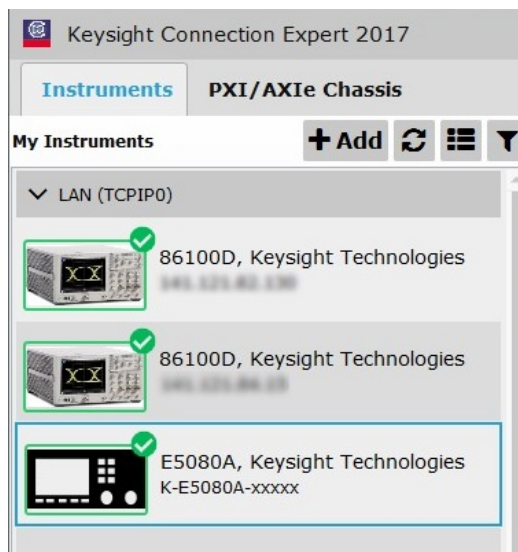


Figure 24 Selecting the connected Network Analyzer for SICL Address information

- b Click the ENA/VNA listing on the left pane, and copy the SICL address using *Ctrl + C* keys. Note that the address on your end will be different from what is shown in the image.

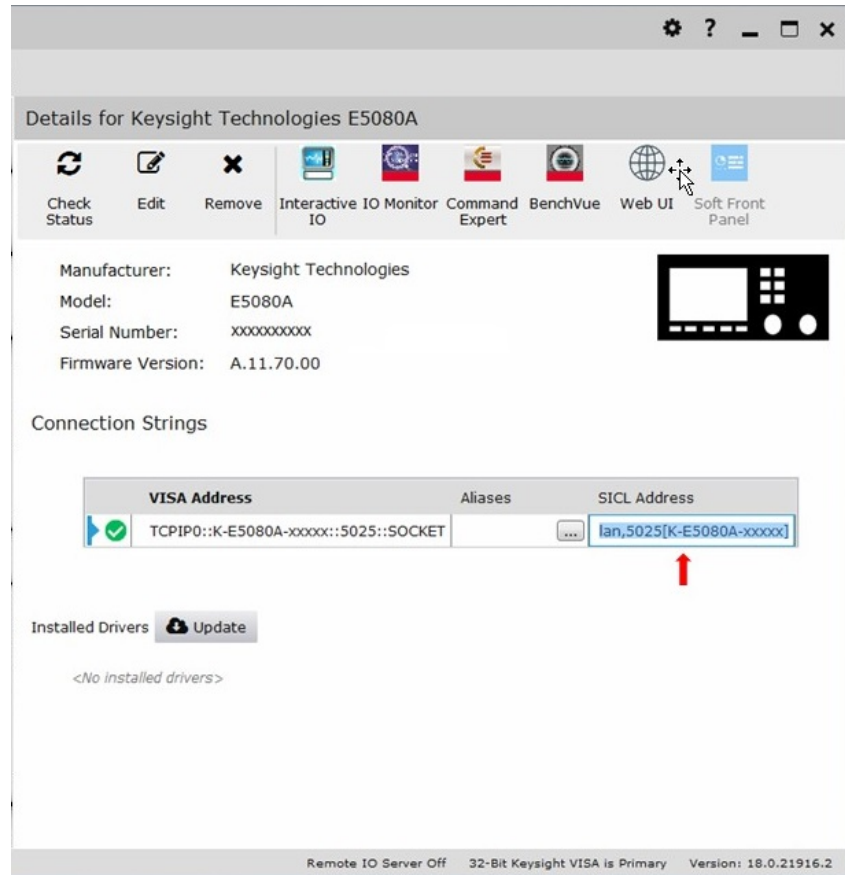


Figure 25 Copying Network Analyzer's SICL Address

- 8 Start the N109310CA SFF-8431 Compliance Test Application. Refer to "Starting the N109310CA SFF-8431 Compliance Test Application" on page 20 for instructions.

## 9 Connect to the Network Analyzer:



Figure 26 Default view of External Instruments area in the N109310CA SFF-8431 Application

- a In the **Name:** field of the **External Instruments** area at the bottom of the N109310CA SFF-8431 application's main window, select either **N4877A/N1076/7A**, **VNA** or **ENA** from the drop-down list, depending on your network analyzer. In the example below, **ENA** is selected.

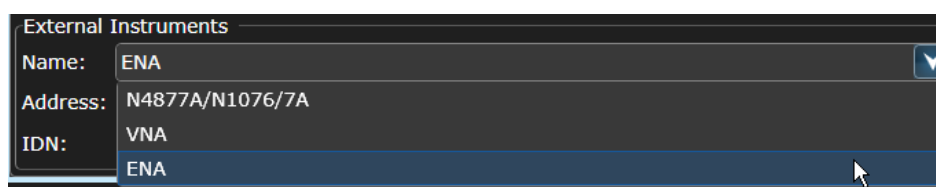


Figure 27 Selecting a Network Analyzer in the N109310CA SFF-8431 Application

- b Click **Connect**. The **Connect to ENA** window appears.

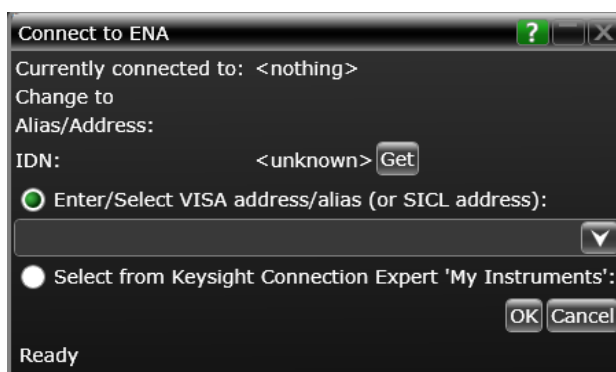


Figure 28 Connecting to the selected Network Analyzer

- c In the **Enter/Select VISA address/alias (or SICL address)** field, paste the SICL address using *Ctrl + V* keys.
- d Click **Get** to confirm the connection.
- e Click **OK** to close the dialog box.
- f The **External Instruments** field displays relevant information once the connection to the selected network analyzer is established.





## 2 Installing N109310CA and N1010A FlexDCA on a PC

Follow the instructions in this chapter when you are installing both the N109310CA SFF-8431 application and the N1010A FlexDCA application on the PC. You must purchase and install a license for the 86100DU-401 or N1010100A.

### NOTE

When you redeem an N109310CA SFF-8431 license, you must select whether to install the application on a supported DCA-X or DCA-M Oscilloscope or a specific PC.

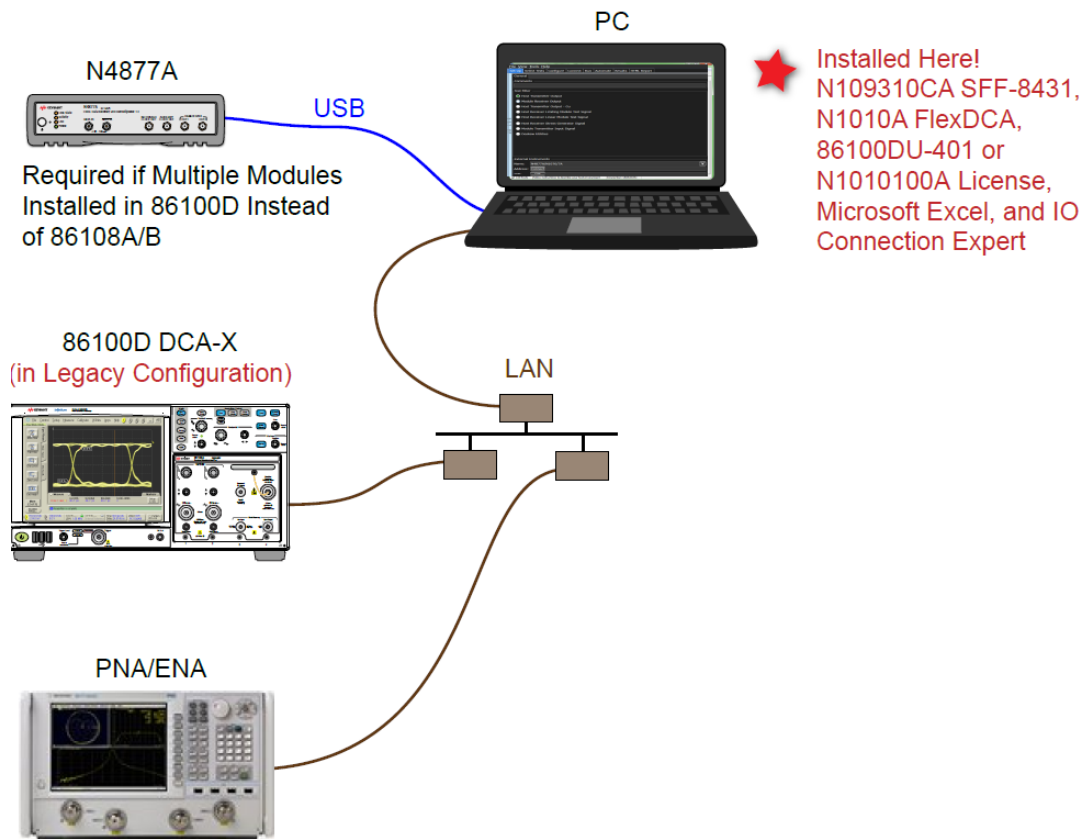


Figure 29 N109310CA and N1010A FlexDCA Installed on PC (using 86100D DCA-X oscilloscope)

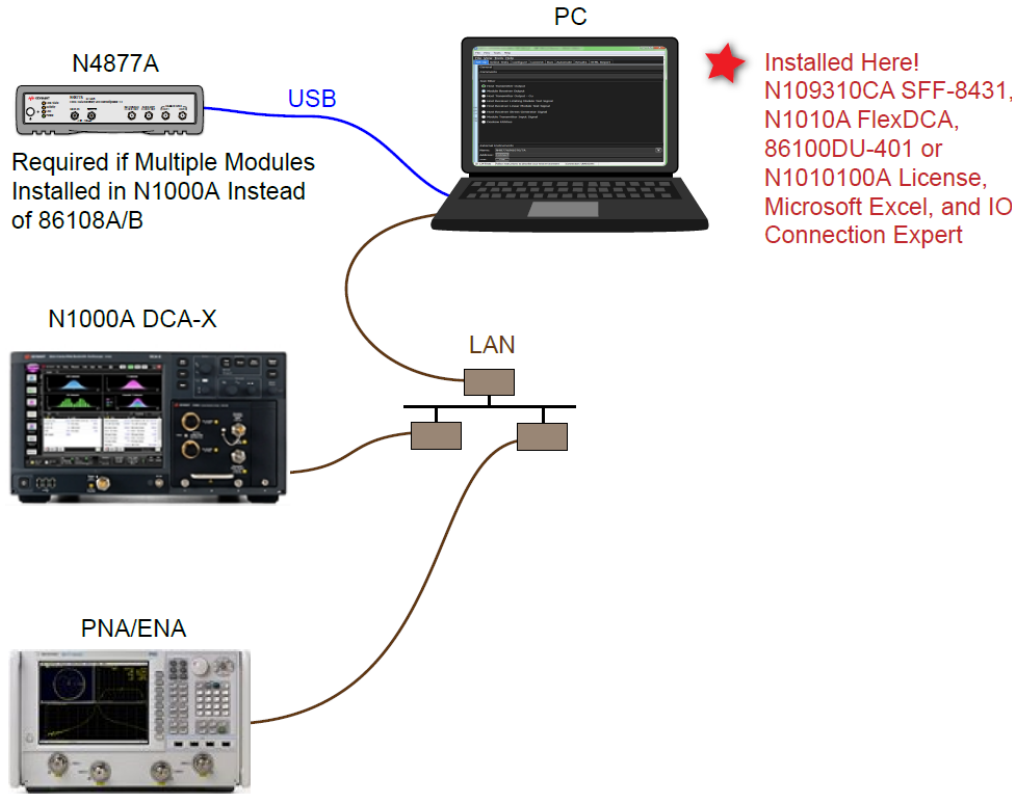


Figure 30 N109310CA and N1010A FlexDCA Installed on PC (using N1000A DCA-X oscilloscope)

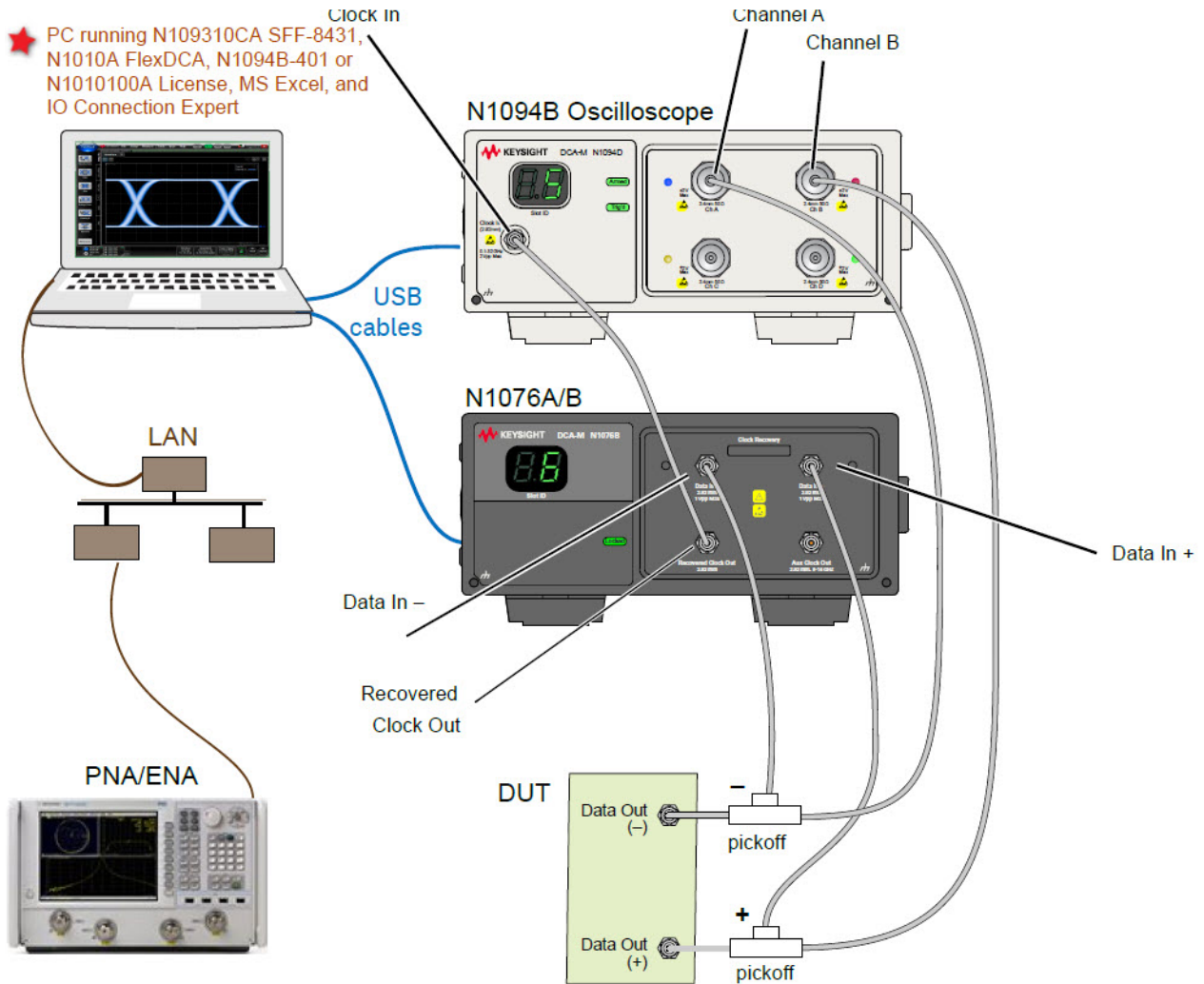


Figure 31 N109310CA and N1010A FlexDCA Installed on PC connected to N1094B DCA-M Oscilloscope

**NOTE**

If you do not connect a network analyzer, you will not be able to perform the S-parameter Tests and Impedance Tests for the following test categories: Host Transmitter Output, Module Receiver Output, Host Receiver Limiting Module Test Signal, Host Receiver Linear Module Test Signal, and Module Transmitter Input Signal.

## Connecting the Equipment

- 1 For a DCA-X oscilloscope, install one of the module combinations listed in [Table 2](#) into the oscilloscope.

**Table 2** Module combinations for DCA-X Oscilloscope

Installed Module Configurations	Single Plug-In Module Setup	Multiple Plug-In Module Setup	Description
86108A/B	Available		The 86108B can have either options LBW or HBW plus 216 or 232.
86112A, 54754A, 86117A, or 86118A-H01 86107A (any option) N4877A, N1076 A/B, N1077A, N1078A Clock Data Recovery Options 216/232* N1045A, N1045B, N1055A, N1046A 75/85/100 GHz, N1060A		Available	Option 216 provides a maximum data rate of 16 Gb/s. Option 232 provides a maximum data rate of 32 Gb/s.

\* If you have access to the clock for the device, you can connect the clock to the oscilloscope's **Trigger** input *instead* of using the CDR.

- 2 For a DCA-M oscilloscope, keep in mind the information in the following table.

**Table 3** Supported configurations for DCA-M Oscilloscope

Configurations for DCA-M	Requires N107x
N1094A	√ (N107xA-232)
N1094B	√ (N107xA-232)
N1092 C/E	√ (N107xA-232)

- 3 Connect the equipment as shown in the connection diagrams above and power on all of the instruments.
- 4 Install Microsoft Excel on the PC.

## Installing the I/O Library Suite

- 1 Navigate to [www.keysight.com/find/iosuite](http://www.keysight.com/find/iosuite) and download the Keysight I/O Library Suite.

### NOTE

Keysight's I/O Library Suite is free software that automatically detects instruments connected to your PC and configures the interfaces. It reduces the overall setup and configuration time. The N109310CA SFF-8431 Compliance Test Application requires I/O Libraries Suite 16.3 or higher.

- 2 Install the I/O Library Suite on the PC.

## Installing the N1010A FlexDCA Application

Follow the steps below to install the N1010A FlexDCA Software and its license as well as the license for the 86100DU-401.

- 1 Search for N1010A FlexDCA Software from the Keysight website.
- 2 Download the installer file and install the application on the PC for which you have redeemed the license.

### NOTE

When you redeem an N1010A FlexDCA Remote Access Software license, you must specify the information for the PC, where the software will be installed for remotely accessing the Oscilloscope.

- 3 Save the license file that you received from Keysight in a folder on the local disk or in an accessible memory device.
- 4 From the Windows **Start** menu, click **All Programs>Keysight License Manager** to launch the Keysight License Manager.

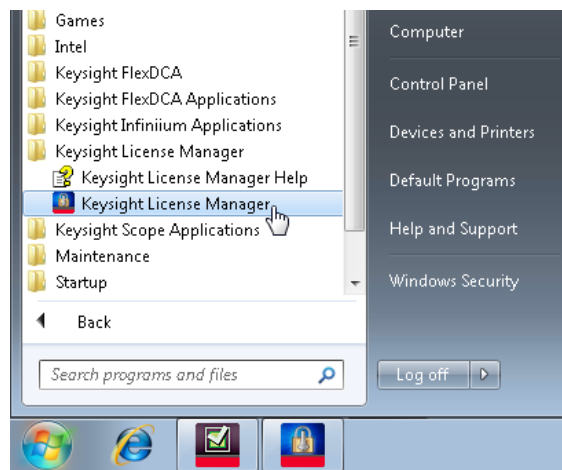


Figure 32 Launching Keysight Connection Expert from the Start menu

### NOTE

Keysight License Manager version 5.1 (and higher) have a different user interface than version 5.0 (or earlier). Even though the path to launch the Keysight License Manager is the same for both versions, refer to the *Keysight License Manager Online Help* for the respective versions to find more information about the functionality of the application.

To install the N1010A FlexDCA Software license using Keysight License Manager version 5.1 or higher

- 1 Click the **Tools** icon on the top-right corner of the Keysight License Manager window.

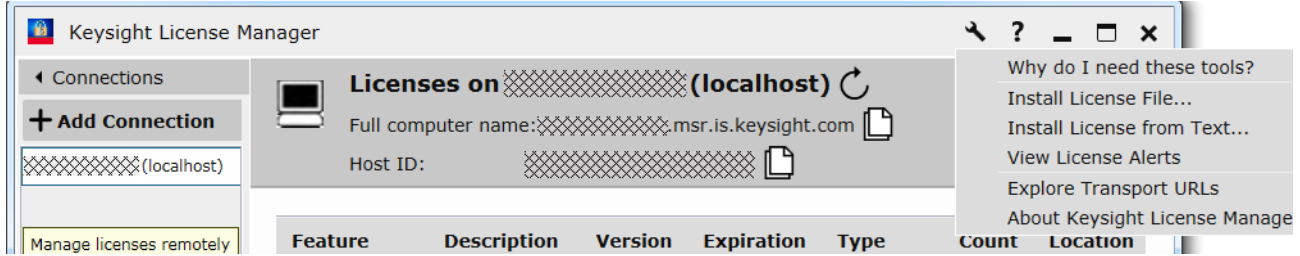


Figure 33 Installing license file on Keysight License Manager version 5.1 & above

- 2 Click **Install License File...**. The **Select License File(s) to Install on <PC Hostname>** appears.

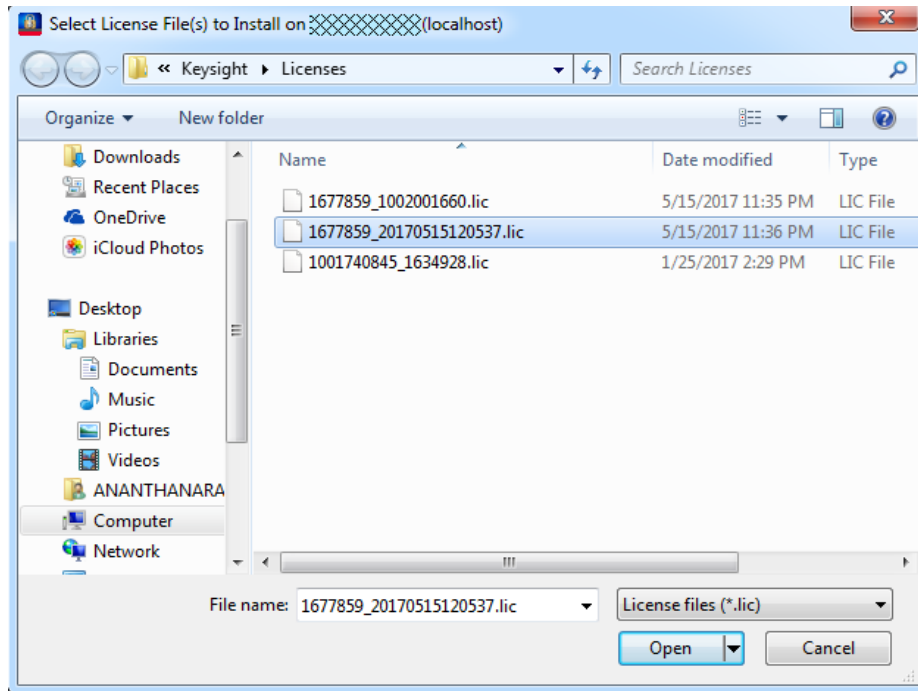


Figure 34 Selecting license file from the folder

- 3 Navigate to the folder where the N1010A FlexDCA Software licenses are saved.
- 4 Select the license and click **Open**. The license files are installed and an entry is displayed in the Keysight License Manager.

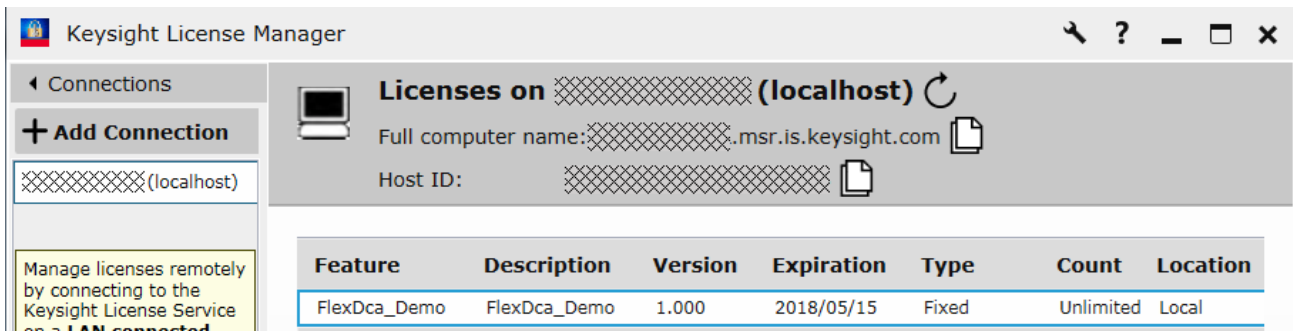


Figure 35 Licenses displayed in Keysight License Manager version 5.1 & above

5 Close the Keysight License Manager.

To install the N1010A FlexDCA Software license using Keysight License Manager version 5.0 or earlier

- 1 From the Keysight License Manager window’s main menu, click **File>Install...** or right-click within the left pane of the Keysight License Manager window and select **Install...**

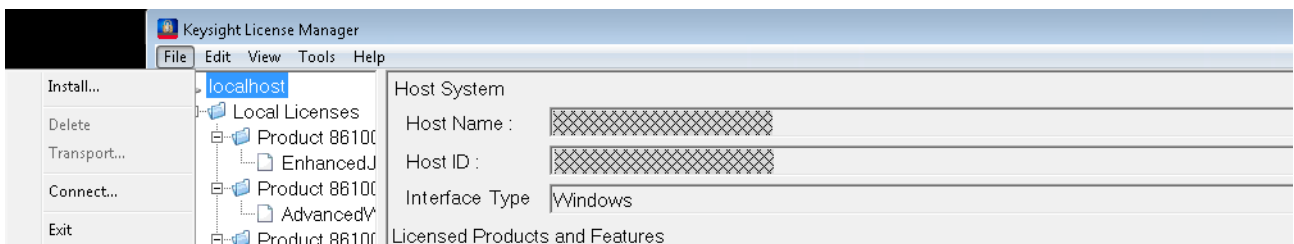


Figure 36 Installing license file on Keysight License Manager version 5.0 or earlier

2 Installing N109310CA and N1010A FlexDCA on a PC

2 The **Install License File(s)** dialog box appears.

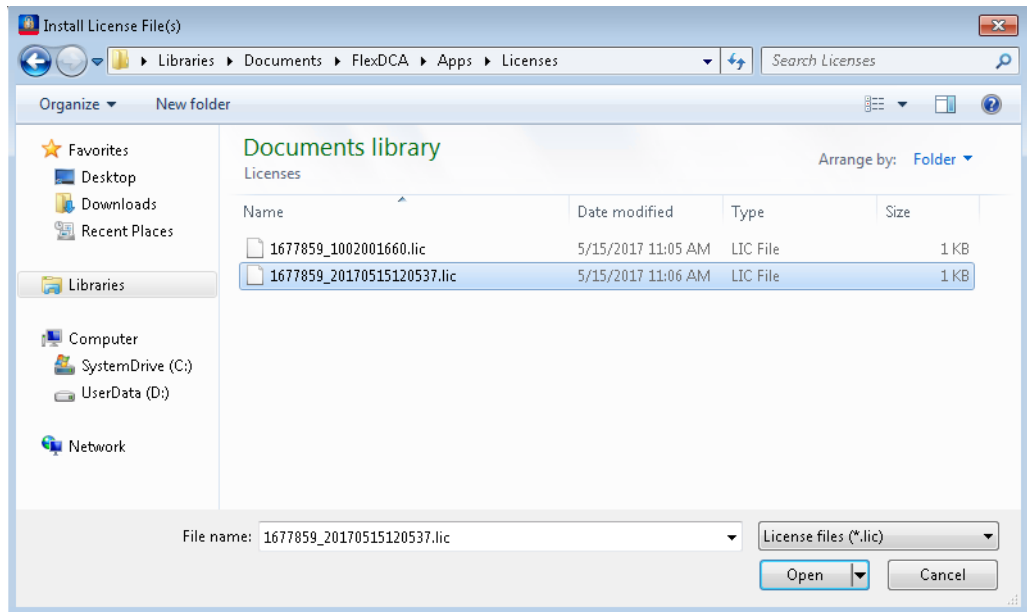


Figure 37 Selecting license file from the folder

3 Navigate to the folder where the N1010A FlexDCA Software licenses are saved.



- 4 Select the license and click **Open**. The license files are installed and an entry is displayed in the Keysight License Manager.

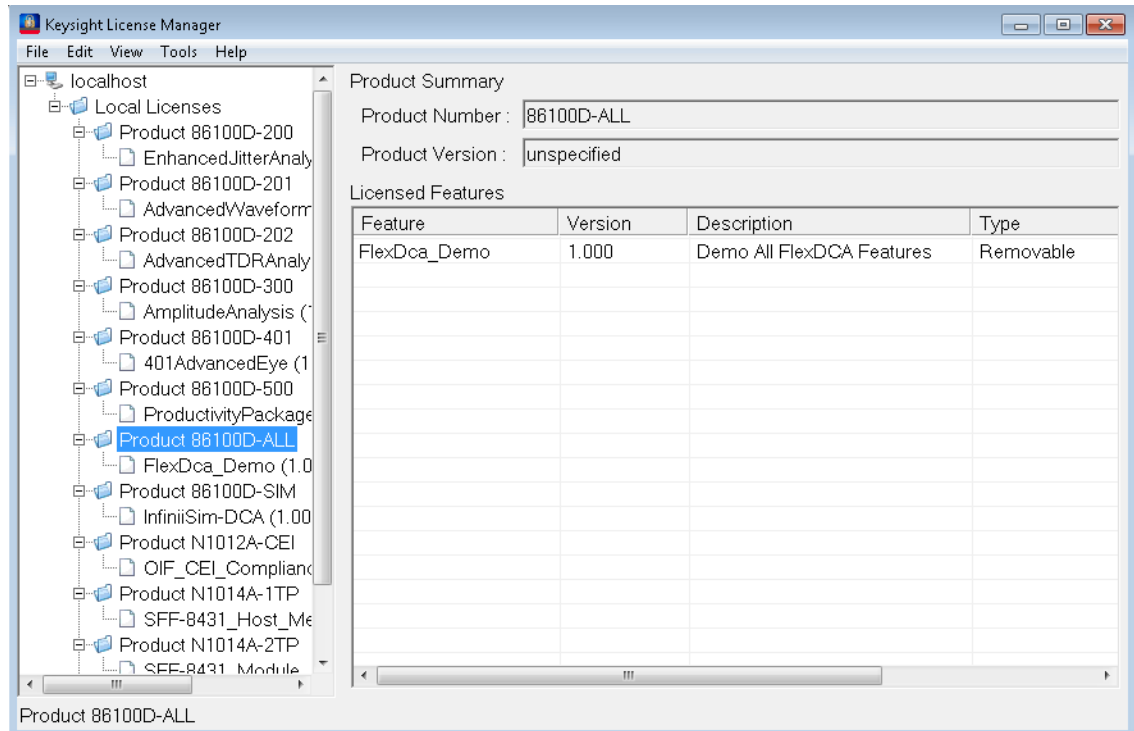


Figure 38 Licenses displayed in Keysight License Manager version 5.0 or earlier

- 5 Close the Keysight License Manager.

## Installing the N109310CA SFF-8431 Compliance Test Application

Follow the steps below to install the N109310CA SFF-8431 Compliance Test Application and its license as well as the license for the 86100CU-401 or N1010100A. A version of the 86100CU-401 is automatically installed for use with the N109310CA.

### NOTE

If you plan to run all of the N109310CA tests, the N109310CA license will suffice. If using older licenses, host testing requires option N1014A-HST and Module Testing requires option N1014A-MOD.

- 1 Search for the N109310CA SFF-8431 Compliance Test Application on the Keysight website.
- 2 Download the installer file and install the application on the PC for which you have redeemed the license.

### NOTE

When you redeem an N109310CA SFF-8431 license, you must select whether to install the application on the Oscilloscope or a specific PC.

- 3 Save the license file that you received from Keysight in a folder on the local disk or in an accessible memory device.
- 4 If not already done, purchase an 86100DU-401, N109x-401, or N1010100A license. Save the license file that you received from Keysight in a folder on the local disk or in an accessible memory device.
- 5 If the N1010A FlexDCA is running on your PC, close FlexDCA.
- 6 From the Windows **Start** menu, click **All Programs>Keysight License Manager** to launch the Keysight License Manager.

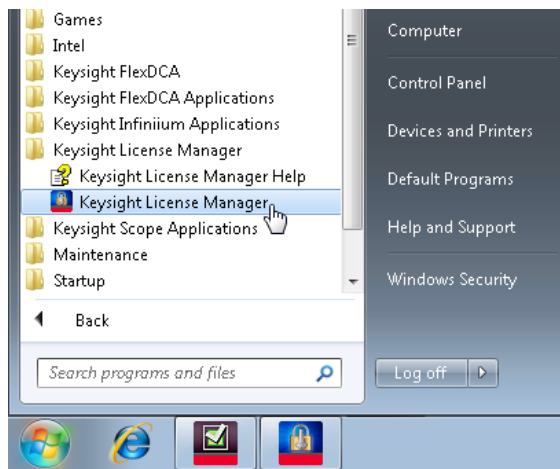


Figure 39 Launching Keysight Connection Expert from the Start menu

### NOTE

Keysight License Manager version 5.1 (and higher) have a different user interface than version 5.0 (or earlier). Even though the path to launch the Keysight License Manager is the same for both versions, refer to the *Keysight License Manager Online Help* for the respective versions to find more information about the functionality of the application.

To install the N109310CA SFF-8431 Compliance Test Application's license using Keysight License Manager version 5.1 or higher

- 1 Click the **Tools** icon on the top-right corner of the Keysight License Manager window.

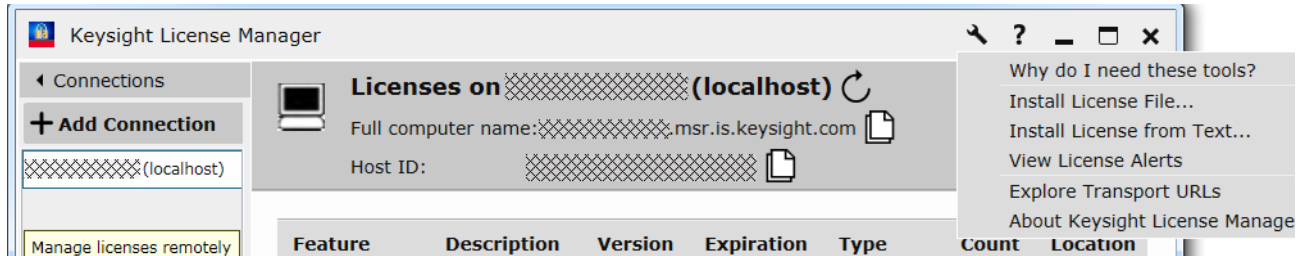


Figure 40 Installing license file on Keysight License Manager version 5.1 & above

- 2 Click **Install License File....** The **Select License File(s) to Install on <PC Hostname>** appears.

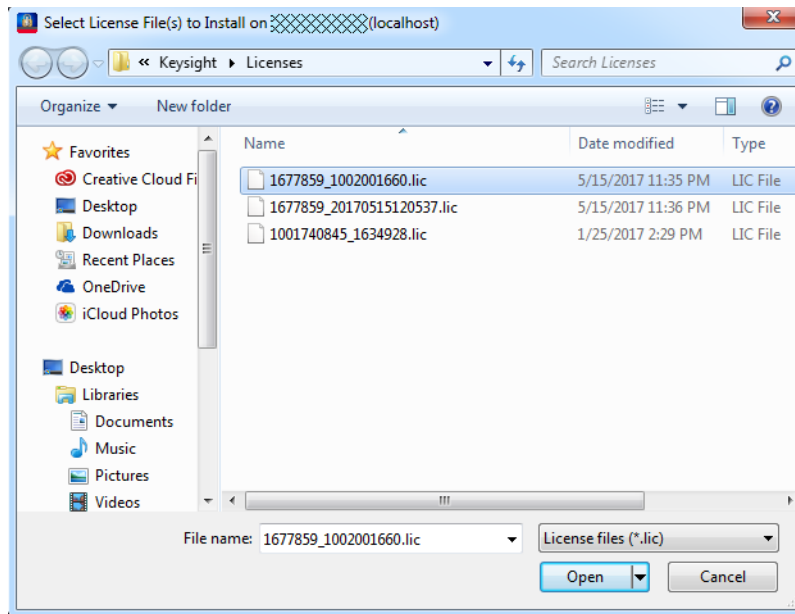


Figure 41 Selecting license file from the folder

- 3 Navigate to the folder where the N109310CA SFF-8431 licenses are saved.
- 4 Select the license and click **Open**. The license files are installed and an entry is displayed in the Keysight License Manager.

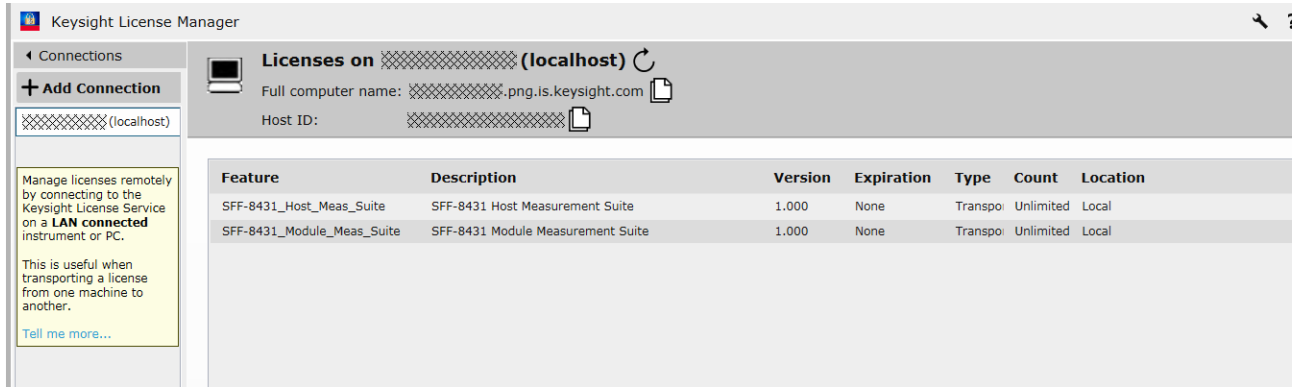


Figure 42 Licenses displayed in Keysight License Manager version 5.1 & above

5 Close the Keysight License Manager.

To install the N109310CA SFF-8431 Compliance Test Application’s license using Keysight License Manager version 5.0 or earlier

- 1 From the Keysight License Manager window’s main menu, click **File>Install...** or right-click within the left pane of the Keysight License Manager window and select **Install...**

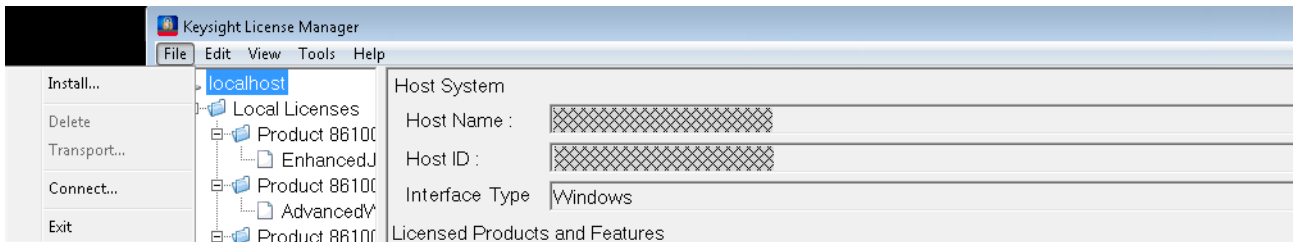


Figure 43 Installing license file on Keysight License Manager version 5.0 or earlier

- 2 The **Install License File(s)** dialog box appears.

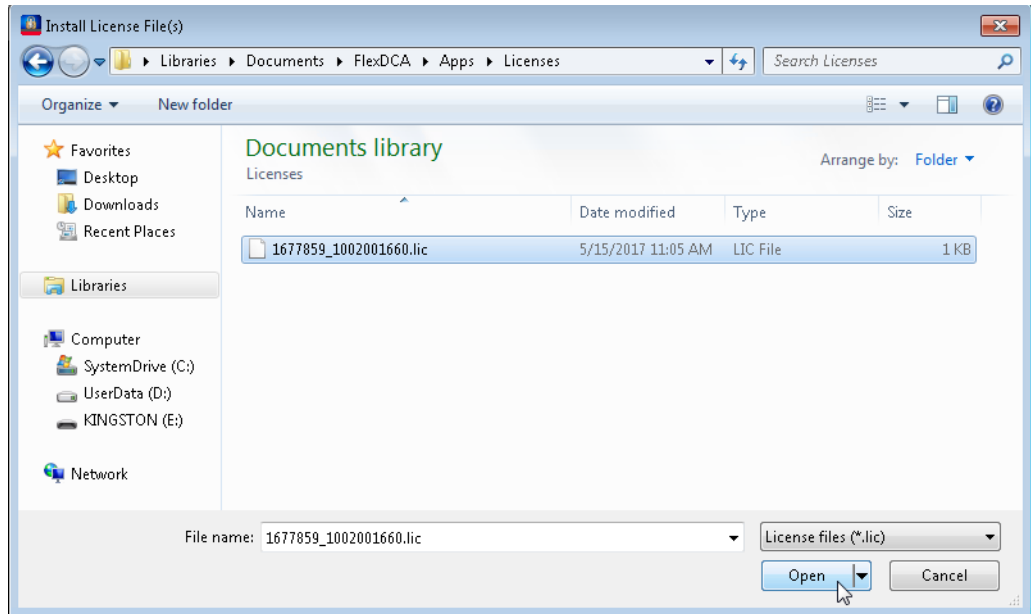


Figure 44 Selecting license file from the folder

- 3 Navigate to the folder where the N109310CA SFF-8431 licenses are saved.
- 4 Select the license and click **Open**. The license files are installed and an entry is displayed in the Keysight License Manager.

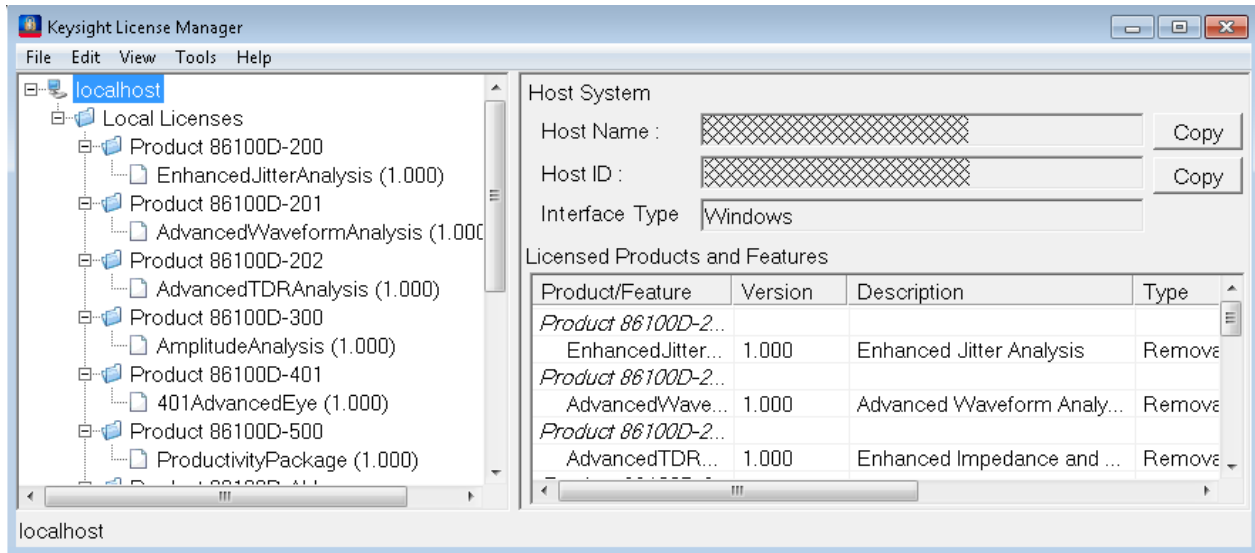


Figure 45 Licenses displayed in Keysight License Manager version 5.0 or earlier

- 5 Close the Keysight License Manager.

## Connecting N1010A FlexDCA to 86100D or N1000A

### NOTE

This section lists the steps for 86100D DCA-X oscilloscope. Perform similar steps for the N1000A DCA-X oscilloscope.

### NOTE

If you are using the N1010A FlexDCA Software on your PC to launch the N109310CA SFF-8431 Compliance Test Application, make sure that the Oscilloscope and your PC are connected to the LAN.

- 1 On the 86100D Oscilloscope, launch the Keysight FlexDCA application.
- 2 From the FlexDCA's main menu, click **Help > About FlexDCA....** The **About 86100D** dialog box appears.
- 3 In the **System Information** area, scroll down to view the **Computer Name** entry. Alternatively, you can obtain the computer name from the Windows **System** properties.

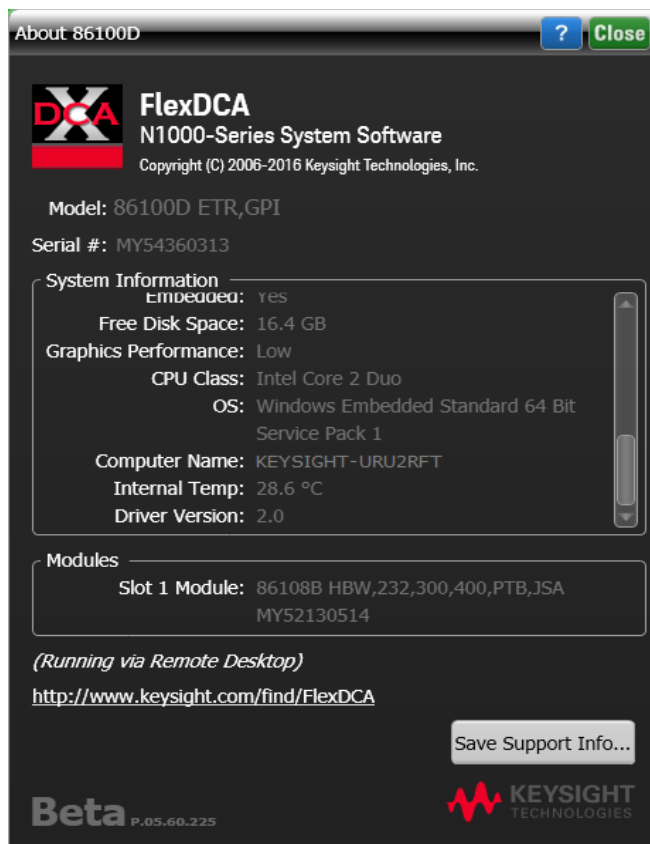


Figure 46 86100D Oscilloscope's hostname

- 4 Record the Computer Name (corresponds to hostname) as you will need this name later in this procedure.

86100D Computer Name: \_\_\_\_\_

- 5 Close the **About 86100D** dialog box.

**NOTE**

If you are accessing the 86100D Oscilloscope's FlexDCA interface remotely on your PC using any remote connectivity applications, Keysight recommends closing the remote-connection application before you try establishing connectivity between FlexDCA Software and the remote 86100D Oscilloscope.

- 6 On the Windows **Start** menu on your PC, click **All Programs>Keysight FlexDCA>Keysight FlexDCA** to launch the N1010A FlexDCA Software.

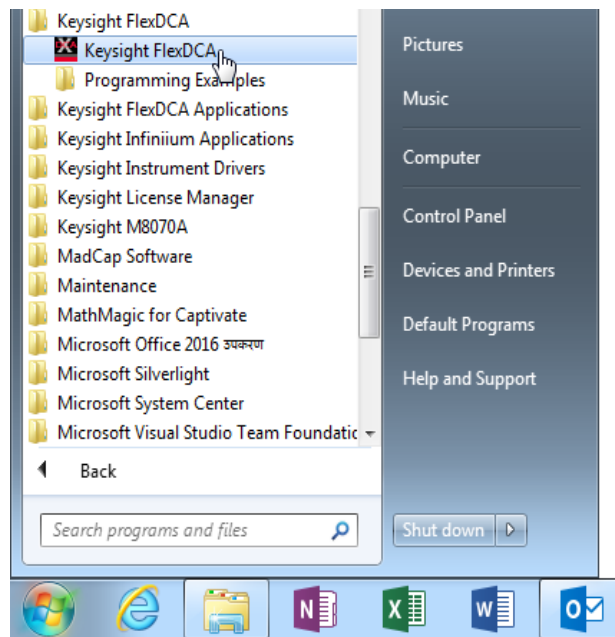


Figure 47 Launching the N1010A FlexDCA Software on PC

- 7 When FlexDCA starts, the **Extended Module Configuration** window is displayed automatically. Click **Connect** if the 86100D Oscilloscope's Hostname is already displayed else click **Setup**.



Figure 48 Extended Module Configuration dialog box for connecting N1010A FlexDCA to 86100D

If the **Extended Module Configuration** window does not appear, from the FlexDCA interface's main menu, click **Setup>DCA Connection Setup**.



- 8 On the **FlexDCA Connection Setup** dialog box,
  - a Ensure that **LAN** is selected in the **Connect Using:** area.
  - b Enter the 86100D's **Hostname** that you recorded in [step 4](#).Alternatively, you may also enter the IP Address of the remote 86100D Oscilloscope.

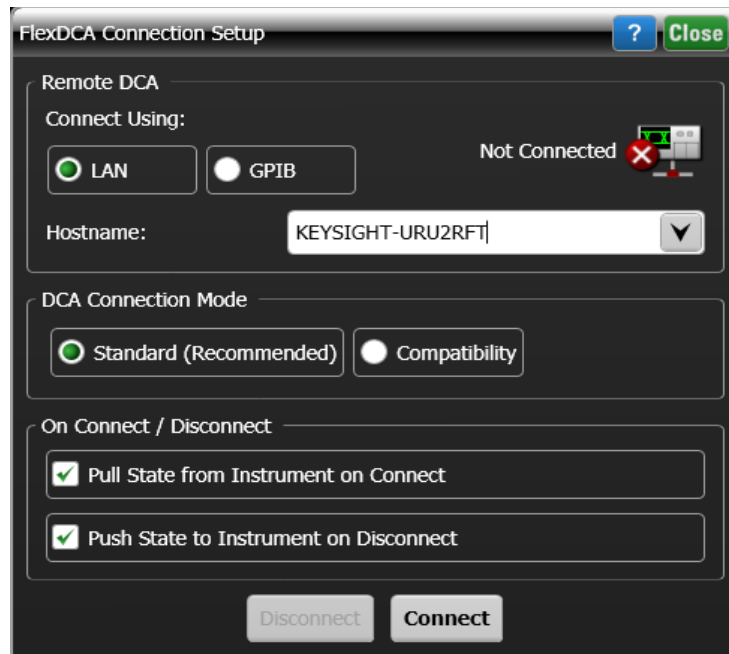


Figure 49 N1010A FlexDCA Connection Setup to connect to 86100D Oscilloscope

- 9 Click **Connect**.

If connection is established successfully, the **FlexDCA Connection Setup** dialog box displays status as **Connected**.

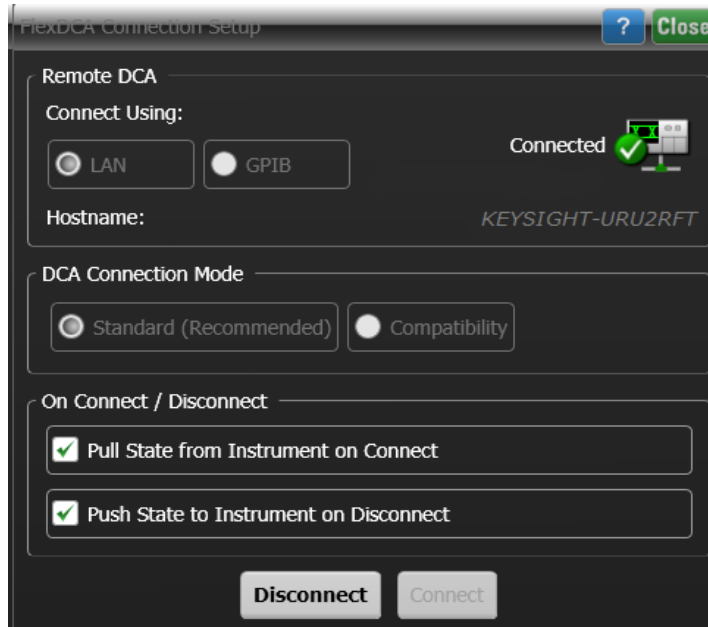


Figure 50 86100D Oscilloscope connection status on the FlexDCA Connection Setup

- 10 Click **Close** to exit the **FlexDCA Connection Setup** dialog box.
- 11 Click **Close** to exit the **Extended Module Configuration** window.

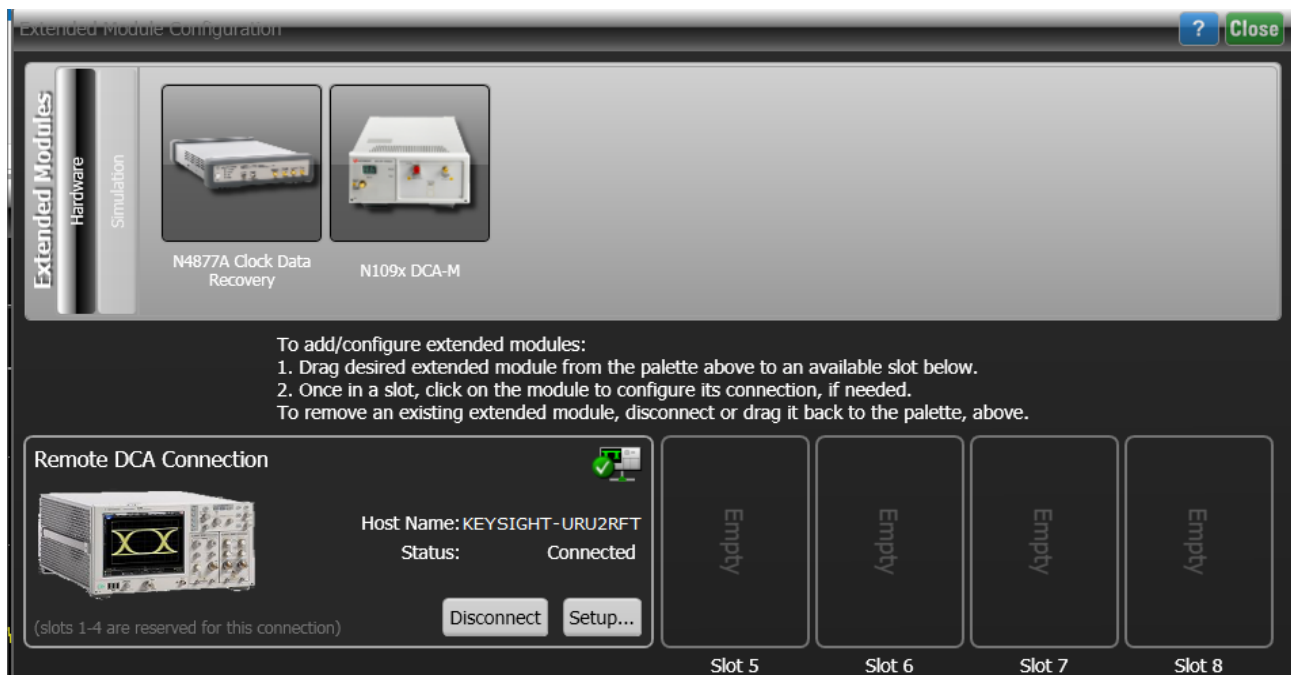


Figure 51 86100D Oscilloscope connection status on the Extended Module Configuration window

- 12 Once the connection is established, you may proceed to launch the N109310CA SFF-8431 Compliance Test Application on your PC.

## Connecting N1010A FlexDCA to N109X Oscilloscope and N107X

Perform the following steps to connect your N109X oscilloscope with N107X clock data recovery using FlexDCA:

- 1 Launch FlexDCA.
- 2 When FlexDCA starts, the **Extended Module Configuration** window is displayed automatically. If the **Extended Module Configuration** window does not appear, from the FlexDCA interface's main menu, click **Setup>Configure Extended Modules...**
- 3 Configure Slot 7 to be the N109X module.
- 4 Configure Slot 8 to be the N107X module.
- 5 Remove any other N109X/N107X that is configured for Slot 5 and Slot 6.



- 6 Click **Close** to exit the **Extended Module Configuration** window.
- 7 Once the connection is established, you may proceed to launch the N109310CA SFF-8431 Compliance Test Application on your PC.

## Starting the N109310CA SFF-8431 Compliance Test Application

After you install the N109310CA SFF-8431 Compliance Test Application on a PC along with the N1010A FlexDCA interface, start the N109310CA SFF-8431 Compliance Test Application in one of the following ways:

### Access the N109310CA SFF-8431 Compliance Test Application directly from the Start menu

Refer to “Starting the N109310CA SFF-8431 Compliance Test Application” on page 79, where the procedure to start the application directly (that is, without launching the N1010A FlexDCA Software) is described.

### Access the N109310CA SFF-8431 Compliance Test Application using the N1010A FlexDCA Software on your PC

- 1 Ensure that the N1010A FlexDCA Software is connected to the Oscilloscope. Refer to “Connecting N1010A FlexDCA to 86100D or N1000A” on page 46.
- 2 After a connection between the N1010A FlexDCA Software and the Oscilloscope is established, the N1010A FlexDCA Software on your PC may indicate that it is remotely controlled, as shown in Figure 52.

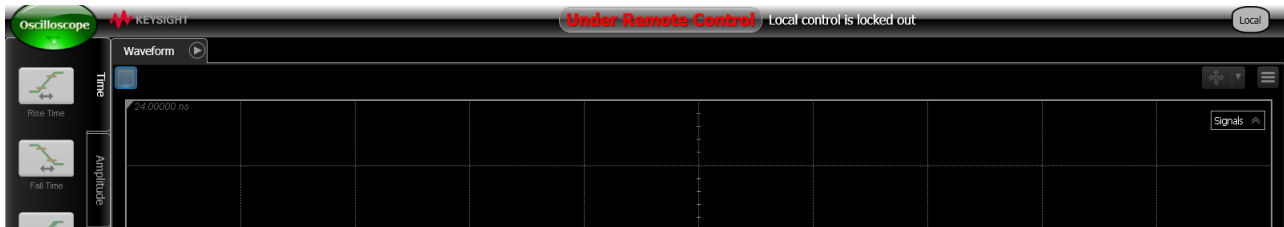


Figure 52 N1010A FlexDCA under Remote Control

To view the N1010A FlexDCA's main menu, click the **Local** button (towards the upper right corner).

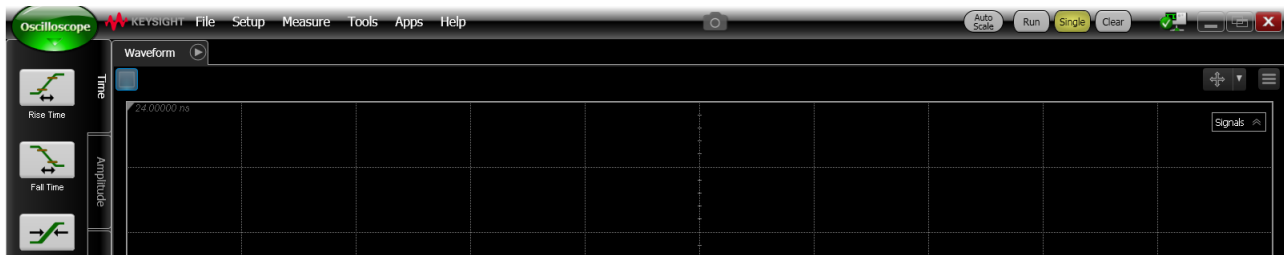


Figure 53 N1010A FlexDCA free from Remote Control

- 3 From the FlexDCA's main menu, click **Apps>Automated Test Apps>N109310CA SFF-8431**.
- 4 The N109310CA SFF-8431 Compliance Test Application banner appears.  
Afterwards, the default view of the N109310CA SFF-8431 Compliance Test Application appears.

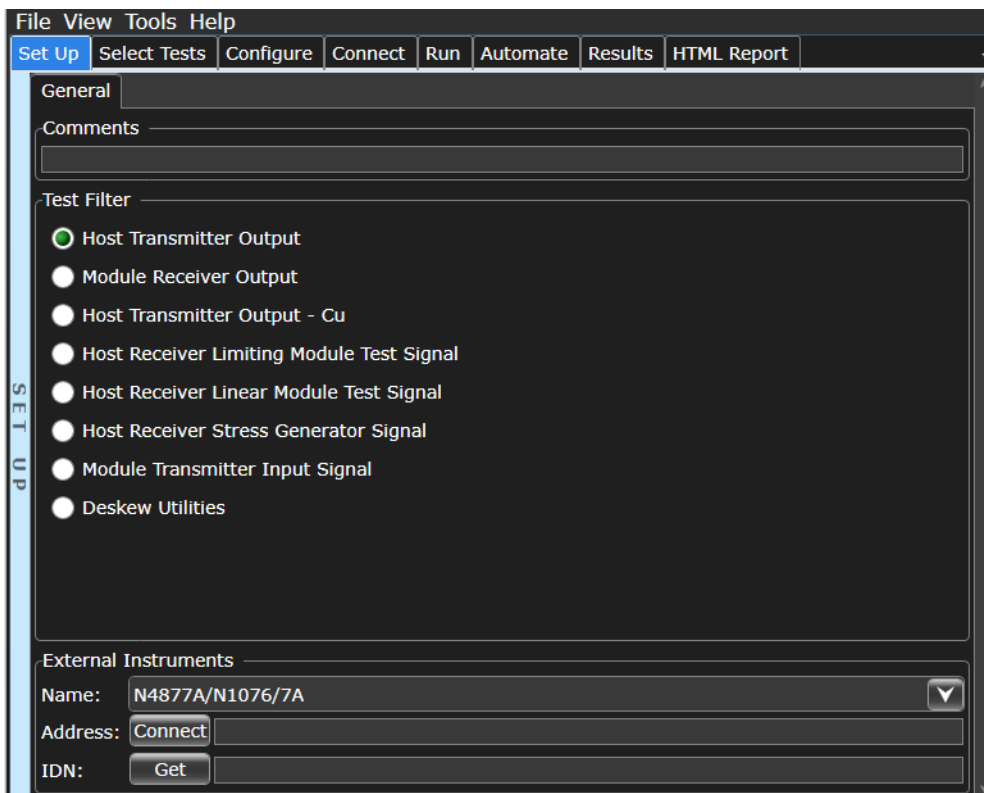


Figure 54 Default window of the N109310CA SFF-8431 Compliance Test Application

## Connecting to the Network Analyzer

Refer to “Connecting to External Instruments” on page 21 for connecting to the network analyzer you are using.

### NOTE

It is recommended to connect VNA/ENA through VNC for S-parameter tests in order to allow the test application to capture and include required measurement screen-shots in the HTML Report.

### Configuring the Network Analyzer on the N109310CA SFF-8431 Application

After you establish a connection with a network analyzer, you must configure certain settings to run the S-parameter and Impedance Tests on the N109310CA SFF-8431 Compliance Test Application.

- 1 In the N109310CA SSF-8431 Compliance Test Application, click the **Configure** tab.
- 2 With the **Mode:** option set to **Compliance** (for compliance testing), select **Source for S-parameter values** on the left pane.
- 3 In the corresponding **Settings For:** pane, select the type of network analyzer that is connected.

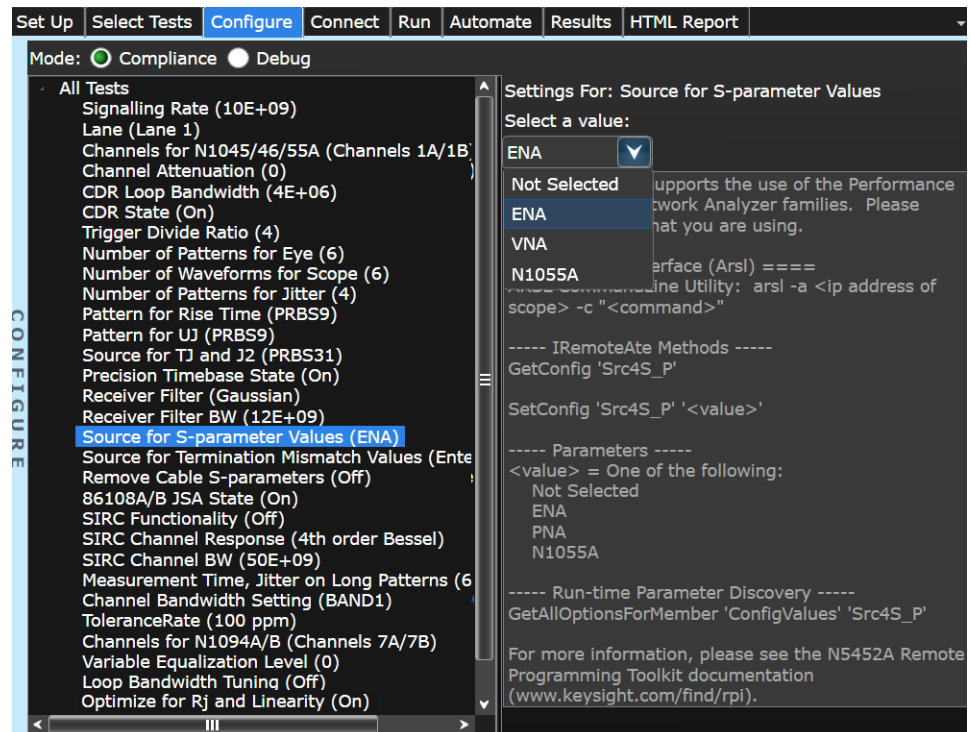


Figure 55 Configuring S-parameter value source

- 4 Select **Source for Termination Mismatch Values** on the left pane.
- 5 Select **ENA** if you are using an ENA. For VNA, select **Enter Manually**.

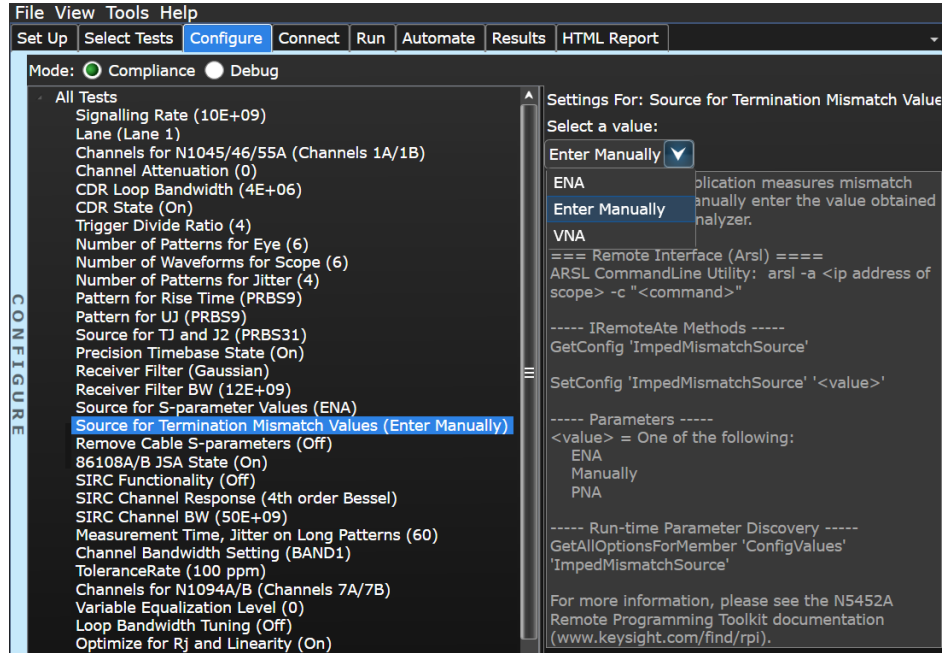


Figure 56 Configuring Termination Mismatch value source

The setup of the N109310CA SFF-8431 Compliance Test Application with N1010A FlexDCA installed on PC is now complete. You may begin to select, setup, and run compliance tests. Refer to *Keysight N109310CA SFF-8431 Compliance Test Application Online Help* to understand the functionality of the application to run tests.



## Installing WDP Measurement Script

This step is required before you can perform the following TWDP (Transmitter Waveform Dispersion Penalty) test, which is selected under the “Host Transmitter Output - Cu” tests in the application:

- Output TWDPc - Host Cu

This step is also required for the following WDP (Waveform Dispersion Penalty) test, which is selected under the “Host Receiver Stress Generator Signal” tests in the application:

- WDP of ISI Gen - Host Stress Gen

1 On your PC’s web browser, go to the following site:

**<https://ta.snia.org/higherlogic/ws/public/documents>**

2 On this site, locate and open the **SFF-8431.PDF** file.

3 In the document, go to *APPENDIX G MATLAB CODE FOR TWDP*.

4 Copy the script and place it in a text editor.

5 Comment out line 40 and add a new line after line 40. The two lines should look like the following:

```
%% TXDataFile = 'prbs9_950.txt';  
TXDataFile = 'C:\Temp\XmitBits.csv';
```

6 Compile the WDP script file in a 32-bit MATLAB (Version 2009a & above) to create an executable to run on the 86100D or PC.

7 Name the executable file **SFF8431xWDP.exe**, and save the file in the following folder:

```
C:\ProgramData\Keysight\N5467A\User Defined Application\uda\  
distrib_CSIDL_COMMON_APPDATA\App\ExternalAppScripts\SFF8431xWDP.exe
```



# 3 Installing N109310CA on a PC Without N1010A FlexDCA

Follow the instructions in this chapter when you are installing the N109310CA SFF-8431 application on a PC, but you are *not* installing the N1010A FlexDCA application on the same PC. You must purchase and install a license for the 86100DU-401 or N1010100A.

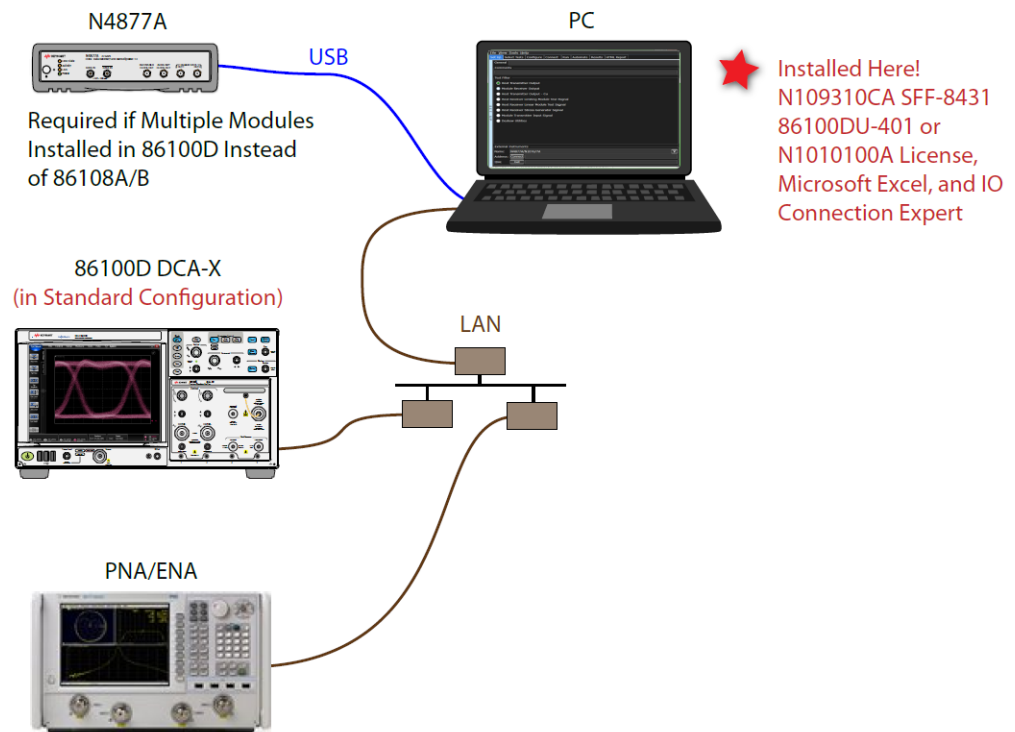


Figure 57 N109310CA Installed on PC Without N1010A FlexDCA connected to 86100D DCA-X Oscilloscope

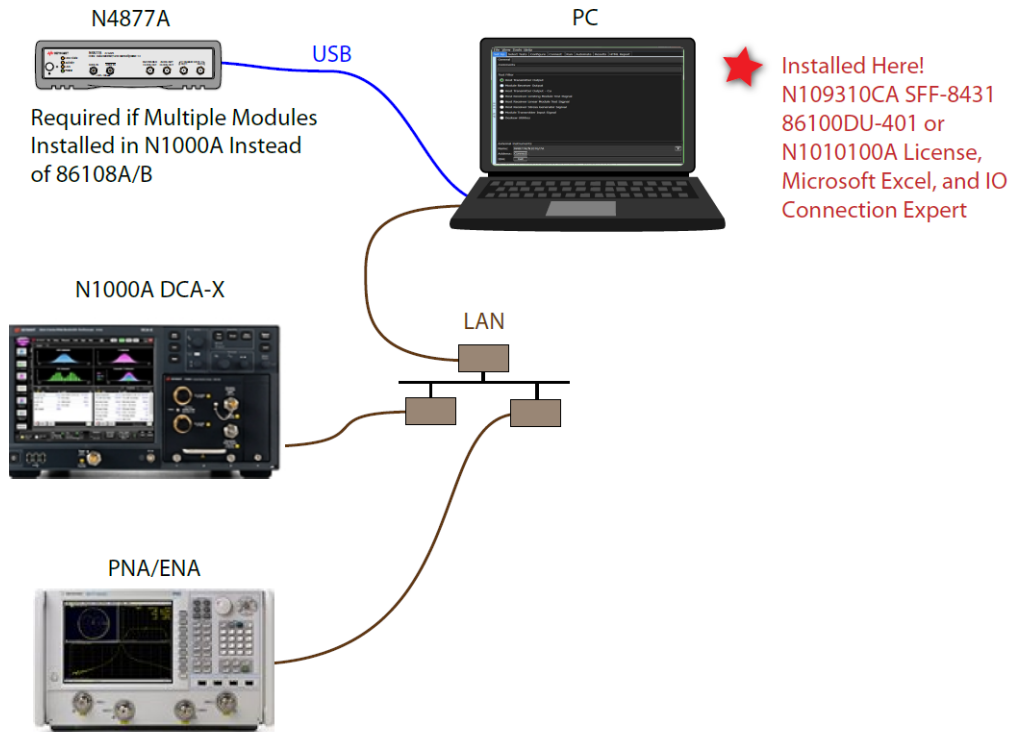


Figure 58 N109310CA Installed on PC Without N1010A FlexDCA connected to N1000A DCA-X Oscilloscope

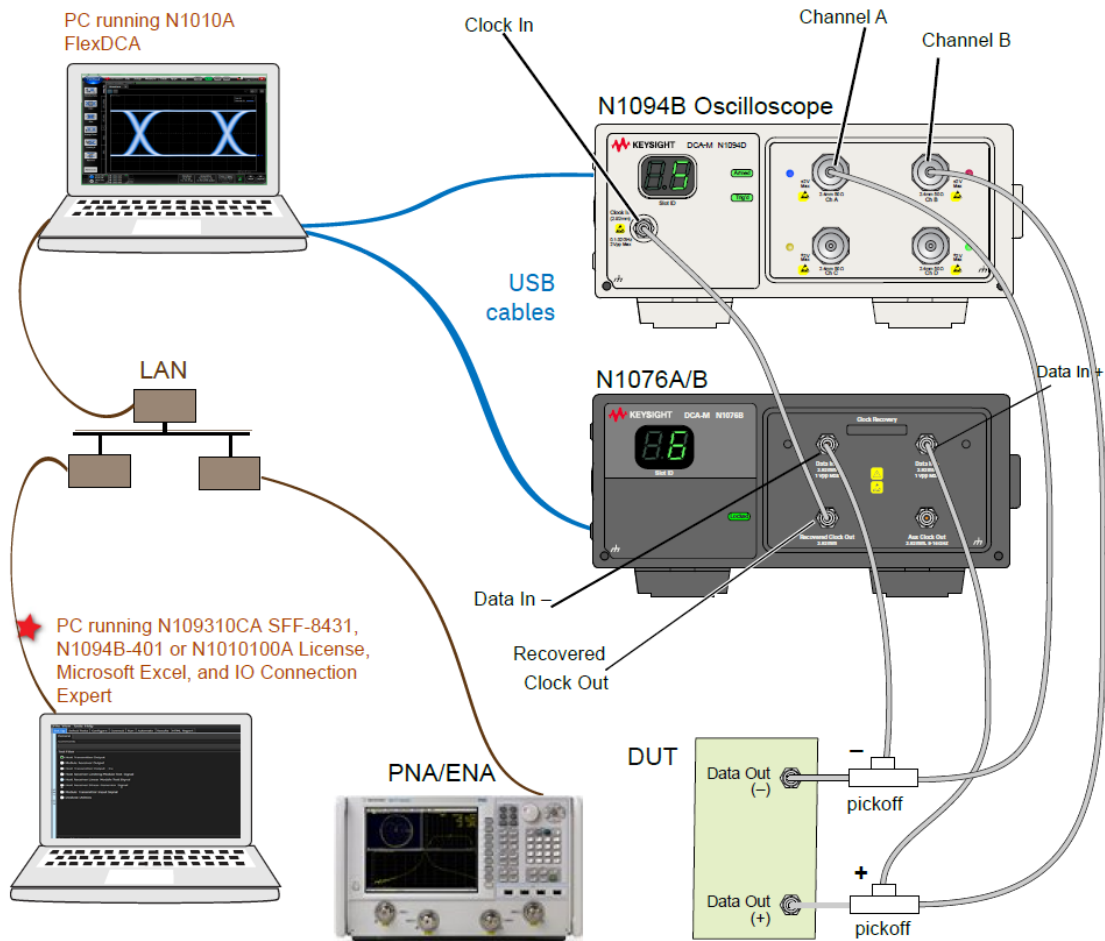


Figure 59 N109310CA Installed on PC Without N1010A FlexDCA connected to N1094B DCA-M Oscilloscope via another PC

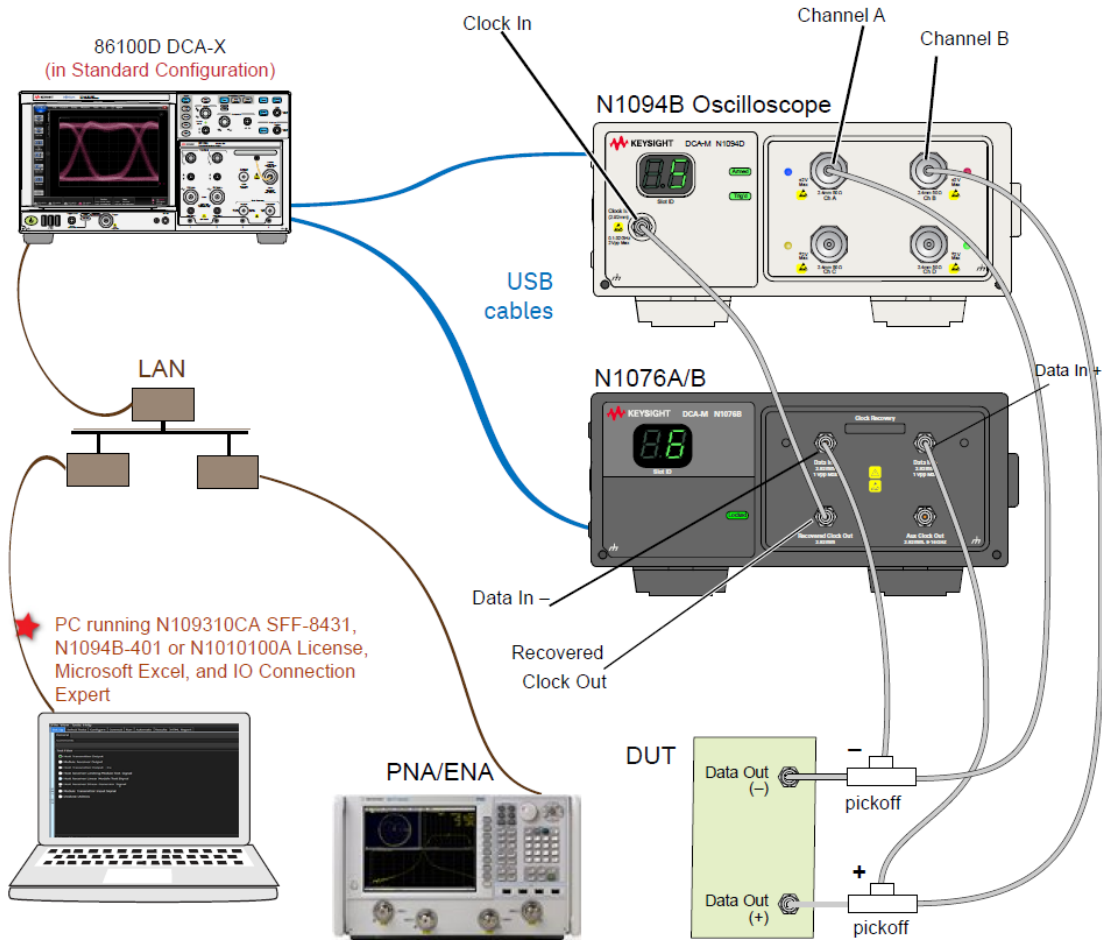


Figure 60 N109310CA Installed on PC Without N1010A FlexDCA connected to N1094B DCA-M Oscilloscope via 86100 DCA-X Oscilloscope

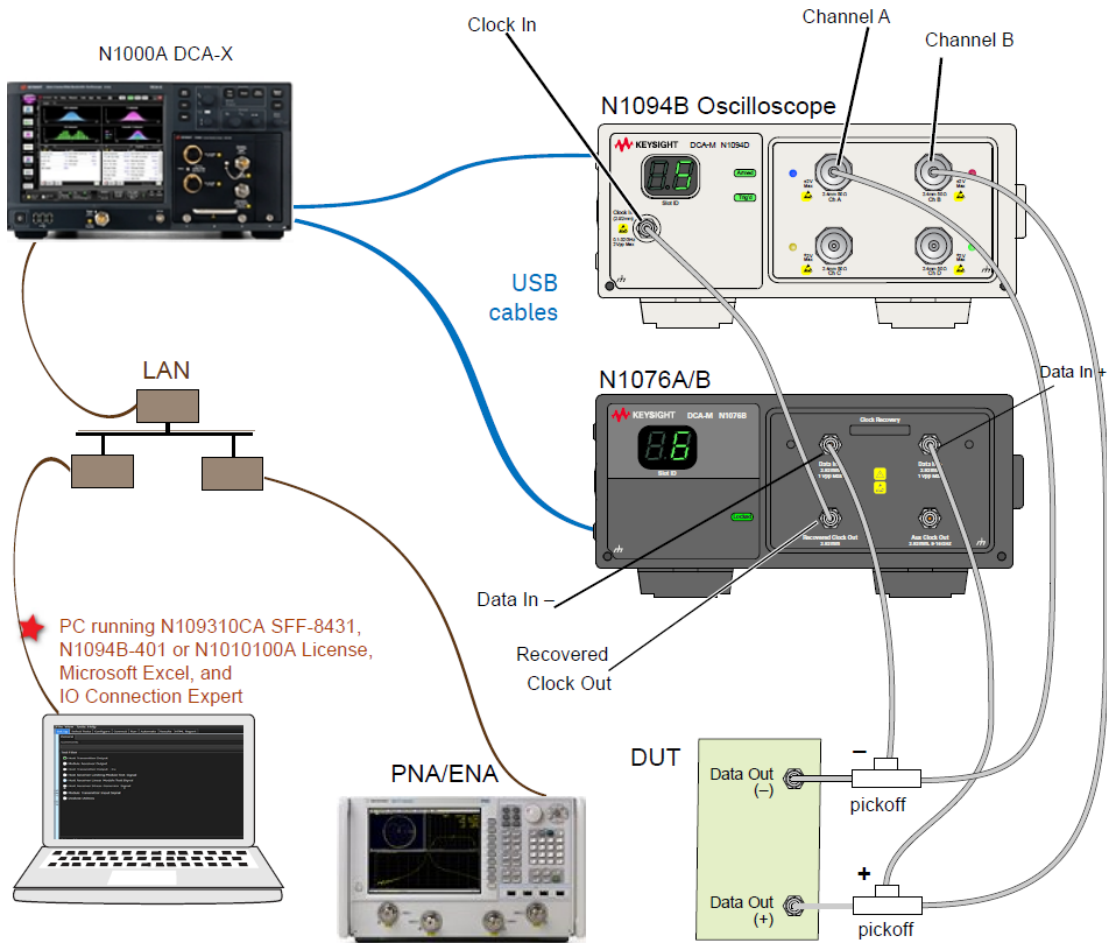


Figure 61 N109310CA Installed on PC Without N1010A FlexDCA connected to N1094B DCA-M Oscilloscope via N1000A DCA-X Oscilloscope

**NOTE**

If you do not connect a network analyzer, you will not be able to perform the S-parameter Tests and Impedance Tests for the following test categories: Host Transmitter Output, Module Receiver Output, Host Receiver Limiting Module Test Signal, Host Receiver Linear Module Test Signal, and Module Transmitter Input Signal.

## Connecting the Equipment

- 1 For a DCA-X oscilloscope, install one of the module combinations listed in [Table 4](#) into the oscilloscope.

**Table 4** Module combinations for DCA-X Oscilloscope

Installed Module Configurations	Single Plug-In Module Setup	Multiple Plug-In Module Setup	Description
86108A/B	Available		The 86108B can have either options LBW or HBW plus 216 or 232.
86112A, 54754A, 86117A, or 86118A-H01 86107A (any option) N4877A, N1076 A/B, N1077A, N1078A Clock Data Recovery Options 216/232* N1045A, N1045B, N1055A, N1046A 75/85/100 GHz, N1060A		Available	Option 216 provides a maximum data rate of 16 Gb/s. Option 232 provides a maximum data rate of 32 Gb/s.

\* If you have access to the clock for the device, you can connect the clock to the DCA-X oscilloscope's **Trigger** input *instead* of using the CDR.

- 2 For a DCA-M oscilloscope, keep in mind the information in the following table.

**Table 5** Supported configurations for DCA-M Oscilloscope

Configurations for DCA-M	Requires N107x
N1094A	√ (N107xA-232)
N1094B	√ (N107xA-232)
N1092 C/E	√ (N107xA-232)

- 3 Connect the equipment as shown in the connection diagrams above and power on all of the instruments.
- 4 Install Microsoft Excel on the PC.

## Installing the I/O Library Suite

- 1 Navigate to [www.keysight.com/find/iosuite](http://www.keysight.com/find/iosuite) and download the Keysight I/O Library Suite.

### NOTE

Keysight's I/O Library Suite is a free software that automatically detects instruments connected to your PC and configures the interfaces. It reduces the overall setup and configuration time. The N109310CA SFF-8431 Compliance Test Application requires I/O Libraries Suite 16.3 or higher.

- 2 Install the I/O Library Suite on the PC.



## Installing the N109310CA SFF-8431 Compliance Test Application

Follow the steps below to install the N109310CA SFF-8431 Compliance Test Application and its license as well as the license for the 86100DU-401 or N1010100A. A version of the 86100DU-401 is automatically installed for use with the N109310CA.

### NOTE

If you plan to run all of the N109310CA tests, the N109310CA license will suffice. If using older licenses, host testing requires option N1014A-HST and Module Testing requires option N1014A-MOD.

- 1 Search for the N109310CA SFF-8431 Compliance Test Application on the Keysight website. Install the application on the PC for which you have redeemed the license.

### NOTE

When you redeem an N109310CA SFF-8431 license, you must select whether to install the application on the Oscilloscope or a specific PC.

- 2 Save the license file that you received from Keysight in a folder on the local disk or in an accessible memory device.
- 3 If not already done, purchase an 86100DU-401 or N1010100A license. Save the license file that you received from Keysight in a folder on the local disk or in an accessible memory device.
- 4 If the N1010A FlexDCA is running on your PC, close FlexDCA.
- 5 From the Windows **Start** menu, click **All Programs > Keysight License Manager** to launch the Keysight License Manager.

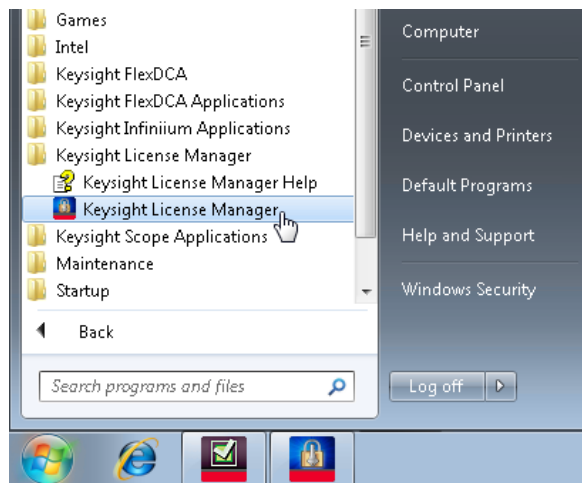


Figure 62 Launching Keysight Connection Expert from the Start menu

### NOTE

Keysight License Manager version 5.1 (and higher) have a different user interface than version 5.0 (or earlier). Even though the path to launch the Keysight License Manager is the same for both versions, refer to the *Keysight License Manager Online Help* for the respective versions to find more information about the functionality of the application.

To install the N109310CA SFF-8431 Compliance Test Application’s license using Keysight License Manager version 5.1 or higher

- 1 Click the **Tools** icon on the top-right corner of the Keysight License Manager window.

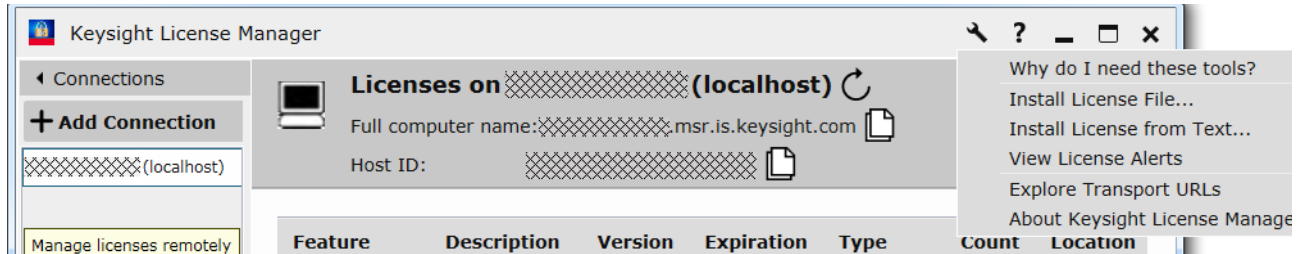


Figure 63 Installing license file on Keysight License Manager version 5.1 & above

- 2 Click **Install License File....** The **Select License File(s) to Install on <PC Hostname>** appears.

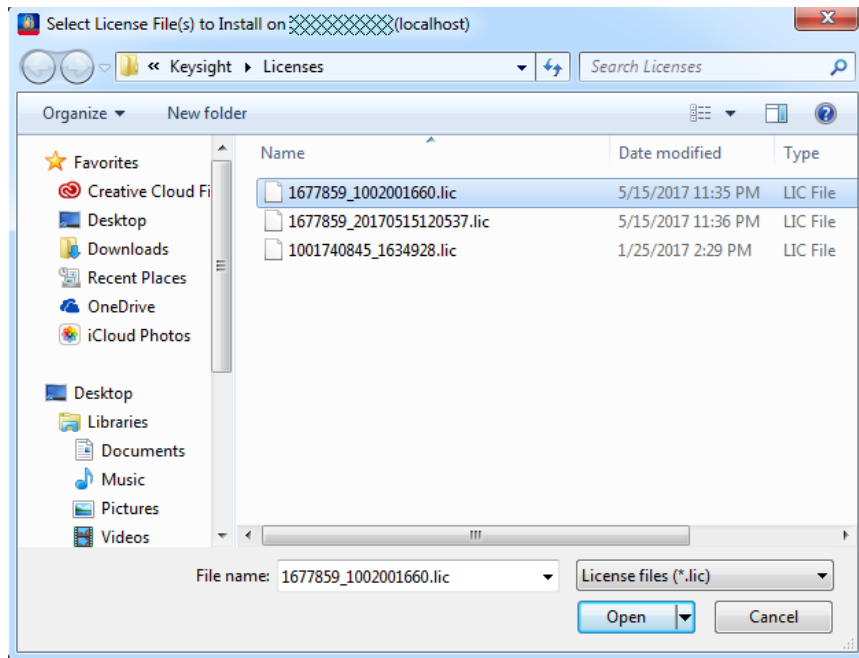


Figure 64 Selecting license file from the folder

- 3 Navigate to the folder where the N109310CA SFF-8431 licenses are saved.
- 4 Select the license and click **Open**. The license files are installed and an entry is displayed in the Keysight License Manager.

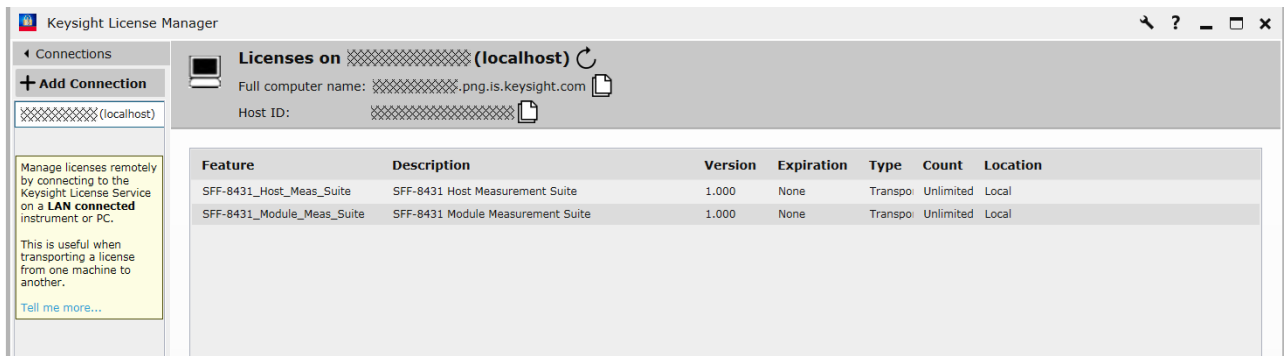


Figure 65 Licenses displayed in Keysight License Manager version 5.1 & above

5 Close the Keysight License Manager.

To install the N109310CA SFF-8431 Compliance Test Application’s license using Keysight License Manager version 5.0 or earlier

- 1 From the Keysight License Manager window’s main menu, click **File>Install...** or right-click within the left pane of the Keysight License Manager window and select **Install...**

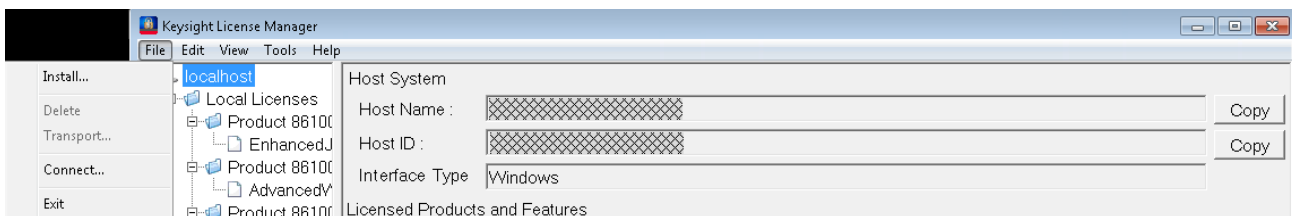


Figure 66 Installing license file on Keysight License Manager version 5.0 or earlier

2 The **Install License File(s)** dialog box appears.

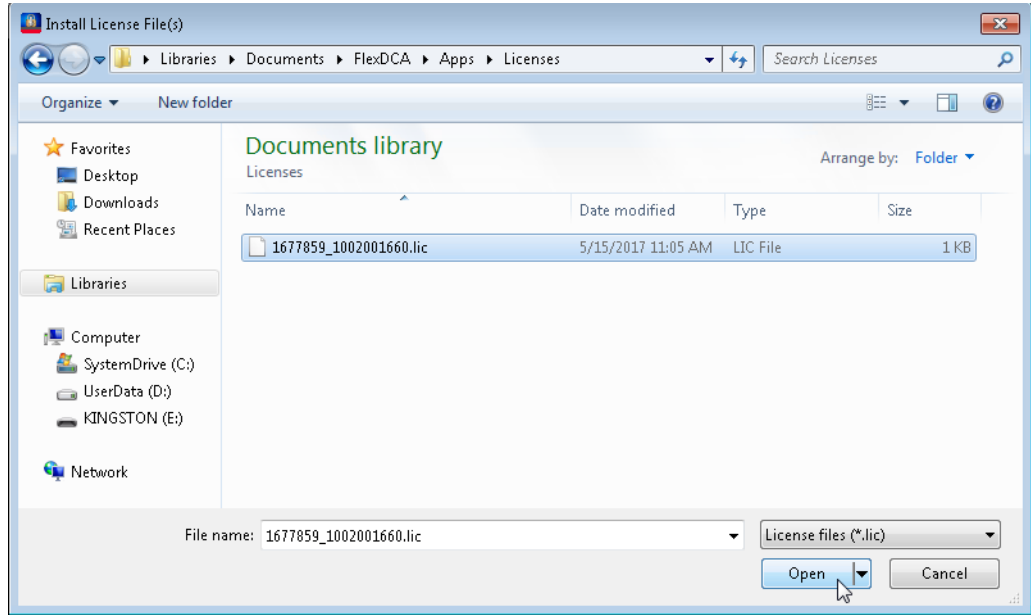


Figure 67 Selecting license file from the folder

- 3 Navigate to the folder where the N109310CA SFF-8431 licenses are saved.
- 4 Select the license and click **Open**. The license files are installed and an entry is displayed in the Keysight License Manager.

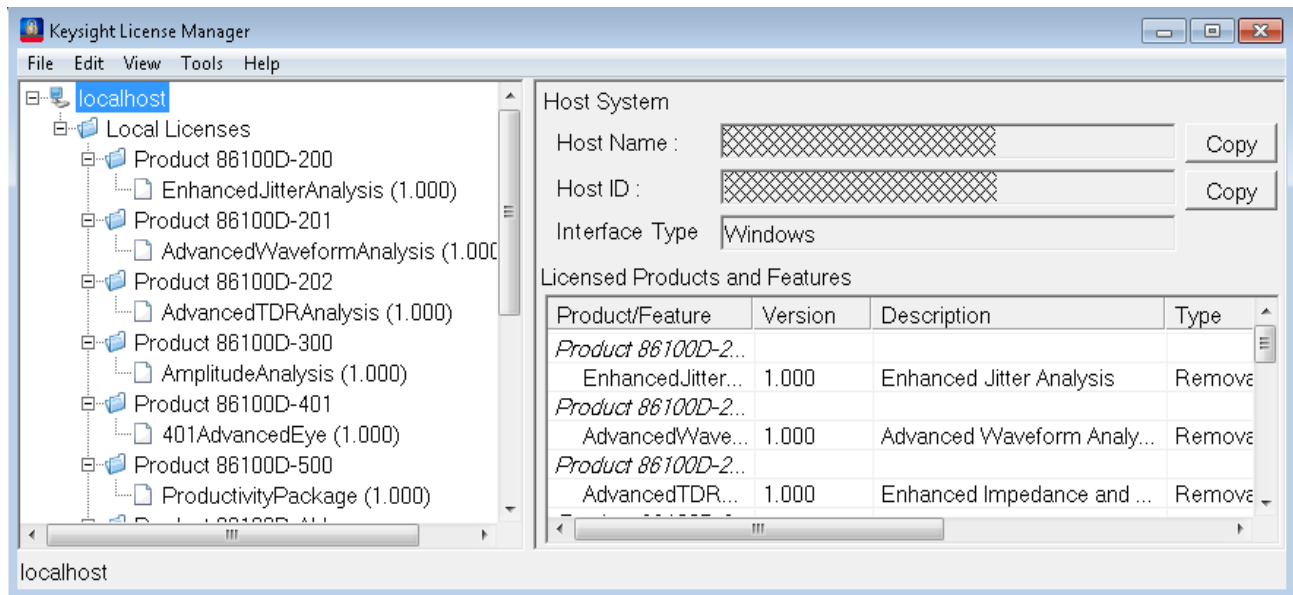


Figure 68 Licenses displayed in Keysight License Manager version 5.0 or earlier

5 Close the Keysight License Manager.

## Validating DCA-X Oscilloscope's SCPI Server Setup

**NOTE**

This section lists the steps for 86100D DCA-X oscilloscope. Perform similar steps for the N1000A DCA-X oscilloscope.

- 1 On the 86100D Oscilloscope, launch the Keysight FlexDCA application.
- 2 Click **Tools > SCPI Programming Tools > SCPI Server Setup**.
- 3 In the **SCPI Server Setup** dialog, confirm that the **Sockets** and **HiSLIP** interfaces are selected and enabled as shown in [Figure 69](#).

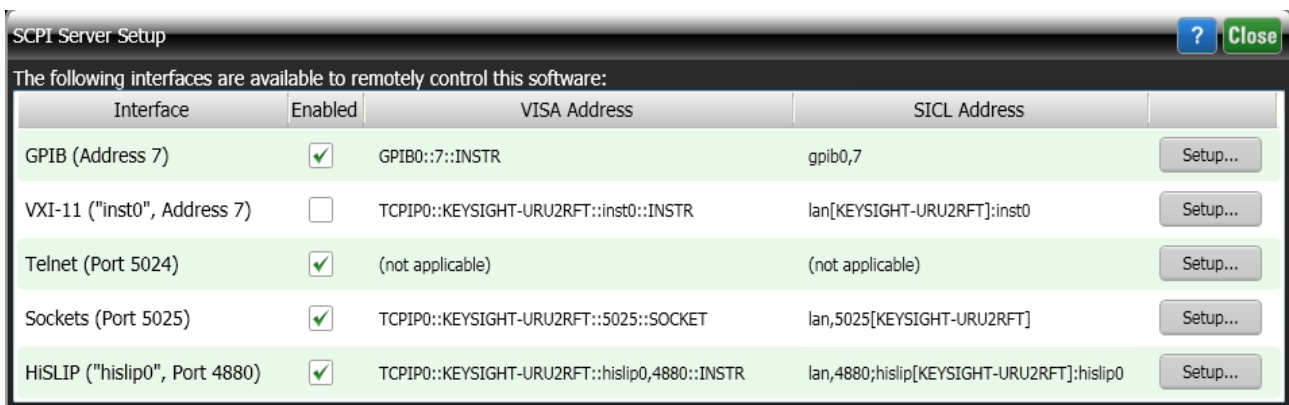


Figure 69 86100D's SCPI Server Setup Dialog Box

- 4 Close the **SCPI Server Setup** dialog box.

## Adding 86100D or N1000A to Keysight Connection Expert

Most of the measurements in the N109310CA SFF-8431 Compliance Test Application use a supported DCA-X or DCA-M sampling oscilloscope.

### NOTE

This section lists the steps for 86100D DCA-X oscilloscope. Perform similar steps for the N1000A DCA-X oscilloscope.

Note that the Keysight I/O Library Suite must be installed before you proceed with connecting to the network analyzer. The user interface for Keysight Connection Expert 2017 (Version 18.0) or higher is slightly different from its previous versions, such as Version 17.2 or earlier.

### Connection using Keysight Connection Expert v17.2 (or earlier) or higher

- 1 On the 86100D Oscilloscope, launch the Keysight FlexDCA application.
- 2 From the FlexDCA's main menu, click **Help > About FlexDCA....** The **About 86100D** dialog box appears.
- 3 In the **System Information** area, scroll down to view the **Computer Name** entry.  
Alternatively, you can obtain the computer name from the Windows **System** properties.

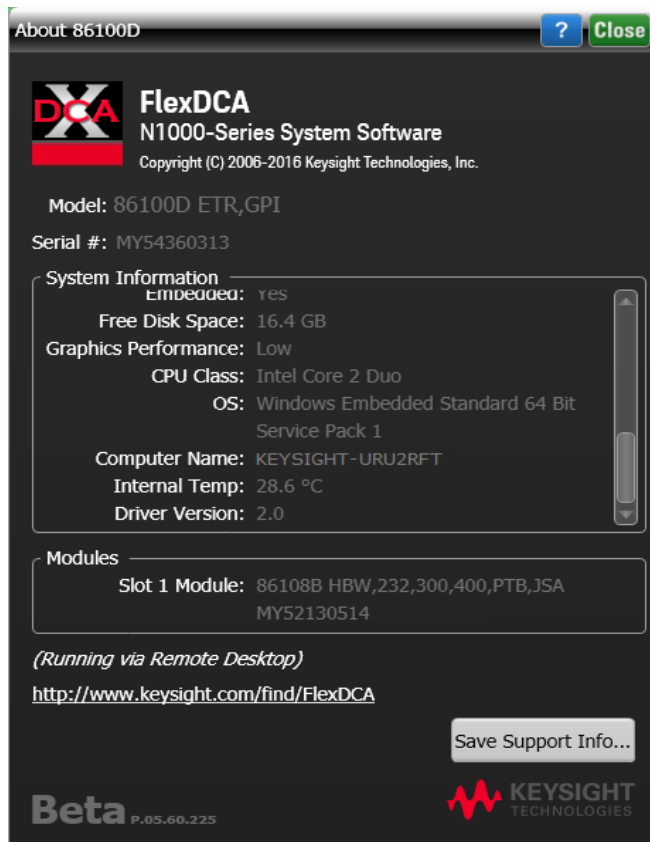


Figure 70 86100D Oscilloscope's hostname

- Record the Computer Name (corresponds to hostname) as you will need this name later in this procedure.

86100D Computer Name: \_\_\_\_\_

- Close the **About 86100D** dialog box.
- On the Windows **Start** menu of your PC, click **All Programs > Keysight Connection Expert** to launch Connection Expert. Refer to [Keysight IO Libraries Suite](#) for information on how to install the Keysight Connection Expert.

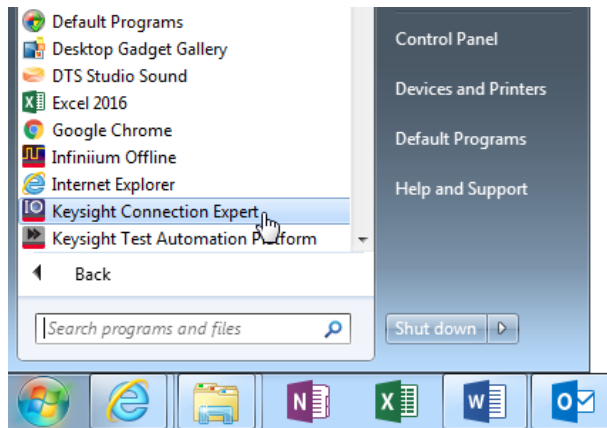


Figure 71 Launching the Keysight Connection Expert

- In Keysight Connection Expert, click the **Manual Configuration** tab.

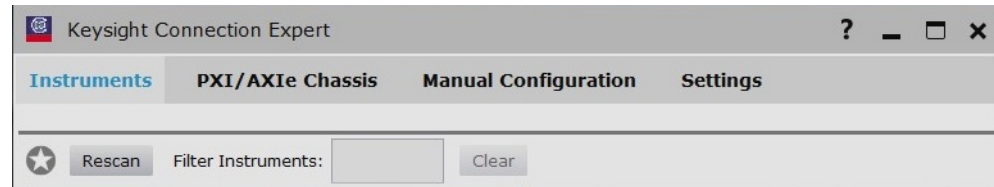


Figure 72 Tabs within Keysight Connection Expert

- Under **Add New Instruments / Interfaces**, select **LAN instrument**.

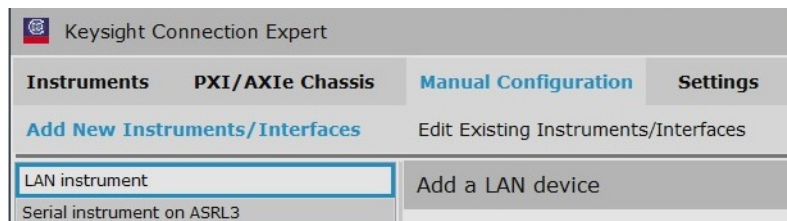


Figure 73 Performing Manual Configuration in Keysight Connection Expert

- 9 In the **Add a LAN device** pane,
  - a Under **Set LAN Address**, enter the Hostname (recorded in step 1) in the **Hostname or IP Address**: field. Note that your Hostname entry will be different from what is shown in the image.
  - b Under **Set Protocol**, select **Socket** and enter the port number.
  - c Under **Verify Connection**, click **Test This VISA Address** to verify the connection.

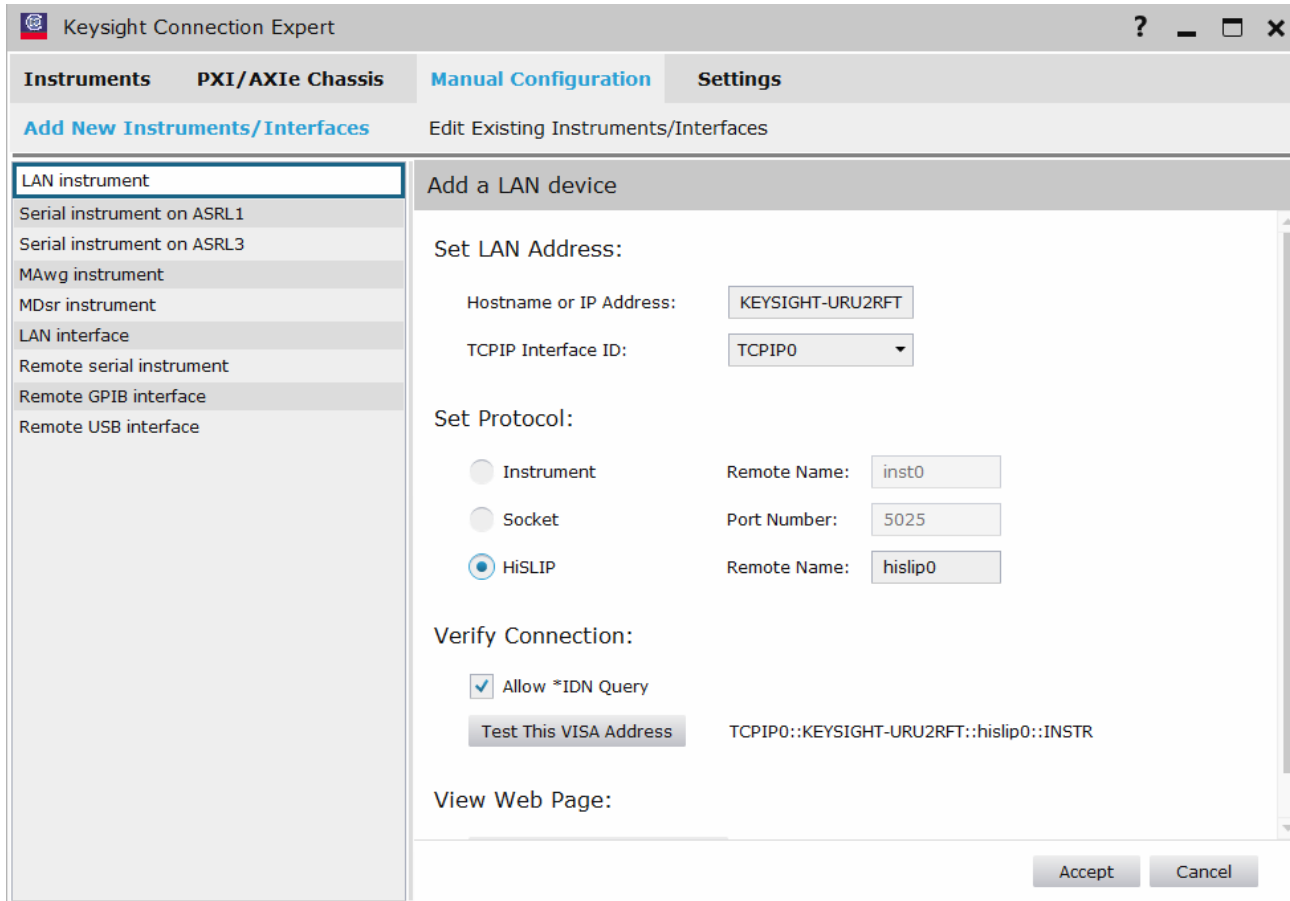


Figure 74 Adding the 86100D device information in the Keysight Connection Expert

10 Once you verify the entered data, click **Accept** to complete the process.



- 11 To verify that the 86100D Oscilloscope is connected, click the **Instruments** tab of the Keysight Connection Expert.
- 12 Click the 86100D Oscilloscope's listing on the left pane. A check mark encircled in green indicates that the Oscilloscope is connected to your PC remotely on the LAN. Note that the address on your end will be different from what is shown in the image.

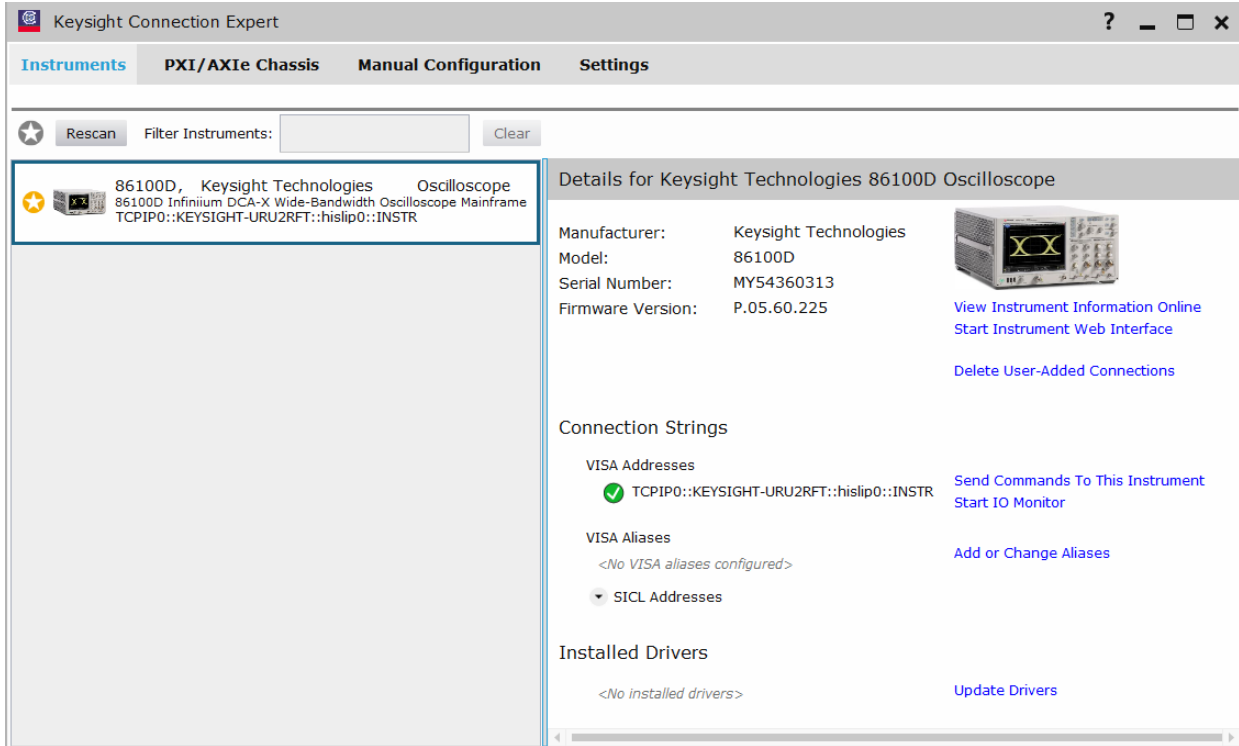


Figure 75 Validating 86100D Oscilloscope's connection

- 13 Close the Keysight Connection Expert window.

**Connection using Keysight Connection Expert 2017 (v18.0)**

- 1 On the 86100D Oscilloscope, launch the Keysight FlexDCA application.
- 2 From the FlexDCA's main menu, click **Help > About FlexDCA....** The **About 86100D** dialog box appears.
- 3 In the **System Information** area, scroll down to view the **Computer Name** entry.  
Alternatively, you can obtain the computer name from the Windows **System** properties.

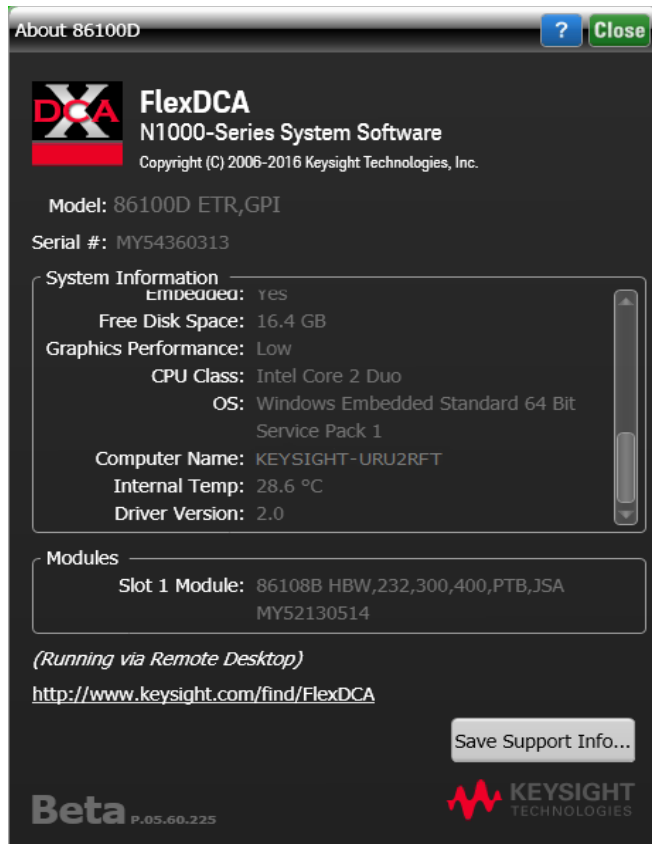


Figure 76 86100D Oscilloscope's hostname

- 4 Record the Computer Name (corresponds to hostname) as you will need this name later in this procedure.

86100D Computer Name: \_\_\_\_\_

- 5 Close the **About 86100D** dialog box.
- 6 On the Windows **Start** menu of your PC, click **All Programs>Keysight Connection Expert** to launch Connection Expert 2017. Refer to **Keysight IO Libraries Suite** for information on how to install the Keysight Connection Expert 2017.

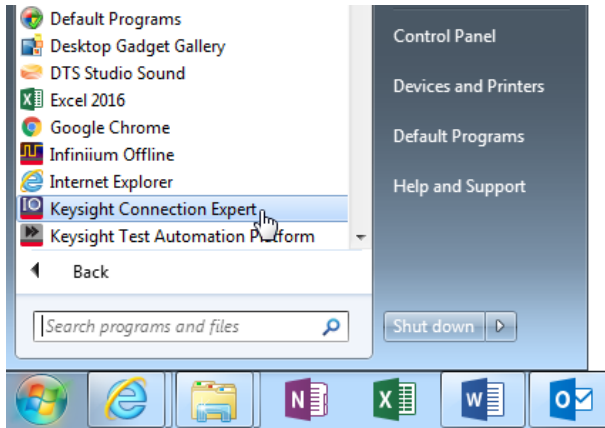


Figure 77 Launching the Keysight Connection Expert 2017

- 7 In Keysight Connection Expert 2017, click the **+ Add** button to manually add instruments and interfaces.

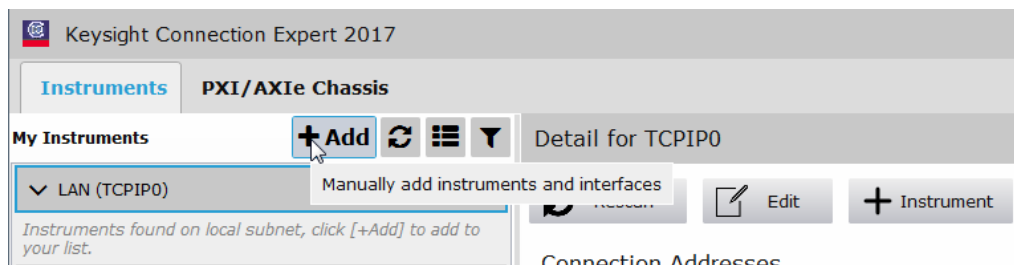


Figure 78 Adding 86100D Oscilloscope manually in the Keysight Connection Expert 2017

- 8 From the drop-down list that appears, select **LAN instrument**.

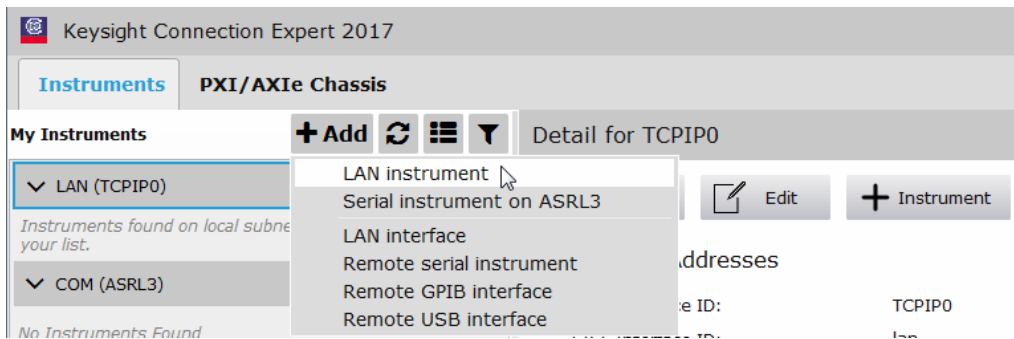


Figure 79 Selecting LAN instrument in the Keysight Connection Expert 2017

- 9 In the **Add a LAN device** window,
  - a Select the **Enter Address** tab.
  - b Under **Set LAN Address**:, enter the Hostname (recorded in step 1) in the **Hostname or IP Address**: field. Note that your Hostname entry will be different from what is shown in the image.
  - c Under **Set Protocol**:, select **Socket** and enter the port number.
  - d Under **Verify Connection**:, click **Test This VISA Address** to verify the connection.

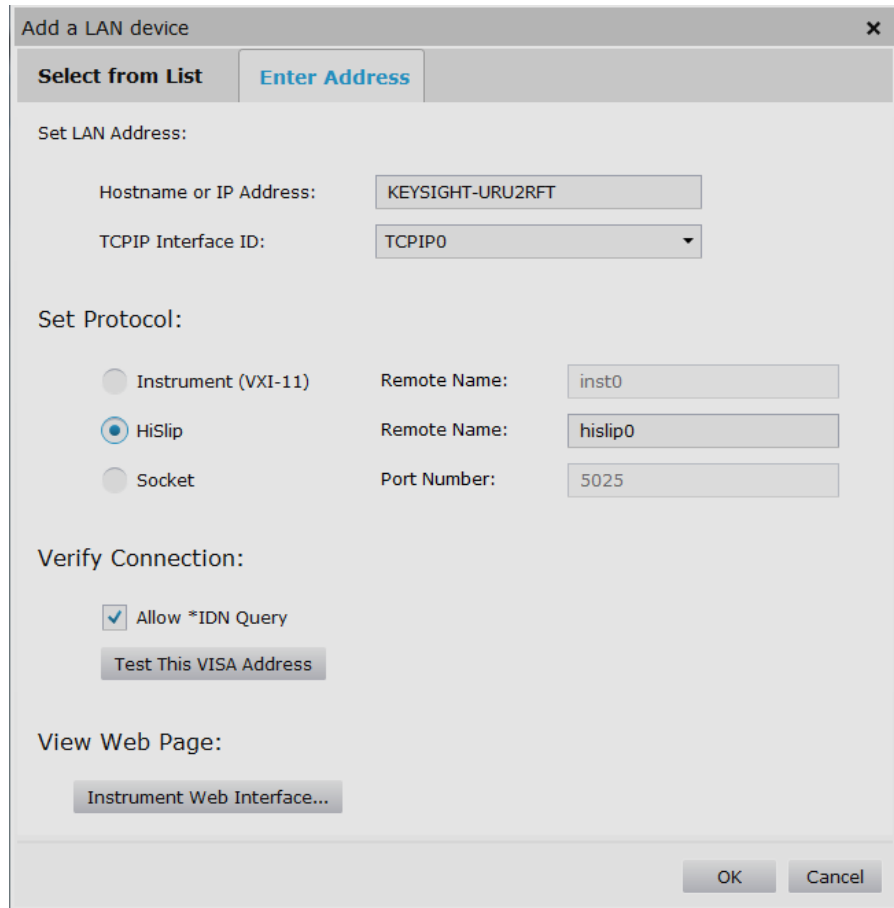


Figure 80 Adding 86100D Oscilloscope's device information in the Keysight Connection Expert 2017

- 10 Once you verify the entered data, click **OK** to complete the process.

- 11 To verify that the 86100D Oscilloscope is connected, click the **Instruments** tab of the Keysight Connection Expert.
- 12 Click the 86100D Oscilloscope's listing on the left pane. A check mark encircled in green indicates that the Oscilloscope is connected to your PC remotely on the LAN. Note that the address on your end will be different from what is shown in the image.

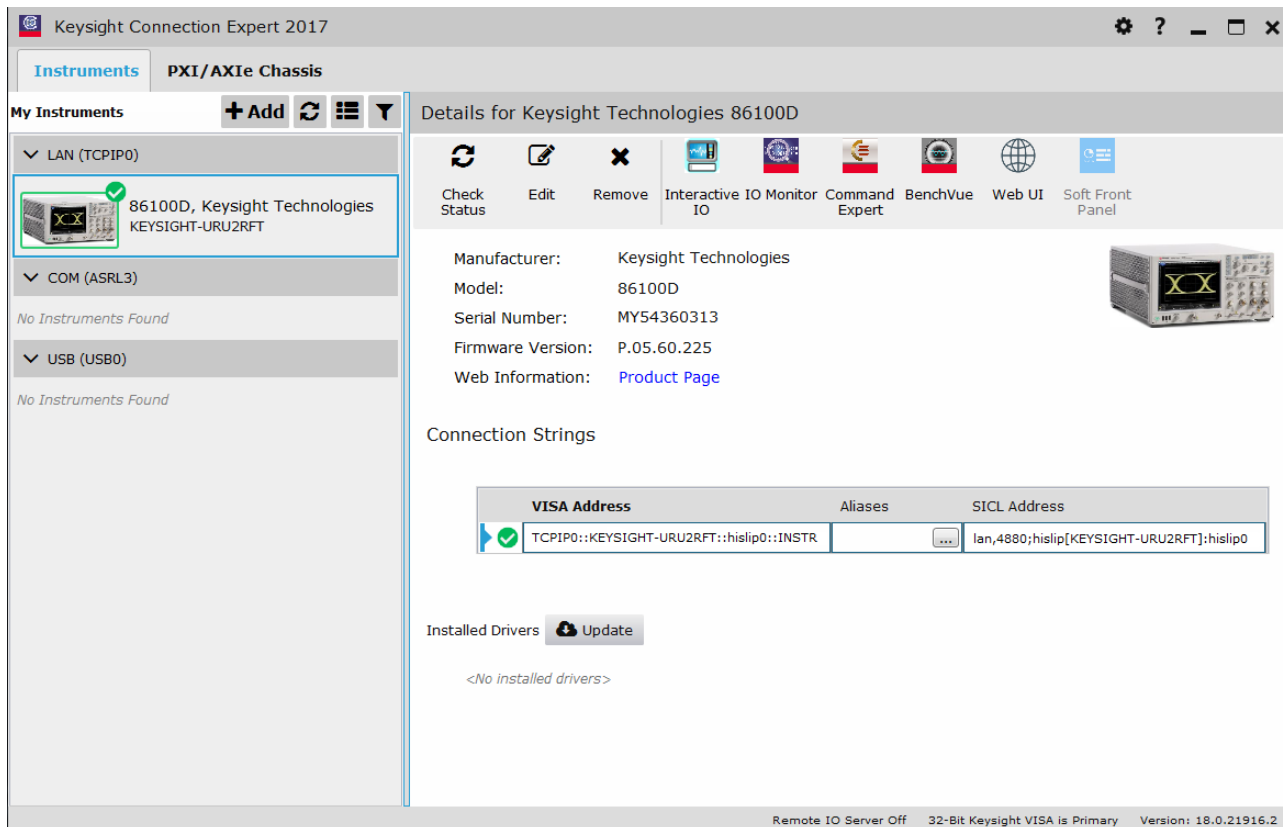


Figure 81 Validating 86100D Oscilloscope's connection

- 13 Close the Keysight Connection Expert window.

## Connecting N1010A FlexDCA to N109X Oscilloscope and N107X

Perform the following steps to connect your N109X oscilloscope with N107X clock data recovery using FlexDCA:

- 1 Launch FlexDCA.
- 2 When FlexDCA starts, the **Extended Module Configuration** window is displayed automatically. If the **Extended Module Configuration** window does not appear, from the FlexDCA interface's main menu, click **Setup>Configure Extended Modules...**
- 3 Configure Slot 7 to be the N109X module.
- 4 Configure Slot 8 to be the N107X module.
- 5 Remove any other N109X/N107X that is configured for Slot 5 and Slot 6.



- 6 Click **Close** to exit the **Extended Module Configuration** window.
- 7 Once the connection is established, you may proceed to launch the N109310CA SFF-8431 Compliance Test Application on your PC.

## Starting the N109310CA SFF-8431 Compliance Test Application

After you install the N109310CA SFF-8431 Compliance Test Application on a PC without the N1010A FlexDCA interface, follow the steps below to start the N109310CA SFF-8431 Compliance Test Application:

- 1 Ensure that the 86100D or N1000A Oscilloscope is added to the Keysight Connection Expert and that the connection is active. Refer to “[Adding 86100D or N1000A to Keysight Connection Expert](#)” on page 70.
- 2 From the Windows **Start** menu, navigate to **Start>All Programs>Keysight FlexDCA Applications>N109310CA SFF-8431** and click **Launch 'N109310CA SFF-8431'**.
- 3 The N109310CA SFF-8431 Compliance Test Application banner appears followed by the **Connect to FlexDCA** dialog.

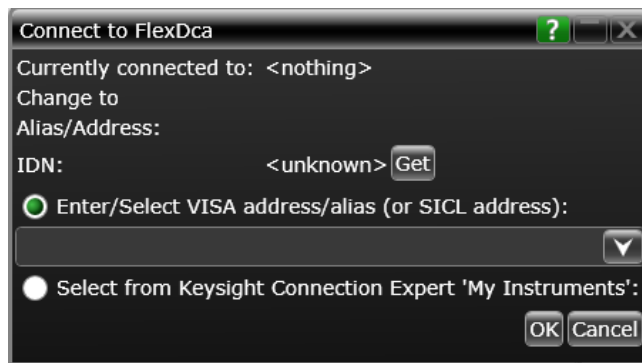


Figure 82 N109310CA SFF-8431 Application Connect to FlexDCA dialog

- 4 Enter the SICL address or VISA alias, if known, else select the **Select from Keysight Connection Expert** option to find the SICL Address/VISA alias.
- 5 Click **OK** to connect.

- The default view of the N109310CA SFF-8431 Compliance Test Application appears.

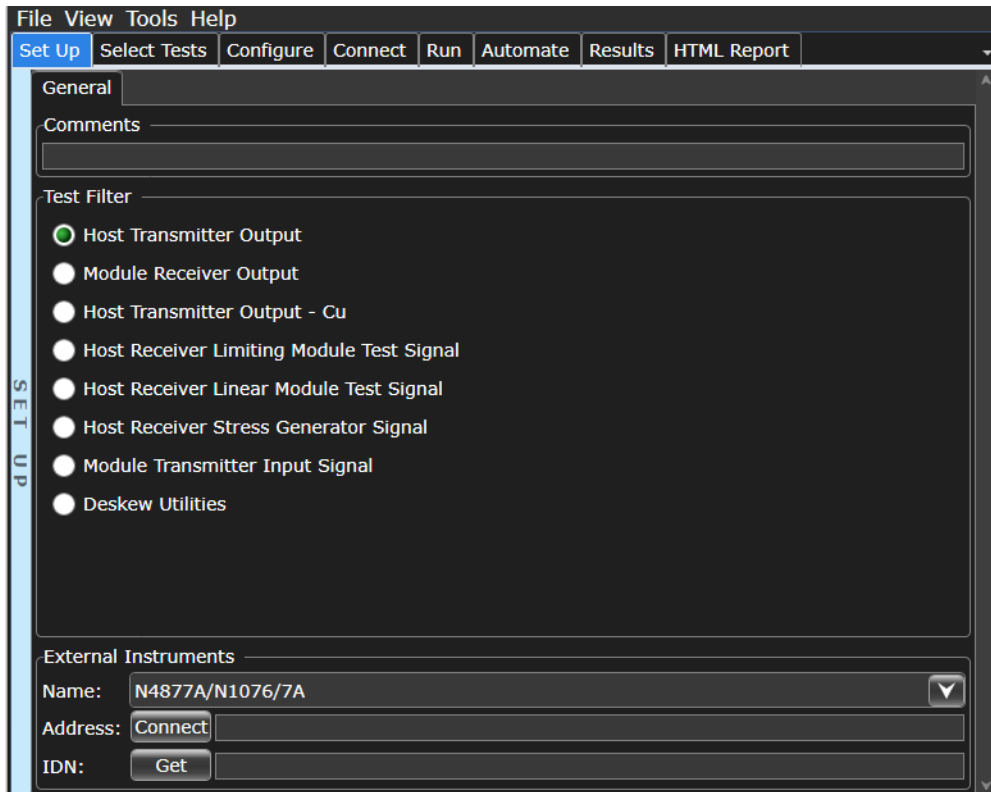


Figure 83 Default window of the N109310CA SFF-8431 Compliance Test Application

**NOTE**

If you click the **View 'N109310CA SFF-8431' in Demo Mode** option under **Start>All Programs>Keysight FlexDCA Applications>N109310CA SFF-8431**, click **File>Connect to Scope...** to access the **Connect to FlexDCA** dialog. However, since it is a demo application, it has limited features.



## Connecting to the Network Analyzer

Refer to “Connecting to External Instruments” on page 21 for connecting to the network analyzer you are using.

### Configuring the Network Analyzer on the N109310CA SFF-8431 Application

After you establish a connection with a network analyzer, you must configure certain settings to run the S-parameter and Impedance Tests on the N109310CA SFF-8431 Compliance Test Application.

- 1 In the N109310CA SFF-8431 Compliance Test Application, click the **Configure** tab.
- 2 With the **Mode:** option set to **Compliance** (for compliance testing), select **Source for S-parameter values** on the left pane.
- 3 In the corresponding **Settings For:** pane, select the type of network analyzer that is connected.

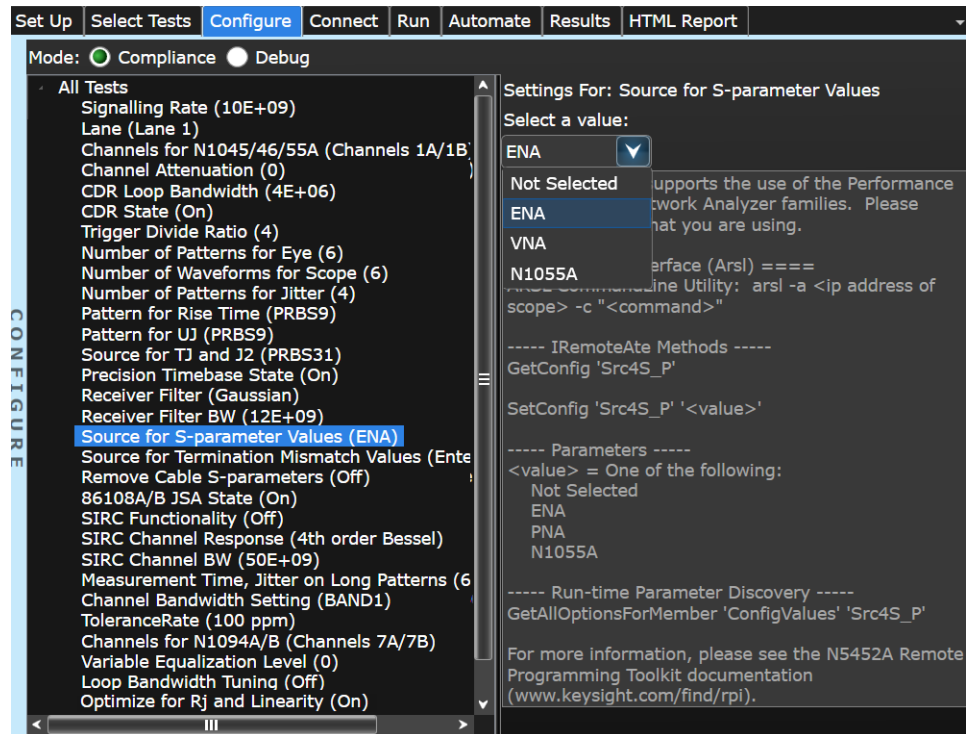


Figure 84 Configuring S-parameter value source

- 4 Select **Source for Termination Mismatch Values** on the left pane.
- 5 Select **ENA** if you are using an ENA. For VNA, select **Enter Manually**.

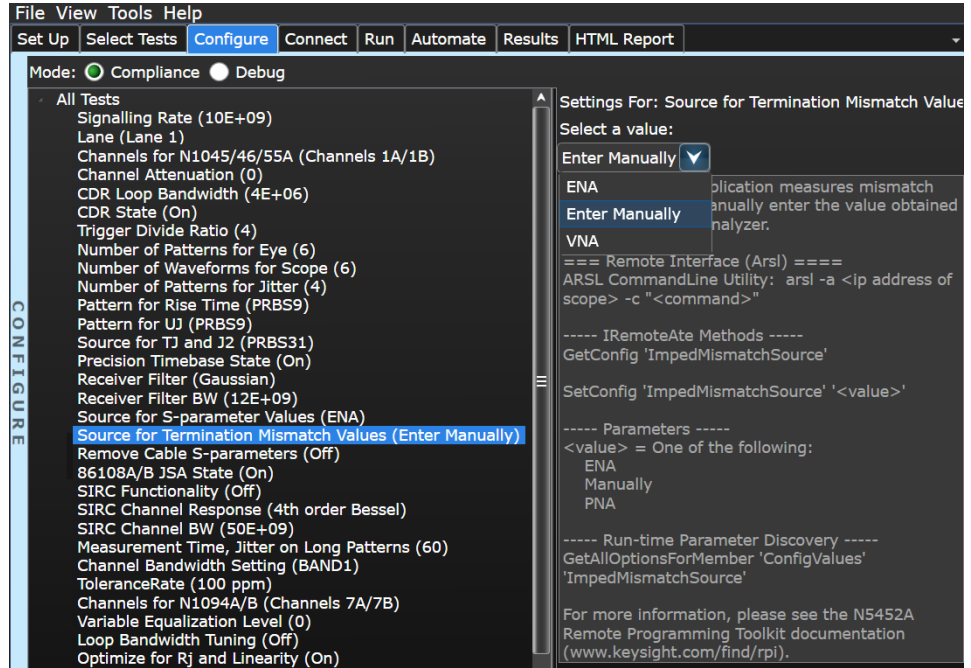


Figure 85 Configuring Termination Mismatch value source

The setup of the N109310CA SFF-8431 Compliance Test Application without N1010A FlexDCA installed on PC is now complete. You may begin to select, setup, and run compliance tests. Refer to *Keysight N109310CA SFF-8431 Compliance Test Application Online Help* to understand the functionality of the application to run tests.

## Installing WDP Measurement Script

This step is required before you can perform the following TWDP (Transmitter Waveform Dispersion Penalty) test, which is selected under the “Host Transmitter Output - Cu” tests in the application:

Output TWDPc - Host Cu

This step is also required for the following WDP (Waveform Dispersion Penalty) test, which is selected under the “Host Receiver Stress Generator Signal” tests in the application:

WDP of ISI Gen - Host Stress Gen

1 On your PC’s web browser, go to the following site:

**<https://ta.snia.org/higherlogic/ws/public/documents>**

2 On this site, locate and open the **SFF-8431.PDF** file.

3 In the document, go to *APPENDIX G MATLAB CODE FOR TWDP*.

4 Copy the script and place it in a text editor.

5 Comment out line 40 and add a new line after line 40. The two lines should look like the following:

```
%% TXDataFile = 'prbs9_950.txt';
TXDataFile = 'C:\Temp\XmitBits.csv';
```

6 Compile the WDP script file in a 32-bit MATLAB (Version 2009a & above) to create an executable to run on the 86100D or PC.

7 Name the executable file **SFF8431xWDP.exe**, and save the file in the following folder:

```
C:\ProgramData\Keysight\N5467A\User Defined Application\uda\
distrib_CSIDL_COMMON_APPDATA\App\ExternalAppScripts\SFF8431xWDP.exe
```



# 4 Installing N109310CA on the 86100D or N1000A

Follow the instructions in this chapter when you are installing both the N109310CA application and the FlexDCA application on the 86100D or N1000A oscilloscope. You must purchase and install a license for the 86100DU-401 or N1010100A.

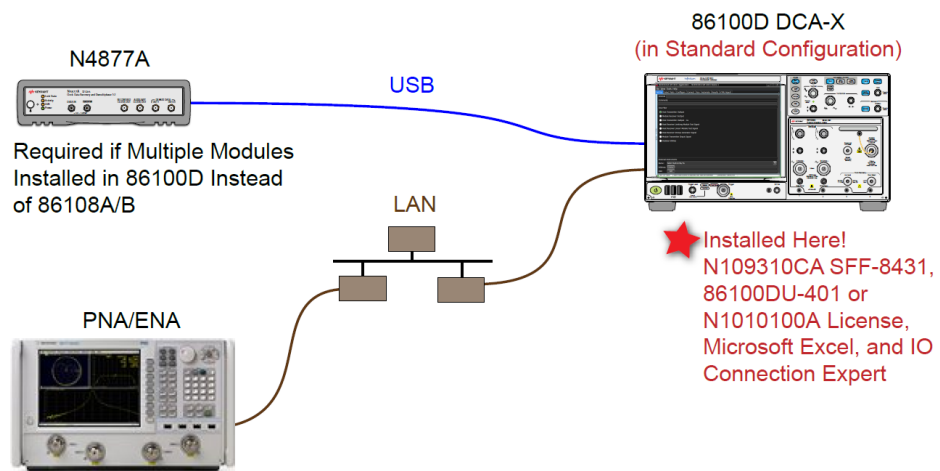


Figure 86 N109310CA Installed on 86100D

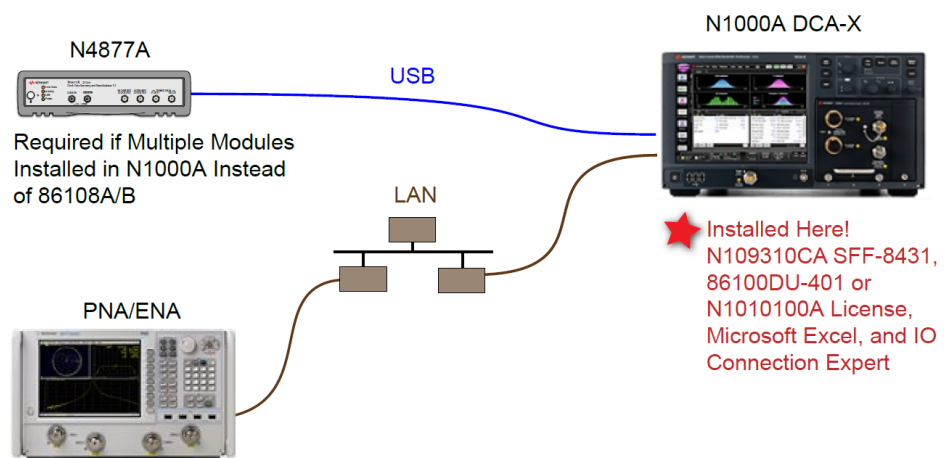


Figure 87 N109310CA Installed on N1000A

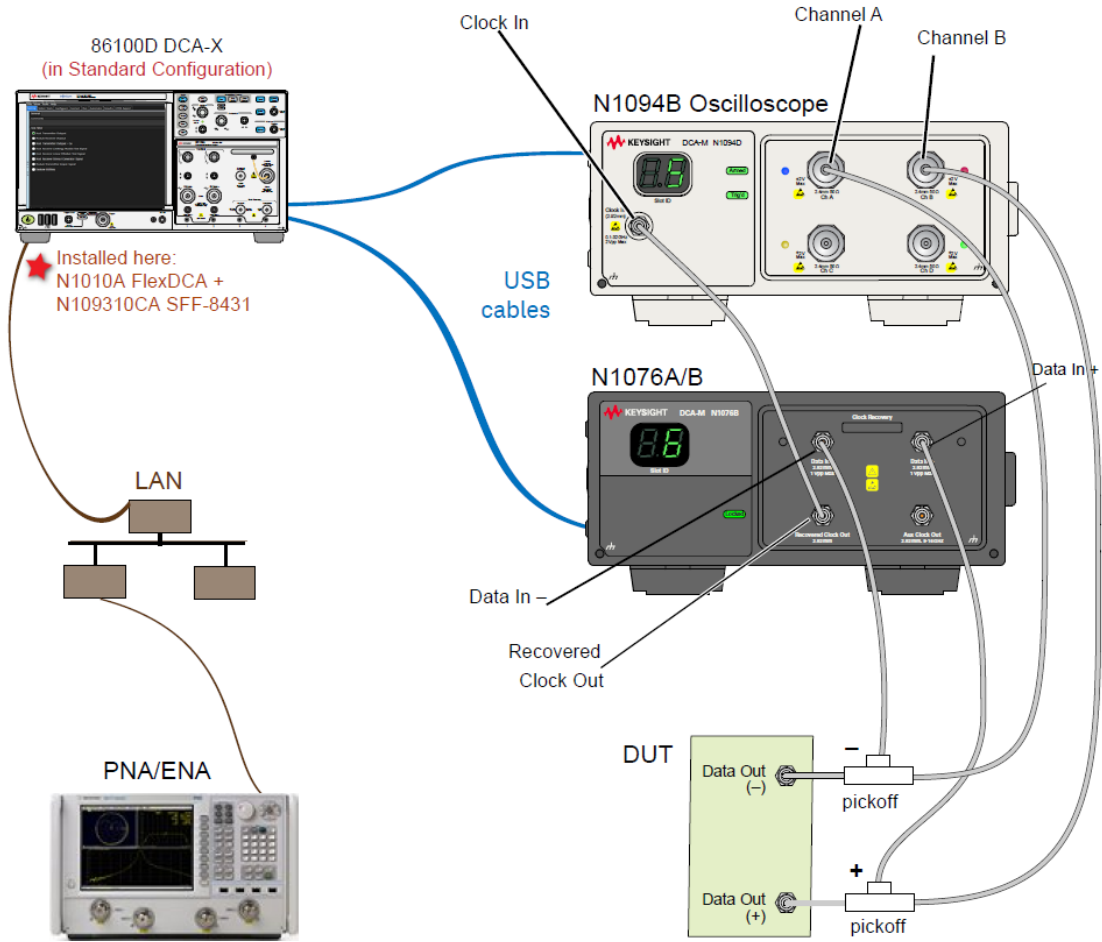


Figure 88 N109310CA Installed on 86100D connected to a DCA-M setup

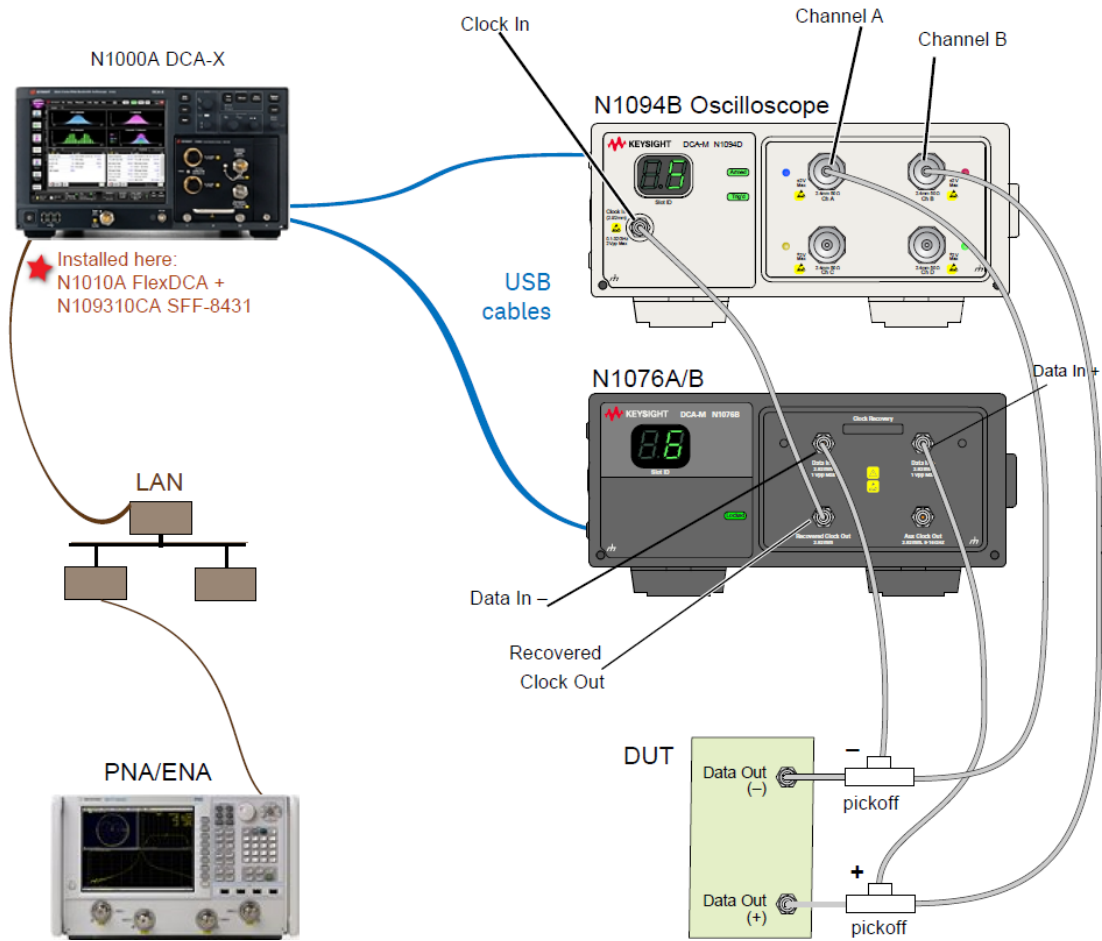


Figure 89 N109310CA Installed on N1000A connected to a DCA-M setup

**NOTE**

If you do not connect a network analyzer, you will not be able to perform the S-parameter Tests and Impedance Tests for the following test categories: Host Transmitter Output, Module Receiver Output, Host Receiver Limiting Module Test Signal, Host Receiver Linear Module Test Signal, and Module Transmitter Input Signal.

## Connecting the Equipment

- 1 For a DCA-X oscilloscope, install one of the module combinations listed in [Table 6](#) into the oscilloscope.

**Table 6** Module combinations for DCA-X Oscilloscope

Installed Module Configurations	Single Plug-In Module Setup	Multiple Plug-In Module Setup	Description
86108A/B	Available		The 86108B can have either options LBW or HBW plus 216 or 232.
86112A, 54754A, 86117A, or 86118A-H01 86107A (any option) N4877A, N1076 A/B, N1077A, N1078A Clock Data Recovery Options 216/232* N1045A, N1045B, N1055A, N1046A 75/85/100 GHz, N1060A		Available	Option 216 provides a maximum data rate of 16 Gb/s. Option 232 provides a maximum data rate of 32 Gb/s.

\* If you have access to the clock for the device, you can connect the clock to the oscilloscope's **Trigger** input *instead* of using the CDR.

- 2 For a DCA-M oscilloscope, keep in mind the information in the following table.

**Table 7** Supported configurations for DCA-M Oscilloscope

Configurations for DCA-M	Requires N107x
N1094A	√ (N107xA-232)
N1094B	√ (N107xA-232)
N1092 C/E	√ (N107xA-232)

- 3 Connect the equipment as shown in the connection diagrams above and turn on all of the instruments.
- 4 Install Microsoft Excel on the oscilloscope.

## Installing the I/O Library Suite

- 1 Navigate to [www.keysight.com/find/iosuite](http://www.keysight.com/find/iosuite) and download the Keysight I/O Library Suite.

### NOTE

Keysight's I/O Library Suite is free software that automatically detects instruments connected to your PC and configures the interfaces. It reduces the overall setup and configuration time. The N109310CA SFF-8431 Compliance Test Application requires I/O Libraries Suite 16.3 or higher.

- 2 Install the I/O Library Suite on the PC.



## Installing the N109310CA SFF-8431 Compliance Test Application

Follow the steps below to install the N109310CA SFF-8431 Compliance Test Application and its license as well as the license for the 86100DU-401. A version of the 86100DU-401 is automatically installed for use with the N109310CA.

### NOTE

If you plan to run all of the N109310CA tests, the N109310CA license will suffice. If using older licenses, host testing requires option N1014A-HST and Module Testing requires option N1014A-MOD.

- 1 Search for the N109310CA SFF-8431 Compliance Test Application on the Keysight website. Install the application on the Oscilloscope for which you have redeemed the license.

### NOTE

When you redeem an N109310CA SFF-8431 license, you must select whether to install the application on the Oscilloscope or a specific PC.

- 2 Save the license file that you received from Keysight in a folder on the local disk or in an accessible memory device.
- 3 If not already done, purchase an 86100DU-401 or N1010100A license. Save the license file that you received from Keysight in a folder on the local disk or in an accessible memory device.
- 4 If the N1010A FlexDCA is running on the Oscilloscope, close FlexDCA.
- 5 From the Windows **Start** menu, click **All Programs>Keysight License Manager** to launch the Keysight License Manager.

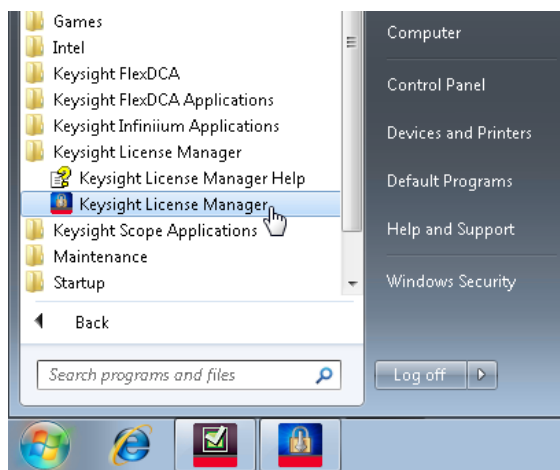


Figure 90 Launching Keysight Connection Expert from the Start menu

### NOTE

Keysight License Manager version 5.1 (and higher) have a different user interface than version 5.0 (or earlier). Even though the path to launch the Keysight License Manager is the same for both versions, refer to the *Keysight License Manager Online Help* for the respective versions to find more information about the functionality of the application.

To install the N109310CA SFF-8431 Compliance Test Application’s license using Keysight License Manager version 5.1 or higher

- 1 Click the **Tools** icon on the top-right corner of the Keysight License Manager window.

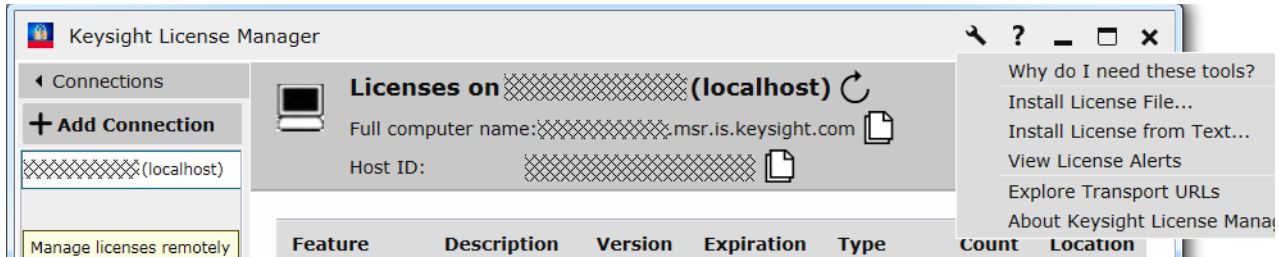


Figure 91 Installing license file on Keysight License Manager version 5.1 & above

- 2 Click **Install License File...**. The **Select License File(s) to Install on <PC Hostname>** appears.

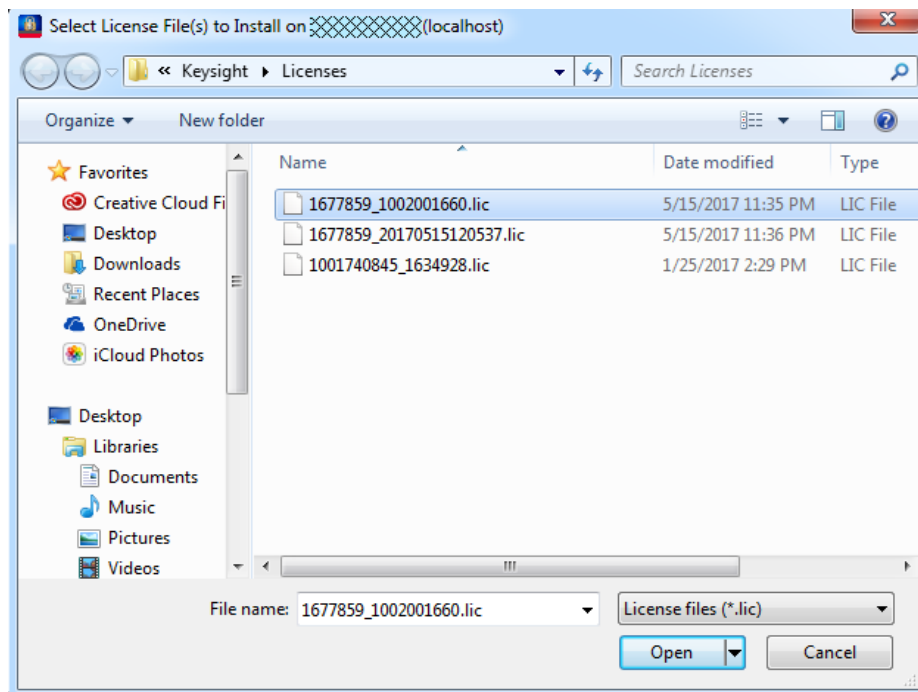


Figure 92 Selecting license file from the folder

- 3 Navigate to the folder where the N109310CA SFF-8431 licenses are saved.
- 4 Select the license and click **Open**. The license files are installed and an entry is displayed in the Keysight License Manager.

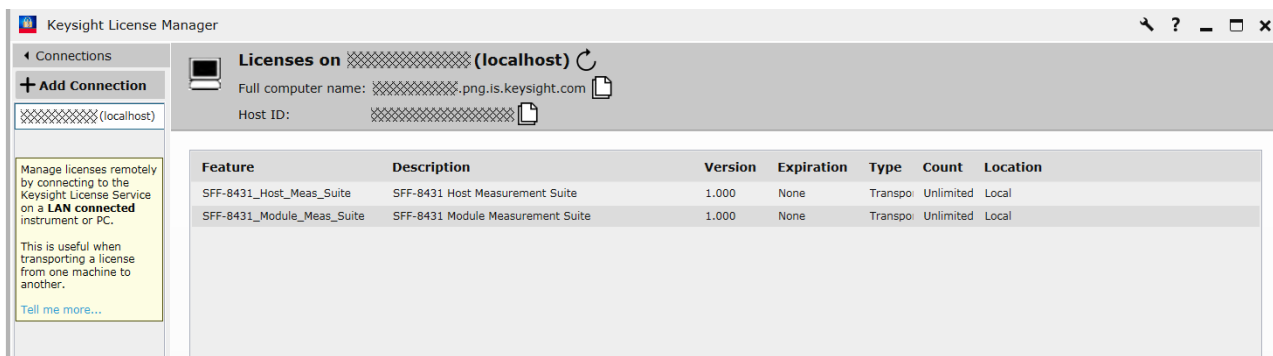


Figure 93 Licenses displayed in Keysight License Manager version 5.1 & above

5 Close the Keysight License Manager.

To install the N109310CA SFF-8431 Compliance Test Application’s license using Keysight License Manager version 5.0 or earlier

1 From the Keysight License Manager window’s main menu, click **File>Install...** or right-click within the left pane of the Keysight License Manager window and select **Install...**

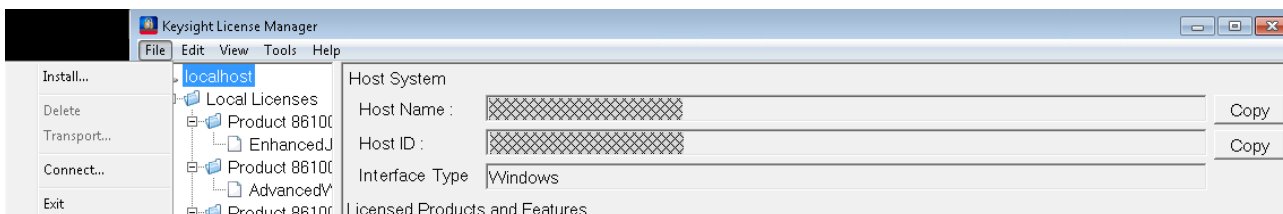


Figure 94 Installing license file on Keysight License Manager version 5.0 or earlier

2 The **Install License File(s)** dialog box appears.

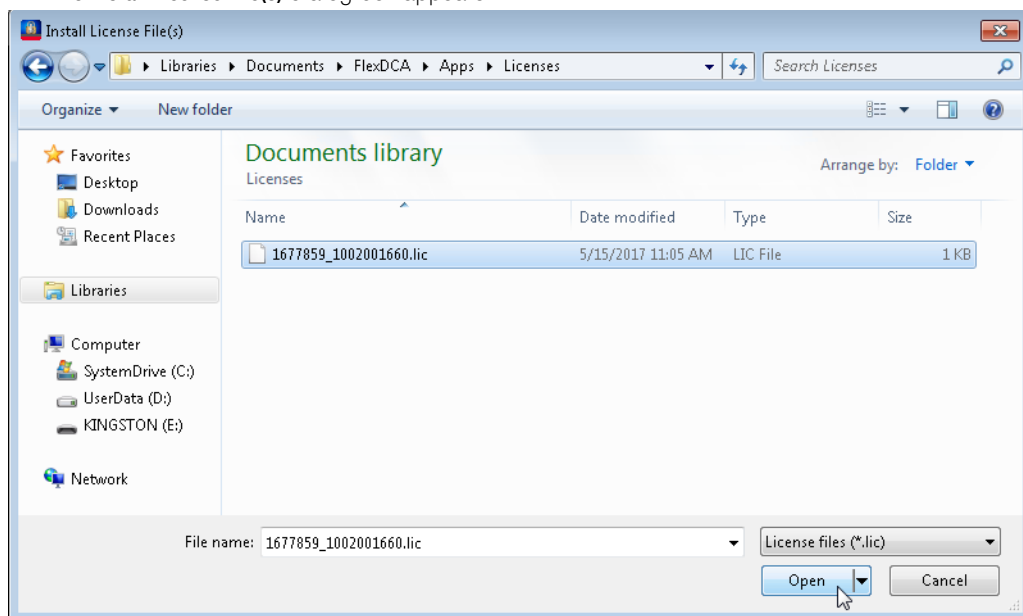


Figure 95 Selecting license file from the folder

3 Navigate to the folder where the N109310CA SFF-8431 licenses are saved.

- 4 Select the license and click **Open**. The license files are installed and an entry is displayed in the Keysight License Manager.

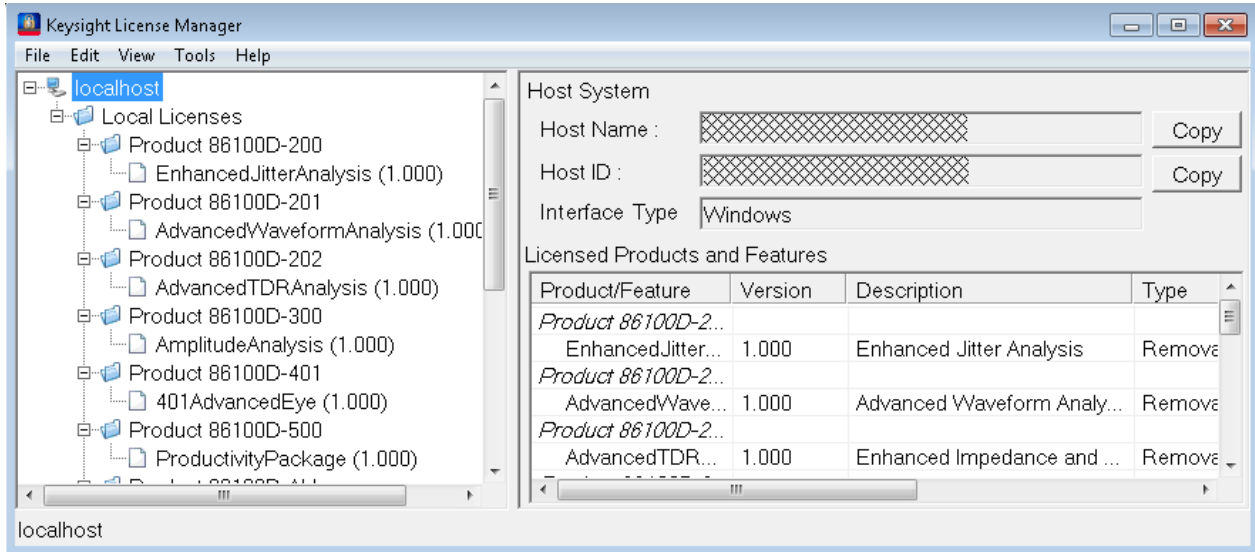


Figure 96 Licenses displayed in Keysight License Manager version 5.0 or earlier

- 5 Close the Keysight License Manager.

## Connecting N1010A FlexDCA to N109X Oscilloscope and N107X

Perform the following steps to connect your N109X oscilloscope with N107X clock data recovery using FlexDCA:

- 1 Launch FlexDCA.
- 2 When FlexDCA starts, the **Extended Module Configuration** window is displayed automatically. If the **Extended Module Configuration** window does not appear, from the FlexDCA interface's main menu, click **Setup>Configure Extended Modules...**
- 3 Configure Slot 7 to be the N109X module.
- 4 Configure Slot 8 to be the N107X module.
- 5 Remove any other N109X/N107X that is configured for Slot 5 and Slot 6.



- 6 Click **Close** to exit the **Extended Module Configuration** window.
- 7 Once the connection is established, you may proceed to launch the N109310CA SFF-8431 Compliance Test Application on your PC.

## Starting the N109310CA SFF-8431 Compliance Test Application

After you install the N109310CA SFF-8431 Compliance Test Application on the 86100D or N1000A Oscilloscope, follow the steps below to start the N109310CA SFF-8431 Compliance Test Application:

- 1 On the 86100D or N1000A Oscilloscope, launch the Keysight FlexDCA application.
- 2 From the FlexDCA's main menu, click **Apps>Automated Test Apps>N109310CA SFF-8431**.
- 3 The N109310CA SFF-8431 Compliance Test Application banner appears.  
Afterwards, the default view of the N109310CA SFF-8431 Compliance Test Application appears.

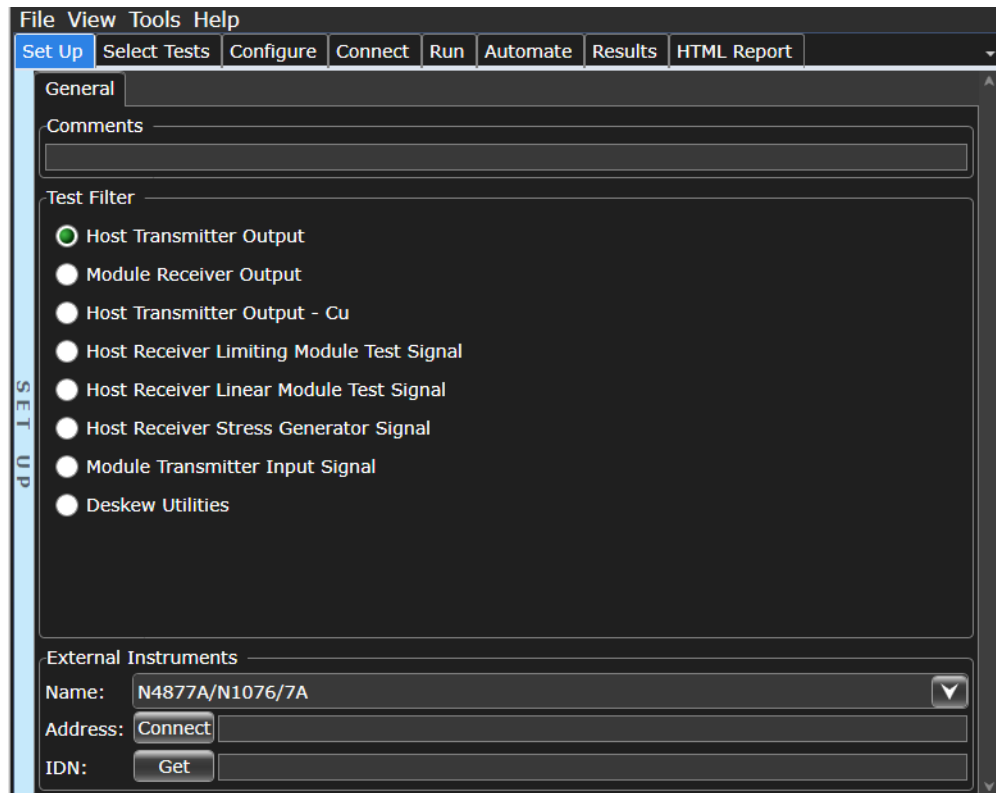


Figure 97 Default window of the N109310CA SFF-8431 Compliance Test Application

## Connecting to the Network Analyzer

Refer to “Connecting to External Instruments” on page 21 for connecting to the network analyzer you are using.

### Configuring the Network Analyzer on the N109310CA SFF-8431 Application

After you establish a connection with a network analyzer, you must configure certain settings to run the S-parameter and Impedance Tests on the N109310CA SFF-8431 Compliance Test Application.

- 1 In the N109310CA SFF-8431 Compliance Test Application, click the **Configure** tab.
- 2 With the **Mode:** option set to **Compliance** (for compliance testing), select **Source for S-parameter values** on the left pane.
- 3 In the corresponding **Settings For:** pane, select the type of network analyzer that is connected.

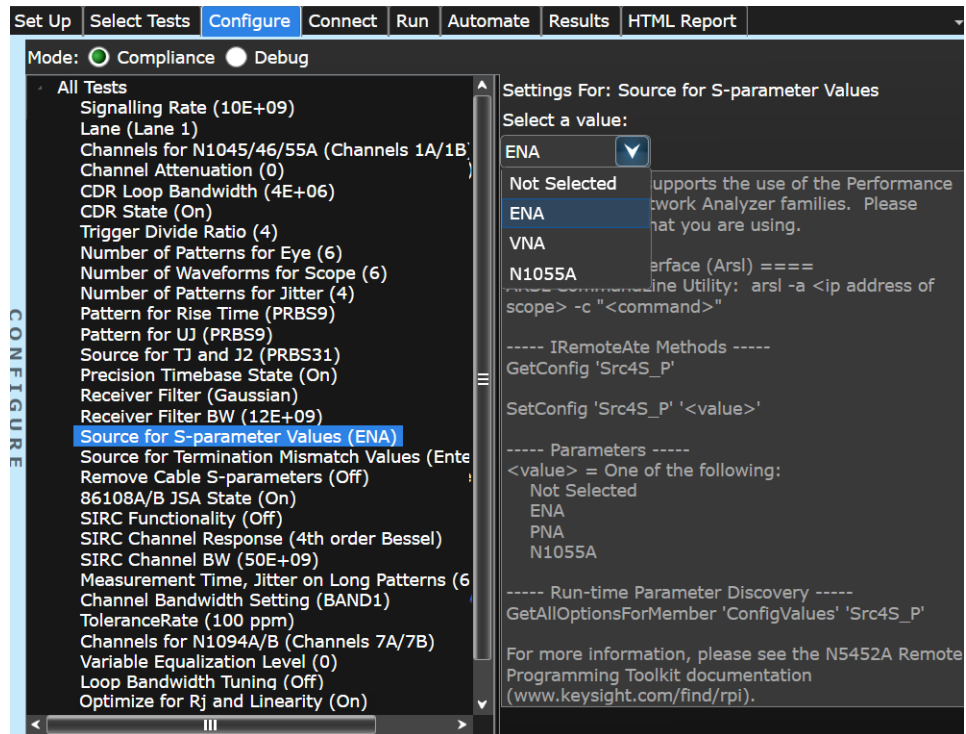


Figure 98 Configuring S-parameter value source

- 4 Select **Source for Termination Mismatch Values** on the left pane.
- 5 Select **ENA** if you are using an ENA. For VNA, select **Enter Manually**.

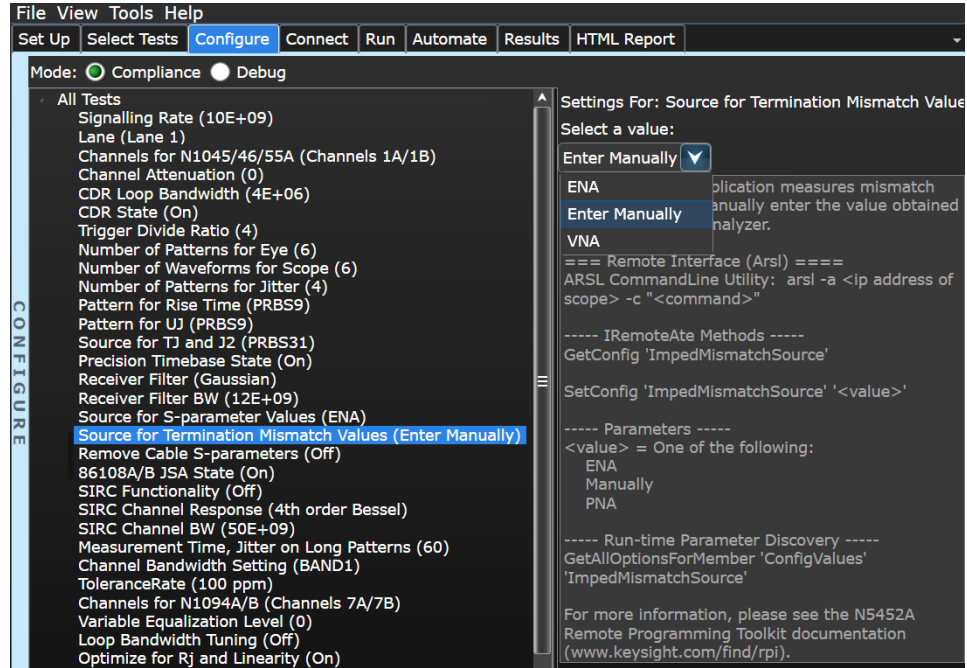


Figure 99 Configuring Termination Mismatch value source

The setup of the N109310CA SFF-8431 Compliance Test Application on the 86100D or N1000A Oscilloscope is now complete. You may begin to select, setup, and run compliance tests. Refer to *Keysight N109310CA SFF-8431 Compliance Test Application Online Help* to understand the functionality of the application to run tests.



## Installing WDP Measurement Script

This step is required before you can perform the following TWDP (Transmitter Waveform Dispersion Penalty) test, which is selected under the “Host Transmitter Output - Cu” tests in the application:

Output TWDPc - Host Cu

This step is also required for the following WDP (Waveform Dispersion Penalty) test, which is selected under the “Host Receiver Stress Generator Signal” tests in the application:

WDP of ISI Gen - Host Stress Gen

- 1 On your PC’s web browser, go to the following site:  
**<https://ta.snia.org/higherlogic/ws/public/documents>**
- 2 On this site, locate and open the **SFF-8431.PDF** file.
- 3 In the document, go to *APPENDIX G MATLAB CODE FOR TWDP*.
- 4 Copy the script and place it in a text editor.
- 5 Comment out line 40 and add a new line after line 40. The two lines should look like the following:  
**%% TXDataFile = ‘prbs9\_950.txt’;**  
**TXDataFile = ‘C:\Temp\XmitBits.csv’;**
- 6 Compile the WDP script file in a 32-bit MATLAB (Version 2009a & above) to create an executable to run on the 86100D or PC.
- 7 Name the executable file **SFF8431xWDP.exe**, and save the file in the following folder:  
C:\Documents and Settings\All Users\Application Data\Keysight\FlexDCA\Apps\N109310CA  
SFF-8431\App\ExternalAppScripts\SFF8431xWDP.exe

