

Keysight 8494/95/96G/H Attenuators



Operating and
Service Manual

Notices

Copyright Notice

© Keysight Technologies 2014 - 2021
No part of this manual may be reproduced in any form or by any means (including electronic storage and retrieval or translation into a foreign language) without prior agreement and written consent from Keysight Technologies as governed by United States and international copyright laws.

Manual Part Number

08495-90025

Edition

Edition 8, October 14, 2021

Printed in:

Printed in Malaysia

Published by:

Keysight Technologies
Bayan Lepas Free Industrial Zone,
11900 Penang, Malaysia

Technology Licenses

The hardware and/or software described in this document are furnished under a license and may be used or copied only in accordance with the terms of such license.

Declaration of Conformity

Declarations of Conformity for this product and for other Keysight products may be downloaded from the Web. Go to <http://www.keysight.com/go/conformity>. You can then search by product number to find the latest Declaration of Conformity.

U.S. Government Rights

The Software is “commercial computer software,” as defined by Federal Acquisition Regulation (“FAR”) 2.101. Pursuant to FAR 12.212 and 27.405-3 and Department of Defense FAR Supplement (“DFARS”) 227.7202, the U.S. government acquires commercial computer software under the same terms by which the software is customarily provided to the public. Accordingly, Keysight provides the Software to U.S. government customers under its standard commercial license, which is embodied in its End User License Agreement (EULA), a copy of which can be found at <http://www.keysight.com/find/sweula>. The license set forth in the EULA represents the exclusive authority by which the U.S. government may use, modify, distribute, or disclose the Software. The EULA and the license set forth therein, does not require or permit, among other things, that Keysight: (1) Furnish technical information related to commercial computer software or commercial computer software documentation that is not customarily provided to the public; or (2) Relinquish to, or otherwise provide, the government rights in excess of these rights customarily provided to the public to use, modify, reproduce, release, perform, display, or disclose commercial computer software or commercial computer software documentation. No additional government requirements beyond those set forth in the EULA shall apply, except to the extent that those terms, rights, or licenses are explicitly required from all providers of commercial computer software pursuant to the FAR and the DFARS and are set forth specifically in writing elsewhere in the EULA. Keysight shall be under no obligation to update, revise or otherwise modify the Software. With respect to any technical data as defined by FAR 2.101, pursuant to FAR 12.211 and 27.404.2 and DFARS 227.7102, the U.S. government acquires no greater than Limited Rights as defined in FAR 27.401 or DFAR 227.7103-5 (c), as applicable in any technical data.

Warranty

THE MATERIAL CONTAINED IN THIS DOCUMENT IS PROVIDED “AS IS,” AND IS SUBJECT TO BEING CHANGED, WITHOUT NOTICE, IN FUTURE EDITIONS. FURTHER, TO THE MAXIMUM EXTENT PERMITTED BY APPLICABLE LAW, KEYSIGHT DISCLAIMS ALL WARRANTIES, EITHER EXPRESS OR IMPLIED, WITH REGARD TO THIS MANUAL AND ANY INFORMATION CONTAINED HEREIN, INCLUDING BUT NOT LIMITED TO THE IMPLIED WARRANTIES OF MERCHANTABILITY AND FITNESS FOR A PARTICULAR PURPOSE. KEYSIGHT SHALL NOT BE LIABLE FOR ERRORS OR FOR INCIDENTAL OR CONSEQUENTIAL DAMAGES IN CONNECTION WITH THE FURNISHING, USE, OR PERFORMANCE OF THIS DOCUMENT OR OF ANY INFORMATION CONTAINED HEREIN. SHOULD KEYSIGHT AND THE USER HAVE A SEPARATE WRITTEN AGREEMENT WITH WARRANTY TERMS COVERING THE MATERIAL IN THIS DOCUMENT THAT CONFLICT WITH THESE TERMS, THE WARRANTY TERMS IN THE SEPARATE AGREEMENT SHALL CONTROL.

Safety Information

CAUTION

A CAUTION notice denotes a hazard. It calls attention to an operating procedure, practice, or the like that, if not correctly performed or adhered to, could result in damage to the product or loss of important data. Do not proceed beyond a CAUTION notice until the indicated conditions are fully understood and met.




WARNING

A WARNING notice denotes a hazard. It calls attention to an operating procedure, practice, or the like that, if not correctly performed or adhered to, could result in personal injury or death. Do not proceed beyond a WARNING notice until the indicated conditions are fully understood and met.

Certification

Keysight Technologies certifies that this product met its published specifications at the time of shipment from the factory. Keysight Technologies further certifies that its calibration measurements are traceable to the United States National Institute of Standards and Technology (NIST, formerly NBS), to the extent allowed by the Institute's calibration facility, and to the calibration facilities of the other International Standards Organization members.

Regulatory Markings

 <p>The CE mark is a registered trademark of the European Community. This CE mark shows that the product complies with all the relevant European Legal Directives.</p>	 <p>The CSA mark is a registered trademark of the Canadian Standards Association.</p>
<p>ICES/NMB-001</p> <p>ICES/NMB-001 indicates that this ISM device complies with the Canadian ICES-001. Cet appareil ISM est conforme a la norme NMB-001 du Canada.</p>	<p>ISM 1-A</p> <p>This text indicates that the instrument is an Industrial Scientific and Medical Group 1 Class A product (CISPER 11, Clause 4).</p>
 <p>This symbol indicates the time period during which no hazardous or toxic substance elements are expected to leak or deteriorate during normal use. Forty years is the expected useful life of the product.</p>	

Waste Electrical and Electronic Equipment (WEEE) Directive

This instrument complies with the WEEE Directive marking requirement. This affixed product label indicates that you must not discard this electrical or electronic product in domestic household waste.

Product category:

With reference to the equipment types in the WEEE directive Annex 1, this instrument is classified as a “Monitoring and Control Instrument” product.

The affixed product label is as shown below.



Do not dispose in domestic household waste.

To return this unwanted instrument, contact your nearest Keysight Service Center, or visit <http://about.keysight.com/en/companyinfo/environment/takeback.shtml> for more information.

Sales and Technical Support

To contact Keysight for sales and technical support, refer to the support links on the following Keysight websites:

- www.keysight.com/find/attenuators
(product-specific information and support, software and documentation updates)
- www.keysight.com/find/assist
(worldwide contact information for repair and service)

Table of Contents

Certification	3
Regulatory Markings	3
Waste Electrical and Electronic Equipment (WEEE) Directive	4
Product category:	4
Sales and Technical Support	4
List of Figures	7
List of Tables	9
1 Introduction	
Product Overview	12
Instrument options	17
Specifications	18
Frequency range and attenuation	18
Attenuation accuracy	18
Maximum SWR	19
Maximum residual attenuation	19
Attenuation repeatability	20
RF power handling capability	20
Solenoid drive	20
Solenoid cable connector	20
Operating life	21
Switching speed	21
2 Environmental Specifications & Physical Dimensions	
Environmental Specifications	24
Physical Dimensions	25
3 Operating Guides	
Installation	28
Initial inspection	28
Mating connectors	29

Installation instructions	29
Operating Instructions	30
Operator's check	30
Performance tests	33
Service instructions	33

List of Figures

Figure 1-1	Typical four-section attenuator schematic diagram	12
Figure 1-2	Typical solenoid coil driver circuits	16
Figure 1-3	Solenoid cable pin configuration	21
Figure 2-1	Dimensions of 8494/95/96G/H attenuators	26
Figure 3-1	Operator's check setup	31

THIS PAGE HAS BEEN INTENTIONALLY LEFT BLANK.

List of Tables

Table 1-1	8494G/H attenuator switching order	13
Table 1-2	8495G/H attenuator switching order	14
Table 1-3	8496G/H attenuator switching order	14
Table 1-4	Instrument options	17
Table 1-5	Frequency range and attenuation	18
Table 1-6	Attenuation accuracy	18
Table 1-7	Maximum SWR	19
Table 1-8	Maximum residual attenuation	19
Table 1-9	Solenoid drive	20
Table 1-10	Solenoid cable connector	20
Table 2-1	Environmental specifications	24
Table 2-2	Physical dimensions	25
Table 3-1	Attenuator and SWR settings	31

THIS PAGE HAS BEEN INTENTIONALLY LEFT BLANK.

1 Introduction

Product Overview	12
Specifications	18

This manual contains operating instructions for the 8494/95/96G/H Attenuators. Included in the manual is information required to install and test these attenuators.

Product Overview

The 8494G/H, 8495G/H, and 8496G/H are 50-ohm coaxial programmable step-attenuators. Each attenuator is composed of three or four attenuator sections connected in cascade. Each section consists of a precision, thin-film attenuator card, a lossless thru-line, and a ganged pair of solenoid-actuated slab line transmission lines. The slab lines are flexed by the solenoid plungers to make contact with either the attenuator card or the thru-line. The slab line contacts are gold plated leaf springs which ensure long life and extremely high repeatability.

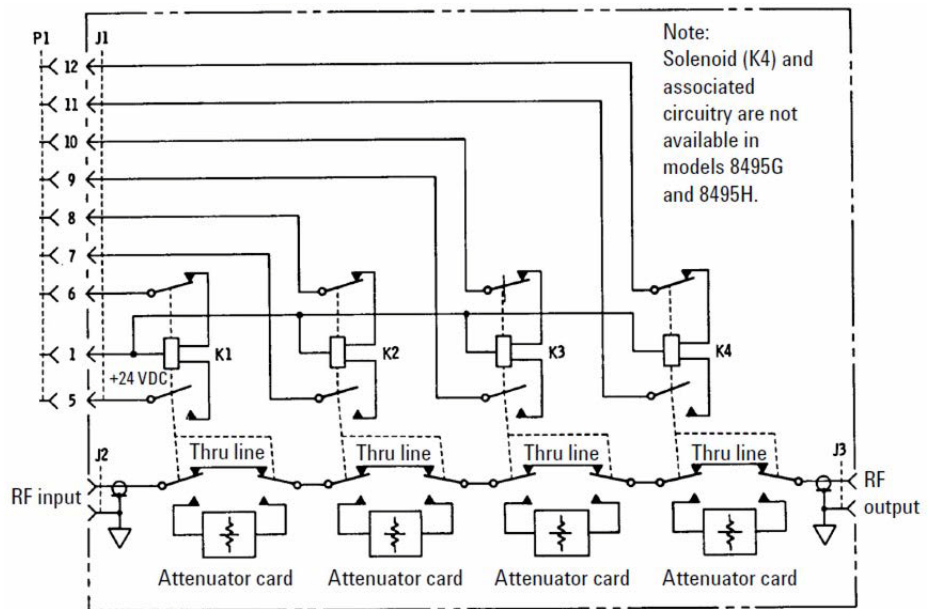


Figure 1-1 Typical four-section attenuator schematic diagram

Table 1-1 on page 13, Table 1-2 on page 14, and Table 1-2 on page 14 show the typical switching arrangement to increase the amount of attenuation in an 8494G/H, 8495G/H, or 8496G/H in a linear manner. To ensure specified performance, it is recommended that the attenuator sections that are shown in the following tables be used. With the attenuator programmed for 0 dB attenuation, the resultant attenuation is the insertion loss (residual attenuation). The 8494G/H has a minimum selectable step of 1 dB, while the 8495G/H and 8496G/H have a minimum selectable step of 10 dB. The accuracy of the attenuators is within the limits given in “Specifications” on page 18.

- The 8494G/H are four-section attenuators with a maximum attenuation of 11 dB.
- The 8495G/H are three-section attenuators with a maximum attenuation of 70 dB.
- The 8496G/H are four-section attenuators with a maximum attenuation of 110 dB.

Table 1-1 8494G/H attenuator switching order

Attenuation (dB)	8494G/H attenuator sections			
	1 1 dB	2 2 dB	3 4 dB	4 4 dB
0				
1	x			
2		x		
3	x	x		
4			x	
5	x		x	
6		x	x	
7	x	x	x	
8			x	x
9	x		x	x
10		x	x	x
11	x	x	x	x

Table 1-2 8495G/H attenuator switching order

8495G/H attenuator sections			
Attenuation (dB)	1 10 dB	2 20 dB	3 40 dB
0			
10	x		
20		x	
30	x	x	
40			x
50	x		x
60		x	x
70	x	x	x

Table 1-3 8496G/H attenuator switching order

8496G/H attenuator sections				
Attenuation (dB)	1 10 dB	2 20 dB	3 40 dB	4 40 dB
0				
10	x			
20		x		
30	x	x		
40			x	
50	x		x	
60		x	x	
70	x	x	x	
80			x	x
90	x		x	x

Table 1-3 8496G/H attenuator switching order (continued)

Attenuation (dB)	8496G/H attenuator sections			
	1 10 dB	2 20 dB	3 30 dB	4 40 dB
100		x	x	x
110	x	x	x	x

Each solenoid requires a drive of 20 V to 30 V with a switching current of approximately 125 mA^[1] at 24 Vdc per section. The solenoid switching time is less than 20 milliseconds including settling time. Once switched, the solenoid plungers are held in place by permanent magnets and the solenoid plungers automatically disconnect the selected coil drive and connect the opposite coil drive (see [Figure 1-1](#) and [Figure 1-2](#)). This simplifies the coil driver circuit design and reduces the amount of heat dissipated by the solenoid coils since the solenoid coils are energized only for the 20 milliseconds switching time.

[1] For serial number prefixes below 1722A, change 125 mA to 110 mA.

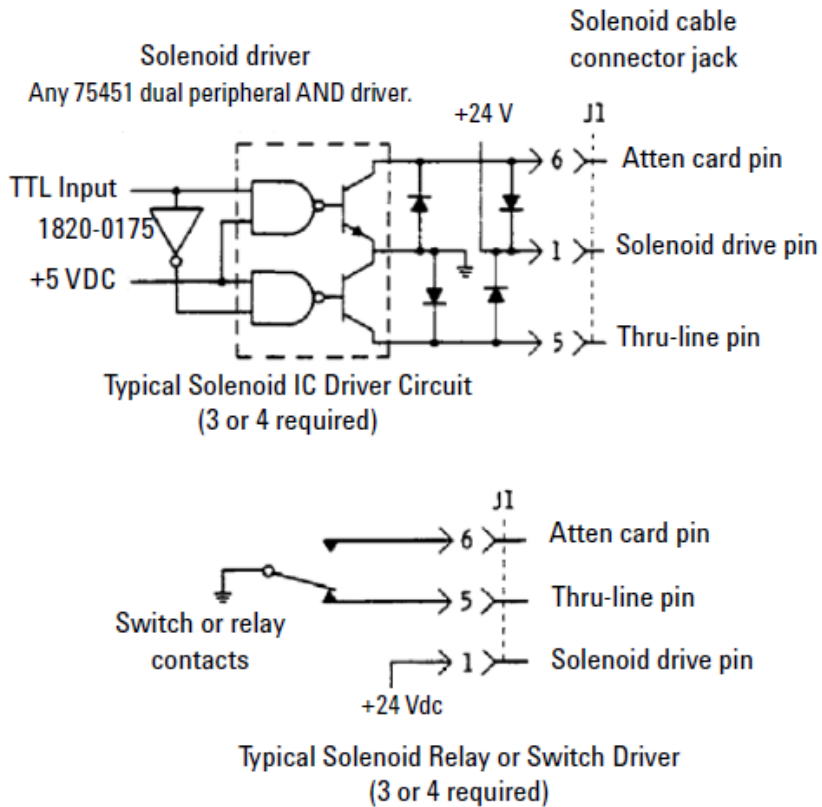


Figure 1-2 Typical solenoid coil driver circuits

CAUTION

Do not exceed the RF power rating of 1 W average or 100 W peak with a maximum pulse width of 10 μ s. Do not connect an attenuator RF input or output connector to greater than ± 7 Vdc. If the attenuator must be connected to a device with a potential greater than ± 7 Vdc, use a blocking capacitor.

Instrument options

Each instrument is specified with an option number which denotes the configuration of the input and output connectors.

Table 1-4 Instrument options

Option	Description
001	Type-N (f) connectors
002	SMA female connectors
003 ^[a]	APC-7 connectors
024 ^[b]	24 Vdc supply voltage
011	5 V operation instead of standard 24 V
016	10-pin connector with 10-pin through to 14-pin dip plug, 16-inch DC ribbon cable
060 ^[b]	Viking connector with Viking bare wire cable

[a] Option 003 is not available on the 8495G.

[b] Option 024 and 060 are default options unless specified otherwise.

Specifications

Frequency range and attenuation

Table 1-5 Frequency range and attenuation

Instrument	Frequency range	Attenuation
8494G	DC to 4 GHz	0 dB to 11 dB in 1 dB steps
8494H	DC to 18 GHz	0 dB to 11 dB in 1 dB steps
8495G	DC to 4 GHz	0 dB to 70 dB in 10 dB steps
8495H	DC to 18 GHz	0 dB to 70 dB in 10 dB steps
8496G	DC to 4 GHz	0 dB to 110 dB in 10 dB steps
8496H	DC to 18 GHz	0 dB to 110 dB in 10 dB steps

Attenuation accuracy

(±dB): (Referenced from 0 dB)

Table 1-6 Attenuation accuracy

8494G/H	8495G/H 8496G/H	8494G	8494H			8495H			8496H		
Attenuation selection (dB)		DC-4 GHz	DC-12.4 GHz	12.4-18 GHz	DC-4 GHz	DC-12.4 GHz	12.4-18 GHz	DC-4 GHz	DC-12.4 GHz	12.4-18 GHz	
1	10	0.2	0.3	0.7	0.2	0.5	0.6	0.2	0.5	0.6	
2	20	0.3	0.3	0.7	0.4	0.7	0.8	0.4	0.7	0.8	
3	30	0.3	0.4	0.7	0.5	0.9	1.2	0.5	0.9	1.2	
4	40	0.3	0.4	0.7	0.7	1.2	1.6	0.7	1.2	1.6	
5	50	0.3	0.5	0.7	0.8	1.5	2.0	0.8	1.5	2.0	
6	60	0.3	0.5	0.8	1.0	1.8	2.4	1.0	1.8	2.4	
7	70	0.4	0.6	0.8	1.2	2.1	2.8	1.2	2.1	2.8	
8	80	0.4	0.6	0.8	-	-	-	1.3	2.4	3.2	

Table 1-6 Attenuation accuracy (continued)

8494G/H	8495G/H 8496G/H	8494G	8494H			8495G			8495H			8496G			8496H		
Attenuation selection (dB)		DC-4 GHz	DC-12.4 GHz	12.4-18 GHz	DC-4 GHz	DC-12.4 GHz	12.4-18 GHz	DC-4 GHz	DC-12.4 GHz	12.4-18 GHz	DC-4 GHz	DC-12.4 GHz	12.4-18 GHz	DC-4 GHz	DC-12.4 GHz	12.4-18 GHz	
9	90	0.4	0.6	0.8	-	-	-	1.5	2.7	3.6							
10	100	0.4	0.6	0.9	-	-	-	1.6	3.0	4.0							
11	110	0.5	0.7	0.9	-	-	-	1.8	3.3	4.4							

Maximum SWR

Table 1-7 Maximum SWR

Instrument	Frequency range (GHz)	Maximum SWR
8495G	DC to 4	1.35
	DC to 8	1.35
8495H	8 to 12.4	1.5
	12.4 to 18	1.7
8494G, 8496G	DC to 4	1.5
	DC to 8	1.5
8494H, 8496H	8 to 12.4	1.6
	12.4 to 18	1.9

Maximum residual attenuation

Table 1-8 Maximum residual attenuation

Instrument	Maximum residual attenuation
8494G, 8494H	0.6 dB + 0.09 dB/GHz
8495G, 8495H	0.4 dB + 0.07 dB/GHz
8496G, 8496H	0.6 dB + 0.09 dB/GHz

Attenuation repeatability

±0.03 dB, typical (5 million cycles per section)

RF power handling capability

1 W average, 100 W peak with maximum pulse width of 10 microseconds (all models).

Solenoid drive

Table 1-9 Solenoid drive

Solenoid	Coil voltage	Switching current ^[a]	Nominal coil impedance
Option 024	24 V (20 to 30 V)	125 mA (at 24 V)	190 Ω
Option 011	5 V (4.5 to 7 V) ^[b]	325 mA (at 5 V)	17 Ω

[a] Switching current is current per section.

[b] For switching multiple sections simultaneously, the minimum voltage is 5.5 V.

Solenoid cable connector

Refer also to [Figure 1-3](#).

Table 1-10 Solenoid cable connector

Section Solenoid coil	Section 1		Section 2		Section 3		Section 4		Power V+
	Thru-line	Atten card	Thru-line	Atten card	Thru-Line	Atten card	Thru-Line	Atten card	
Cable wire color code ^[a]	PUR	YEL	BLK	GRN	ORN	BLU	BRN	WHT	RED
Connector plug pin number ^[b]	5	6	7	8	9	10	11	12	1
8494G/H	0 dB	1 dB	0 dB	2 dB	0 dB	4 dB	0 dB	4 dB	-

Section	Section 1		Section 2		Section 3		Section 4		Power V+
	Solenoid coil	Thru-line	Atten card	Thru-line	Atten card	Thru-line	Atten card	Thru-line	
8495G/H	0 dB	10 dB	0 dB	20 dB	0 dB	40 dB	-	-	-
8496G/H	0 dB	10 dB	0 dB	20 dB	0 dB	40 dB	0 dB	40 dB	-
Option 016 flat pack plug pin number ^[c]	13	2	11	5	3	9	4	10	6

[a] Five-foot cable and mating plug assembly provided.

[b] Pin 1 Common solenoid drive (+24 Vdc).

[c] Pin 6 is common for all coils. Pins 1, 7, 8, 12, and 14 are not used.

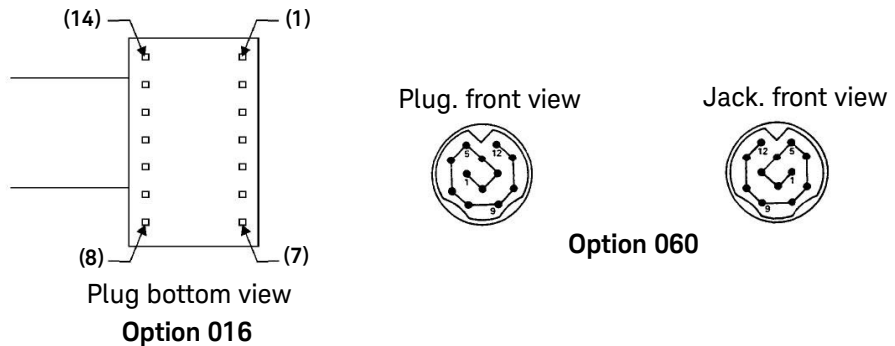


Figure 1-3 Solenoid cable pin configuration

Operating life

5 million cycles per section.

Switching speed

Maximum 20 milliseconds including settling time.

THIS PAGE HAS BEEN INTENTIONALLY LEFT BLANK.

2 Environmental Specifications & Physical Dimensions

Environmental Specifications	24
Physical Dimensions	25

This chapter contains the environmental tests on the 8494/95/96G/H Attenuators that fully comply with Keysight Technologies' product operating environmental specifications. The physical dimensions are illustrated in the later section.

Environmental Specifications

The 8494/95/96G/H Attenuators are designed to fully comply with Keysight Technologies' product operating environmental specifications as shown in [Table 2-1](#).

Table 2-1 Environmental specifications

Characteristic	Value
Temperature	
Operating	0 °C to +55 °C
Storage	-40 °C to +75 °C
Humidity	
Operating	<95% relative
Storage	<95% relative
Altitude	
Operating	<4600 m (15000 ft)
Storage	<7600 m (25000 ft)
Shock	
Operating	10 Gs, six ms, on six sides, three blows
Non-operating	500 Gs, 1.8 ms, in six directions
Vibration	
Operating	5 Gs, 34 Hz to 2000 Hz
EMC	Radiated interference is within the requirements of MIL-STD-461, RE02

Physical Dimensions

Table 12 shows the physical dimensions of the 8494/95/96G/H Attenuators.

Table 2-2 Physical dimensions

Instrument	Dimensions ^[a]	Weight ^[b]
8494G/H	Per Figure 2-1	16 oz
8496G/H		454 g
8495G/H	Per Figure 2-1	12 oz
		340 g

[a] Dimensions are for general information only. If dimensions are required for building special enclosures, contact your Keysight field engineer.

[b] Weight and width of the instrument varies with the option selected due to the type of connectors.

2 Environmental Specifications & Physical Dimensions

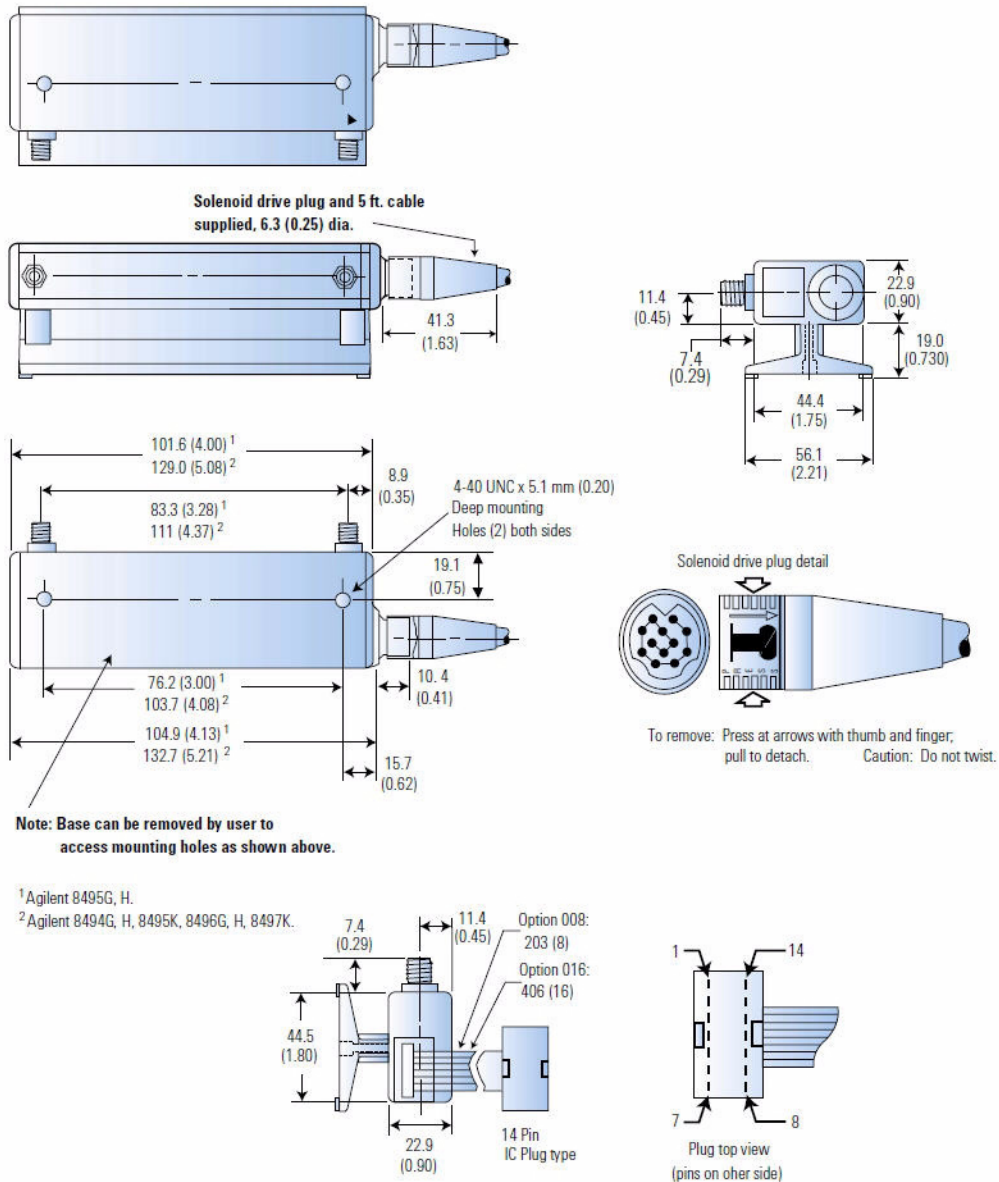


Figure 2-1 Dimensions of 8494/95/96G/H attenuators

3 Operating Guides

Installation	28
Operating Instructions	30

This chapter describes the installation of the 8494/95/96G/H Attenuators. The operating instruction quick-check procedure is included for verification test prior to usage. Service instructions on the repair and maintenance of the 8494/95/96G/H Attenuators are also included in this chapter.

Installation

Initial inspection

- 1** Inspect the shipping container for damage. If the shipping container or cushioning material is damaged, it should be kept until the contents of the shipment have been checked for completeness and the instrument has been checked both mechanically and electrically.
 - Check for mechanical damage such as scratches or dents.
 - Procedures for checking electrical performance are given under “**Operator's check**” on page 30 or “**Performance tests**” on page 33.
- 2** If the contents are incomplete, if there is mechanical damage or defect, or if the instrument does not pass the electrical performance test, contact the nearest Keysight Technologies Sales and Service office. Refer to the Service and Support information in the front matter of this manual. Keysight Technologies will arrange for repair or replacement of the damaged or defective equipment. Keep the shipping materials for the carrier's inspection.
- 3** If you are returning the instrument under warranty or for service, repackaging the instrument requires original shipping containers and materials or their equivalents. Keysight Technologies can provide packaging materials identical to the original materials. Refer to Service and Support information in the front matter of this manual for the Keysight Technologies nearest to you. Attach a tag indicating the type of service required, return address, model number and serial number. Mark the container **FRAGILE** to insure careful handling. In any correspondence, refer to the instrument by model number and serial number.

Mating connectors

Mating RF connectors used with the Option 001 must be type-N male connectors, which comply with U.S. military standard MIL-C-39012. For Option 002, male SMA connectors must be used. For Option 003, 7 mm mating connectors must be used.

CAUTION

When installing the instrument, make sure that the connectors do not support weight or bear torque. The preferred procedure is to set up all equipment in position before connecting the instrument.

Installation instructions

The attenuators may be installed with or without the base. The base is removed by unscrewing the two fillister head screws from the bottom of the base. The attenuator may be mounted without the base by inserting two 4-40 screws into the screw holes in the bottom of the attenuator. Removing the base and mounting the attenuator does not affect the performance of the attenuator.

The solenoid drive cable connector plug is connected to the attenuator by aligning the plug (PI) with the jack (JI) on the attenuator, and then pushing the plug over the jack. The plug is removed by grasping the ribbed sides of the plug and squeezing them together while pulling back until the plug clears the jack.

Operating Instructions

CAUTION

Do not apply RF power greater than 1 W average, or 100 W peak with a maximum pulse width of 10 microseconds. If these limits are exceeded, the attenuators may be damaged.

CAUTION

Do not ground both solenoid drive pins at the same time. This causes rapid cycling of the solenoid and could reduce the operating life of the attenuator. The rapid cycling may produce a buzzing sound from the attenuator.

Either RF connector may be used as the input or output connector. Connect the solenoid drive cable to the solenoid drive connector (J1). By applying the proper voltage and grounds to the proper pins of J1, the attenuator will either increase or decrease the amount of attenuation as selected.

Operator's check

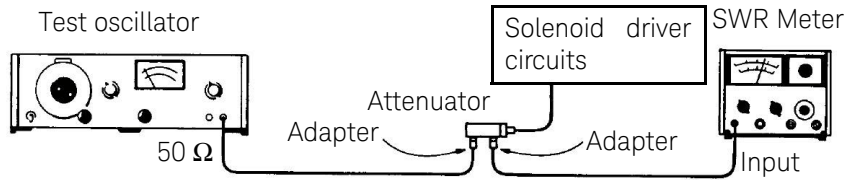
The operator's check is supplied to allow the operator to make a quick check of the instrument prior to use or if a failure is suspected.

Description

The attenuator is driven from a 50-ohm signal source at 1 kHz. The output level from the attenuator is detected by a narrow-bandwidth voltmeter. The attenuator and detector range switches are stepped together and the variations in level noted. This verifies that each attenuator section is being properly switched and checks the low-frequency accuracy of the attenuator.

NOTE

The SWR meter used in this check is calibrated for a square-law detector. Therefore, the range changes and errors (read in dB) are twice that indicated by the meter.


Figure 3-1 Operator's check setup

Procedure

- 1 Connect equipment as shown in [Figure 3-1](#) with the attenuator set to 0 dB attenuation.
- 2 Set the test oscillator to 0.3 Vrms at 1 kHz.
- 3 Set SWR meter range to 2 dB (expanded) [or for the 8494G/H to 10 dB (expanded)] and adjust its bandwidth to the center of the adjustment range. Fine-tune the oscillator frequency to obtain maximum meter indication.
- 4 Set attenuator and SWR meter range switch as listed in [Table](#) and verify that the SWR meter indicates within the limits shown.

Table 3-1 Attenuator and SWR settings

SWR meter range (dB)		Attenuation (dB)			Meter indication (dB)					
					Minimum		Actual		Maximum	
8494G/H	8495G/H 8496G/H	8494G/H	8495G/H	8496G/H	8494G/H	8495G/H 8496G/H	8494G/H	8495G/H 8496G/H	8494G/H	8495G/H 8496G/H
10	2	0	0	0	-	-	Set to 0.0	Set to 0.5	-	-
10	6	1	10	10	0.40	1.40	-	-	0.60	1.60
10	12	2	20	20	0.90	0.30	-	-	1.10	0.70
10	16	3	30	30	1.35	1.25	-	-	1.65	1.75
10 ^[a]	22	4	40	40	1.85	0.15	-	-	2.15	0.85
12	26	5	50	50	0.35	1.10	-	-	0.65	1.90
12	32	6	60	60	0.85	0.00	-	-	1.15	1.00

Table 3-1 Attenuator and SWR settings (continued)

SWR meter range (dB)		Attenuation (dB)			Meter indication (dB)					
					Minimum		Actual		Maximum	
8494G/H	8495G/H 8496G/H	8494G/H	8495G/H	8496G/H	8494G/H	8495G/H 8496G/H	8494G/H	8495G/H 8496G/H	8494G/H	8495G/H 8496G/H
12	36 ^[a]	7	70	70	1.30	0.90	-	-	1.70	2.10
12 ^[a]	42 ^[a]	8	-	80	1.80	-0.15	-	-	2.20	1.15
14	46 ^[a]	9	-	90	0.30	0.75	-	-	0.70	2.25
14	52 ^[a]	10	-	100	0.80	-0.30	-	-	1.20	1.30
14	56 ^[a]	11	-	110	1.75	0.60	-	-	1.75	2.40

[a] Adjust range by 2 dB, if needed, to obtain an on-scale indication

Performance tests

The 8494/95/96G/H Attenuators can be tested to the accuracy of the specifications with a network analyzer or equivalent equipment of suitable accuracy. If a network analyzer is available, test instrument using the procedure in the analyzer's operating manual.

Service instructions

Service

The 8494/95/96G/H does not have internal adjustments and should not be opened; it should only be repaired by service-trained personnel. Should it become necessary to return the 8494/95/96G/H for repair or service, contact your nearest Keysight Sales and Service Center. Refer to **"Sales and Technical Support"** on page 4 of this manual.

Maintenance

The connectors, particularly the connector faces, must be kept clean. For instruction on connecting and care of your connectors, refer to the *Microwave Connector Care Quick Reference Card* (08510-90360).

THIS PAGE HAS BEEN INTENTIONALLY LEFT BLANK.



This information is subject to change without notice. Always refer to the English version at the Keysight website for the latest revision.

© Keysight Technologies 2014 - 2021
Edition 8, October 14, 2021

Printed in Malaysia



08495-90025

www.keysight.com